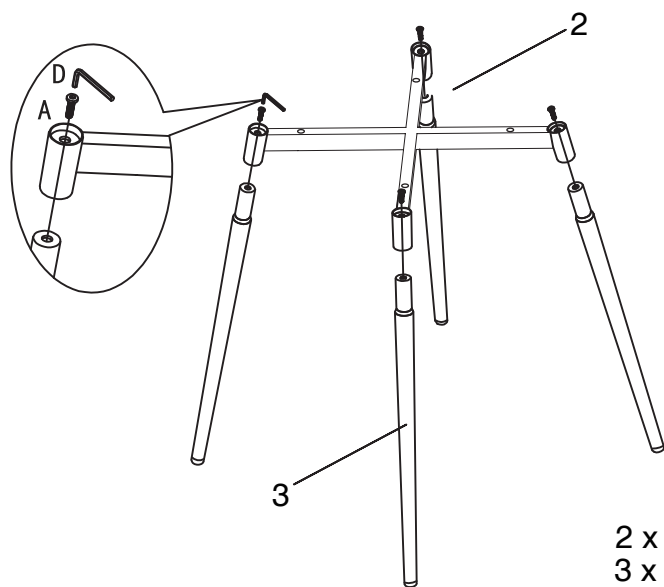


ASSEMBLY INSTRUCTIONS

B0502a

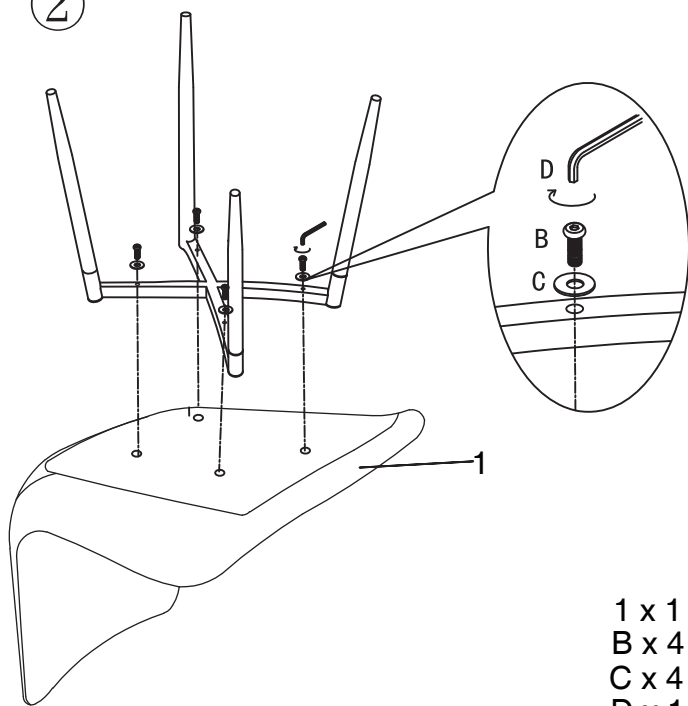


①



2 x 1
3 x 4
A x 4
D x 1

②



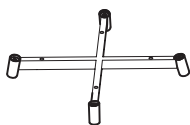
1 x 1
B x 4
C x 4
D x 1

1



1x

2



1x

3



4x

A



M8x35mm
4x

B



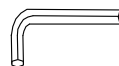
M6x40mm
4x

C



6x14x1mm
4x

D



1x