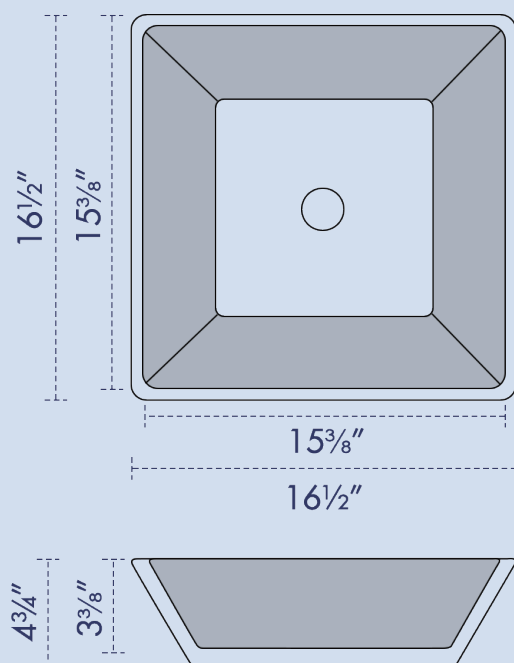




SPECIFICATIONS

- Dimensions: 16½"L x 16½"W x 4¾"H
- Inner dim: 15⅜"L x 15⅜"W x 3⅜"H
- Net weight: 18.2 lbs



FEATURES

- Solid vitreous china construction
- Glazed, non-porous finish
- Easy-to-clean, maintenance-free design
- Splash-proof depth
- Standard 1¾" drain hole
- Without overflow

INSTALLATION

- Countertop

PARTS INCLUDED

- Sink: ERI-VB-014

COLORS & FINISHES

- White