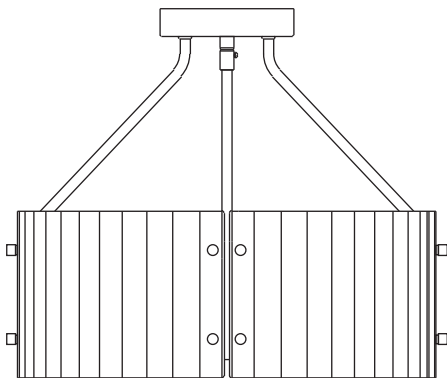


Ceiling Lights

[Instruction Manual]



Please pay attention to the warning signs
Read the instructions with caution before operating
and keep it properly

Warning:

Risk of fire. Min 167°F/75°C supply conductors. Consult a qualified electrician to ensure correct installation. Before installation, please turn off the main power of the circuit breaker to prevent possible electric shock.

Installation Instructions

FIG.1. Turn the wall switch to the "OFF" position. Depending on which type of fuse box in your home:

FIG.2. Either turn the main (Master) switch to the "OFF" position to cut off the power supply of the entire home, or turn off the individual switch that supplies power to where the fixture will be installed.

OR

FIG.3. Either turn the main (Master) switch to the "OFF" position to cut off the power supply of the entire home, or unscrew the fuse that supplies power to where the fixture will be installed.

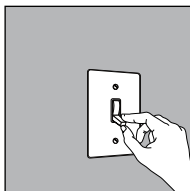


FIG.1 WALL SWITCH

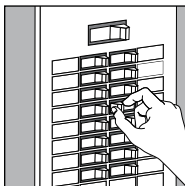


FIG.2 BREAKER PANEL

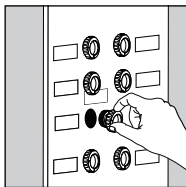
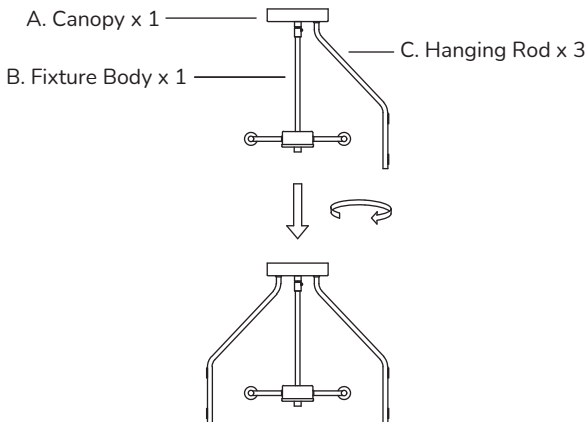









FIG.3 FUSE BOX

PACKING LIST

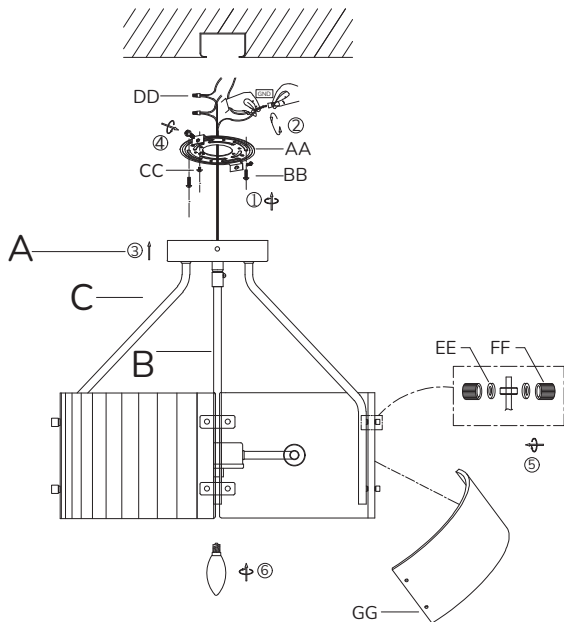


INSTALLATION KIT

AA	x1	BB	x2	CC	x1	DD	x3
							
Mounting Bracket		Outlet Box Screw		Ground Screw		Wire Nut	
EE	x24	FF	x24	GG	x3		
							
Silicon Washer		Knurled Screw		Glass Shade			

1. Silicon Washer (EE) have some extra pieces for back-up.
2. Ground Screw (CC) have been pre-installed on Mounting Bracket (AA).

INSTALLATION



Step 1:

Take off the screws from the outlet box, and secure the Mounting Bracket (AA) onto the box with the screws taken off or Outlet Box Screw (BB).

Step 2:

1. Wrap the ground wire from the outlet box around the Ground Screw (CC) on the Mounting Bracket (AA), and then connect the ground wire from the fixture to the ground wire from the outlet box.

2. Connect the wires from the fixture to the house supply wires, neutral wire (white) to neutral wire, and hot wire (black) to hot wire.

3. Spread apart the wires so that the hot wires are on one side of the outlet box and the neutral wires are on the other side.

Step 3-4:

1.The lamp body should be facing upwards and aligned with the Mounting Bracket (AA) socket position.

2.Fix Canopy (A) to Mounting Bracket (AA) using Mounting Bracket

Step 5:

Use Knurled Screw (FF) to secure the glass to the I-beam, and apply Silicon Washer (EE) to both the inside and outside surfaces of the Glass (GG).

Septs 6:

E12 Bulbs X 3

(Max 40W each, not included)

Specifications

- Input Voltage: 120VAC 60Hz
- Max.load Power: Incandescent Bulb 40w
- Socket Type: Standard Medium E12

One Year Limited Warranty

Supported by our professional team, we provide One Year Warranty for materials and workmanship from the purchase date. Please note that the warranty does not cover damage caused by personal misuse or improper installation.

Please attach your Order ID and Name so that our dedicated customer service team can help you better.



Made in China