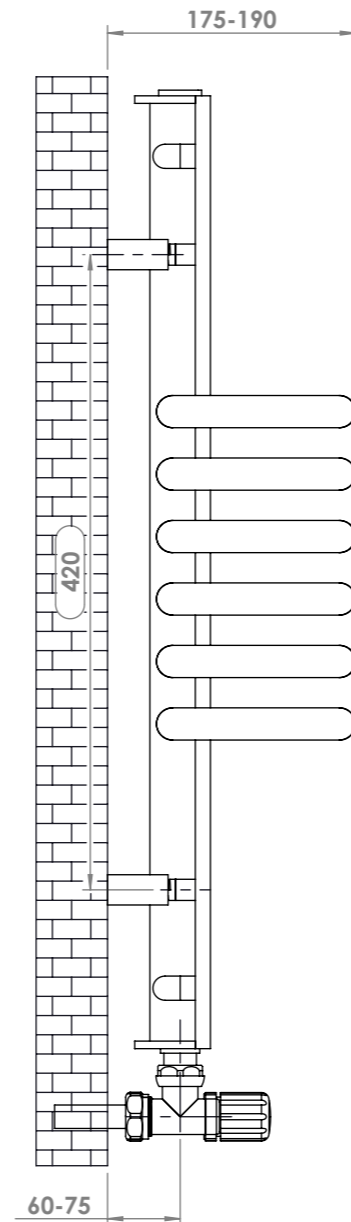
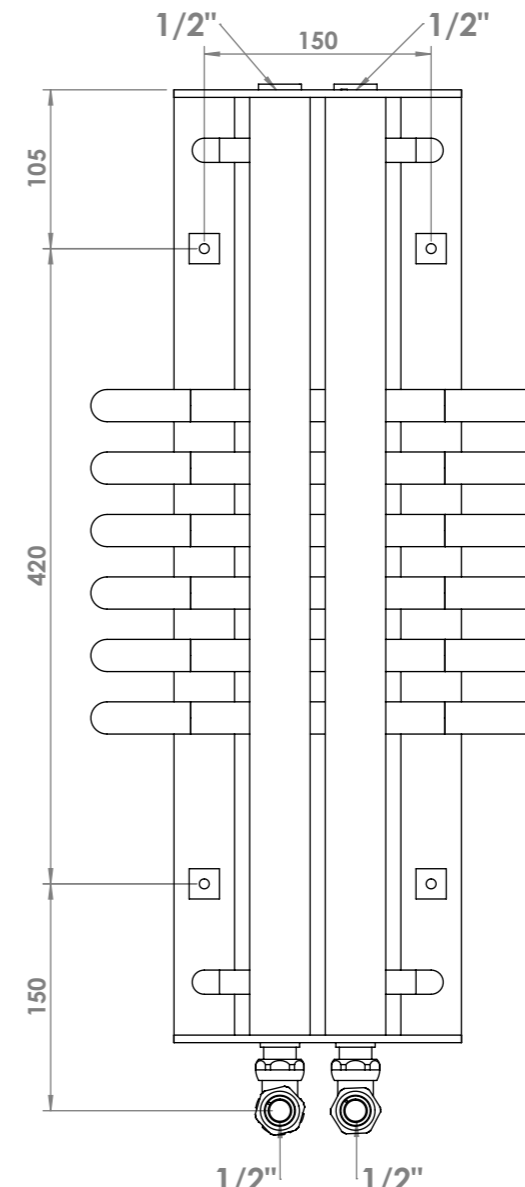


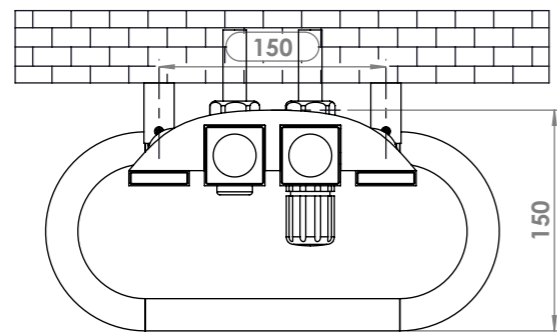
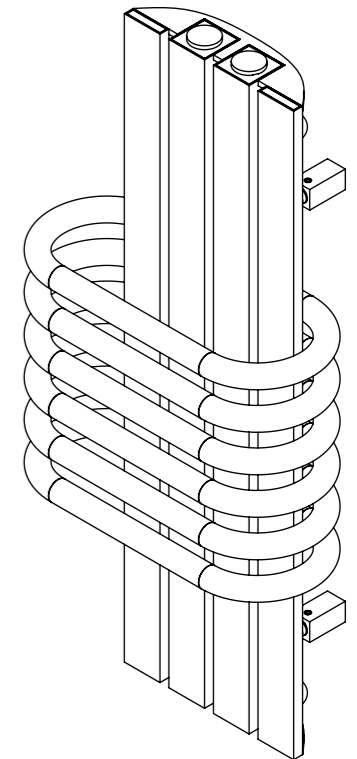
Front View



Side View



Back View

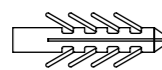


Top View

Installation Accesories:



x4



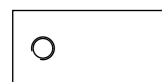
x4



x4



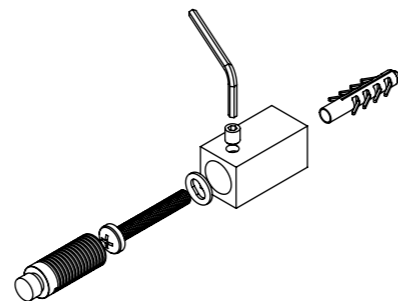
x4



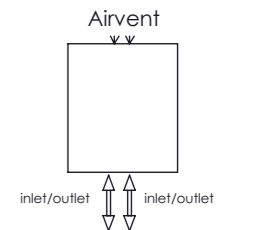
x4



x1



Fitting Position:



All Dimension are in mm
 Max.Working Pressure = 10 Bar
 Max.Working Temperature=95° C
 Inlet / Outlet : 1/2" BSP