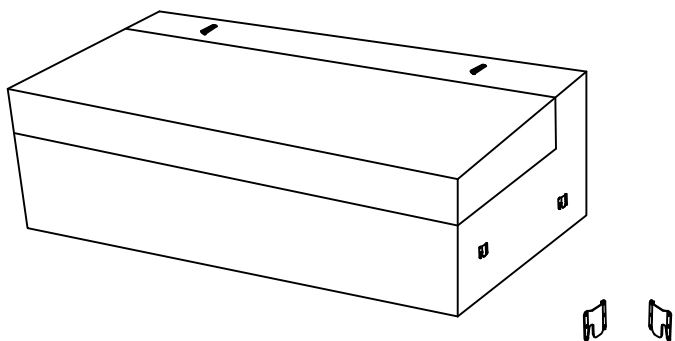


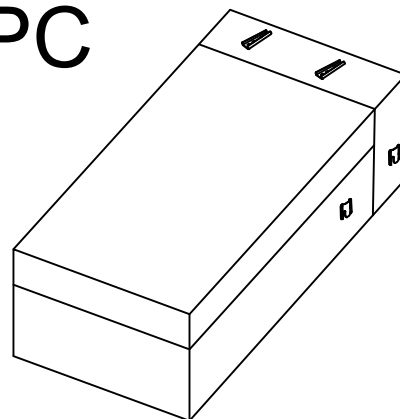
Assembly instruction

MODEL:C2004U

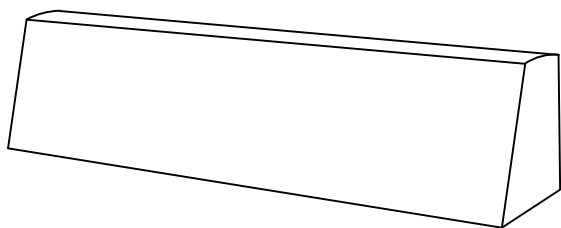
A×1PC



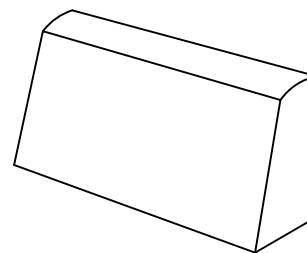
B×2PC



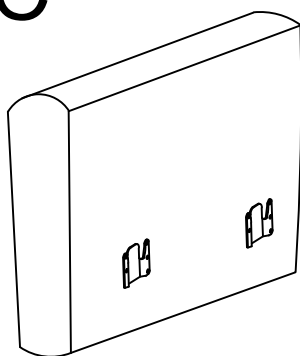
C×1PC



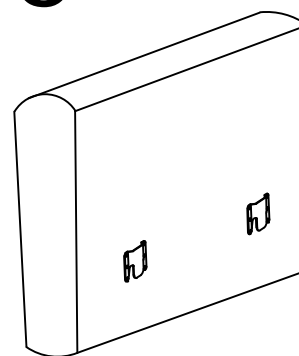
D×2PC



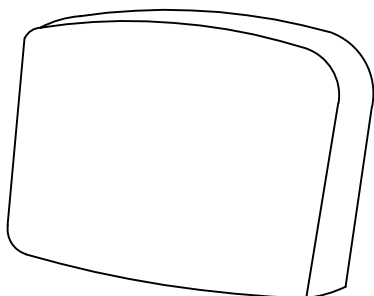
E×1PC



F×1PC



G×4PCS

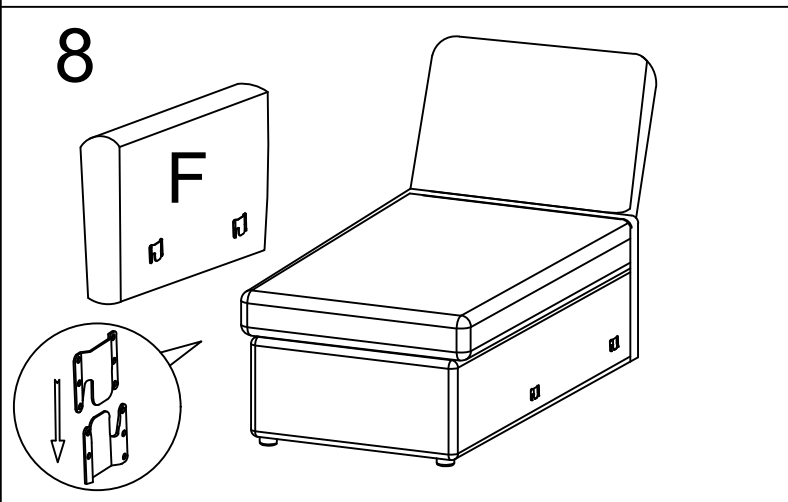
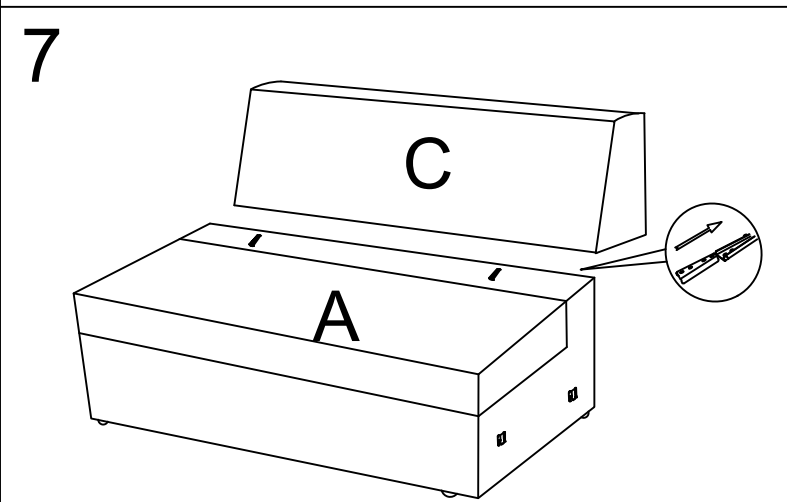
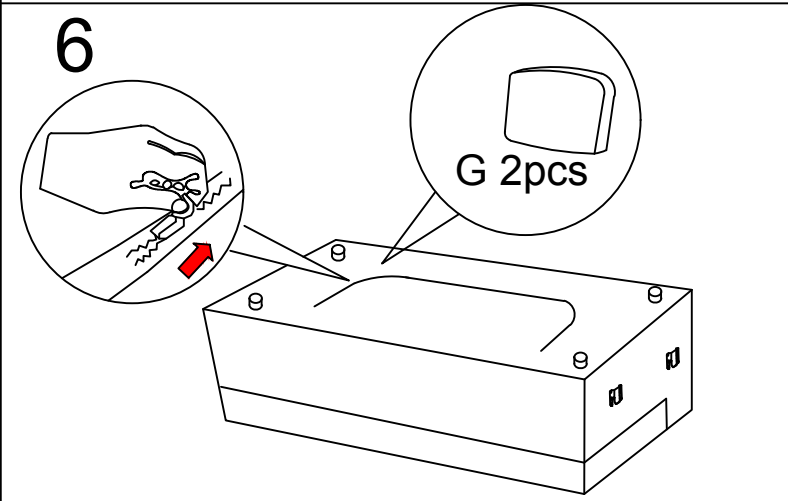
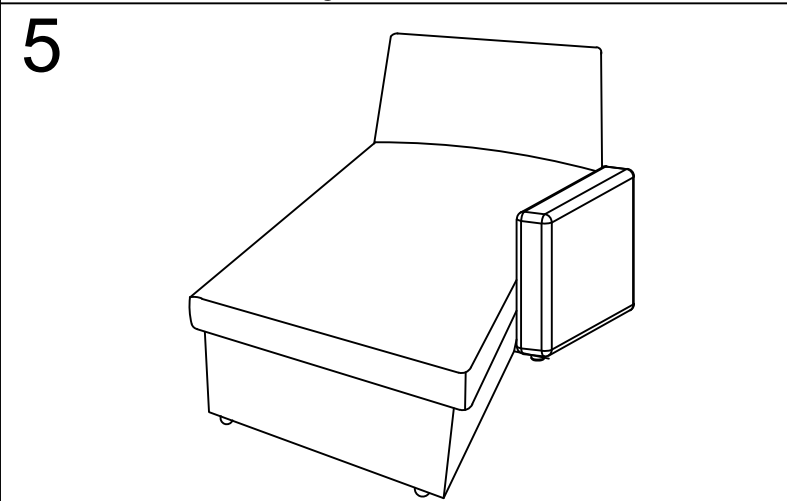
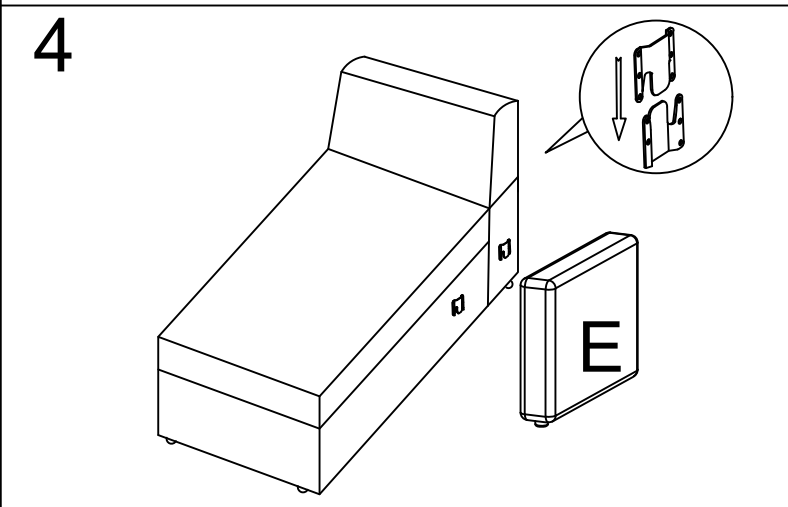
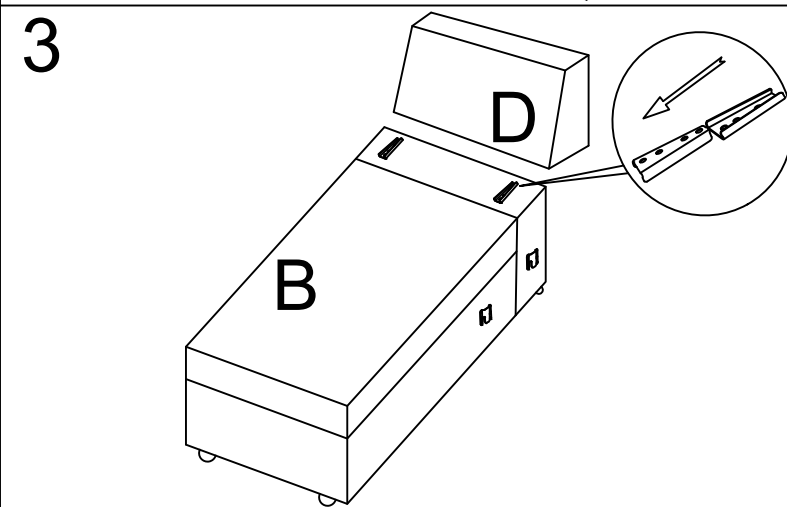
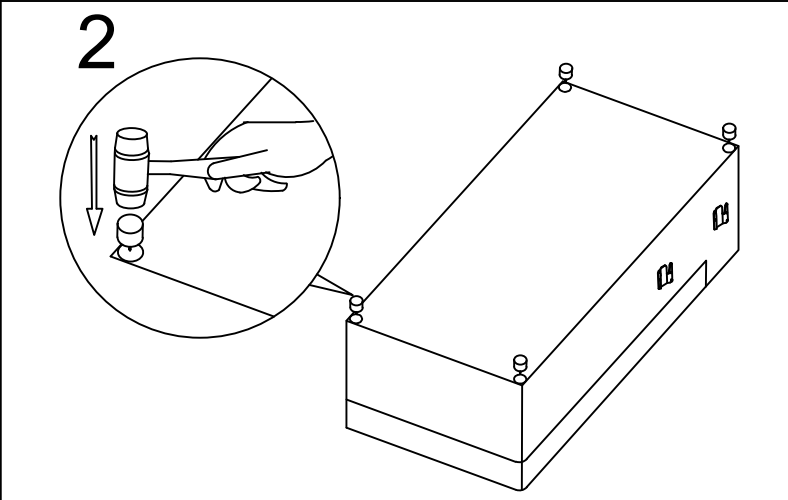
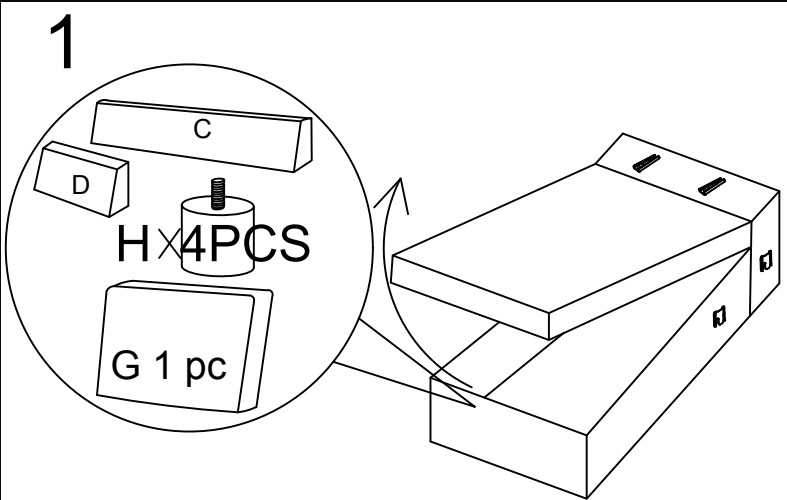


H×8PCS



Assembly instruction

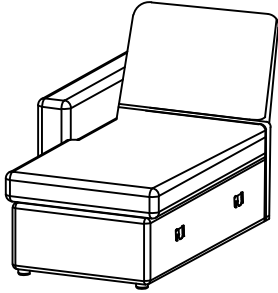
MODEL:C2004U



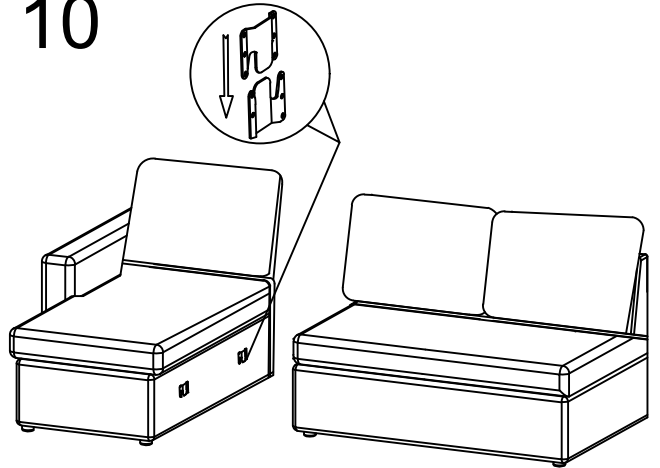
Assembly instruction

MODEL:C2004U

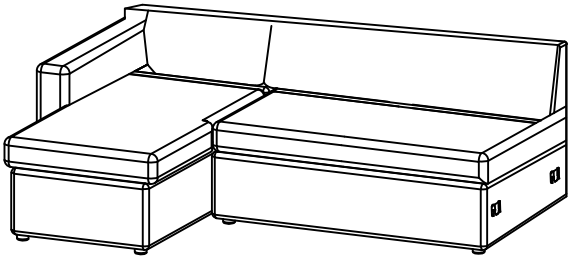
9



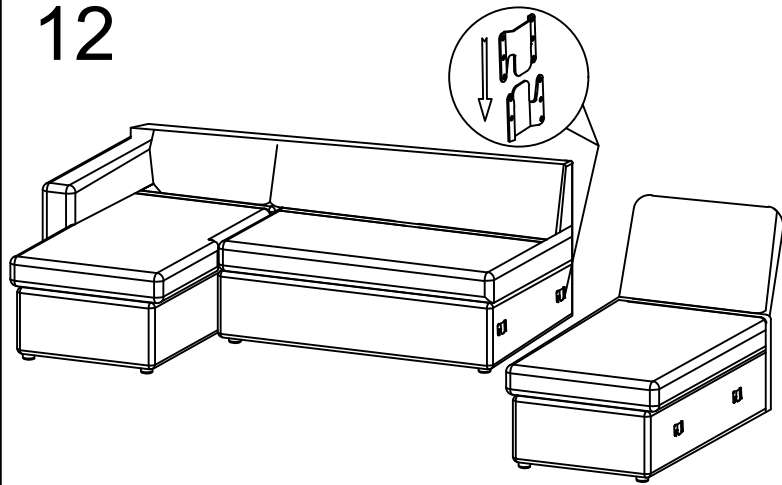
10



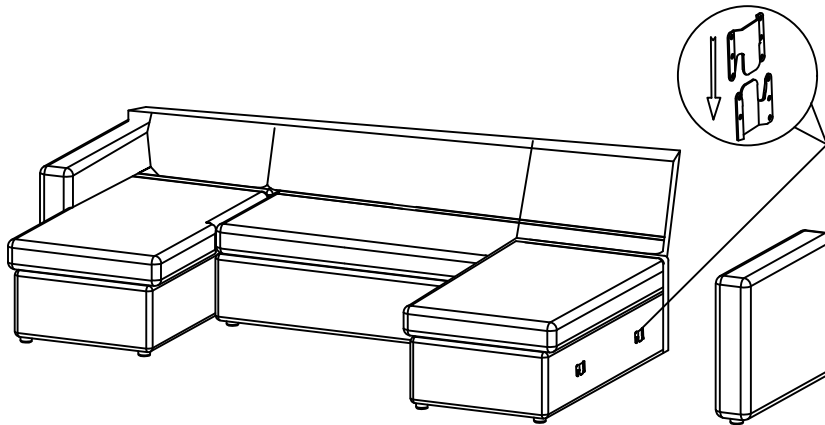
11



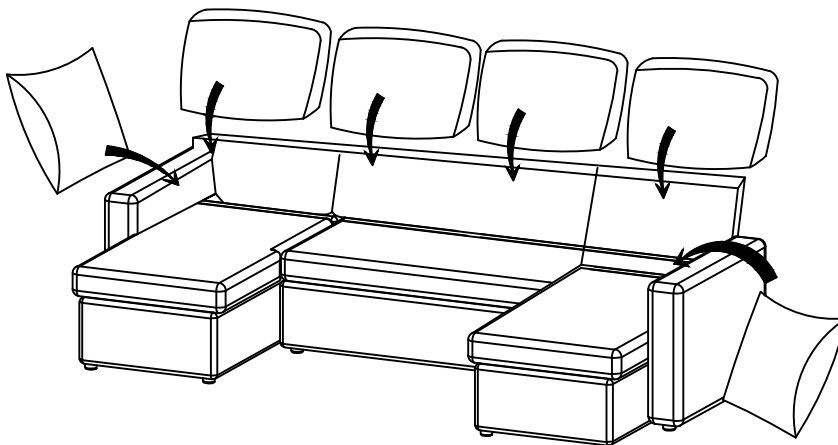
12



13



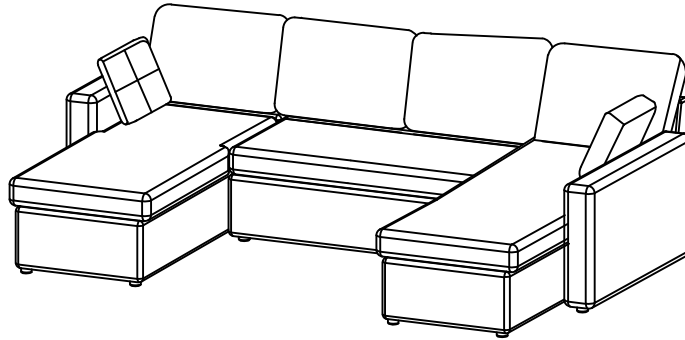
14



Assembly instruction

MODEL:C2004U

15



16

