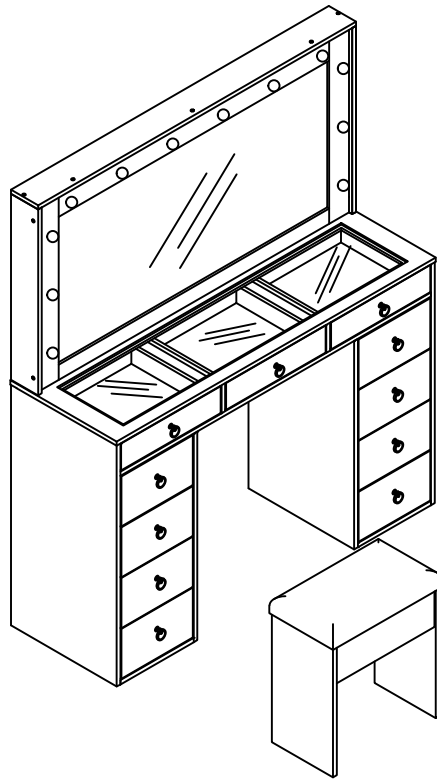


DRESSING TABLE WITH LIGHTS

ASSEMBLY INSTRUCTIONS

Made In Vietnam

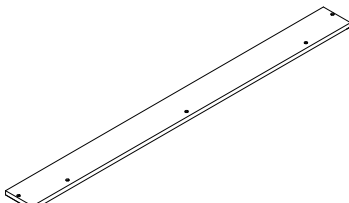
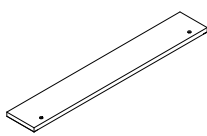
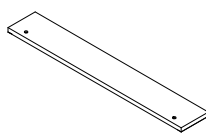
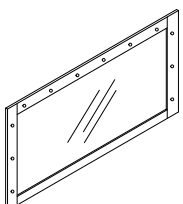
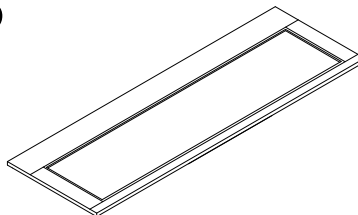
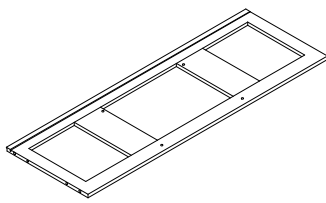
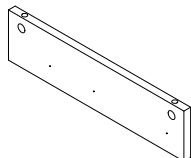
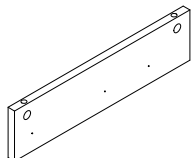
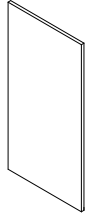
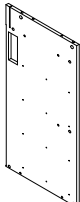
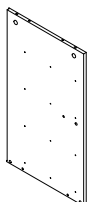
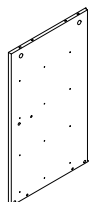


Thank you for purchasing this quality product. Be sure to check all packing material carefully for small parts, which may have come loose inside the carton during shipment. Count all parts and material hardware, then compare with parts list to be sure all parts are present. If any parts are missing or damaged, phone, fax, or mail to our Customer Service Department for efficient and speedy service. Please indicate the model number and code letter of part(s) needed.

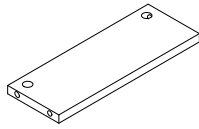
NOTE: In order to prevent damage during assembly, please assemble this item with at least two people.

IMPORTANT NOTE: Follow instructions listed below in proper sequence as numbered to assure fast, easy and correct assembly.

## PARTS LIST

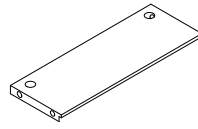
<b>1</b>	<b>2</b>	<b>3</b>
		
TOP PANEL-1PC	TOP LEFT PANEL-1PC	TOP RIGHT PANEL-1PC
<b>4</b>	<b>5</b>	<b>6</b>
		
MIRROR FRAME-1PC	TOP FRAME-1PC	BOTTOM FRAME-1PC
<b>7</b>	<b>8</b>	<b>9</b>
		
FIXED LEFT PANEL-1PC	FIXED RIGHT PANEL-1PC	LEFT SIDE PANEL-1PC
<b>10</b>	<b>11</b>	<b>12</b>
		
RIGHT SIDE PANEL-1PC	LEFT STAND PANEL-1PC	RIGHT STAND PANEL-1PC

13



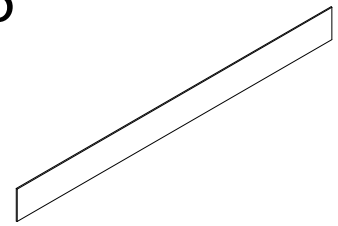
FRONT RAIL-4PCS

14



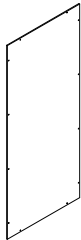
BACK RAIL-2PCS

15



UPPER BACK PANEL-1PC

16



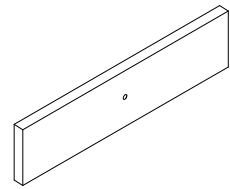
LEFT BACK PANEL-1PC

17



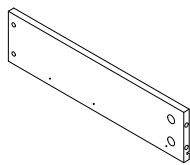
RIGHT BACK PANEL-1PC

18



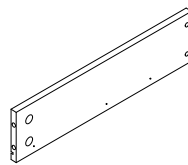
DRAWER FRONT PANEL-3PCS

19



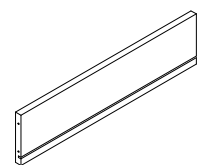
DRAWER LEFT PANEL-3PCS

20



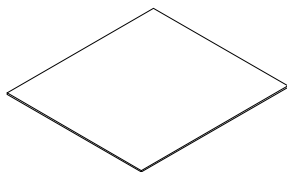
DRAWER RIGHT PANEL-3PCS

21



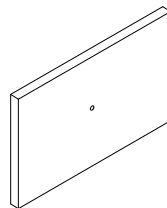
DRAWER BACK PANEL-3PCS

22



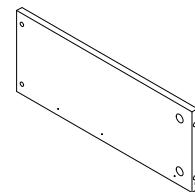
DRAWER BOTTOM PANEL-3PCS

23



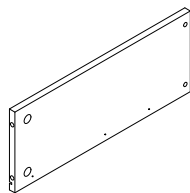
DRAWER FRONT PANEL-8PCS

24



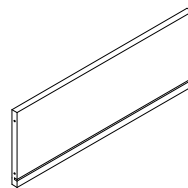
DRAWER LEFT PANEL-8PCS

25



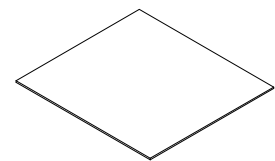
DRAWER RIGHT PANEL-8PCS

26



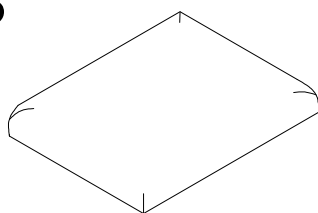
DRAWER BACK PANEL-8PCS

27



DRAWER BOTTOM PANEL-8PCS

28



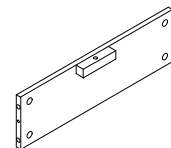
SEAT FRAME-1PC

29



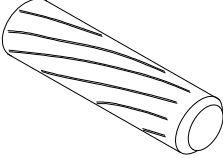
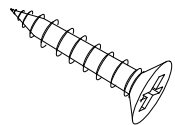
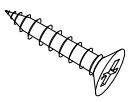
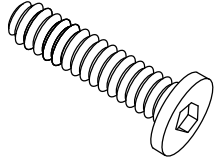
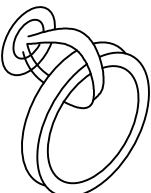
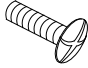
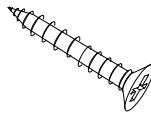
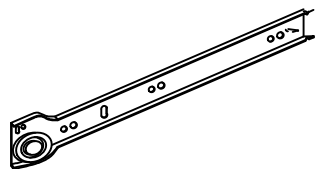
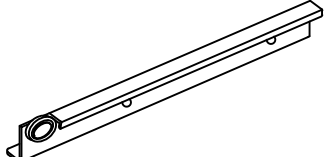
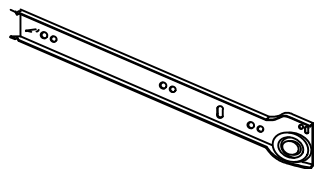
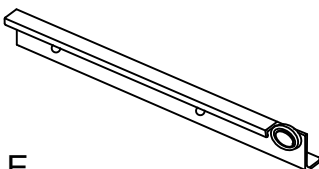


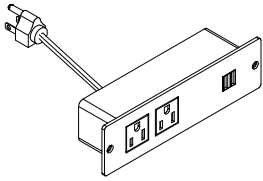
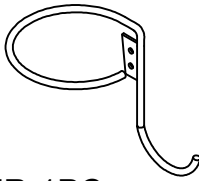
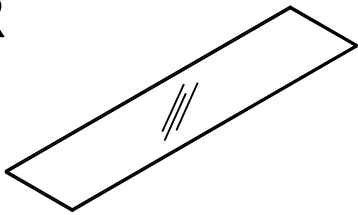
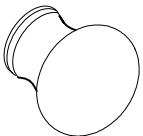
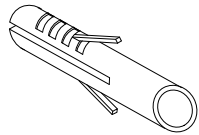
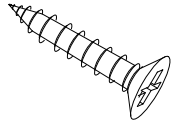


CHAIR SIDE PANEL-2PCS

30

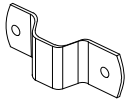


CHAIR FRONT/BACK PANEL-2PCS

<p><b>A</b></p>  <p>CAM-BOLTS - 36PCS</p>	<p><b>B</b></p>  <p>CAM-LOCKS-36PCS</p>	<p><b>C</b></p>  <p>DOWELS-46PCS</p>
<p><b>D</b> <span style="float: right;">Ø8*30mm</span></p>  <p>SCREWS - 18PCS</p>	<p><b>E</b> <span style="float: right;">Ø6*12mm</span></p>  <p>SCREWS - 184PCS</p>	<p><b>F</b></p>  <p>BOLTS - 4PCS</p>
<p><b>G</b></p>  <p>KNOB - 11PCS</p>	<p><b>H</b></p>  <p>BOLT - 11PCS</p>	<p><b>I</b> <span style="float: right;">Ø6*25mm</span></p>  <p>SCREW - 44PCS</p>
<p><b>J</b></p>  <p>FEMALE SLIDING LEFT-11PCS</p>	<p><b>K</b></p>  <p>MALE SLIDING LEFT-11PCS</p>	<p><b>L</b></p>  <p>FEMALE SLIDING RIGHT-11PCS</p>
<p><b>M</b></p>  <p>MALE SLIDING RIGHT-11PCS</p>	<p><b>N</b></p>  <p>SMALL CAM-BOLTS - 44PCS</p>	<p><b>O</b></p>  <p>SMALL CAM-LOCKS - 44PCS</p>
<p><b>P</b></p>  <p>SOCKET-1PC</p>	<p><b>Q</b></p>  <p>HANGER-1PC</p>	<p><b>R</b></p>  <p>GLASS-1PC</p>
<p><b>T</b></p>  <p>LED LIGHT - 12PCS</p>	<p><b>U</b></p>  <p>ANCHORS-4PCS</p>	<p><b>V</b> <span style="float: right;">Ø8*38mm</span></p>  <p>SCREW</p>

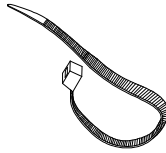
**NOTE: THE SURFACE WITH THE STICKER IS THE BACK SIDE.**

**W**



HOOKS-4PCS

**X**



PLASTIC BELTS-2PCS

**Y**



ALLEN WRENCH-1PC

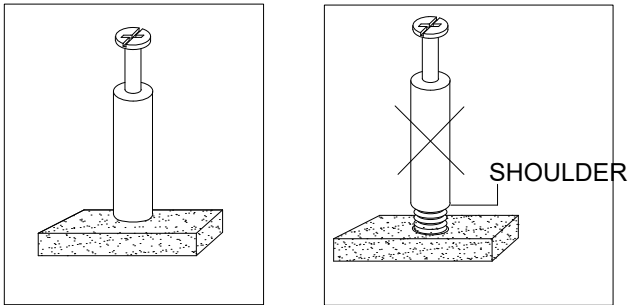
**Z**



CAM TOOL-1PC

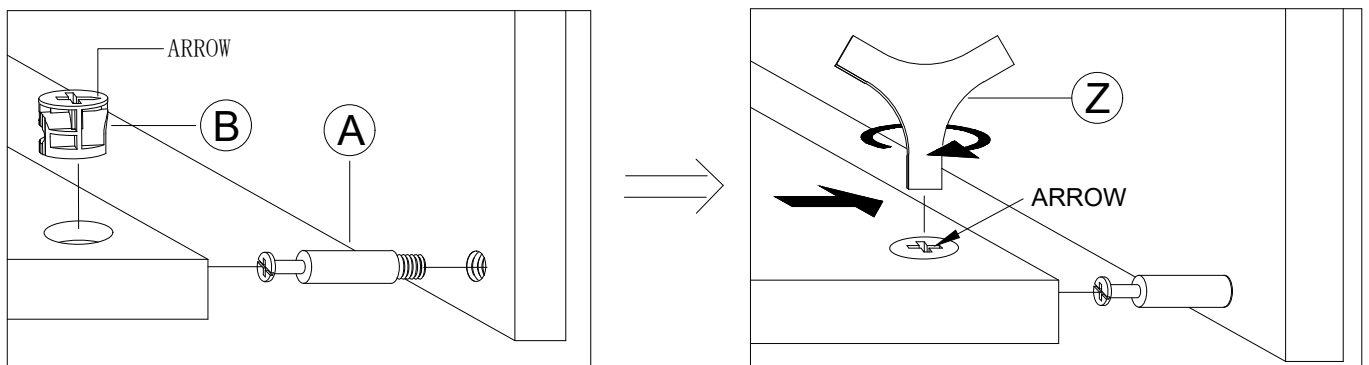
**NOTE: THE SURFACE WITH THE STICKER IS THE BACK SIDE.**

NOTE: ● UPON OPENING, THOROUGHLY CLEAN ALL WOOD SURFACES TO REMOVE DUST AND DIRT THAT MAY HAVE SETTLED ONTO FINISH DURING SHIPMENT. IN ORDER TO PREVENT DAMAGE DURING ASSEMBLY, PLEASE ASSEMBLE THIS ITEM WITH AT LEAST TWO PEOPLE.

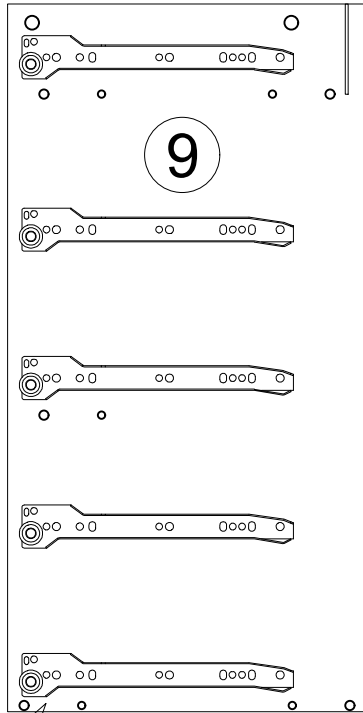


NOTE: TURN THE CAM-BOLT SCREWS UNTIL THEY ARE TIGHT, THE SHOULDER SHOULD BE AGAINST THE SURFACE OF THE PART.

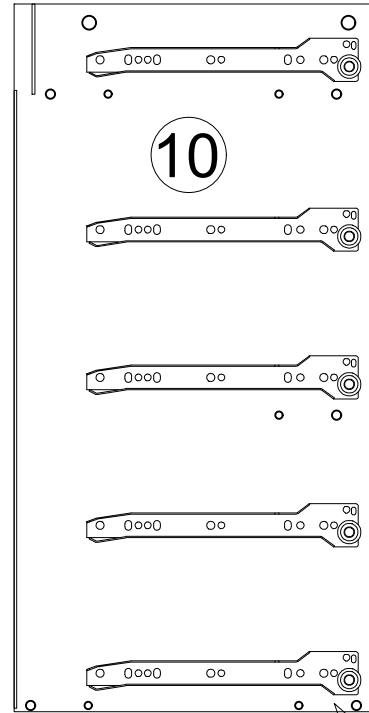
## HOW TO USE THE CAM-TOOL



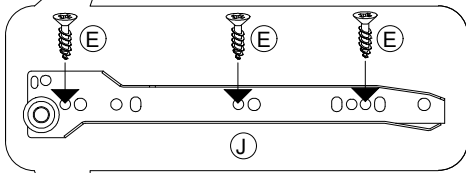
NOTE: ● THE ARROWS ON THE HIDDEN CAM-LOCKS SHOULD POINT TO THE CAM-BOLTS



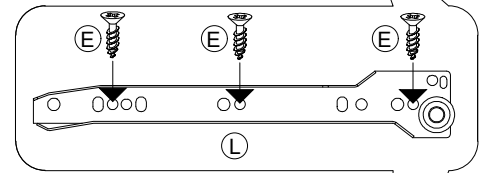
9



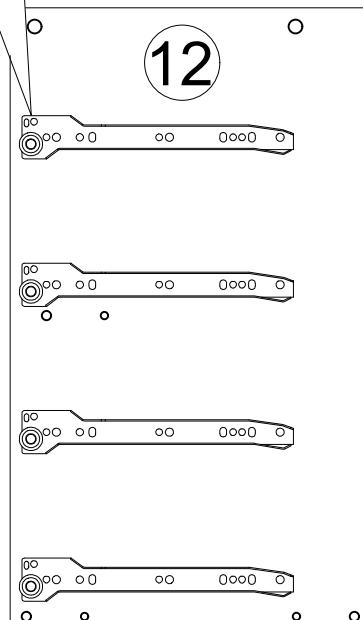
10



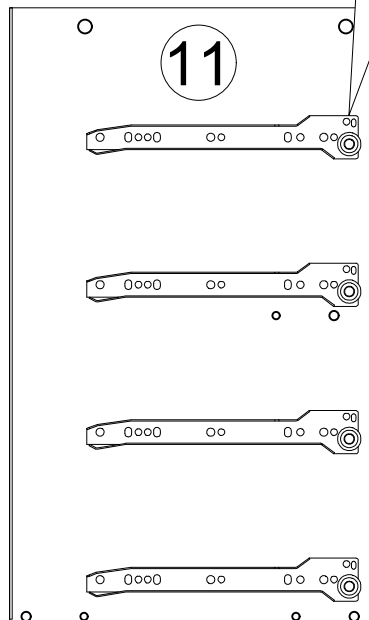
J



L



12

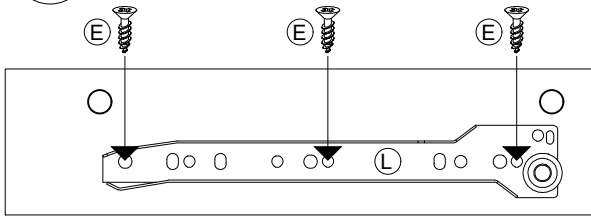


11

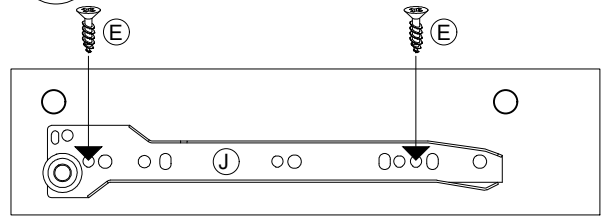
**1).ASSEMBLE THE FEMALE SLIDING (J/L)**

- PLACE THE FEMALE SLIDING (J/L) INTO THE HOLES IN THE PANEL (9/10/11/12) AND ATTACH USING 54 SCREW (E).

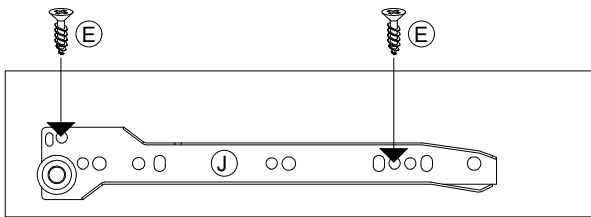
## 7 LEFT SIDE



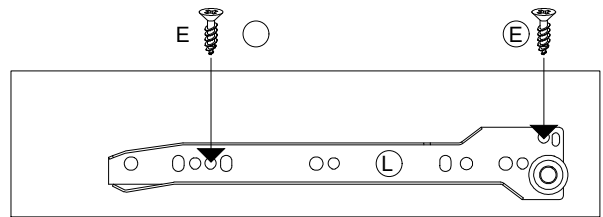
## 8 RIGHT SIDE



## 7 RIGHT SIDE

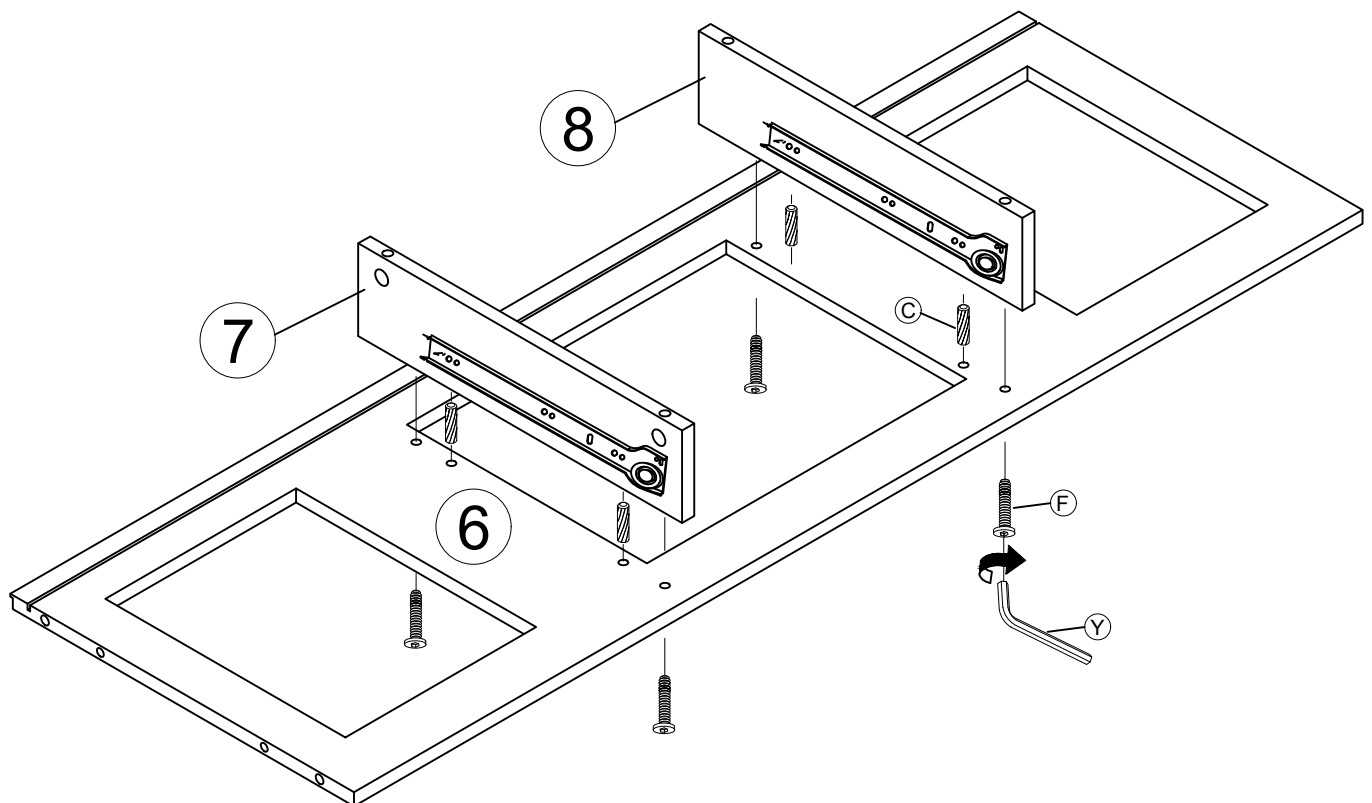


## 8 LEFT SIDE



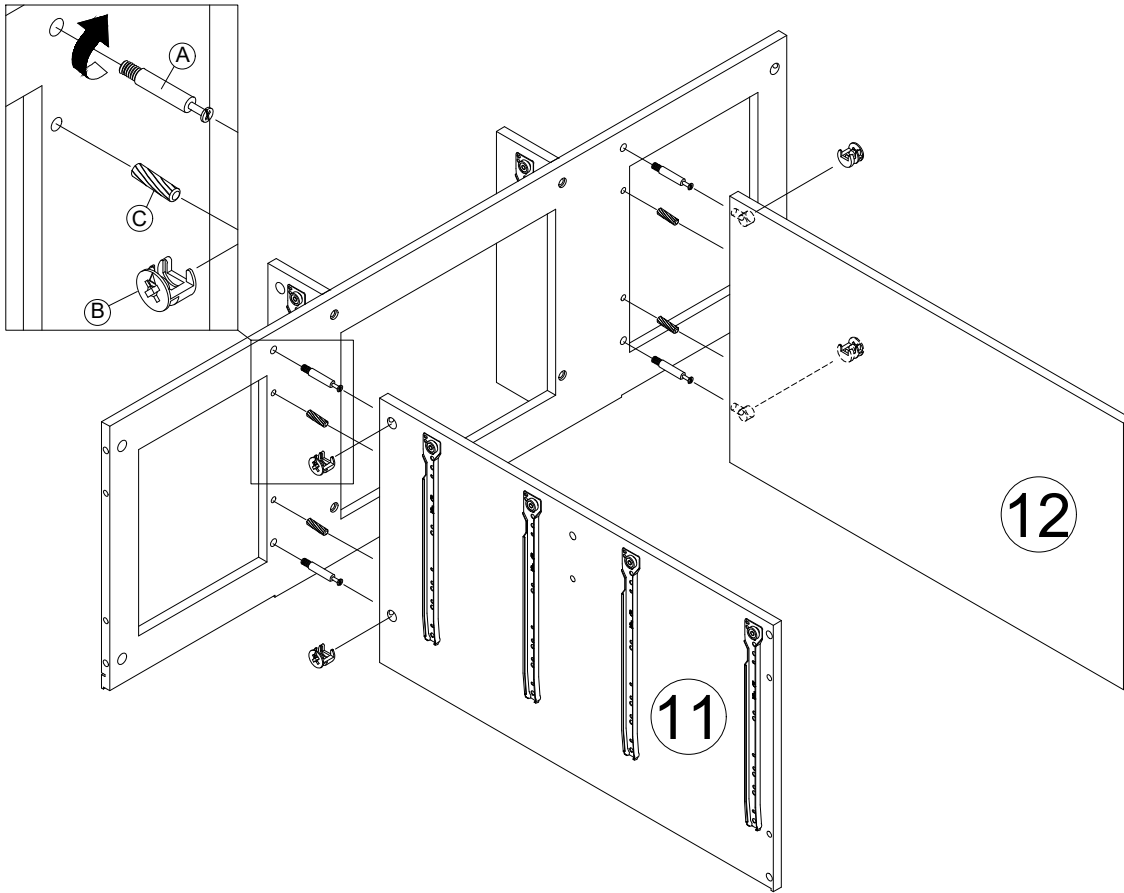
### 2).ASSEMBLE THE FEMALE SLIDING (J/L)

- PLACE THE FEMALE SLIDING (J/L) INTO THE HOLES IN 2 SIDE OF PANEL(7/8) AND ATTACH USING 10 SCREW (E).



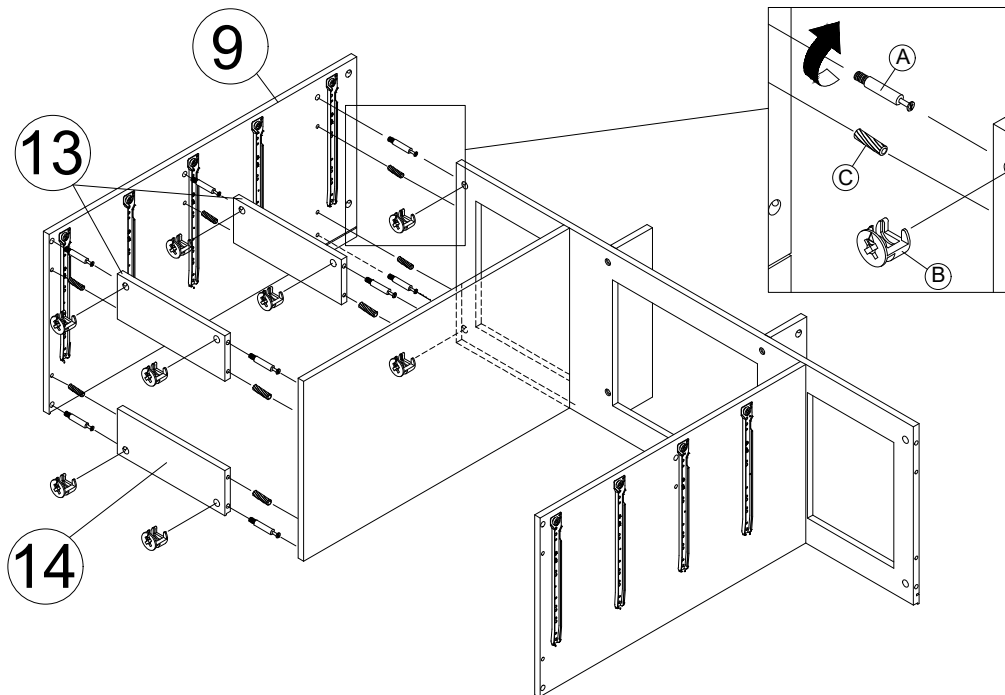
### 3).ASSEMBLE THE BOTTOM FRAME (6) AND FIXED PANEL (7/8)

- PLACE THE FIXED PANEL (7/8) INTO THE HOLES IN THE BOTTOM FRAME (6) AND ATTACH USING 4 BOLT (F), 4 DOWEL (C).



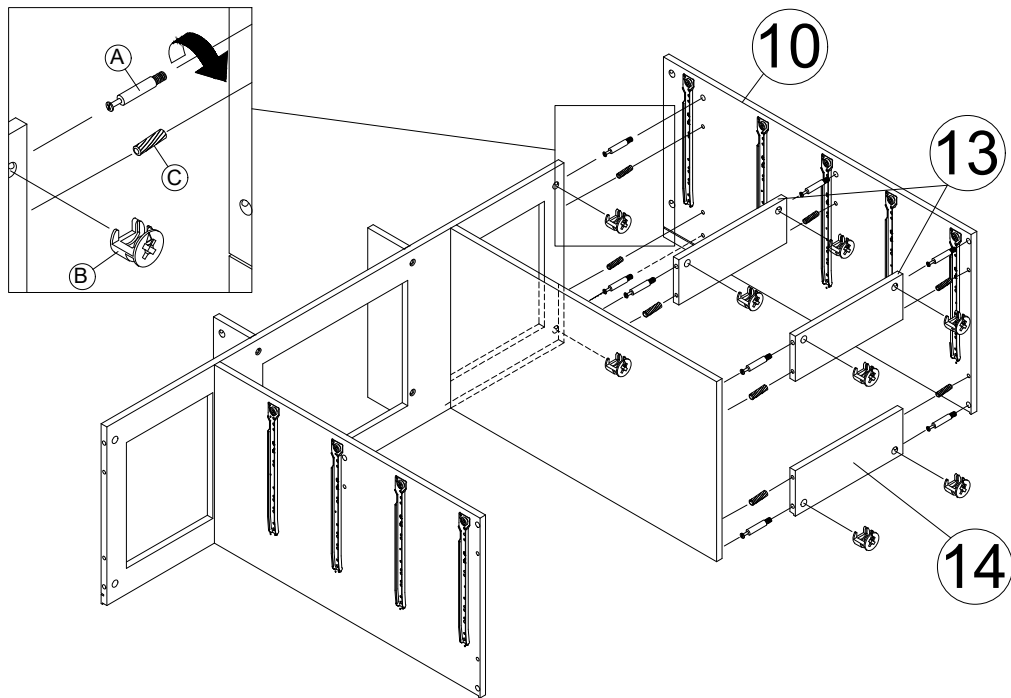
**4).ASSEMBLE STAND PANEL (11/19)**

- PLACE THE STAND PANEL (11/19) INTO THE HOLES IN THE BOTTOM FRAME (6) AND ATTACH USING 4 CAM BOLT (A), 4 CAMLOCK (B) AND 4 DOWEL (C).



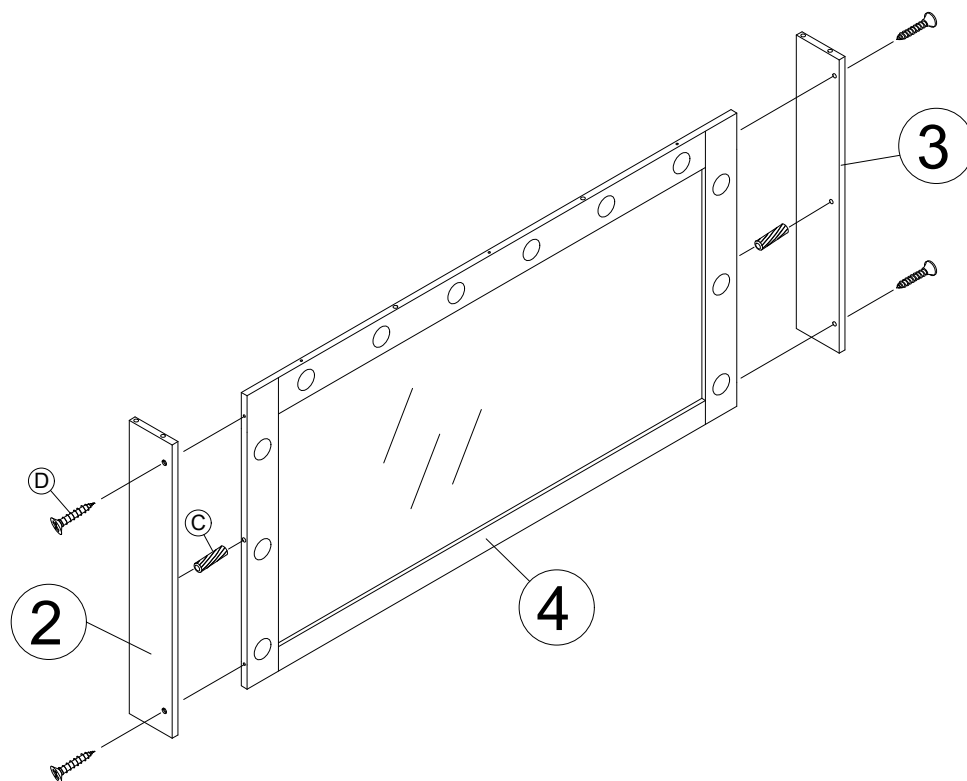
**5).ASSEMBLE SIDE PANEL (9), RAIL (13/14)**

- PLACE THE SIDE PANEL (9), RAIL (13/14) INTO THE HOLES IN THE BOTTOM FRAME (6) AND ATTACH USING 8 CAM BOLT (A), 8 CAMLOCK (B) AND 8 DOWEL (C).



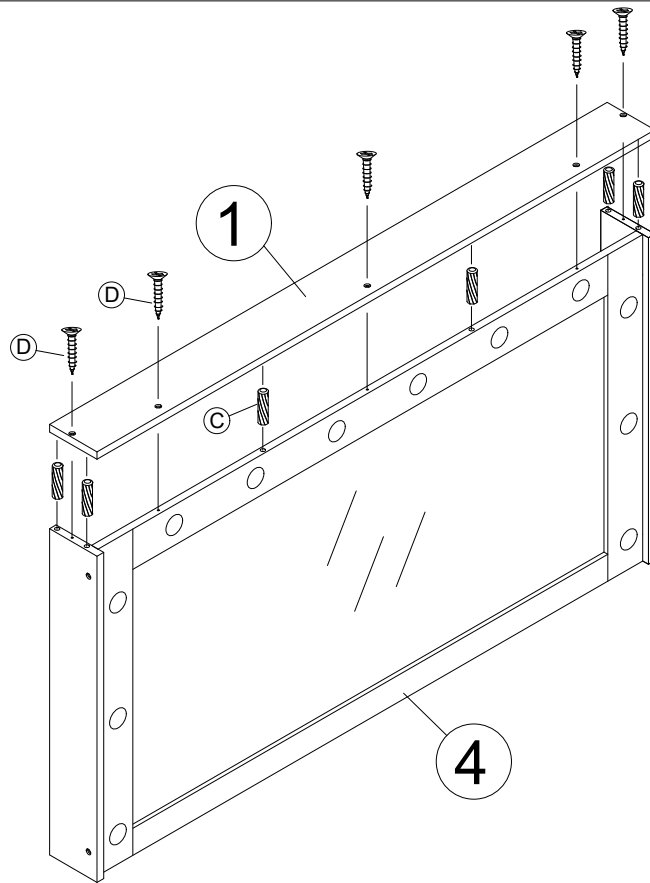
**6).ASSEMBLE SIDE PANEL (10), RAIL (13/14)**

- PLACE THE SIDE PANEL (10), RAIL (13/14) INTO THE HOLES IN THE BOTTOM FRAME (6) AND ATTACH USING 8 CAM BOLT (A), 8 CAMLOCK (B) AND 8 DOWEL (C).



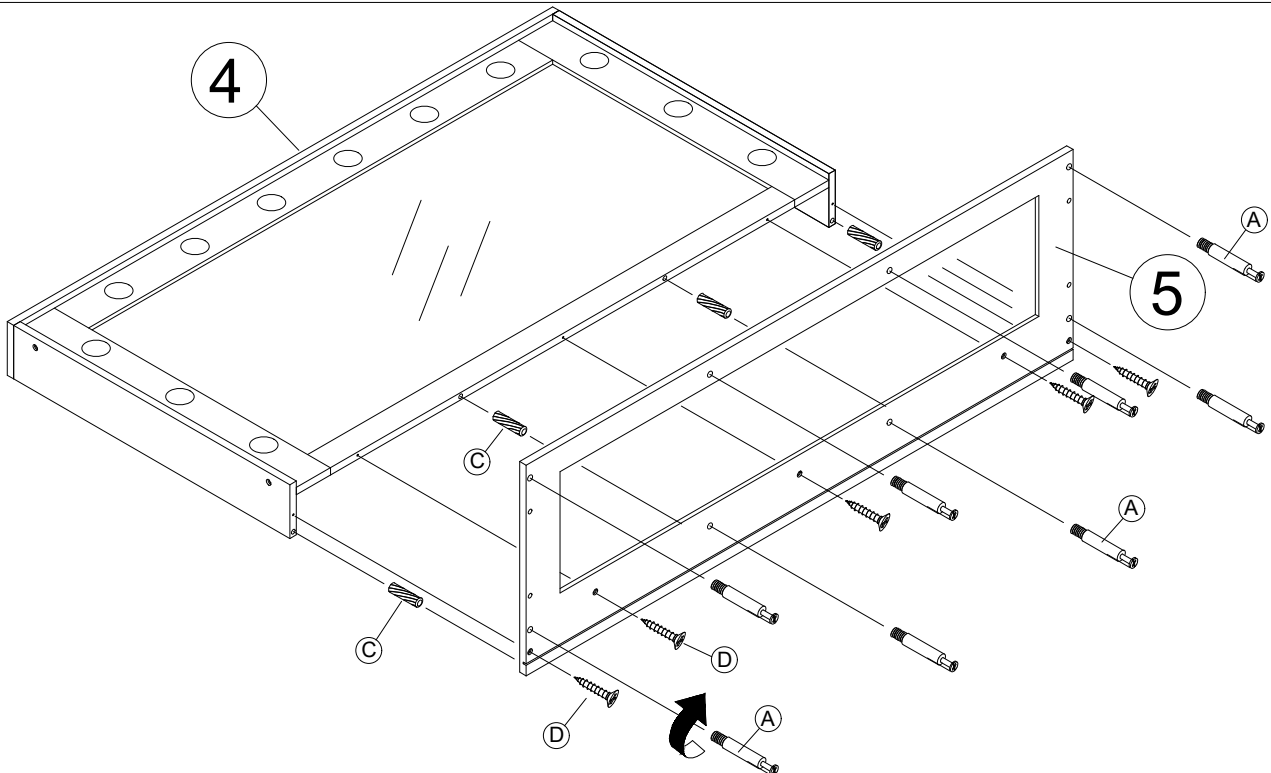
**7).ASSEMBLE MIRROR FRAME (4) AND PANEL (2/3)**

- PLACE THE PANEL (2/3) INTO THE HOLES IN THE MIRROR FRAME (4) AND ATTACH USING 4 SCREW (D), 2 DOWEL (C).



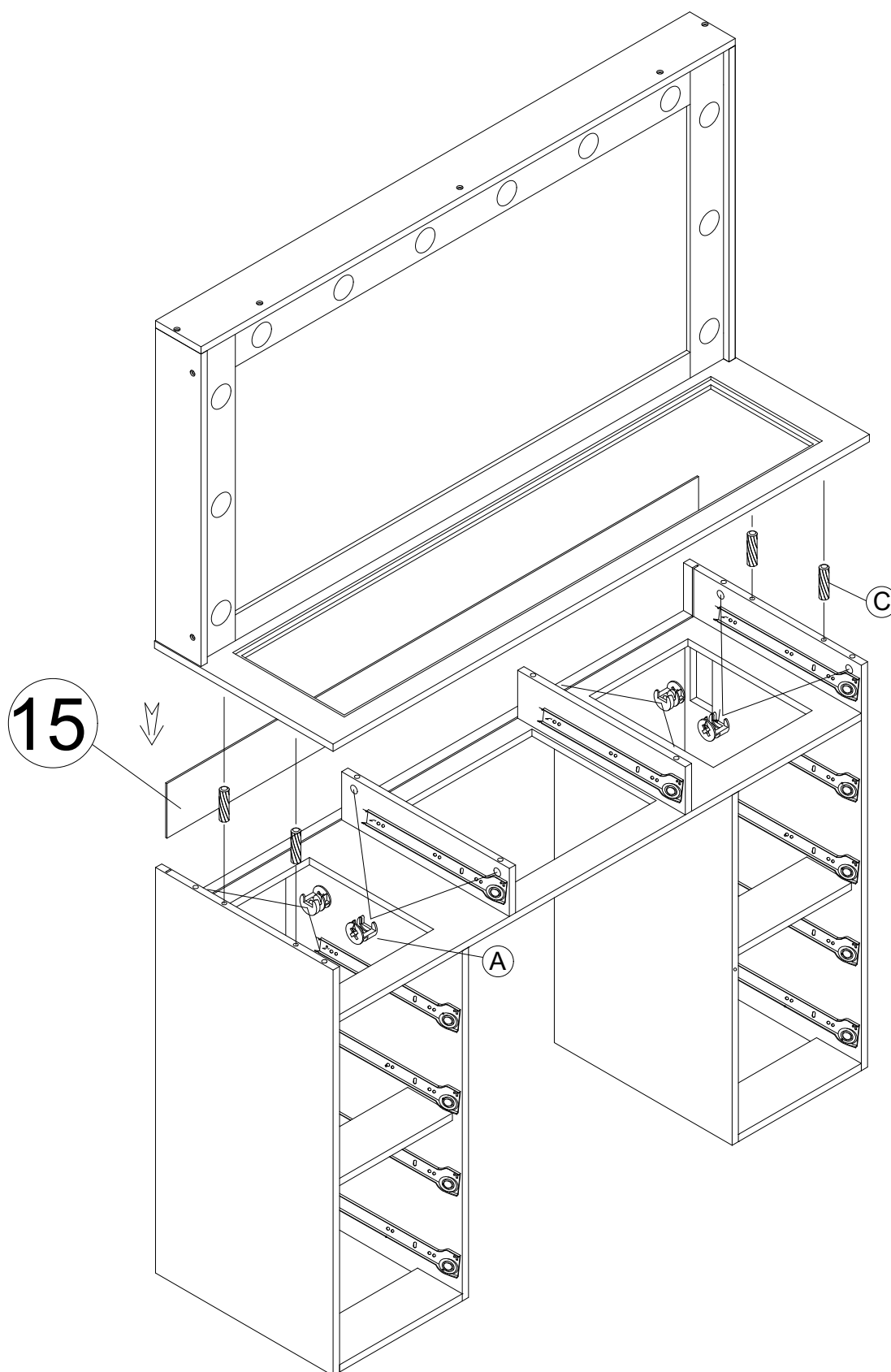
**8).ASSEMBLE PANEL (A) AND MIRROR FRAME (4)**

- PLACE THE PANEL (1) INTO THE HOLES IN THE MIRROR FRAME (4) AND ATTACH USING 5 SCREW (D), 6 DOWEL (C).



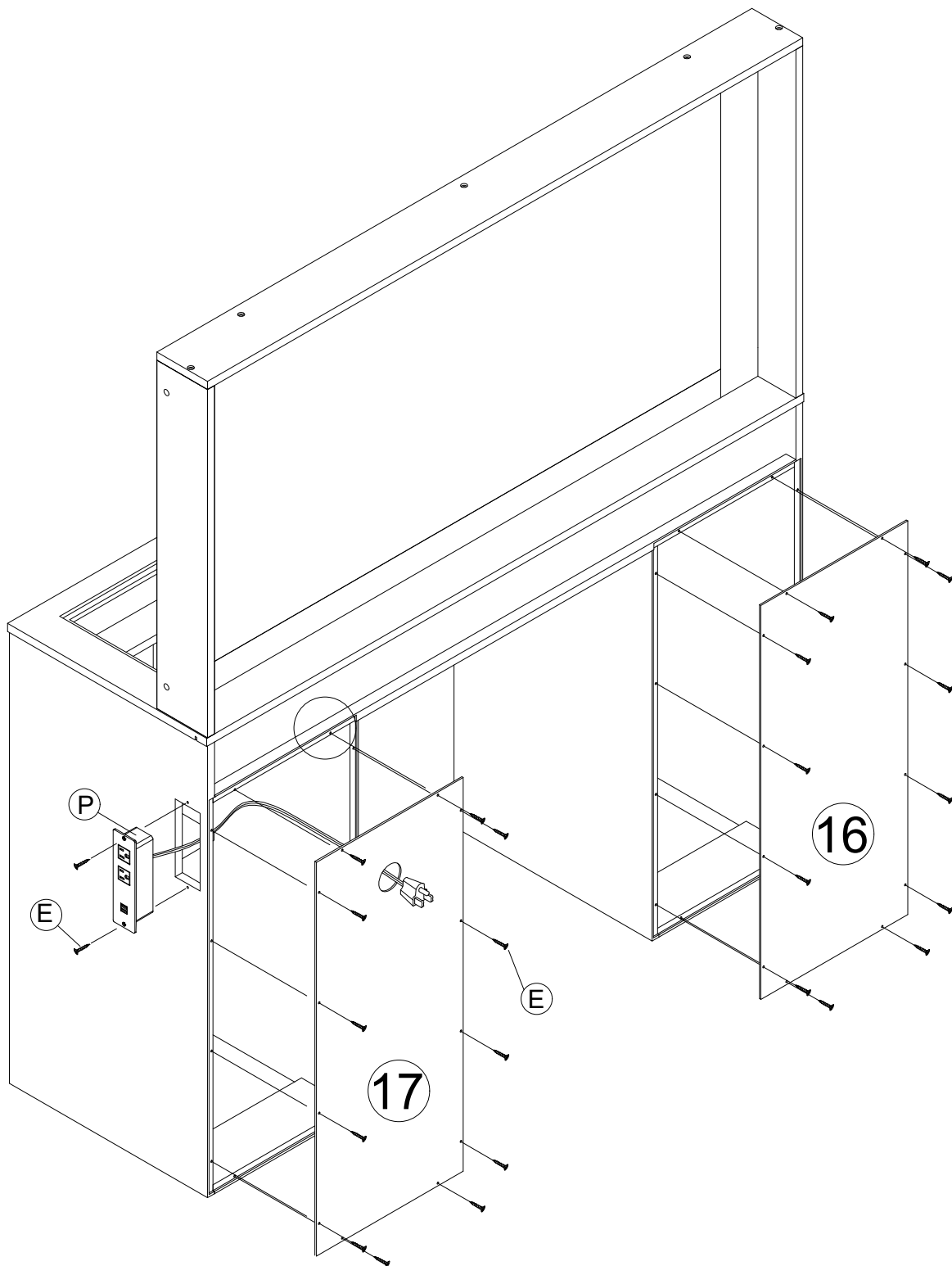
**9).ASSEMBLE MIRROR FRAME (4) AND TOP FRAME (5)**

- PLACE THE FRAME (5) INTO THE HOLES IN THE FRAME (4) AND ATTACH USING 5 SCREW (D), 4 DOWEL (C).
- ROTATE THE 8 CAM-BOLTS (A) INTO THE HOLES IN THE TOP PANEL(5).



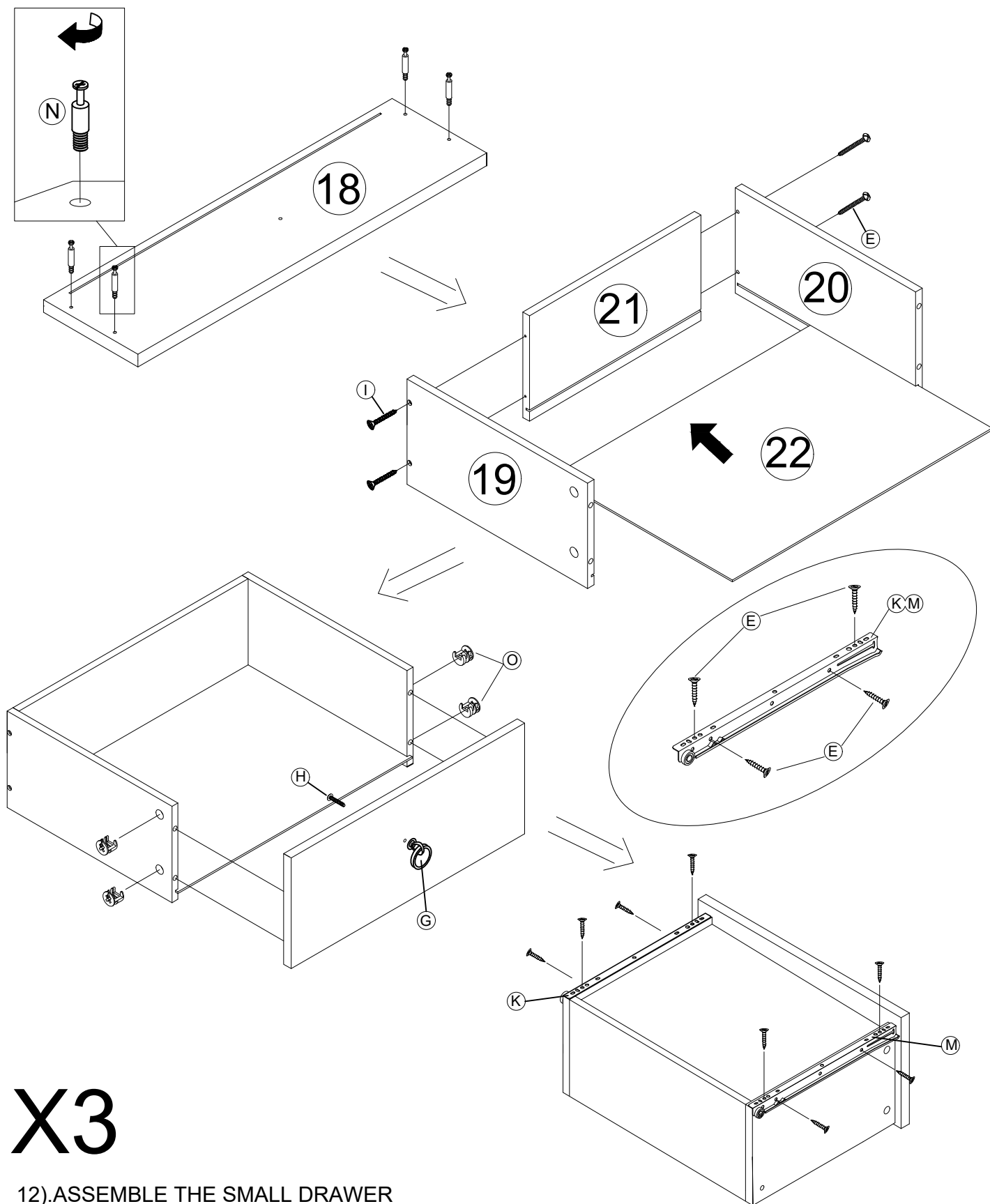
**10).ASSEMBLE TOP AND BASE**

- PLACE THE TOP INTO THE HOLES IN THE BASE (4) AND ATTACH USING 8 CAM-LOCK (B), 4 DOWEL (C).



**11).ASSEMBLE SOCKET (P) AND BACK PANEL (16),(17).**

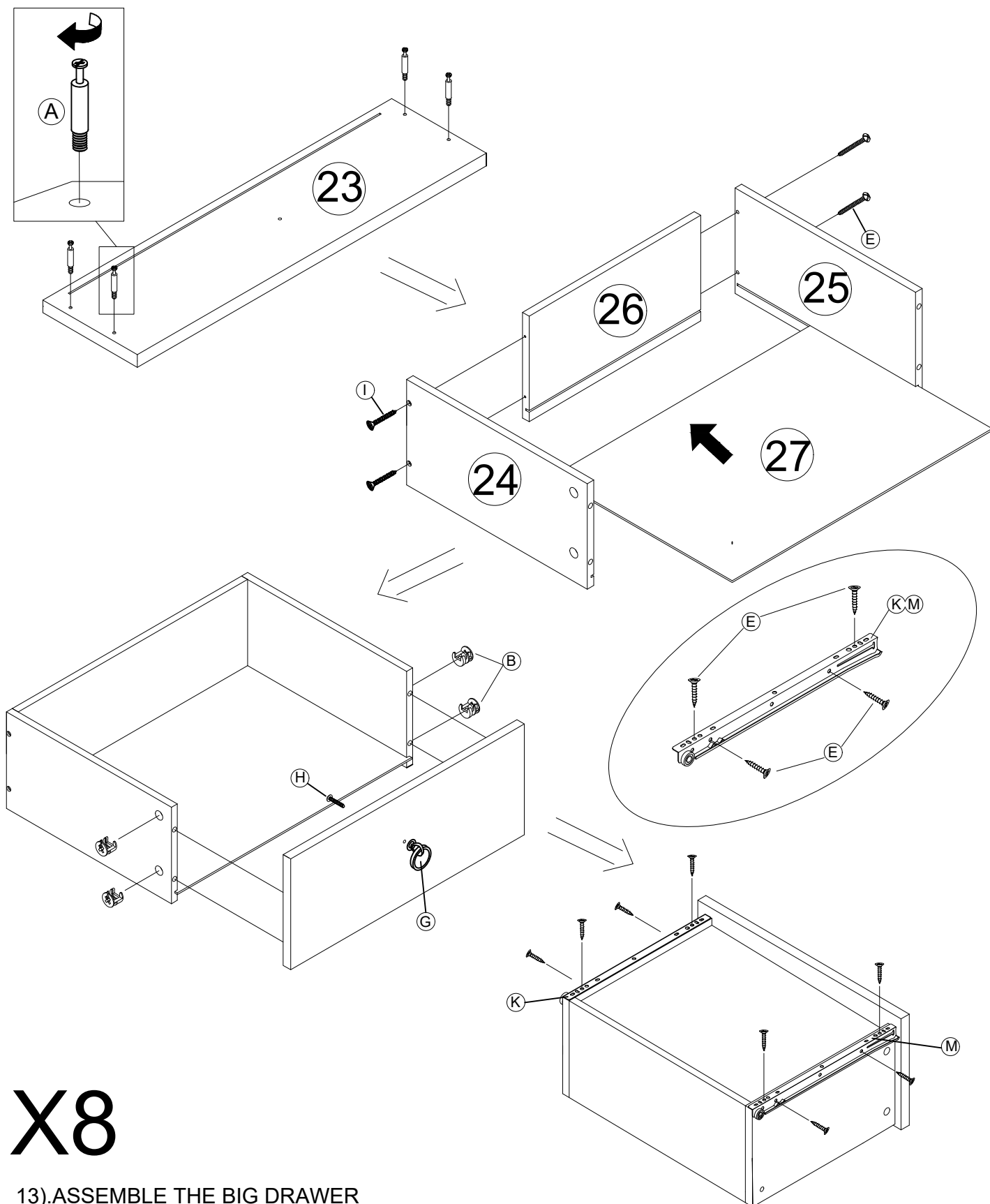
- PLACE THE BACK PANEL (16),(17) AND SOCKET (P) INTO THE HOLES IN THE MAIN BODY AND ATTACH USING 26 SCREW (E).



# X3

## 12).ASSEMBLE THE SMALL DRAWER

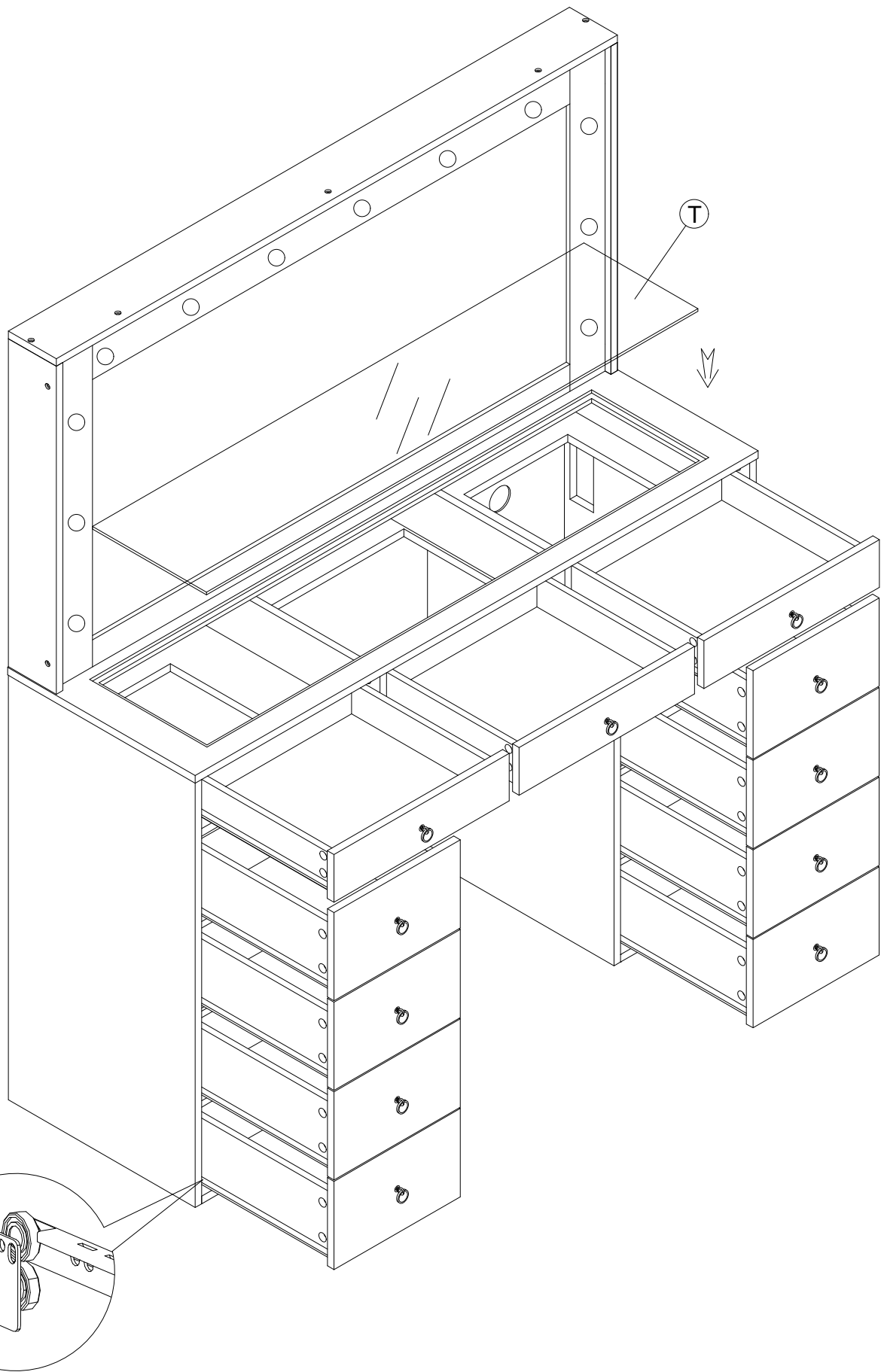
- ROTATE 12 SMALL CAM-BOLTS (N) INTO THE HOLES IN THE 3 SMALL DRAWER FRONT PANEL(18).
- ATTACH THE DRAWER BACK (21) AND DRAWER LEFT/RIGHT USING 12 SCREWS(I).
- PLACE THE SMALL DRAWER FRONT PANEL(18). INTO THE HOLES IN THE DRAWER LEFT/RIGHT AND ATTACH USING 12 SMALL CAM-LOCKS (O).
- PLACE THE SLIDING (K),(M) INTO THE HOLES IN THE DRAWER SIDE PANEL(19),(20) AND USING 24 SCREWS(E).



# X8

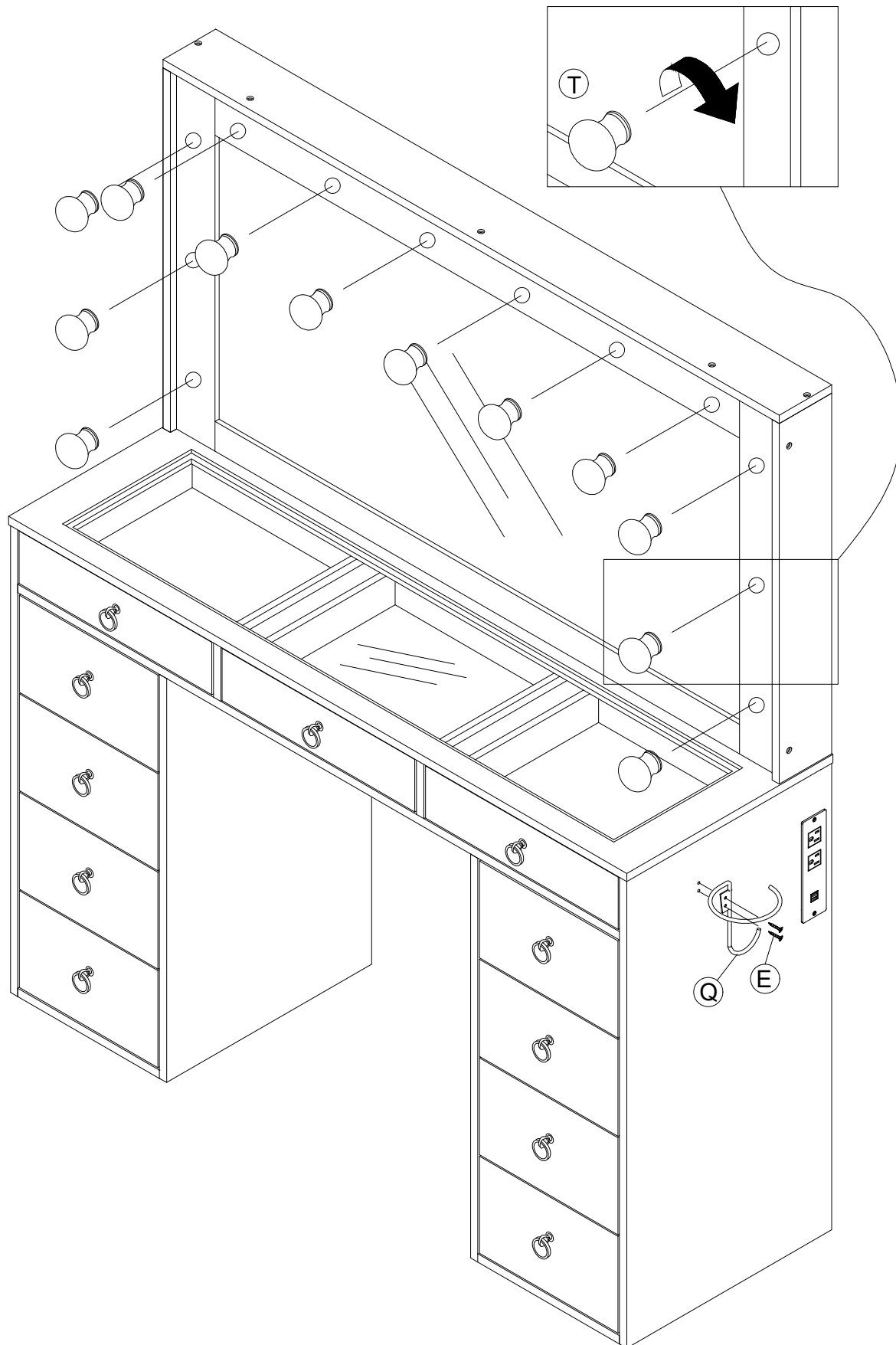
## 13).ASSEMBLE THE BIG DRAWER

- ROTATE 32 CAM-BOLTS-SMALL(A) INTO THE HOLES IN THE 8 BIG DRAWER FRONT PANEL(23).
- ATTACH THE DRAWER BACK (26) AND DRAWER LEFT/RIGHT USING 32 SCREWS(I).
- PLACE THE BIG DRAWER FRONT PANEL(23). INTO THE HOLES IN THE DRAWER LEFT/RIGHT AND ATTACH USING 32 CAM-LOCKS(B).
- PLACE THE SLIDING (K),(M) INTO THE HOLES IN THE DRAWER SIDE PANEL(19),(20) AND USING 24 SCREWS(E).



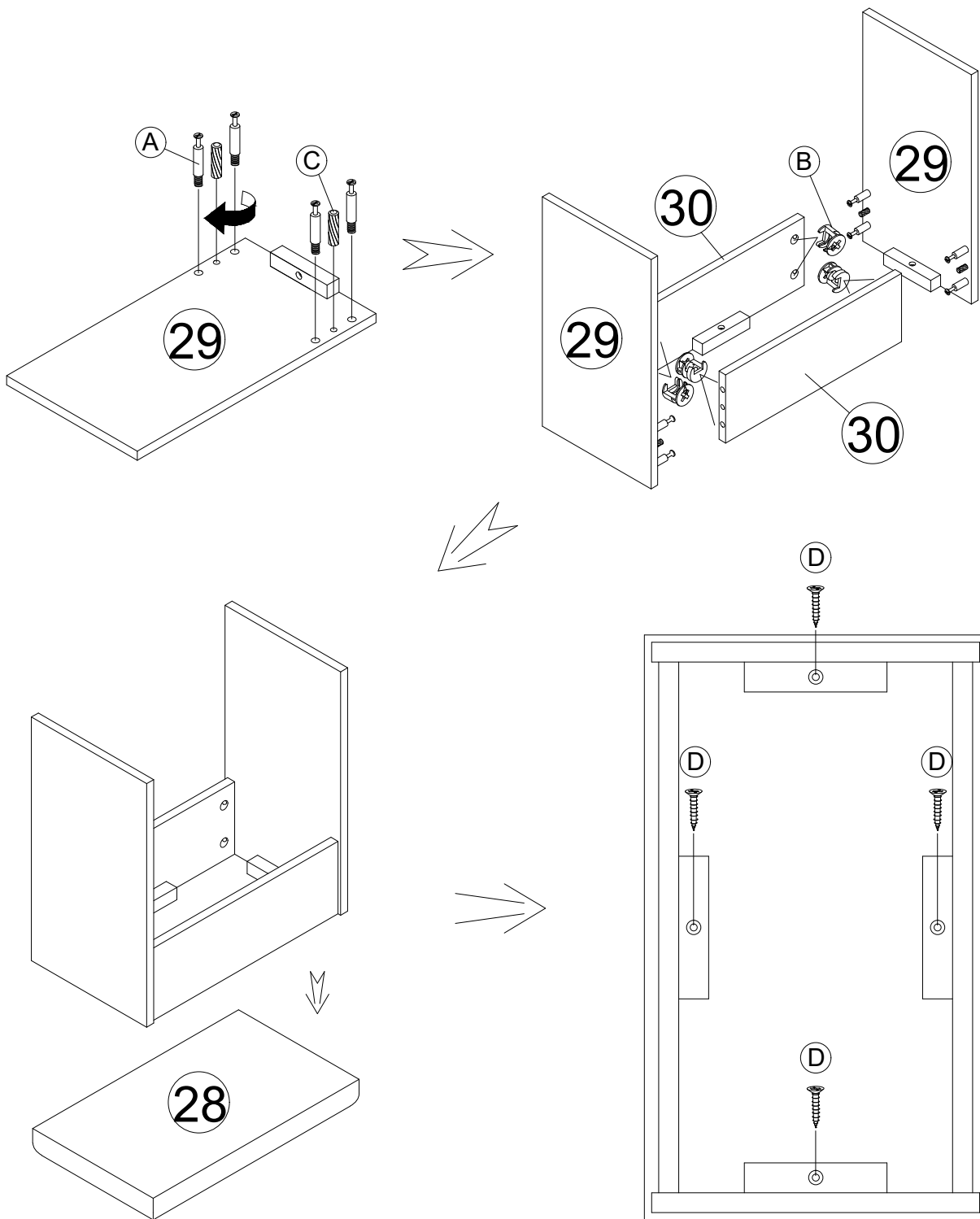
14).ATTACH THE DRAWERS AND GLASS (T).

- SLIDE THE DRAWERS INTO THE SLIDERS-OUTS.



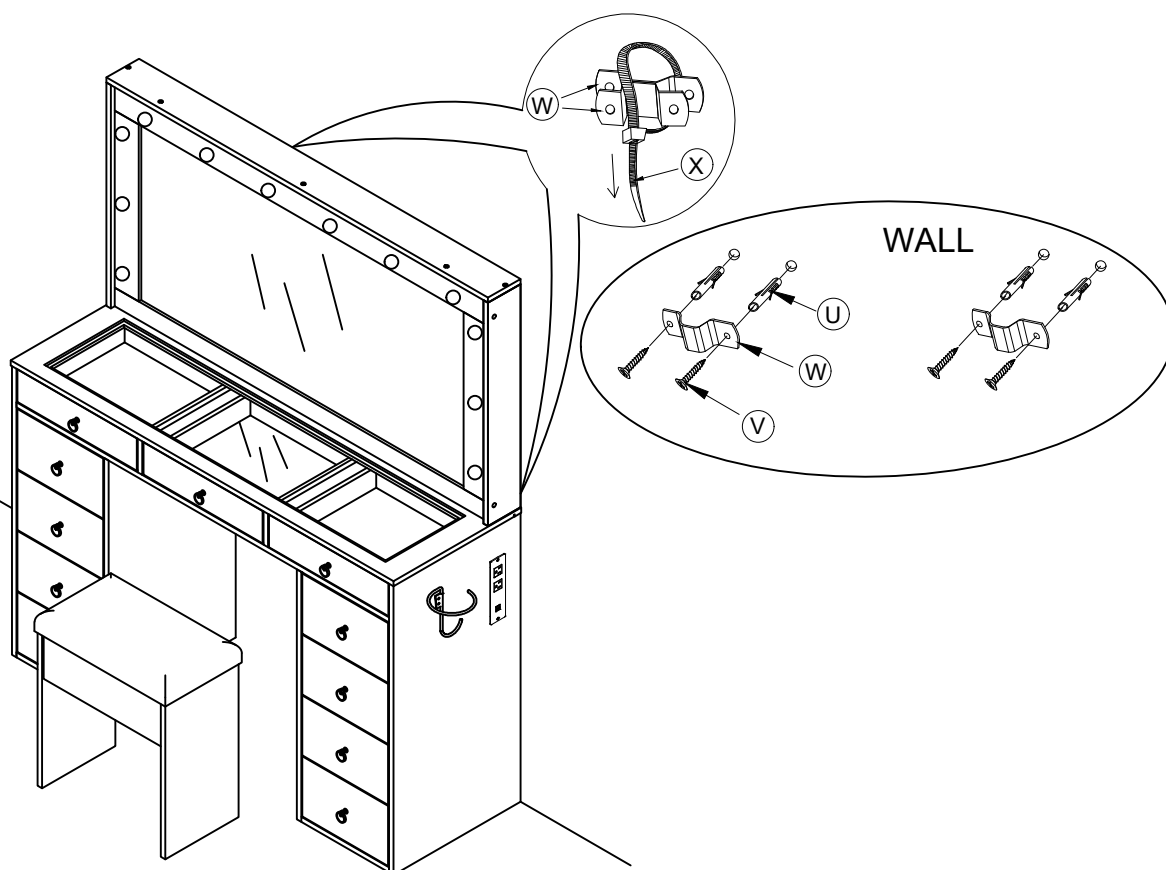
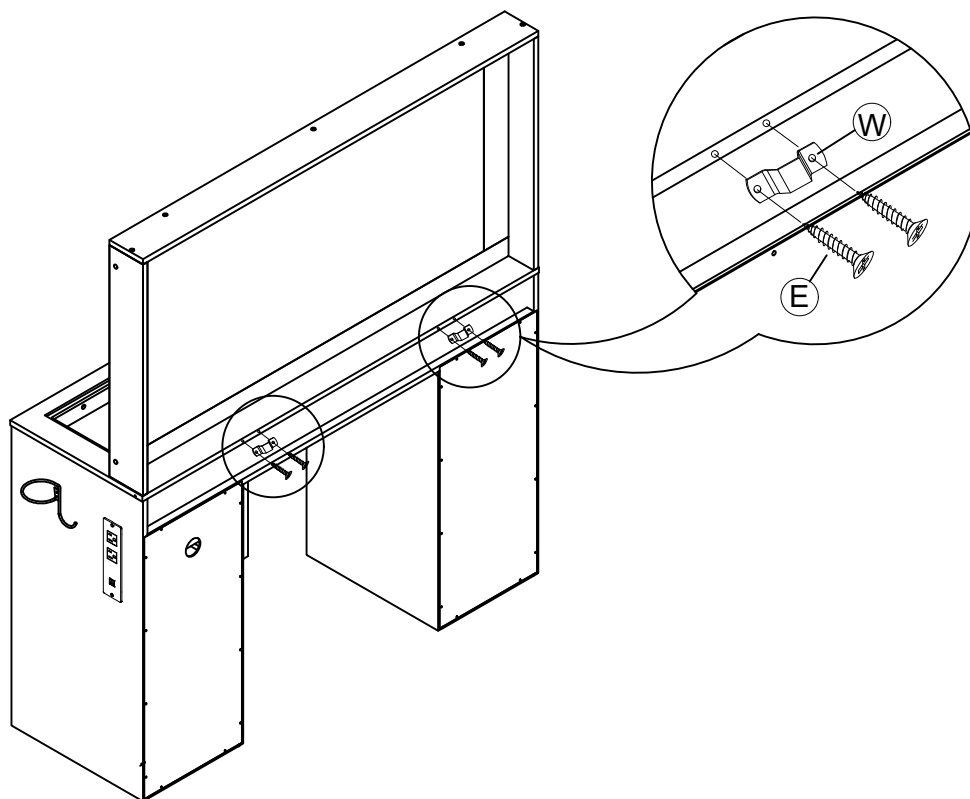
15).ASSEMBLE LED LIGHTS (T) AND HANGER (Q).

- ROTATE LED LIGHTS (T) INTO THE HOLES IN THE MIRROR FRAME
- PLACE THE HANGER (Q) INTO THE HOLES IN THE MAIN BODY AND ATTACH USING 2 SCREW (E)



### 16).ASSEMBLE THE STOOL.

- INSERT 4 DOWELS (C) INTO THE HOLES IN THE SIDE CHAIRS (29)
- ROTATE 8 CAM-BOLTS (A) INTO THE HOLES IN THE SIDE CHAIRS (29)
- PLACE THE CAMBOLTS (A) AND DOWELS (C) INTO THE HOLES IN THE FRONT/BACK CHAIRS (30) AND ATTACH USING 8 CAM-LOCKS (B)
- PLACE THE CHAIR BODY IN THE SEAT FRAME (28) AND ATTACH USING 4 SCREWS (D).



### 17). ASSEMBLE THE ANTI-TIP HARDWARE.

- ATTACH 2 HOOKS (W) USING 4 SCREWS (E) IN THE PREDRILLED HOLES OF REAR TOP FRAME (5)
- DRILL 4 HOLES INTO THE WALL, PLEASE REFER TO THE REAR TOP FRAME HOLE DISTANCE AND HEIGHT.
- PUT 4 ANCHORS (U) INTO THE HOLES IN THE WALL, AND ROTATE 4 SCREWS (V) INTO THE GECKOS (U).
- CONNECT THE TWO HOOKS (W) WITH A PLASTIC BELT (X).