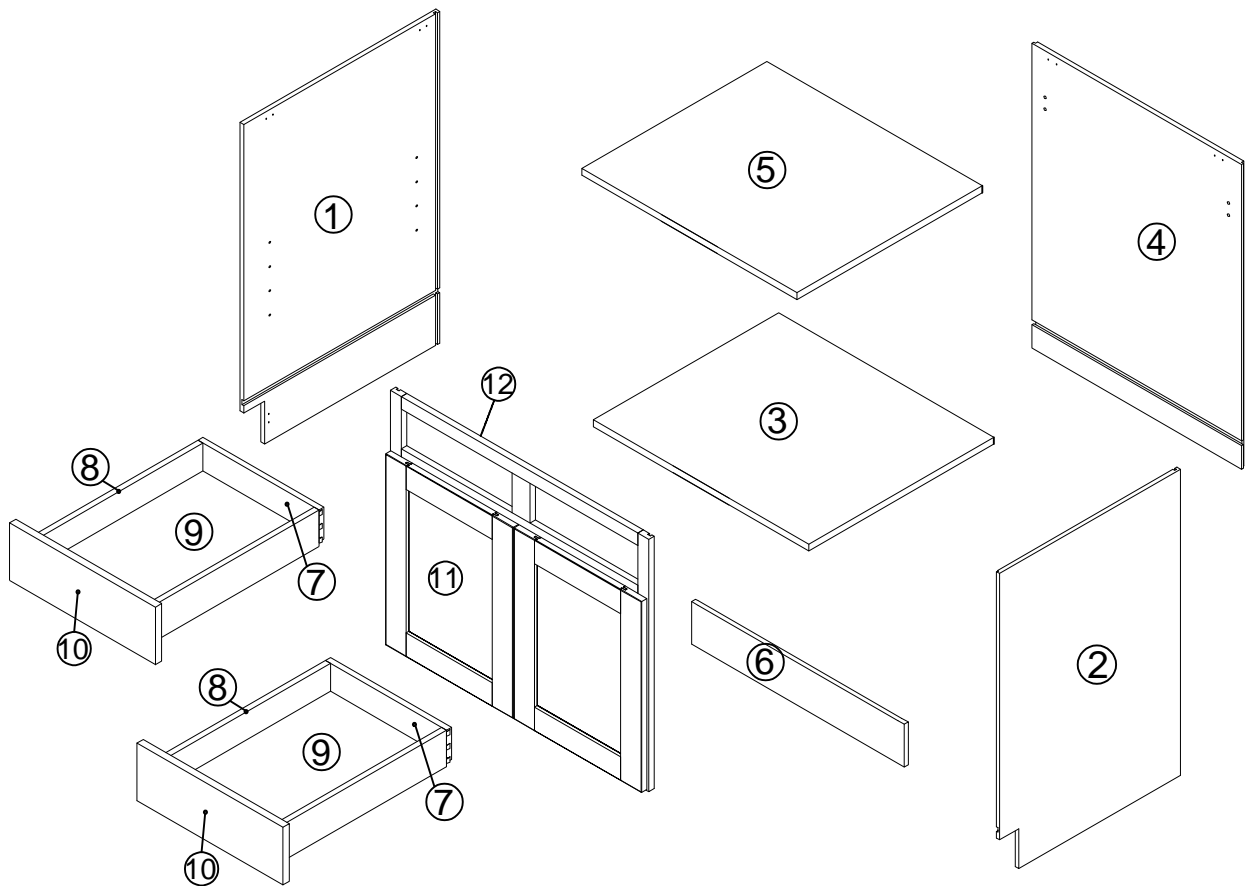
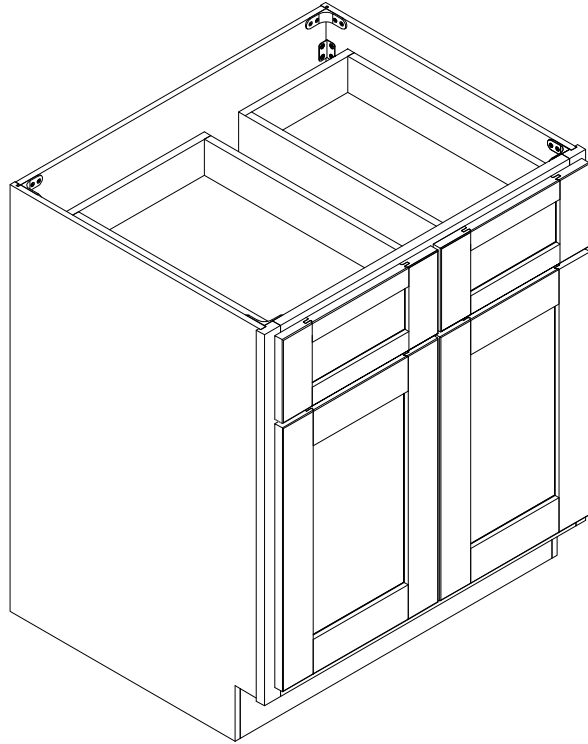


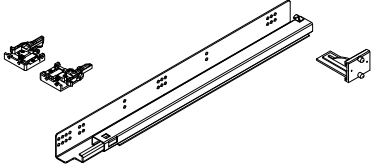
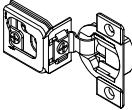
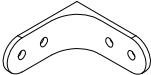

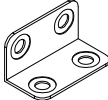





PROJECT NAME:
 ITEM NAME: BASE CABINET_2DOOR_2DRAWER
 ITEM CODE: B39 , B42

PARST LIST

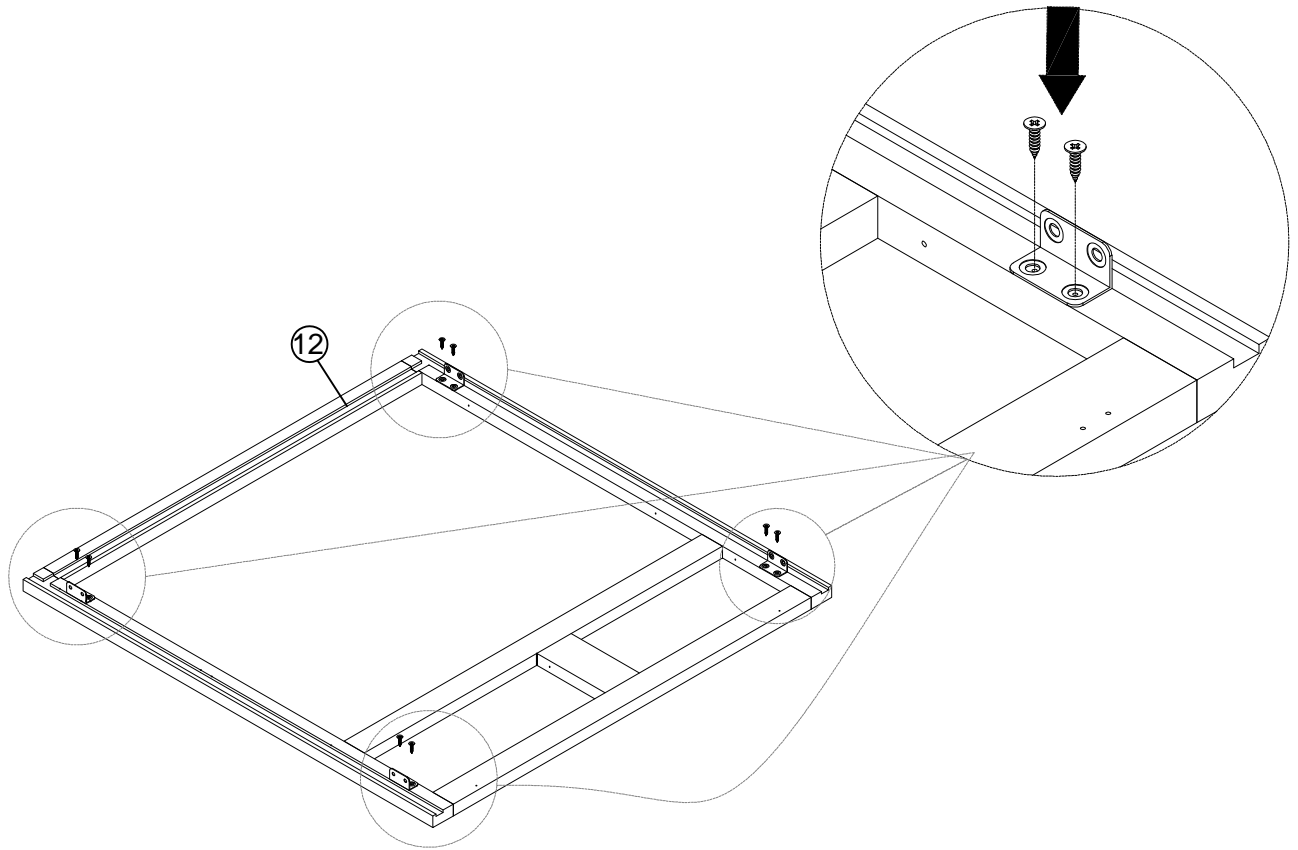
NO	NAME	QTY
1	LEFT SIDE PANEL	01pcs
2	RIGHT SIDE PANEL	01pcs
3	BOTTOM PANEL	01pcs
4	BACK PANEL	01pcs
5	SHELF	01pcs
6	TOE KICK	01pcs
7	DRAWER BACK PANEL	02pcs
8	DRAWER SIDE PANEL	04pcs
9	DRAWER BOTTOM PANEL	02pcs
10	DRAWER FACE&DRAWER FRONT PANEL	02pcs
11	DOOR	02pcs
12	FACE FRAME	01pcs



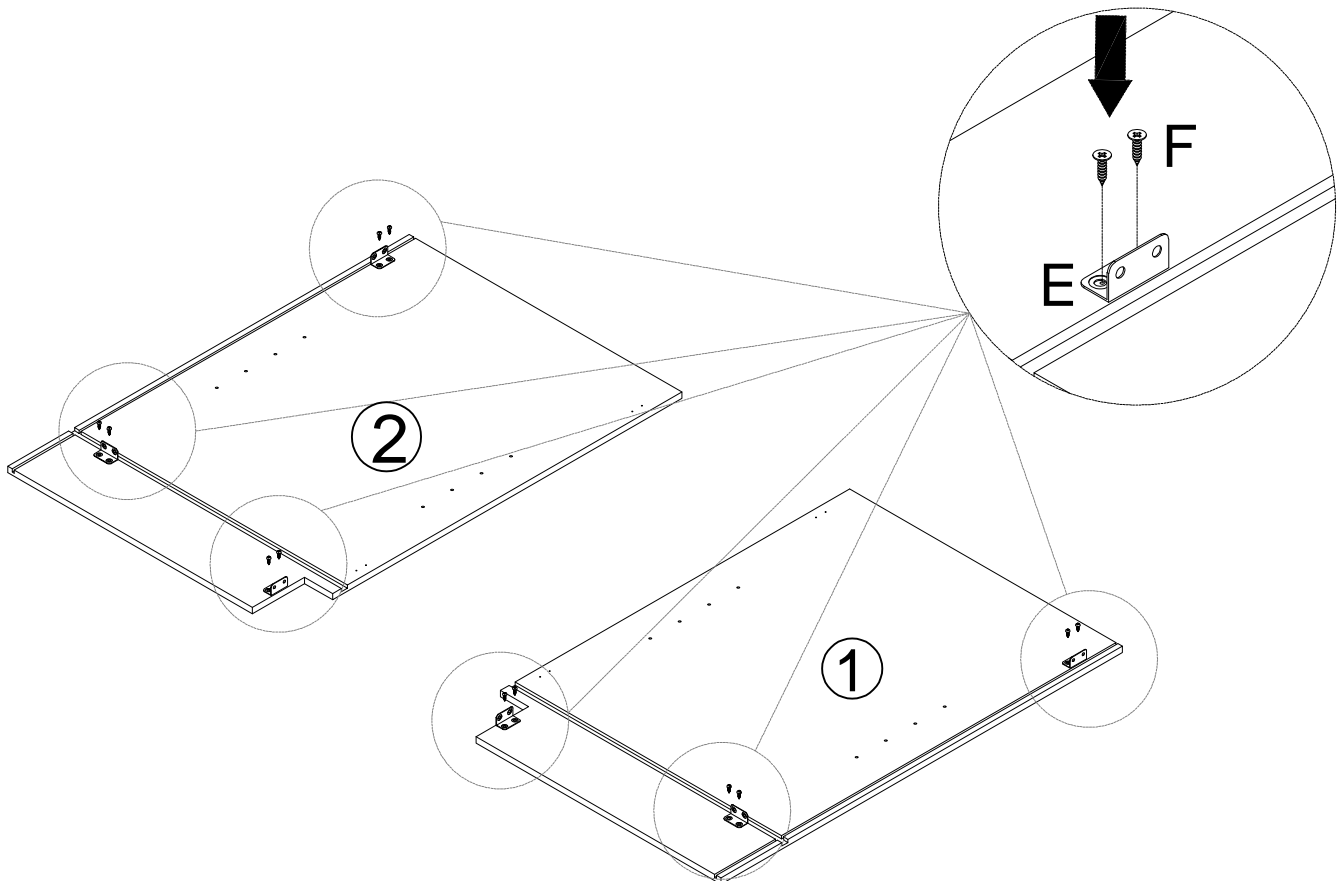
HARDWARE LIST

NO	NAME	picture	QTY
A	GLIDES		4pcs
B	HINGE 1-1/4		04pcs
C	90°METAL BRACKET		04pcs
D	SHELF PINS		04pcs
E	CORNER BRACKET		11pcs
F	Φ3.5×12mm SCREWS		61pcs
G	Φ4×25mm BACKBOARD SCREWS		3pcs
H	Φ4×19mm HINGE SCREWS		4pcs
k	Φ3.5×14mm HINGE SCREWS		14pcs
I	BUMPER		12pcs

STEP1 E x 4 F x 8

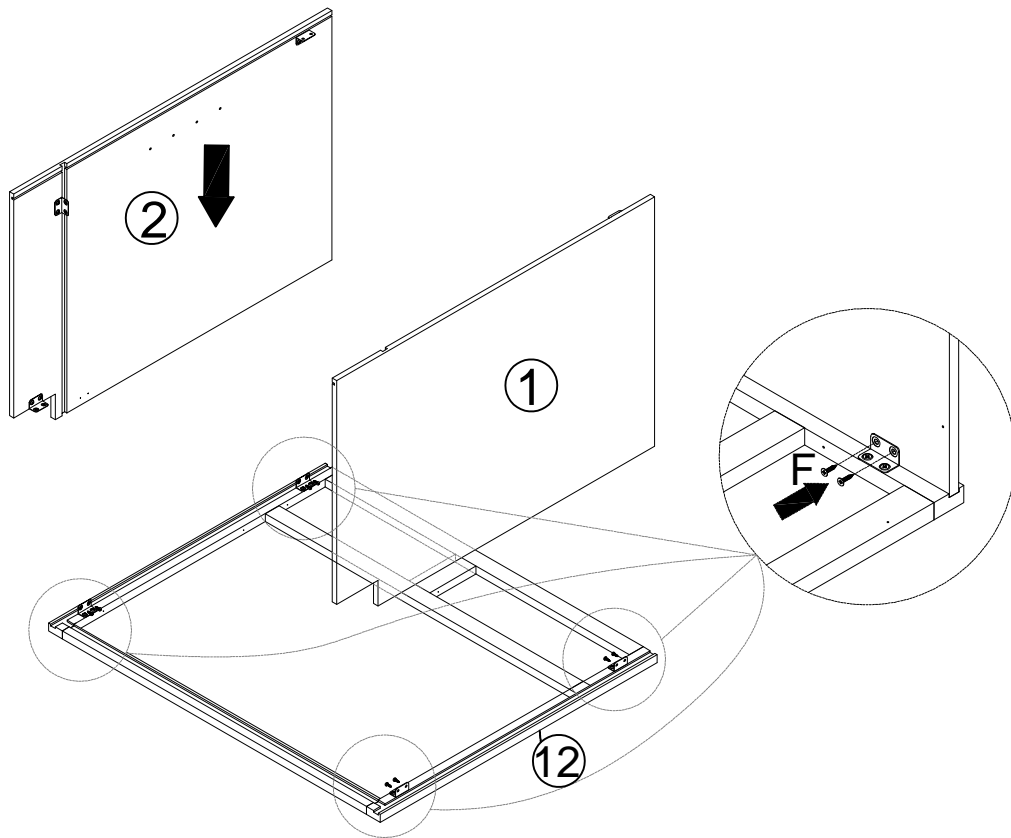


STEP2 E x 6 F x 12

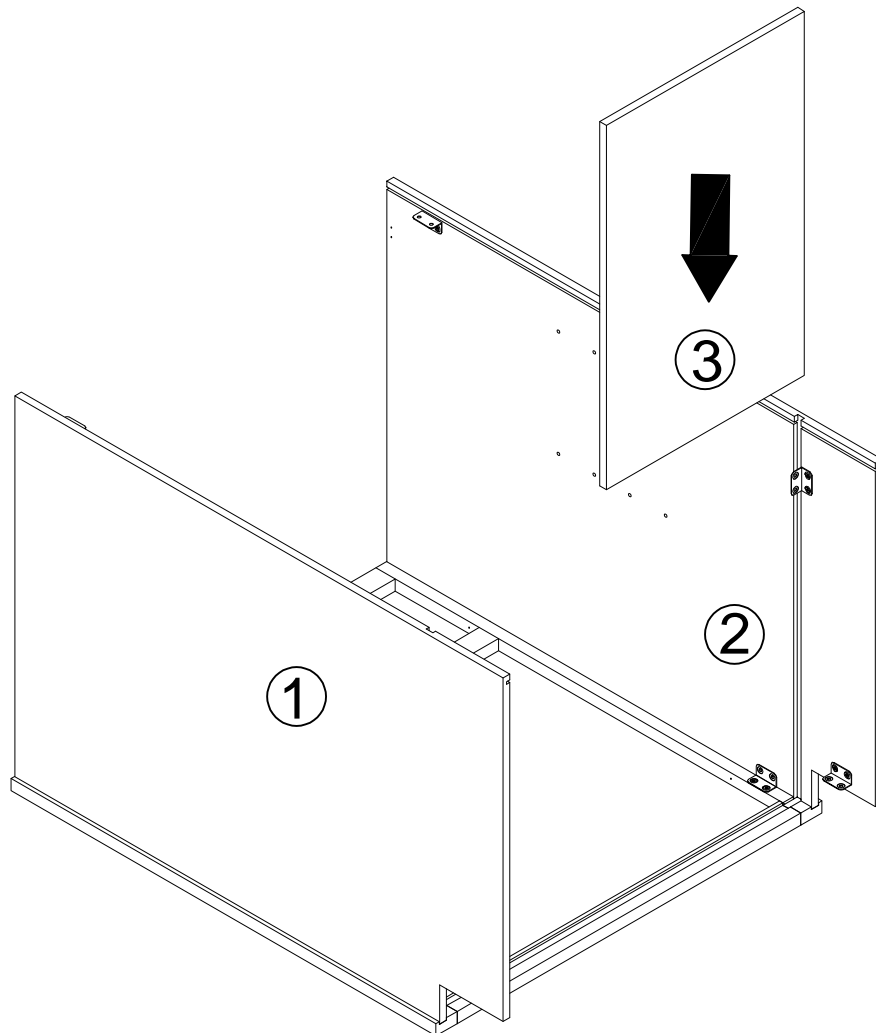


STEP3

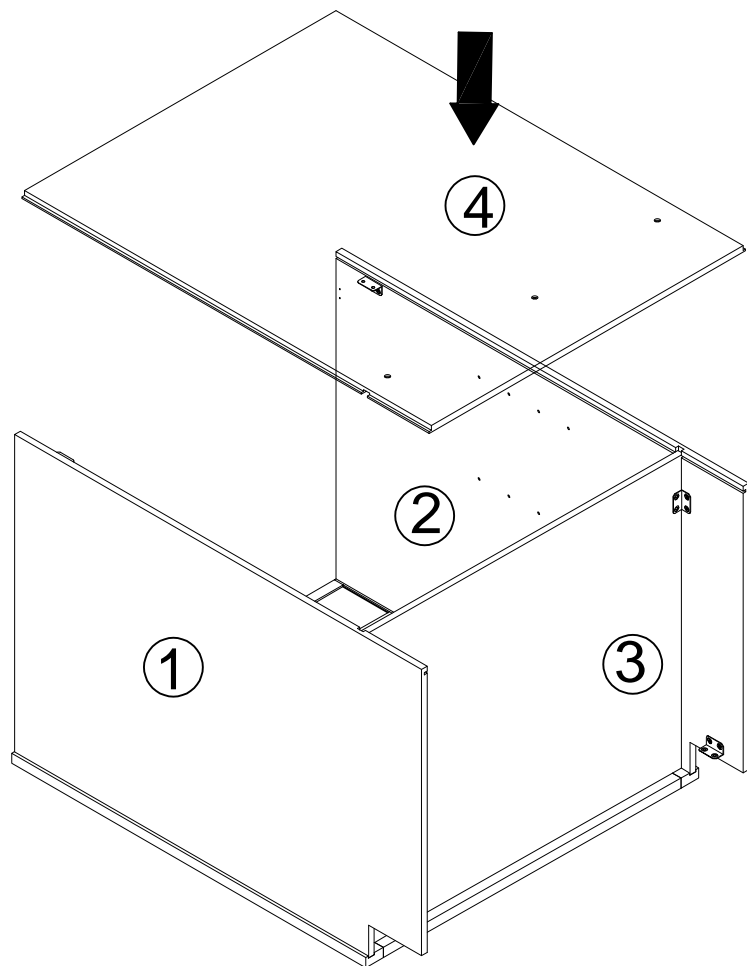
F x 8



STEP4



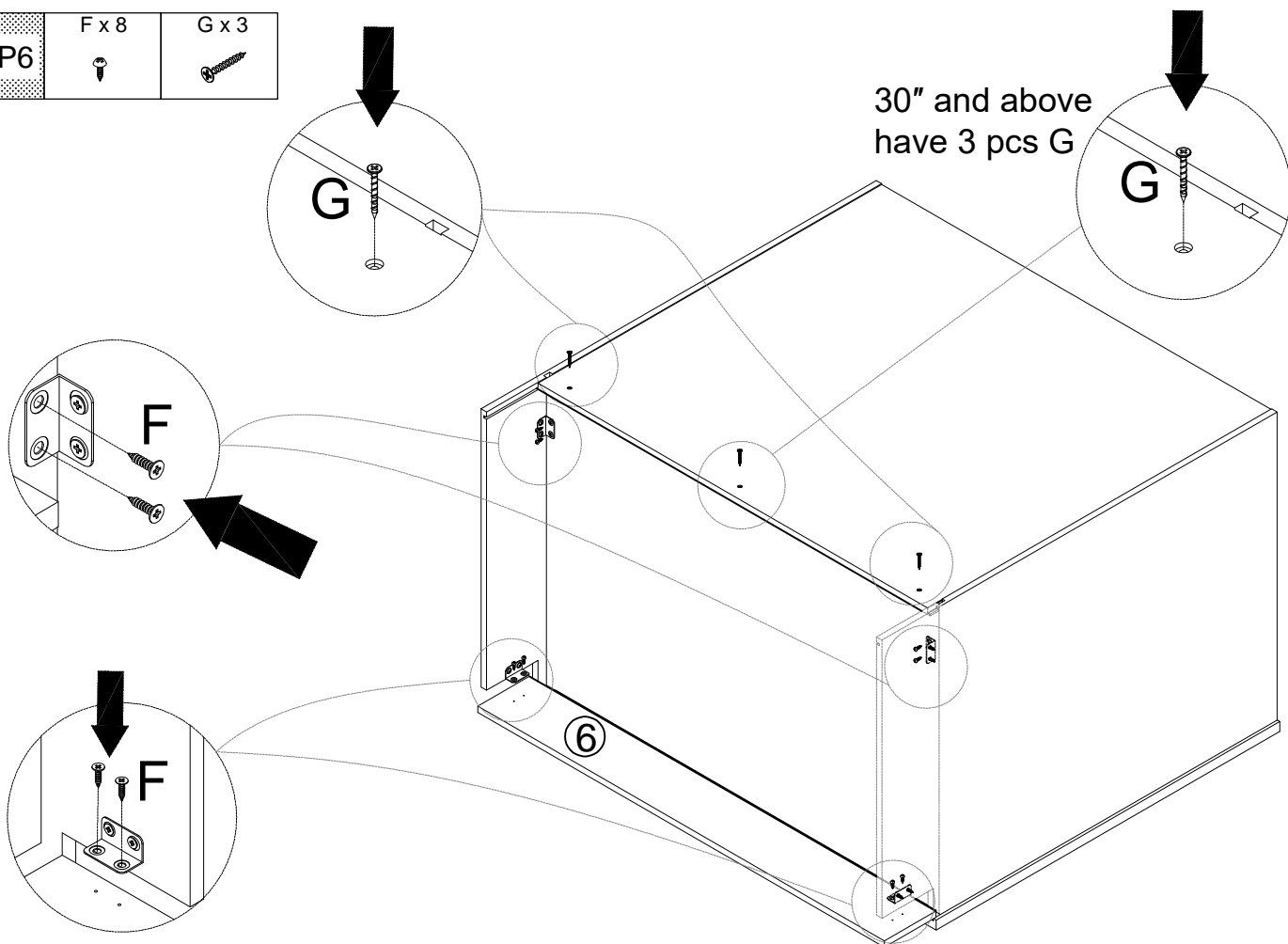
STEP5



STEP6

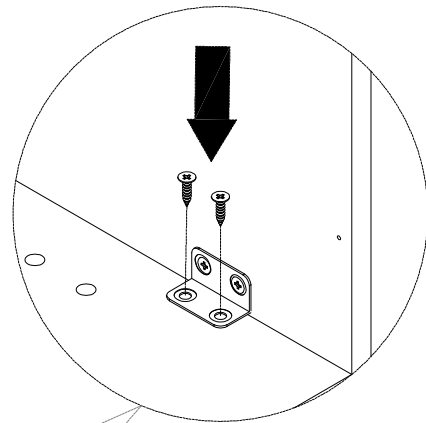
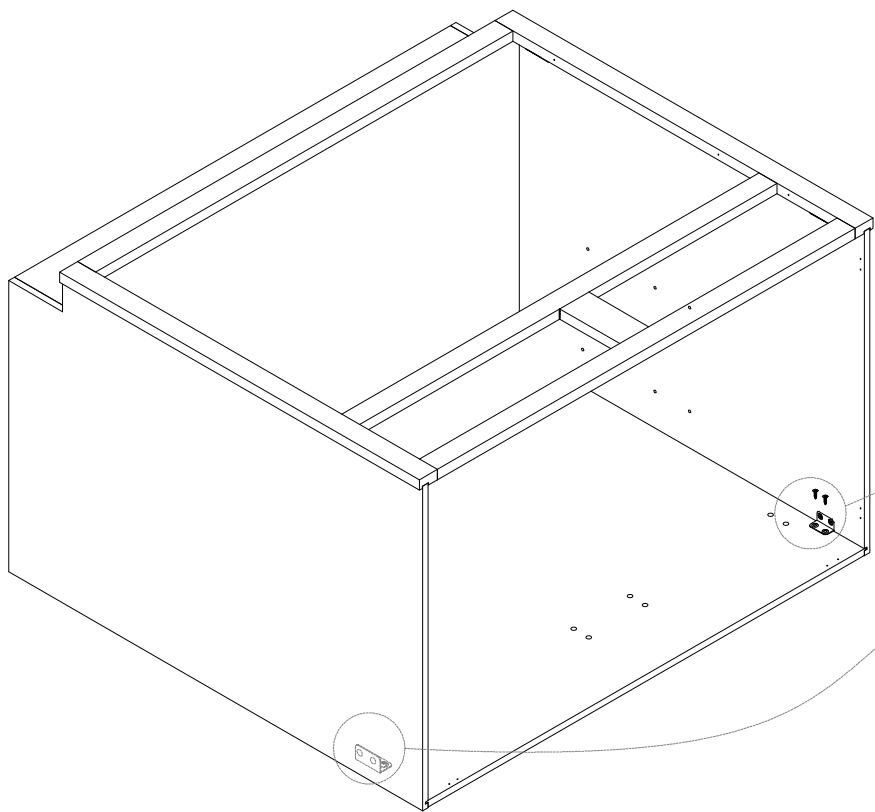
F x 8

G x 3



STEP7

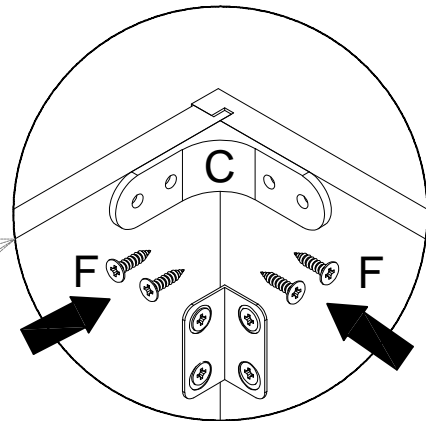
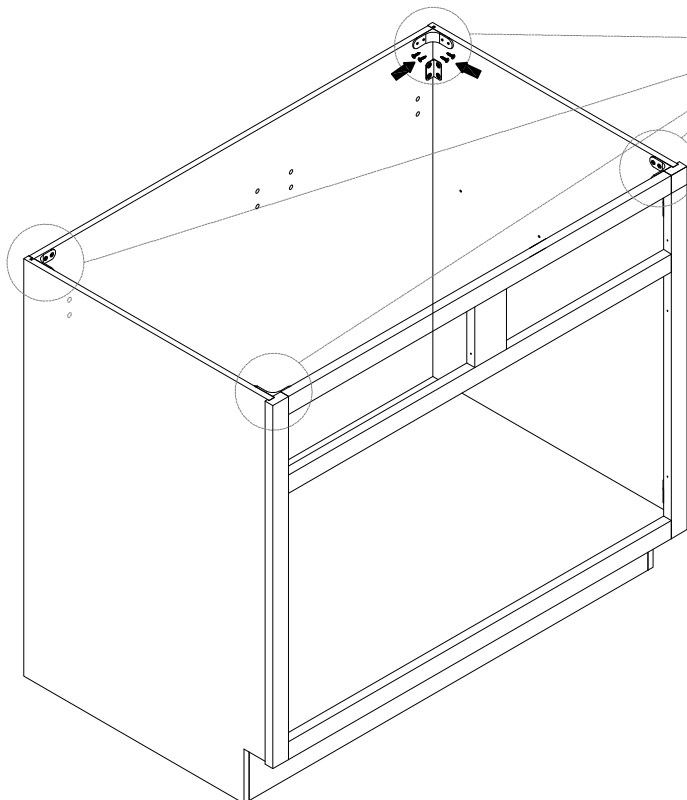
F x 4



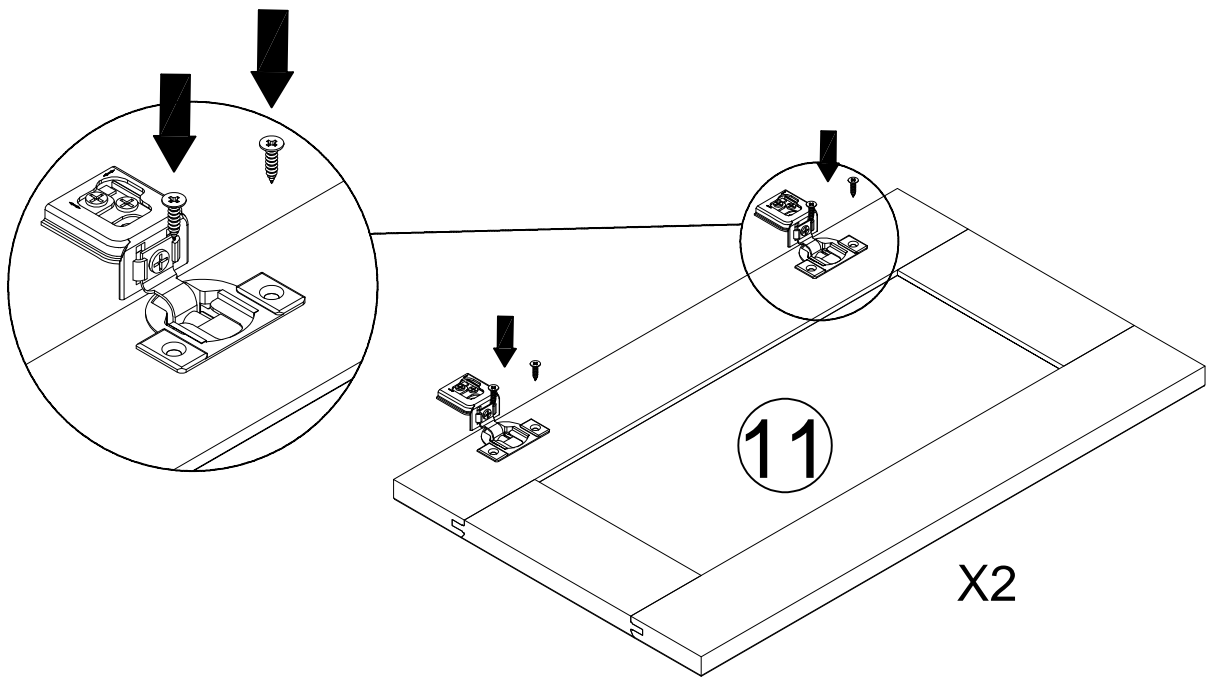
STEP8

C x 4

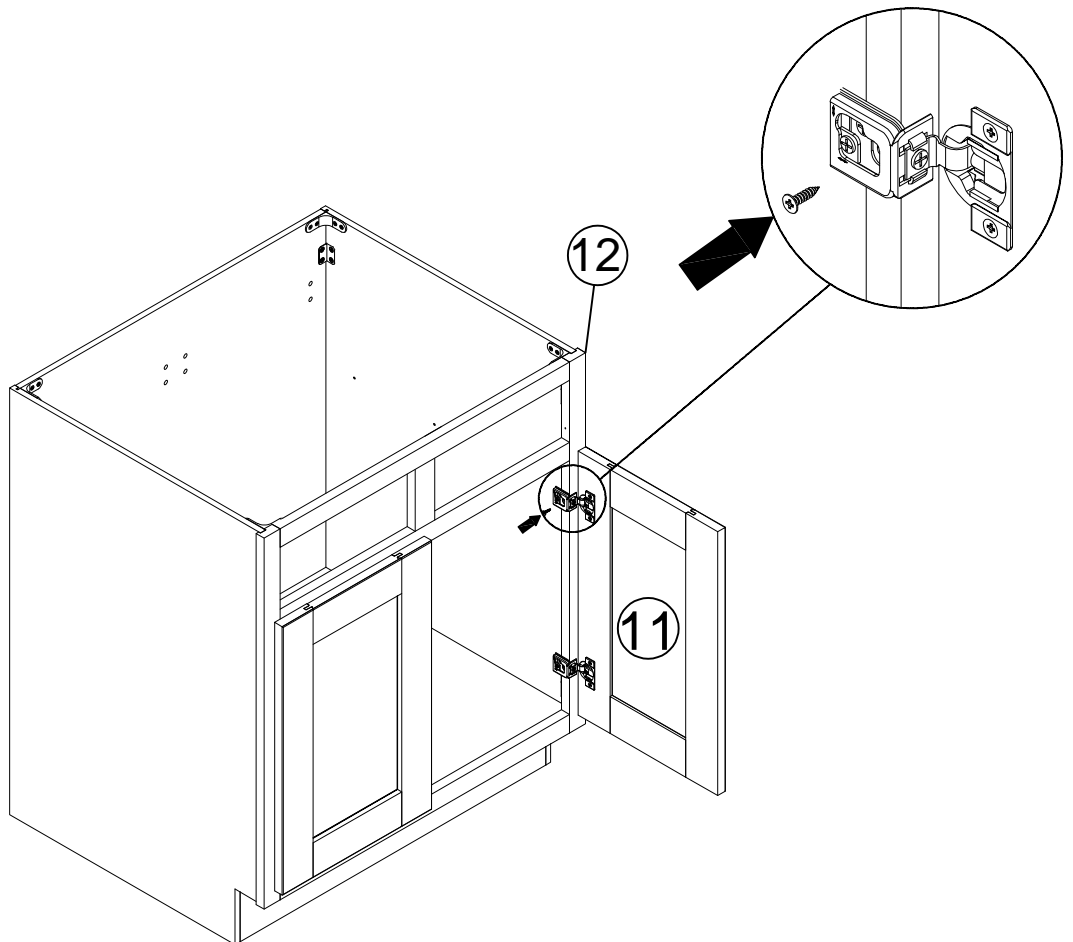
F x 16



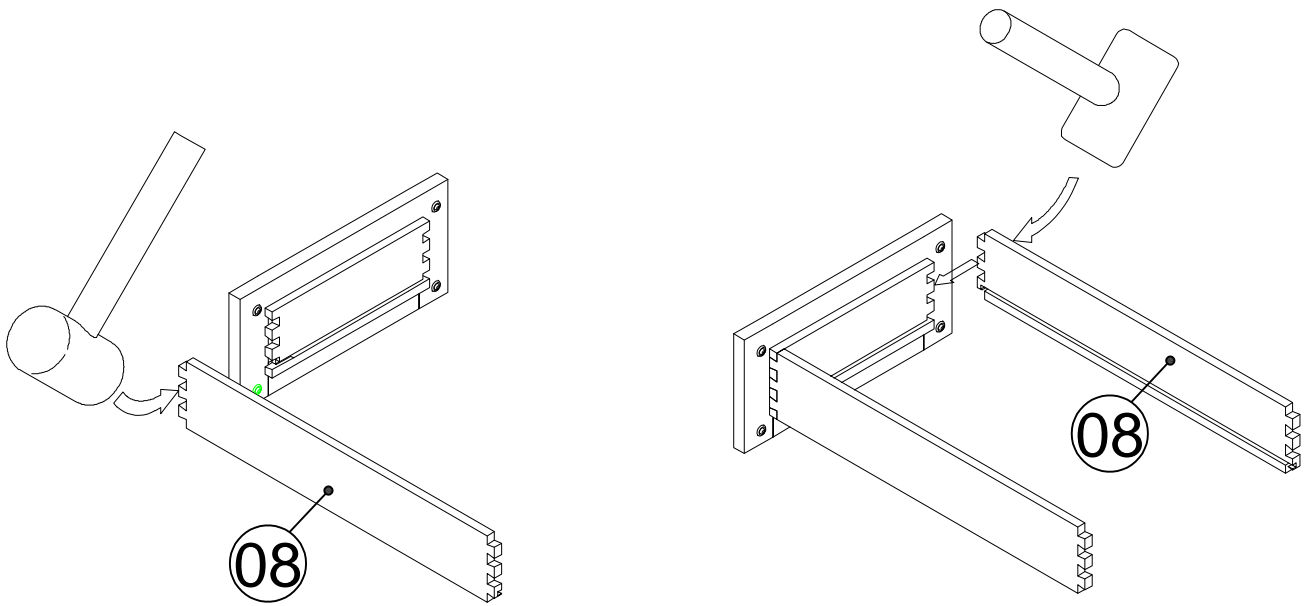
STEP9 B x 4 K x 8



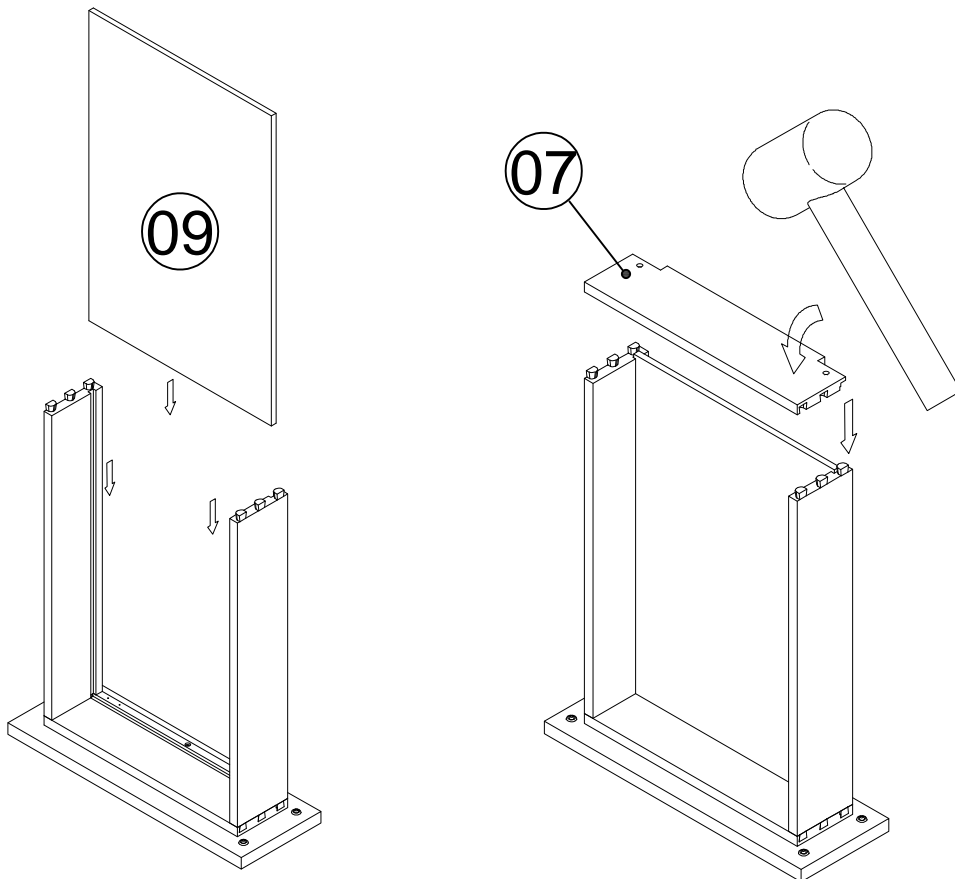
STEP10 H x 4



STEP11

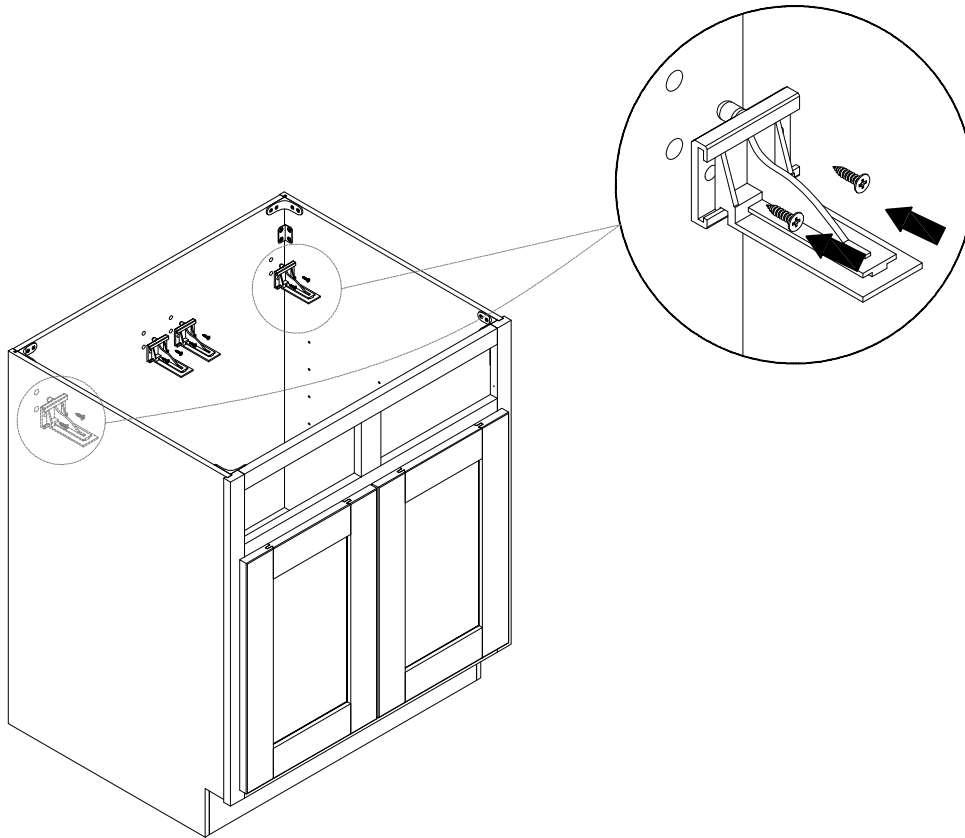


STEP12



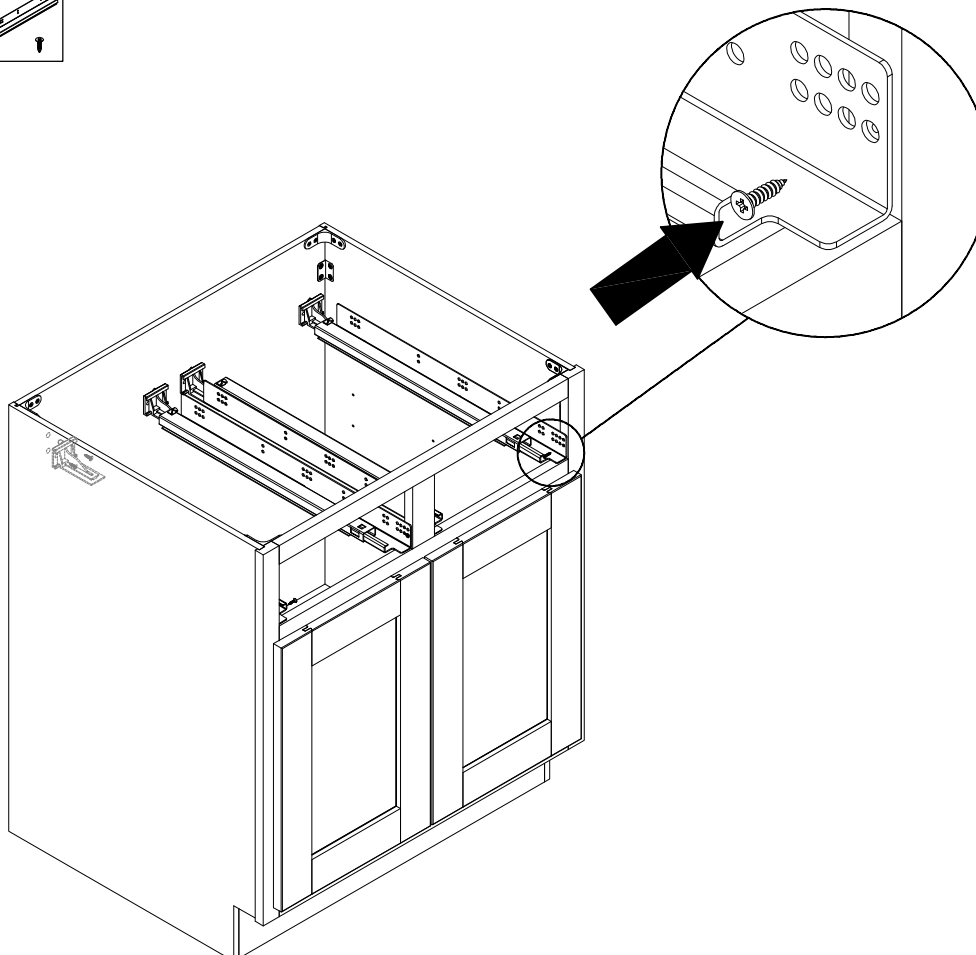
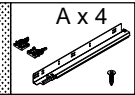
STEP13

A x 4

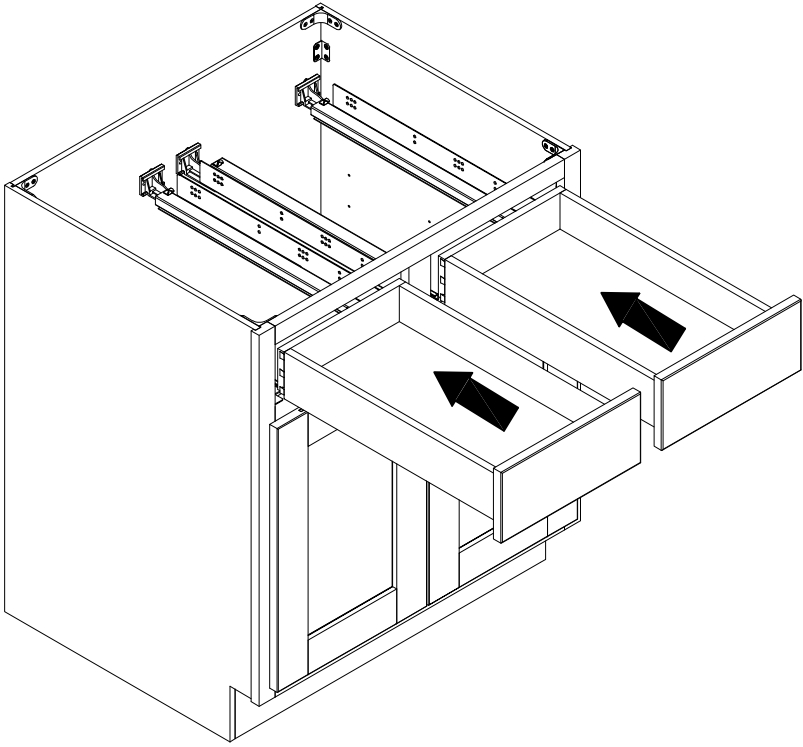


STEP14

A x 4



STEP15



STEP16

D x 4

