




WARNING!!

NEVER allow children to climb or hang on furniture, including drawers or cabinet doors.

In addition to installing the restrains, to help prevent tip-over

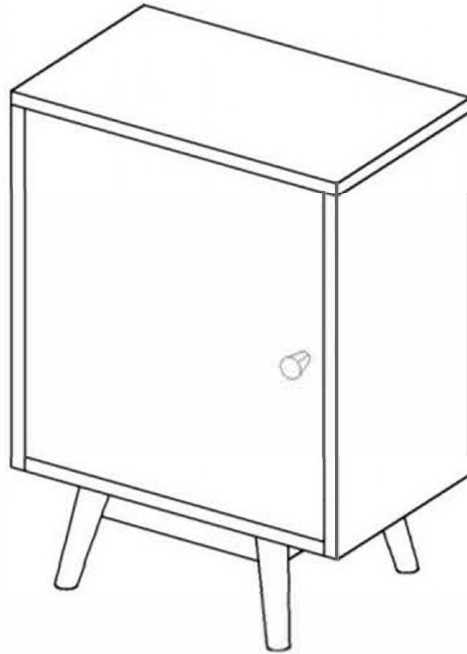
1. NEVER put a TV or other heavy objects on top of this product.
2. Do not stand on the product.

 WARNING	
	<p>Children have died from furniture tipover. To reduce the risk of furniture tipover:</p> <ol style="list-style-type: none">1. ALWAYS install tipover restraint provided.2. NEVER put a TV on this product.3. NEVER allow children to stand, climb or hang on drawers, doors, or shelves.4. NEVER open more than one drawer at a time.5. Place heaviest items in the lowest drawers.6. Do not defeat or remove the drawer interlock system.
	<p><i>This is a permanent label. Do not remove!</i></p>

Assembly Instructions

Caution : You must read this before you proceed

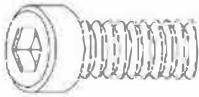





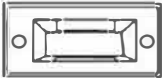
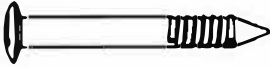


Bed Side



Parts List

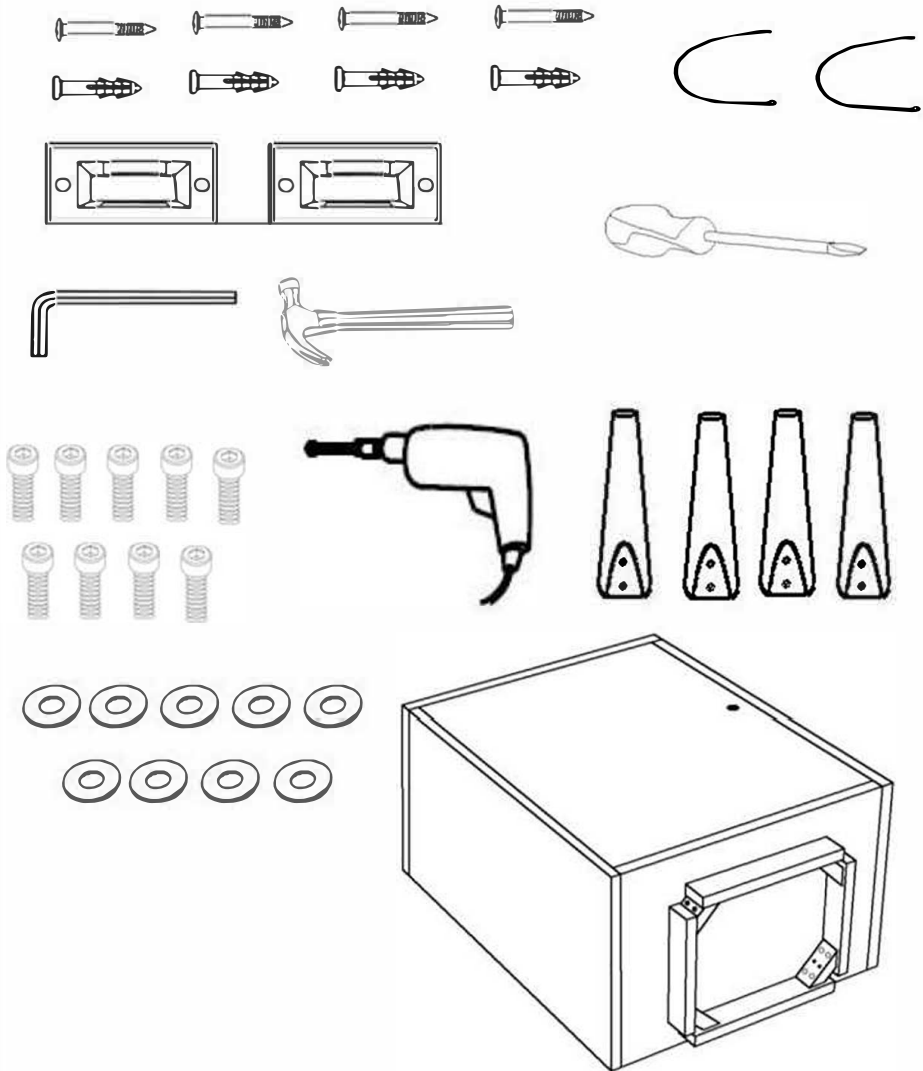
Label	Picture	Description	QTY
A	A line drawing of the top panel of the bedside cabinet. It is a rectangular piece with a handle on the front edge.	Top	1
B	A line drawing of a single leg of the bedside cabinet. It is a tapered, conical shape with a mounting hole at the base.	Leg	4

Hardware

Label	Picture	Description	QTY
①		Bolt (M8x40mm)	9
②		Washer	9
③		Allen Key	1
④		Screwdriver (not provided)	1
⑤		Hammer (not provided)	1
⑥		Power Drill (not provided)	1
⑦		Bracket	2
⑧		Wall Plug Screw (M4x30mm)	4
⑨		Wall Plug (6x30 mm)	4
⑩		Tipover Restraint Strap	2

Assembly Preparation

**Before
Beginning
Assembly:**



- Read instructions, cover to cover-



- Have 2 adults on hand for assembly-



- Do not assemble on flooring or carpet-



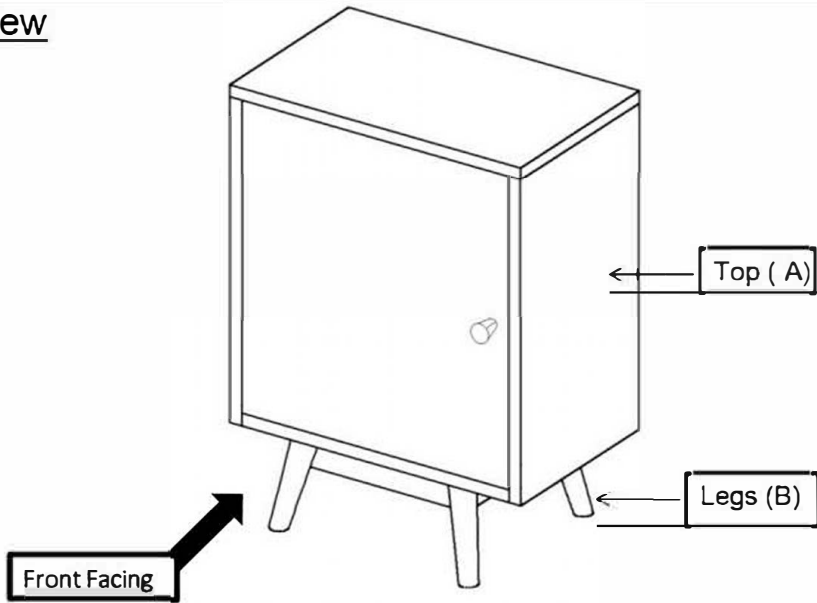
- Assemble on a clean non-marring surface (packing foam)-



- Save all packaging until finished-

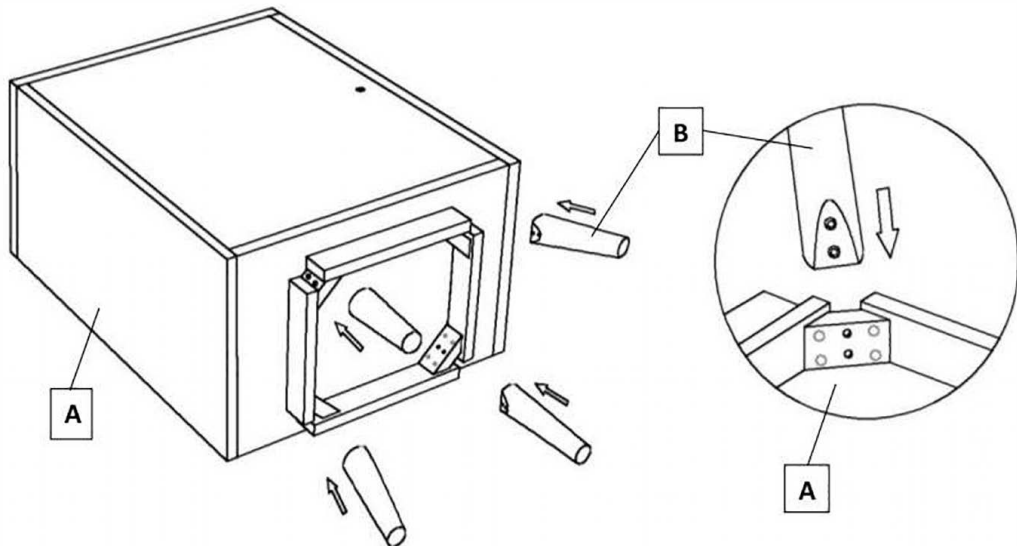
Assembly Steps

Overview



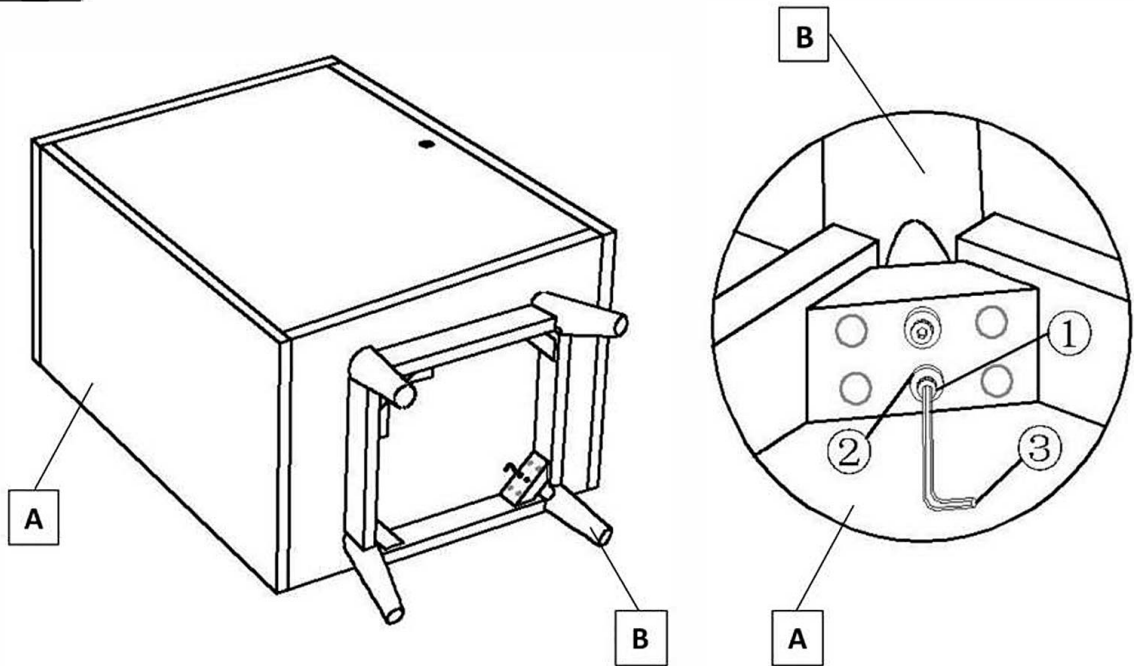
This Bedside has multiple parts and may require up to some 30 minutes to assemble. To give you an overview of the Bedside parts, the above picture is to help you put the various parts into perspective. Please read through the instructions below to familiarise yourself with the parts and steps before assembly.

Step 1



With assistance from your adult partner, place the Bedside Top (A) face down as picture, on clean, non-marring surface.
As shown in "Step 1" picture Affix the Leg (B) in to the Top (A).

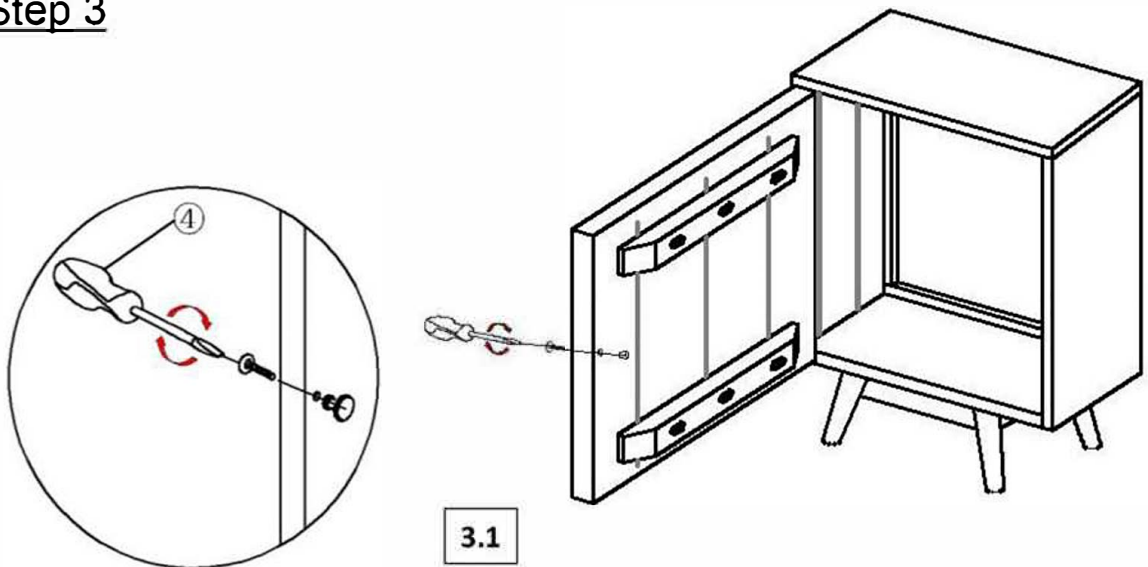
Step 2

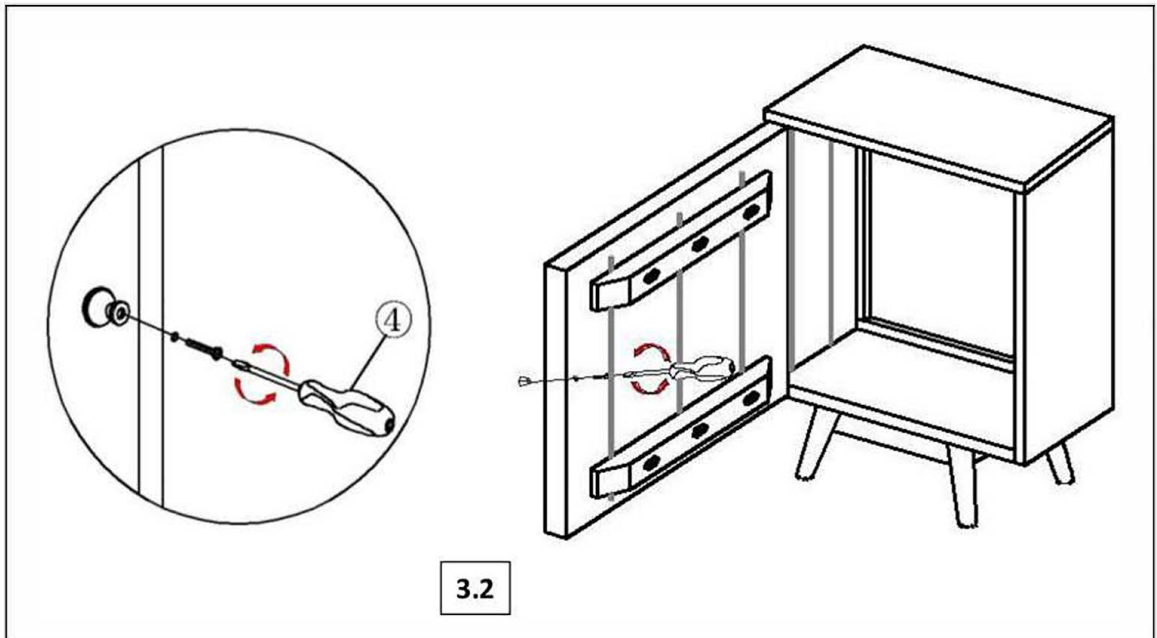


As shown in "Step 2" picture Affix the Leg (B) in to the Top (A) by using Allen Bolt (①) , Washer (②) and Allen Key (③) .

DO NOT FULLY TIGHTEN THE LEGS.

Step 3



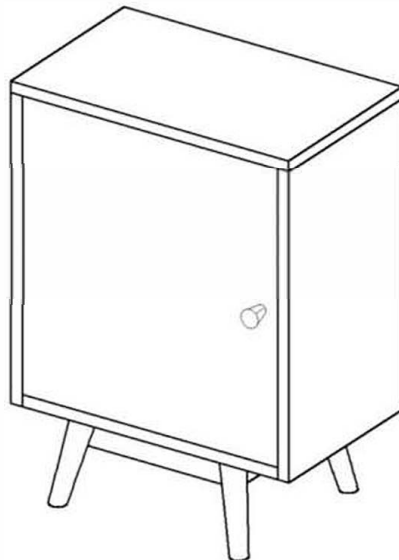


With help of your adult partner, carefully stand the Bed side .

3.1) Open the Door and de-attach the knob which is attached inside the Door in Anti-clockwise using Screwdriver (④) .

3.2) Install the knob with the help of Screwdriver (④) clockwise as picture above.

Step 4



Check the product if stable and not wobbling. Once done, tighten all the legs to secure the Bed side.

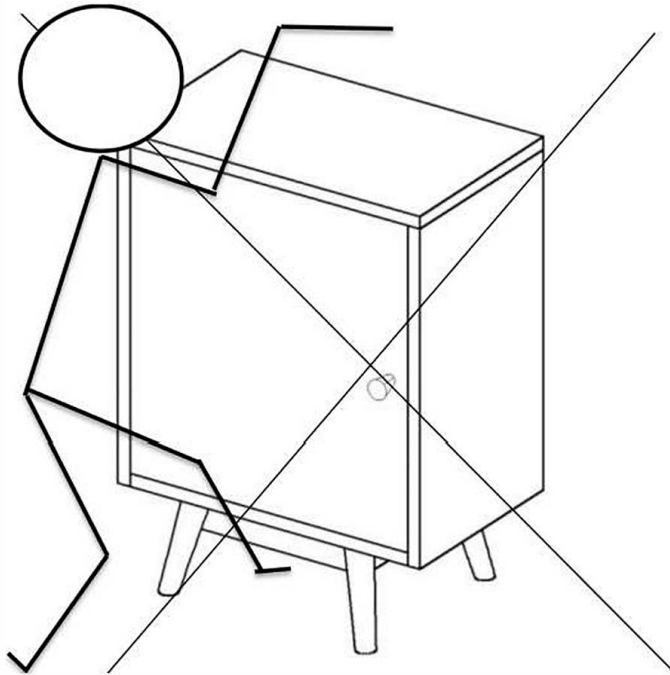
This Bedside is now ready to use.

Caution: This Bedside can only be used on flat, level surface

Tipover Restraint Device Installation Instructions



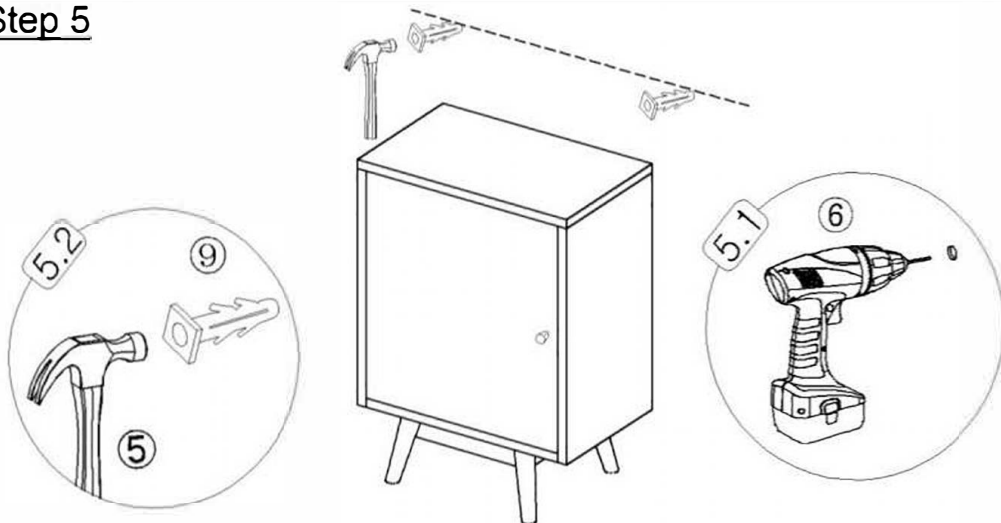
Serious or fatal crushing injuries can occur from tipping furniture.
To help prevent tip-over: ALWAYS secure this furniture to the wall using
Tipover Restraint Device.
See product instructions for more ways to help prevent furniture tip-over.



Usage For Tipover Restraint Device:

To secure Cabinet against wall, attach two Brackets (⑦) on wall and use Tipover Restraint Strap (⑩) to connect the Brackets (⑦) with the Cabinet.

Step 5



5.1) Drill two holes on wall at same height as Brackets (7) on Cabinet with Power Drill (6).

You can mark these points in two ways as below:

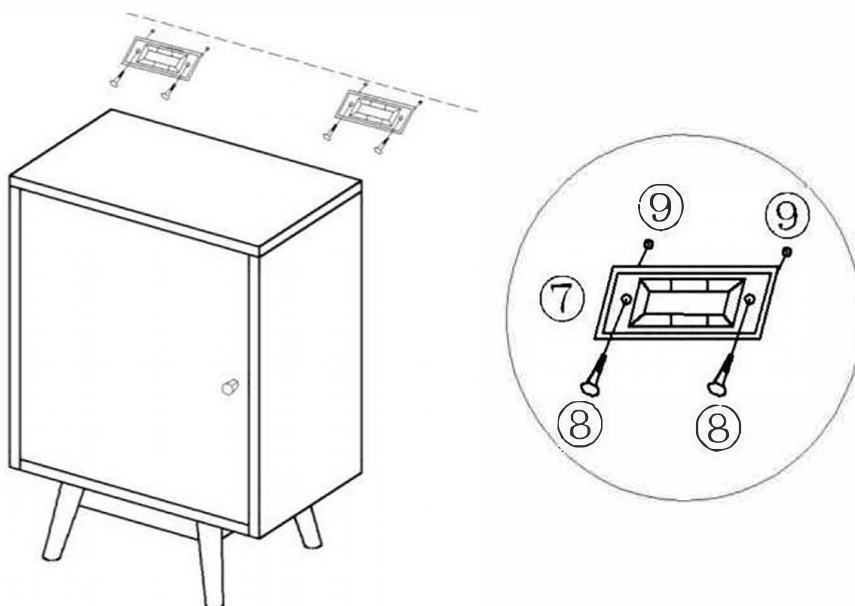
1) Move the Bed side back to the wall. Mark two points same height as Bed side on the wall.

Note: The Brackets need to be secured to solid, load bearing surface. Please use a Stud Finder(not supplied) if needed to locate the Wall Frame.

2) Measure the height of the Brackets (7) with ruler/measuring tape and mark on wall to keep them accurate and same height.

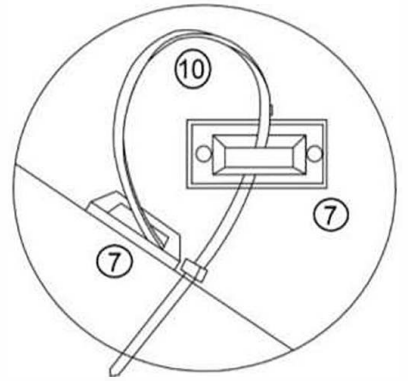
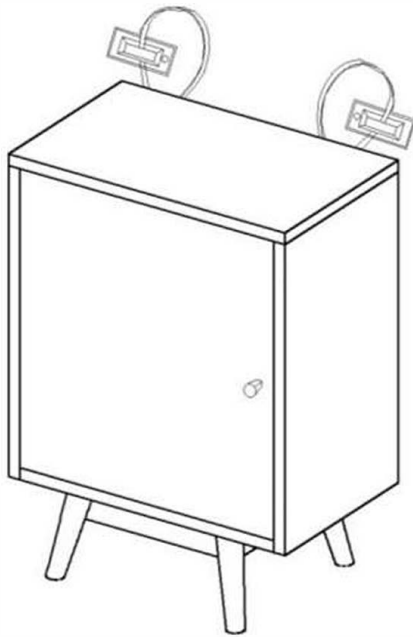
5.2) Insert Wall Plugs (9) into drilled holes on wall with Hammer (5).

Step 6



Attach Brackets (7) to Wall Plugs (9) using Wall Plug Screws (8) with Screwdriver (4).

Step 7














Move Bed Side to the wall.

Pull the Tipover Restraint Straps (10) through the Brackets (7) on the wall and Bed side one by one, and pull the Tipover Restraint Straps (10) tight. This Bed side is now ready to use.

Caution: This Bed side can only be used on flat, level surface.

Care & Maintenance

-  ● Furniture may scratch floors. We recommend using furniture pads to protect your floors.
-  ● Do not put hot items directly on furniture surface.
-  ● Do not clean furniture with harsh cleansers or polish.
-  ● Do not place furniture under direct sunlight.
-  ● Do not place furniture near heating or cooling vents.
-  ● Do not write on furniture without a padded barrier to protect the surface.
-  ● Do not place furniture outside . For indoor use only.
-  ● Not for commercial use. For residential use only.
-  ● Stains may be removed with mild soap solution and damp cloth.
-  ● Children should not climb or jump on the furniture.
-  ● Dust and pick-up spills using a clean, non-colored, lint-free cloth.