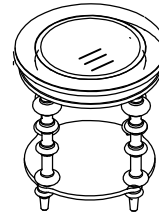




# ASSEMBLY INSTRUCTIONS

370-918



## BEFORE YOU START:

1. Check the parts against the parts list to make sure all items are present.
2. Assemble your furniture on a soft, flat surface to avoid scratching the finish.
3. **CAUTION:** Do not over tighten screws, nuts or bolts during assembly.
4. Your furniture may require occasional tightening.

## INSTRUCTIONS:

1. Turn the table upside down on to a clean soft surface. Attach four legs to the table top as shown in Figure 1.
2. Attach the lower legs and shelf to the bottom as shown in Figure 2.
3. Turn the table upright. Attach glass top to the top frame using Clear bumper (A) as shown in Figure 3

Figure 1

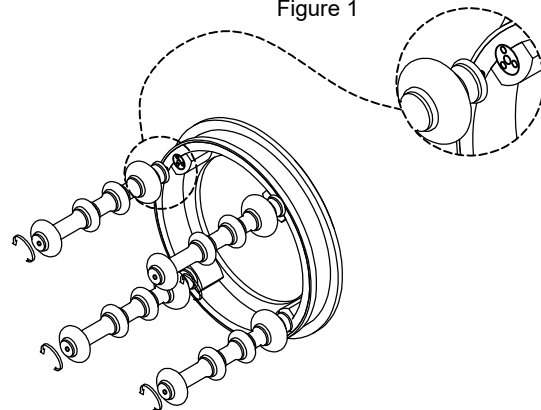


Figure 2

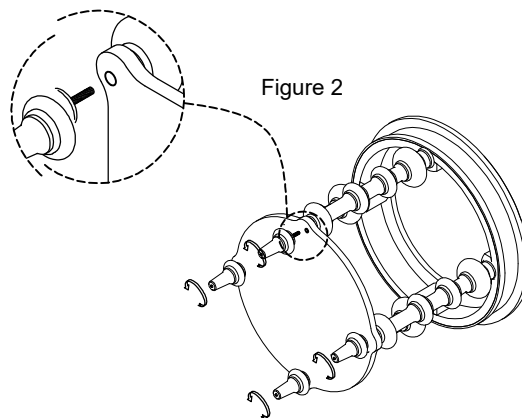
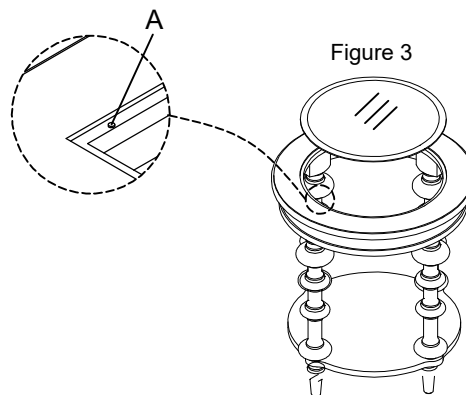


Figure 3



HARDWARE LIST			
NO.	Drawing	Description	Q'TY
A		Clear bumper (Ø8*15mm)	4 pcs