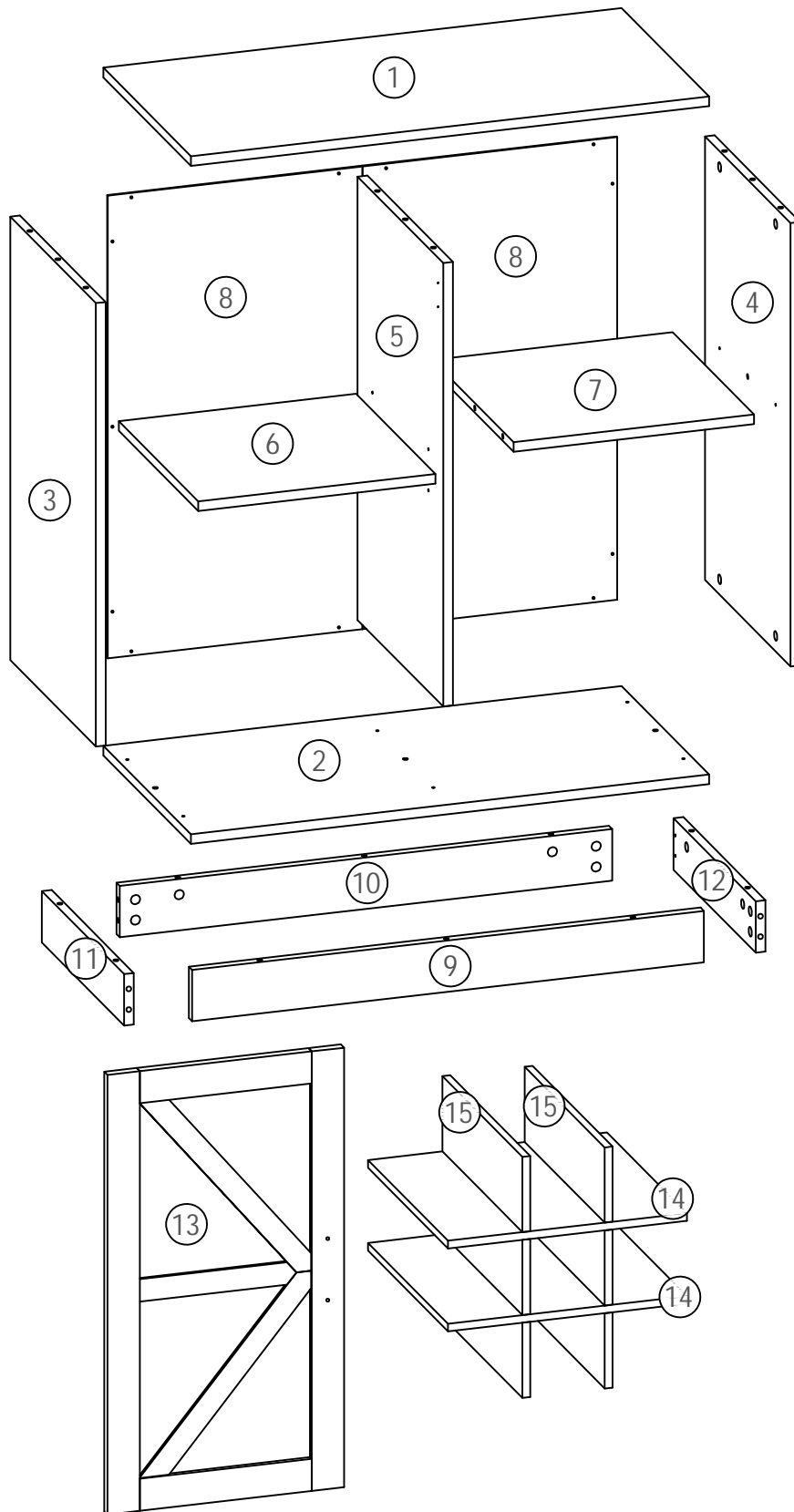


Barn Door Wine Cabinet

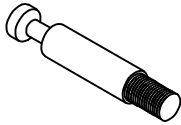
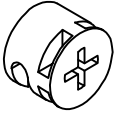
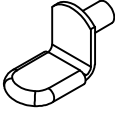
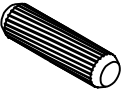
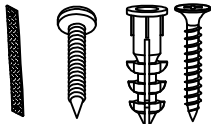

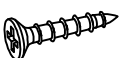
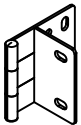
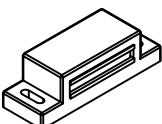




Assembly Instructions

NOTE: This instruction manual contains **IMPORTANT** safety information.
Please read carefully before assembling the product

List of Parts

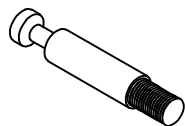


List of Hareware

No.	Hare ware	Quanti ty
A		32
B		32
C		4
D		10
E		2
F		1
G		14
H		2
I		1
J		2
K		17
L		2
M		1

STEP1

A

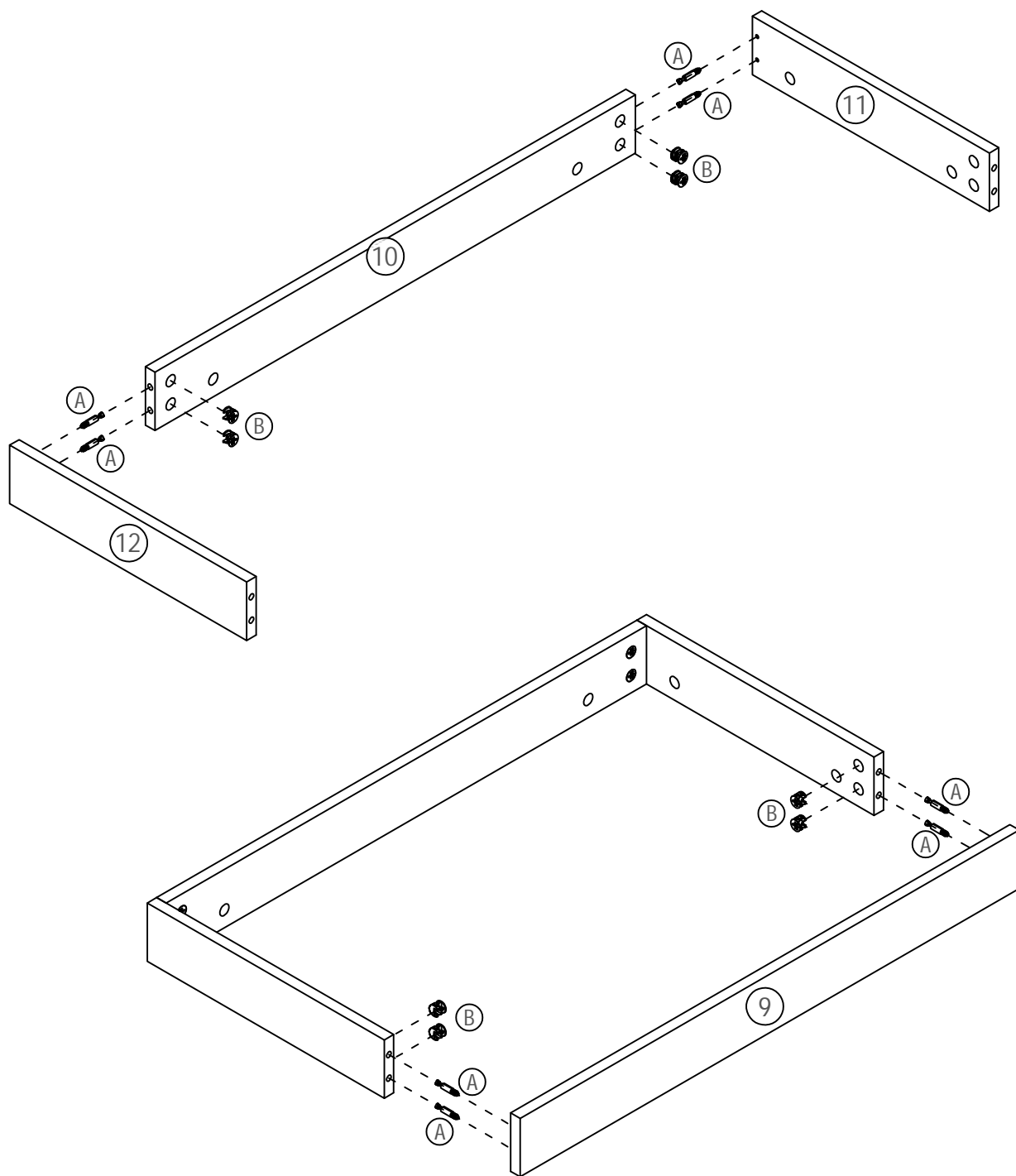


8 PCS

B

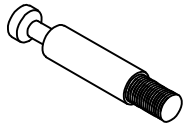


8 PCS



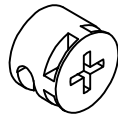
STEP2

A



8 PCS

B

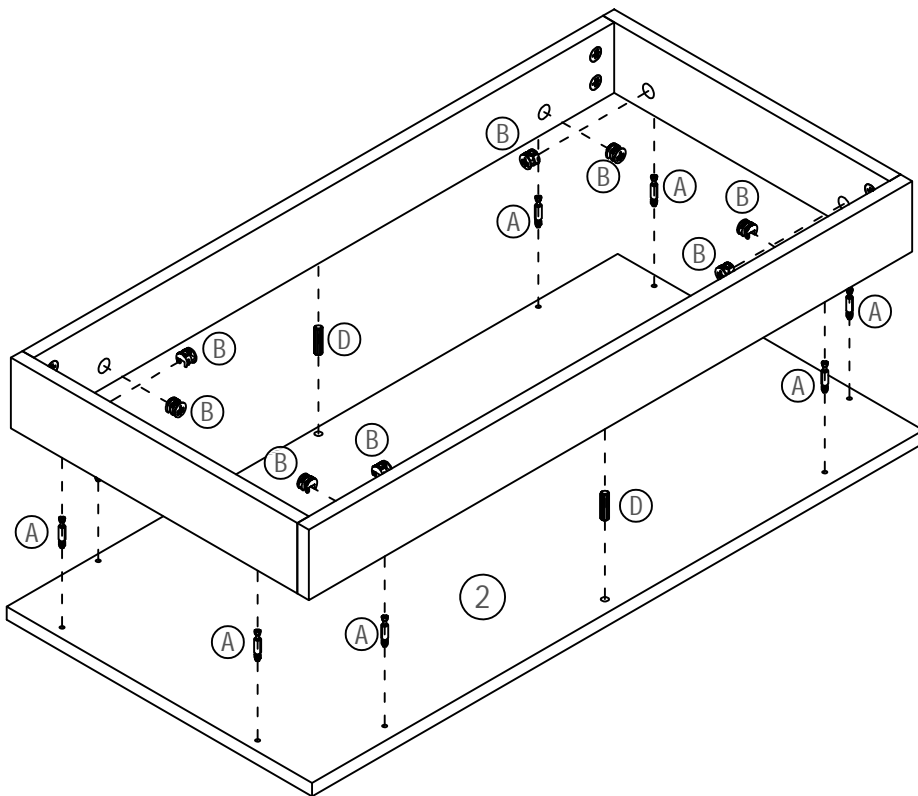


8 PCS

D

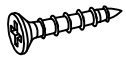


2 PCS



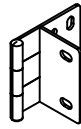
STEP3

G



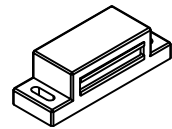
8 PCS

H



2 PCS

I

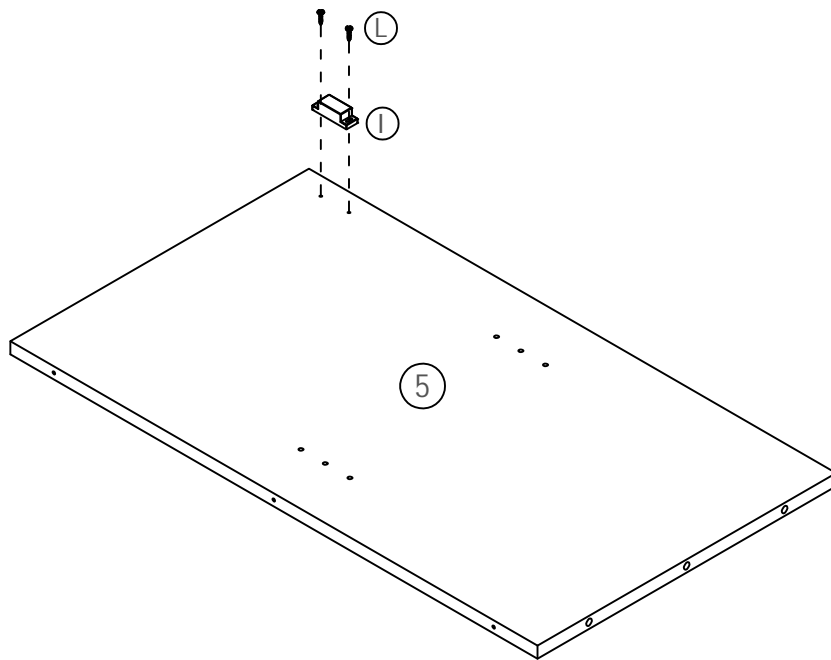
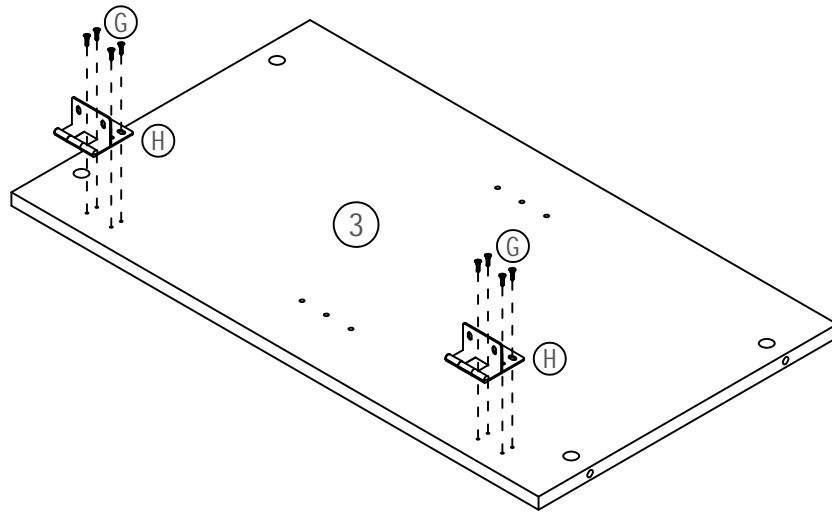


1 PCS

L

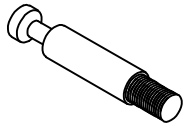


2 PCS



STEP4

A



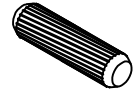
4 PCS

B

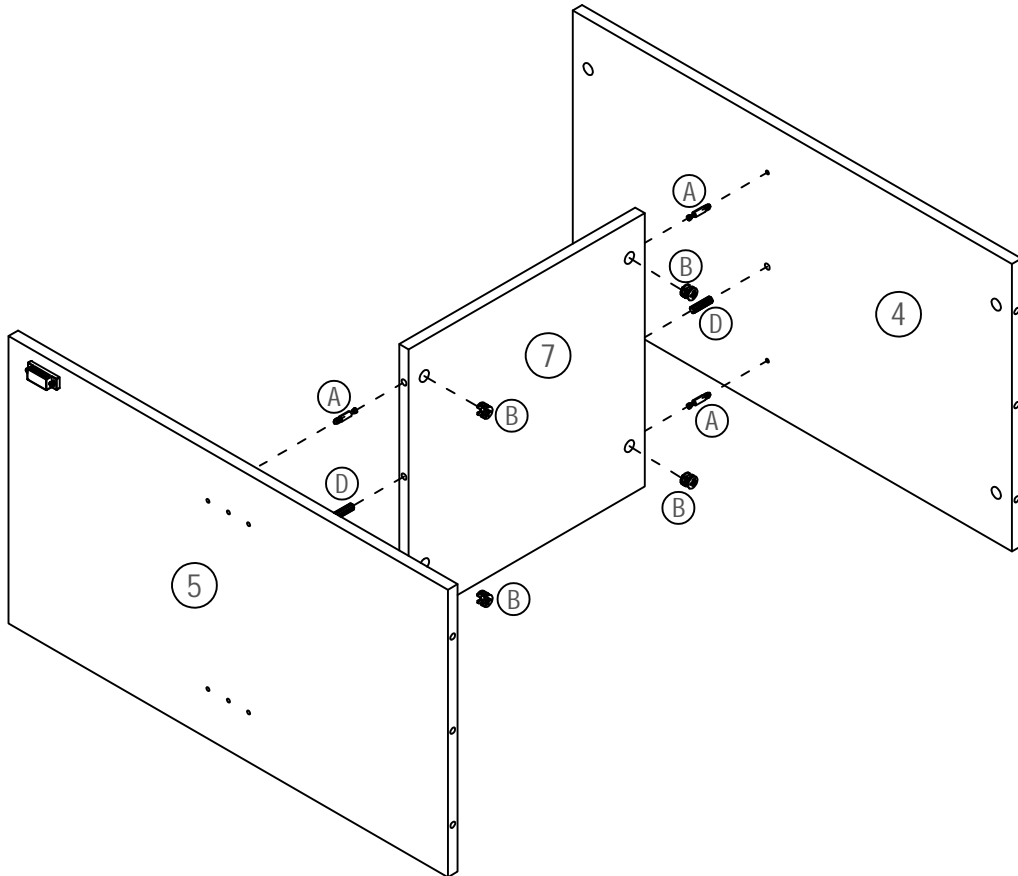


4 PCS

D

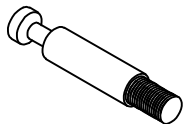


2 PCS



STEP5

A



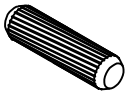
6 PCS

B

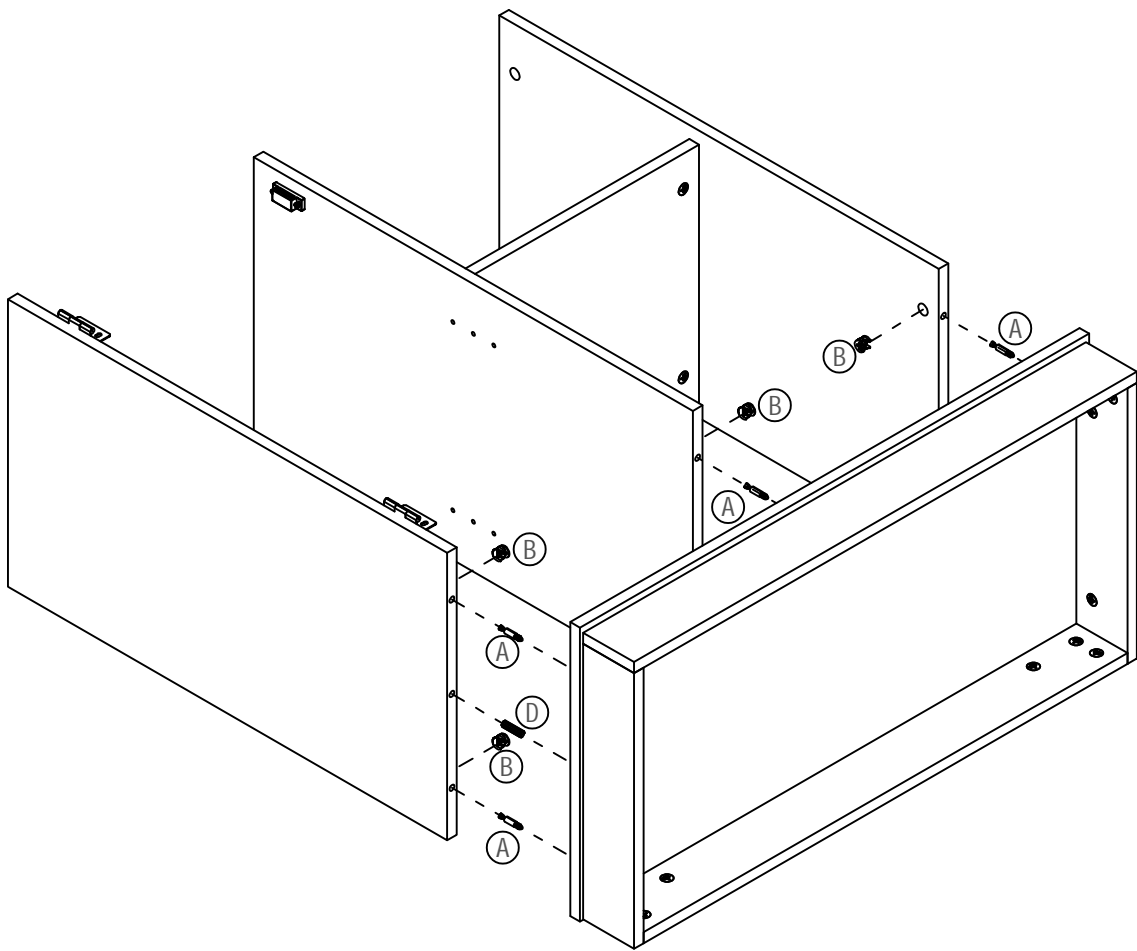


6 PCS

D

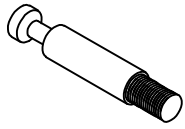


3 PCS



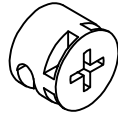
STEP6

A



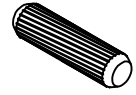
6 PCS

B

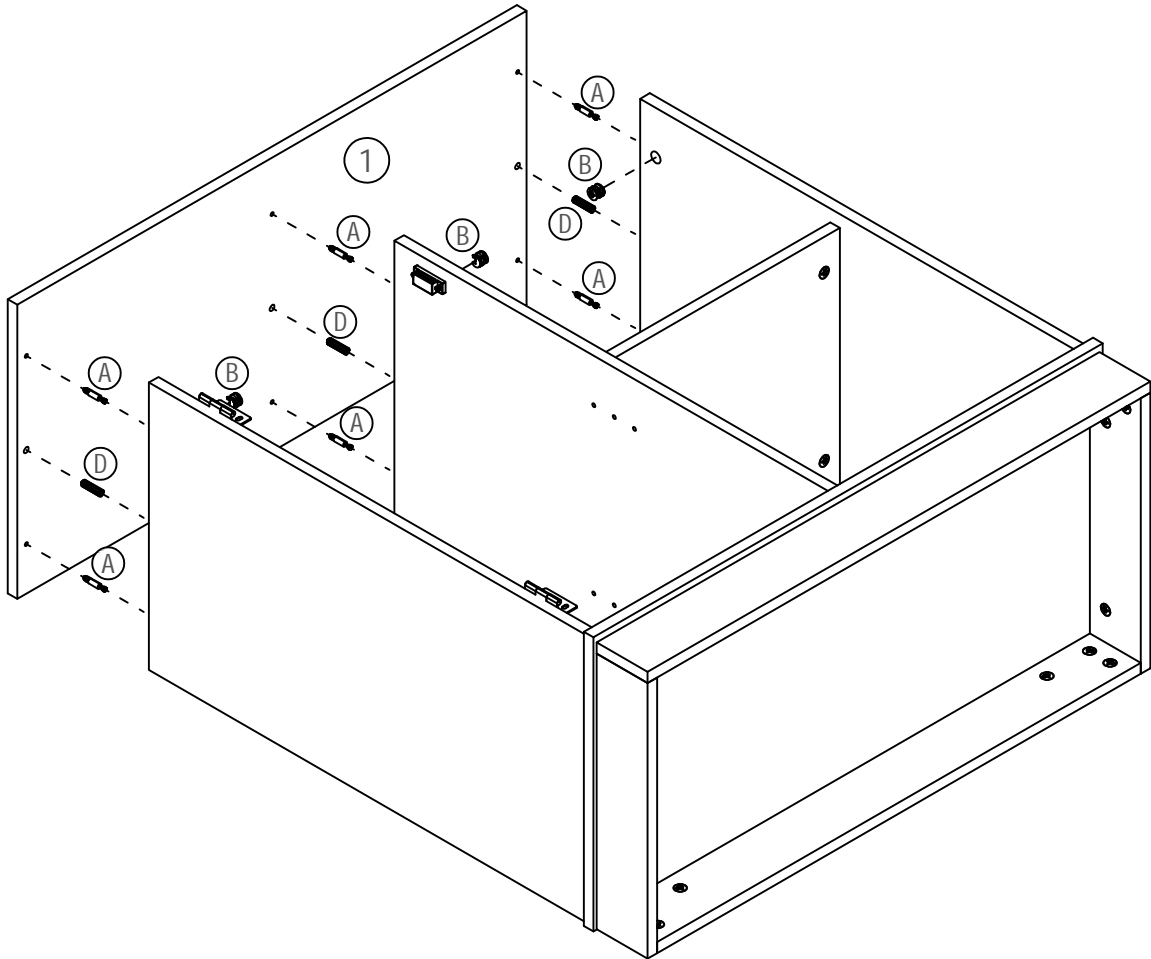


6 PCS

D

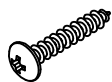


3 PCS

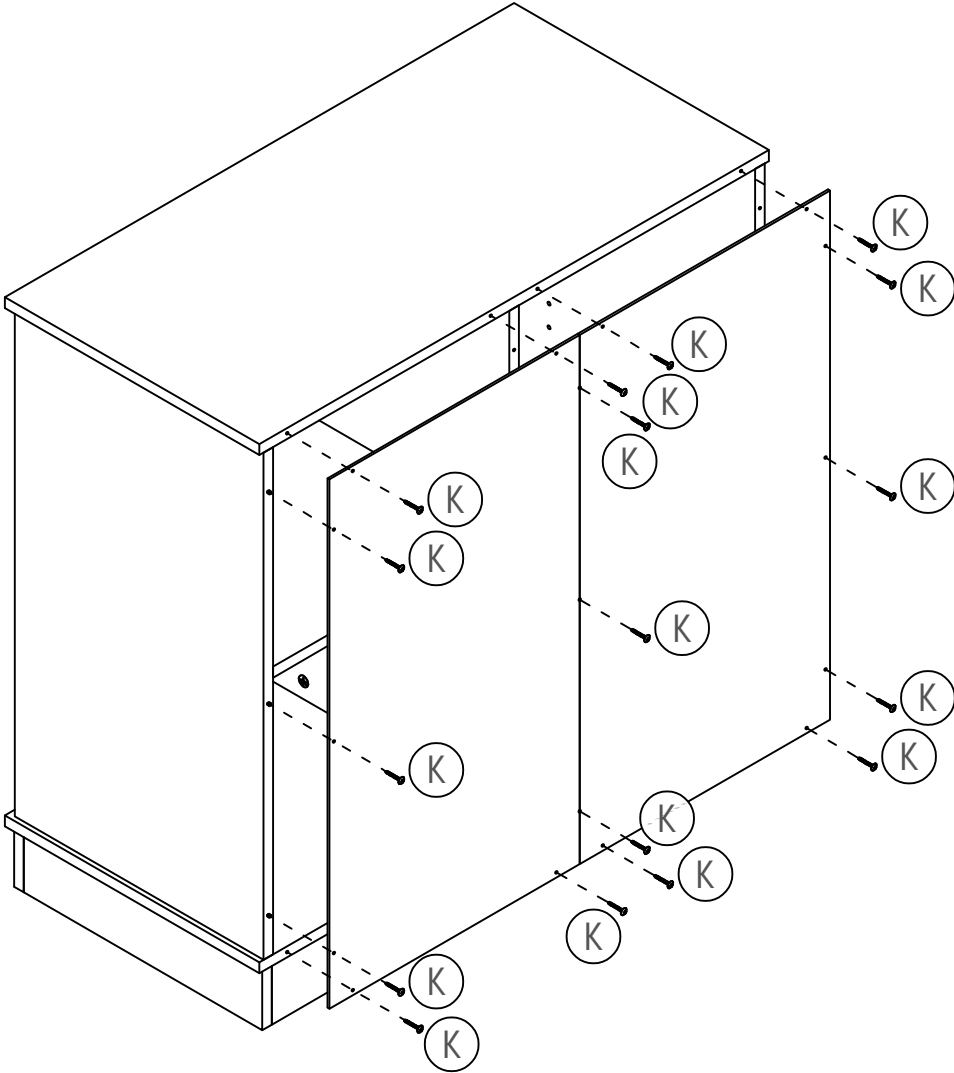


STEP 7

(K)

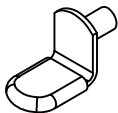


17 PCS

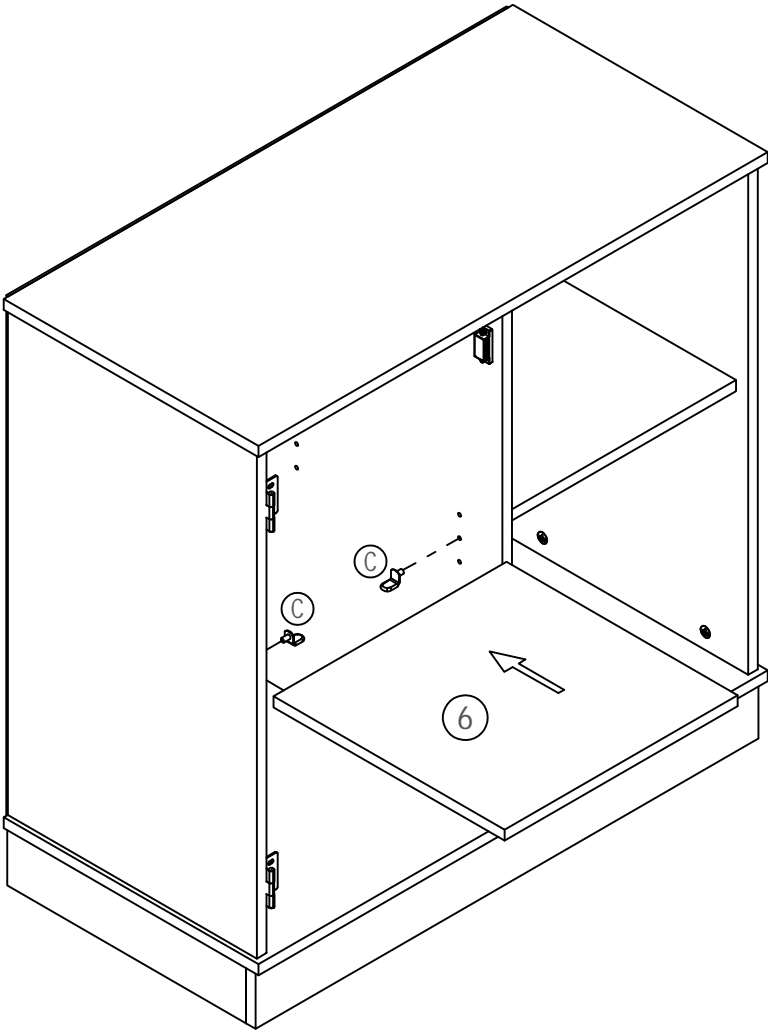


STEP8

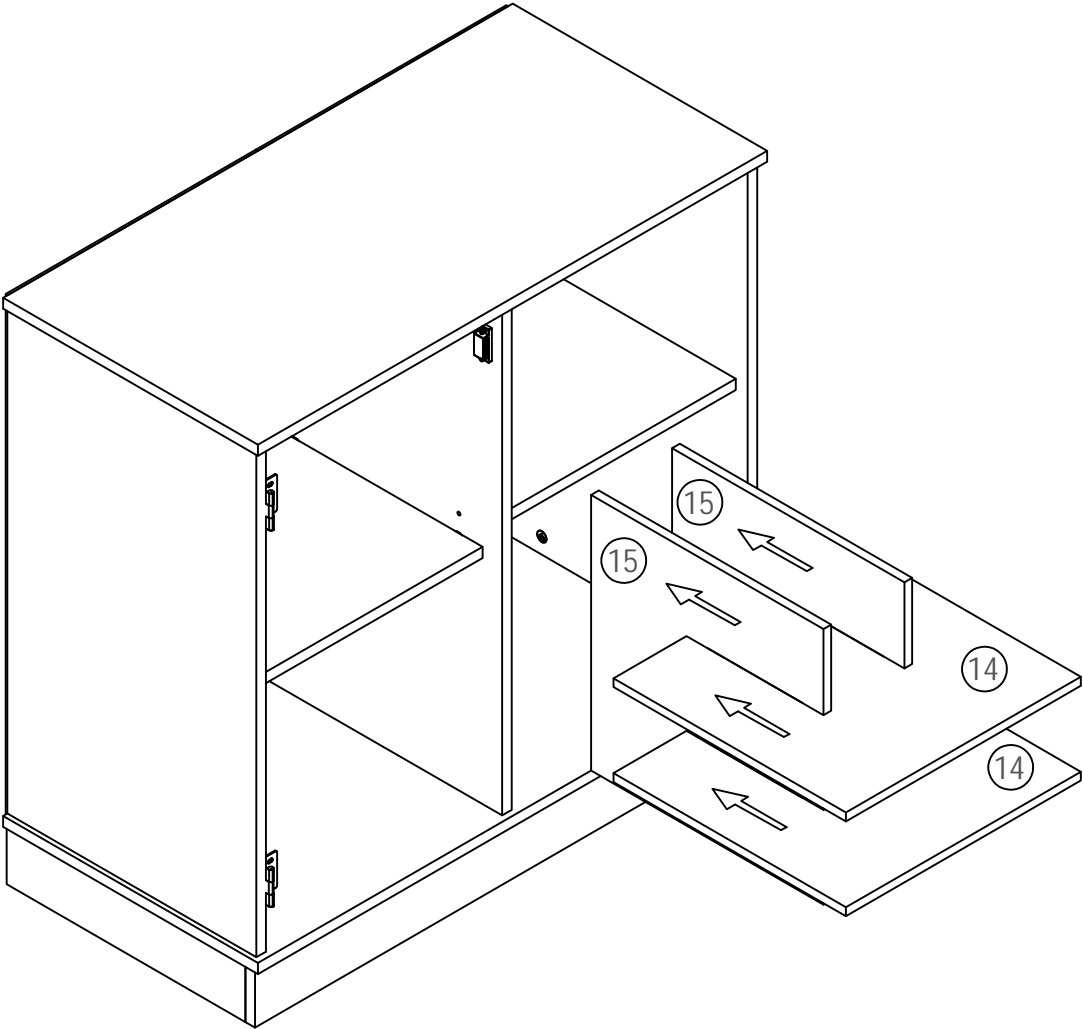
C



4 PCS

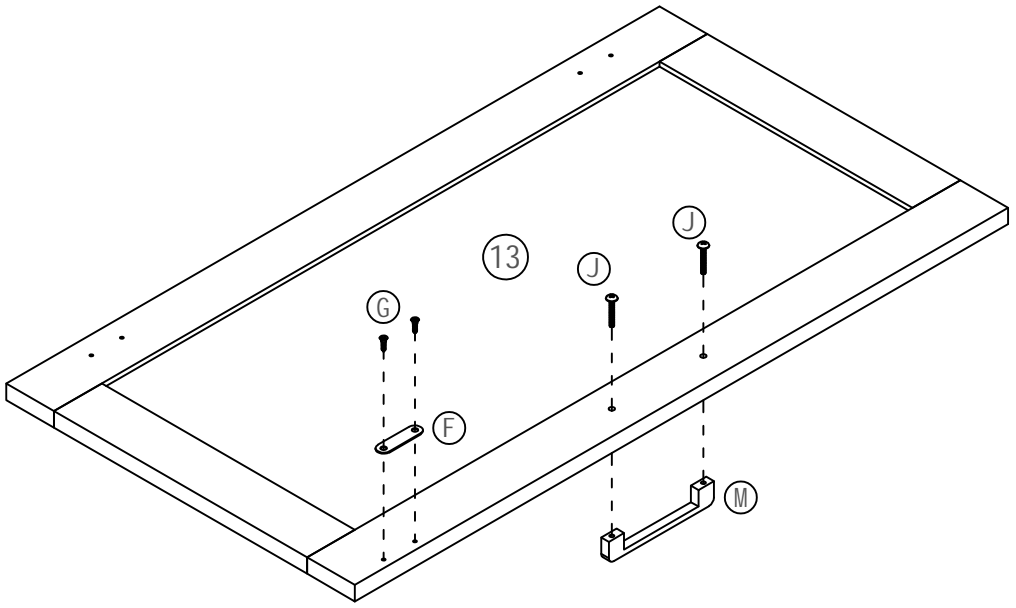


STEP 9



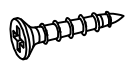
STEP10

ⓐ 2 PCS	ⓕ 1 PCS	ⓙ 2 PCS
Ⓜ 1 PCS		

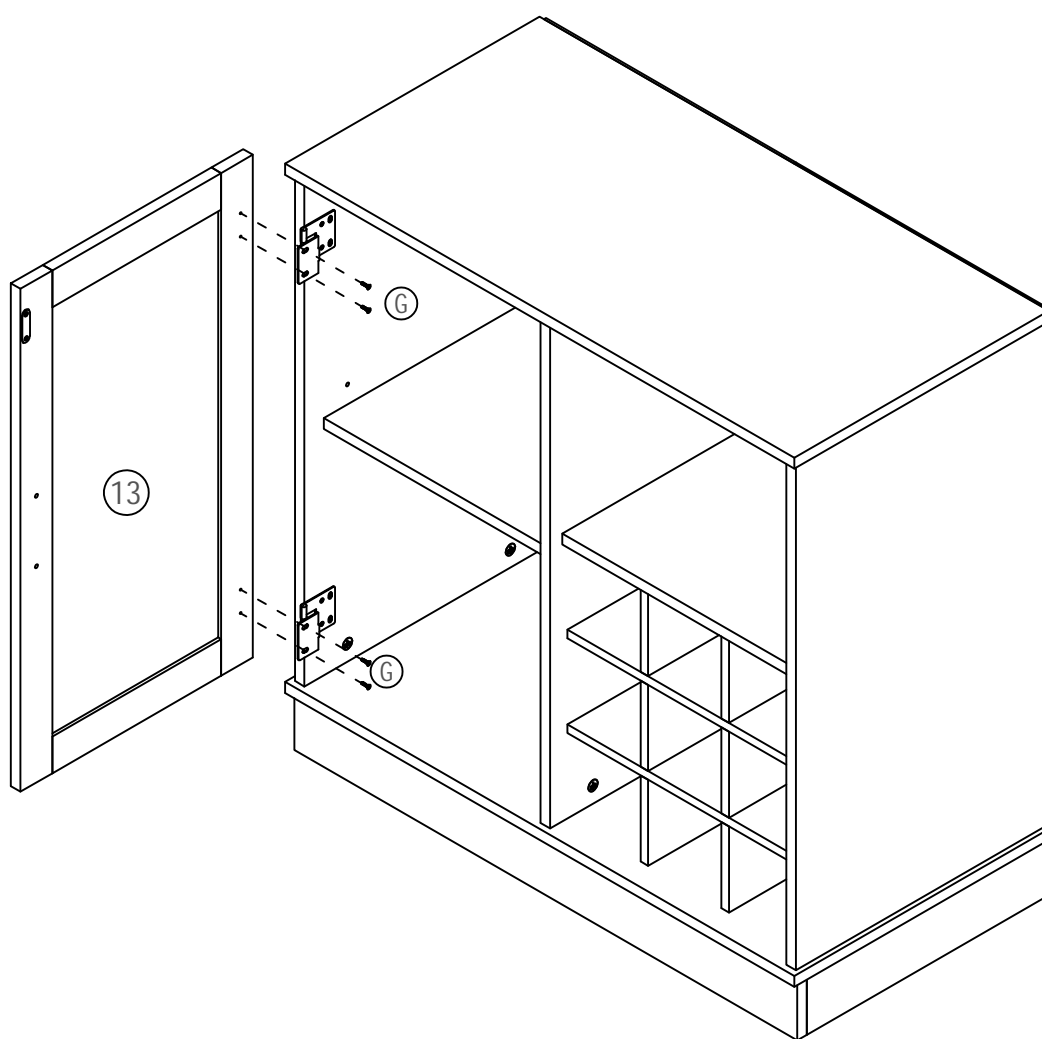


STEP11

G



4 PCS



STEP 12

