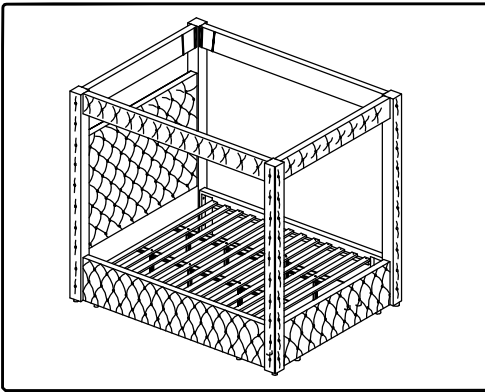


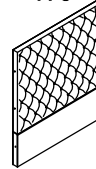
ASSEMBLY INSTRUCTIONS

KING BED

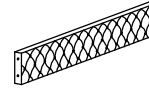


+ Parts Included

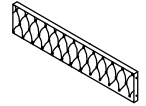
① HEADBOARD
1 PC



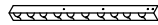
② FOOTBOARD
1 PC



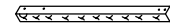
③ SIDE RAIL
2 PCS



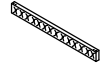
④ HB COLUMNS (L+R)
2 PCS



⑤ FB COLUMNS (L+R)
2 PCS



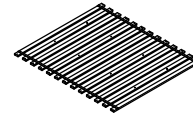
⑥ UPPER LONG PANELS
2 PCS



⑦ UPPER SHORT PANELS
2 PCS



⑧ SLAT
1 SET



⑨ SUPPORT RAIL
2 PCS



⑩ SUPPORT LEG
8 PCS



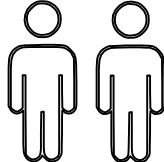
⑪ LEG
12 PCS



+ Do Not Use
Power Tools



+ Suggested
Adults



NOTE :

- 1 Read instruction cover to cover.
- 2 Save all packaging until assembly is completed.

1 IMPORTANT SAFETY INFORMATION

Do not assemble the product if any of the following parts arrived damaged:

- Part 1 - Headboard
- Part 2 - Footboard
- Part 3 - Side Rail
- Part 4 - HB Columns
- Part 5 - FB Columns
- Part 6 - Upper Long Panels
- Part 7 - Upper Short Panels

2 IMPORTANT ASSEMBLY INFORMATION

Assembly Step Ensure the side rail bracket is fully hooked onto bolt loosely threaded with both washers on the OUTSIDE of the bracket first, then proceed to fully tightening all 4 corners.

*Slats come packed behind the of headboard panel.

+ Hardware Included

A THREADED STUD
Ø5/16" x 3-1/8" (34PCS)



B FLAT WASHER
Ø5/16" x Ø19MM (34PCS)



C LOCK WASHER
Ø5/16" x Ø12MM (34PCS)



D HEX NUT
Ø5/16" x 12MM (34PCS)



E SCREW
M4 x 38MM (26PCS)



F WRENCH
12MM (1PC)



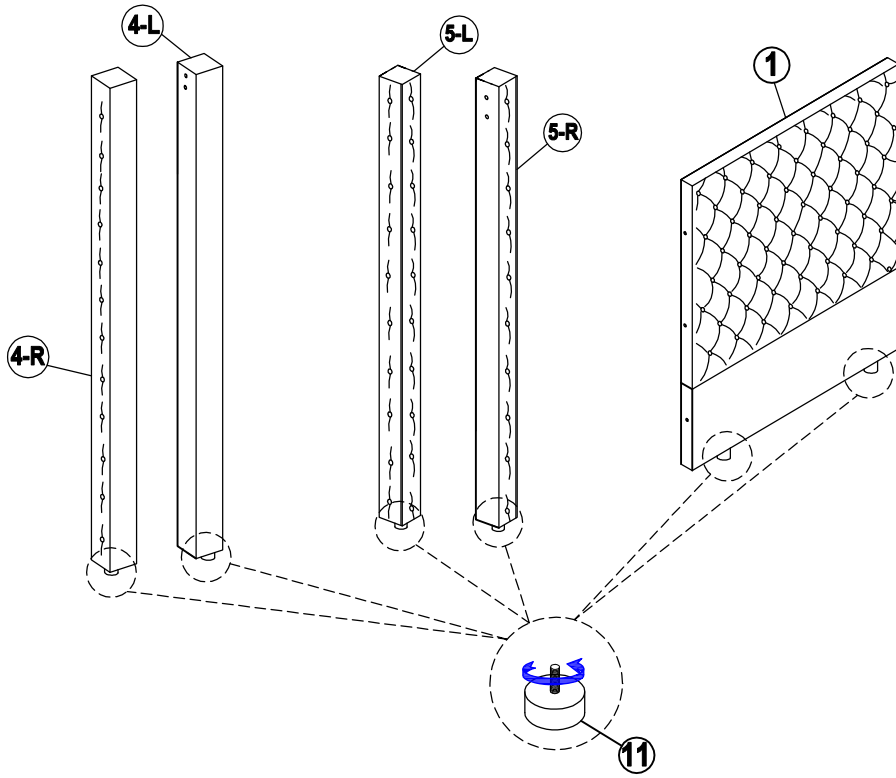
G ALLEN WRENCH
5MM (1PC)



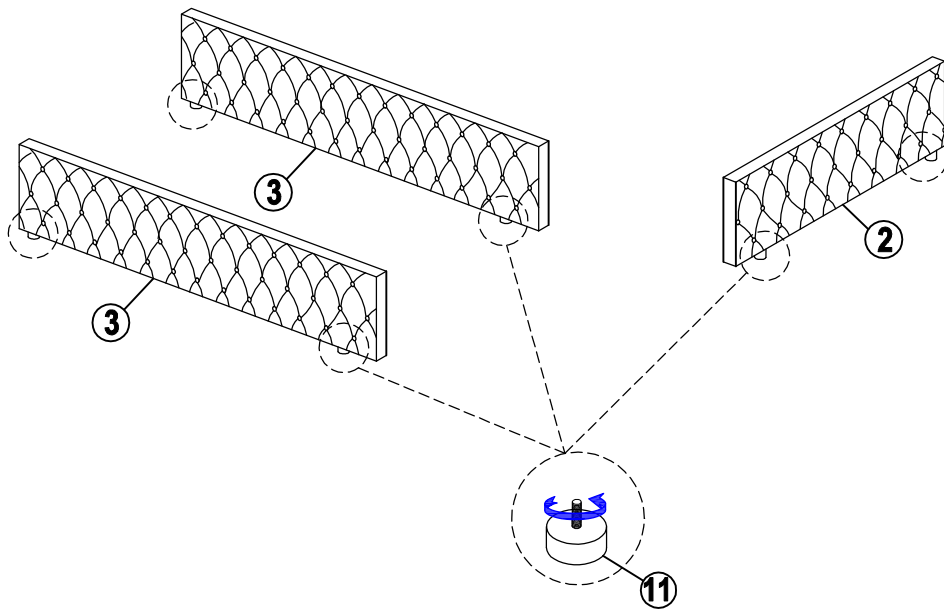
ASSEMBLY INSTRUCTIONS

KING BED

1



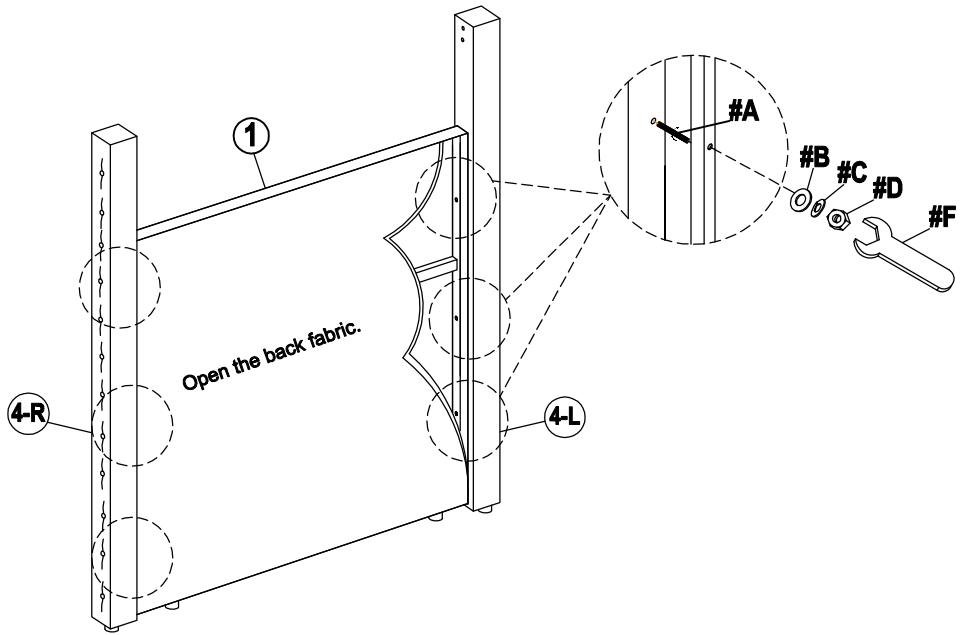
2



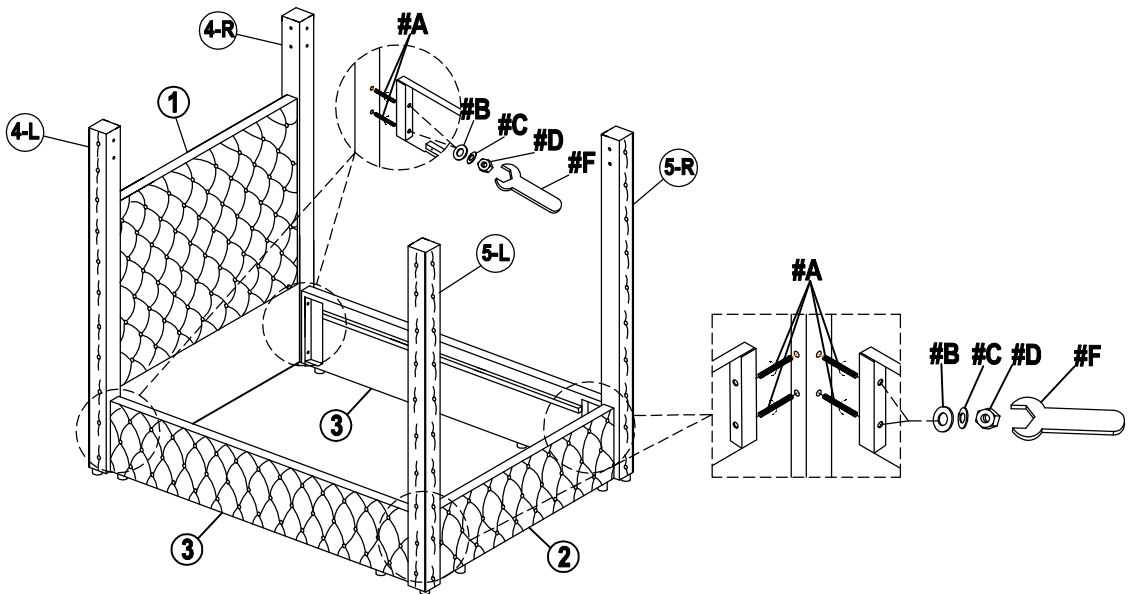
ASSEMBLY INSTRUCTIONS

KING BED

3



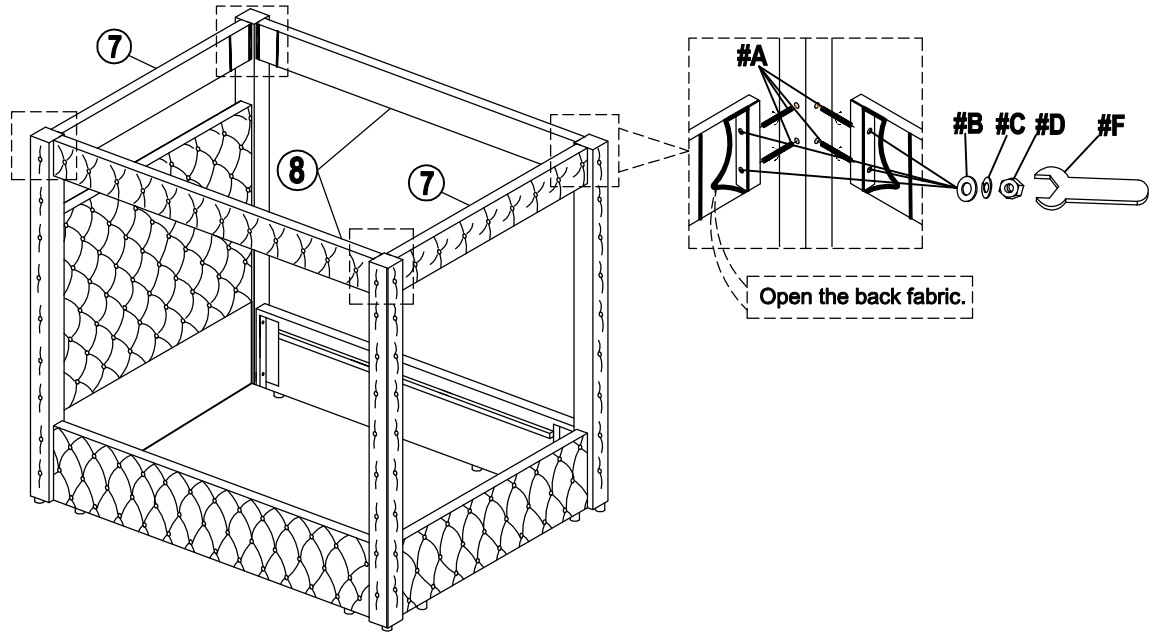
4



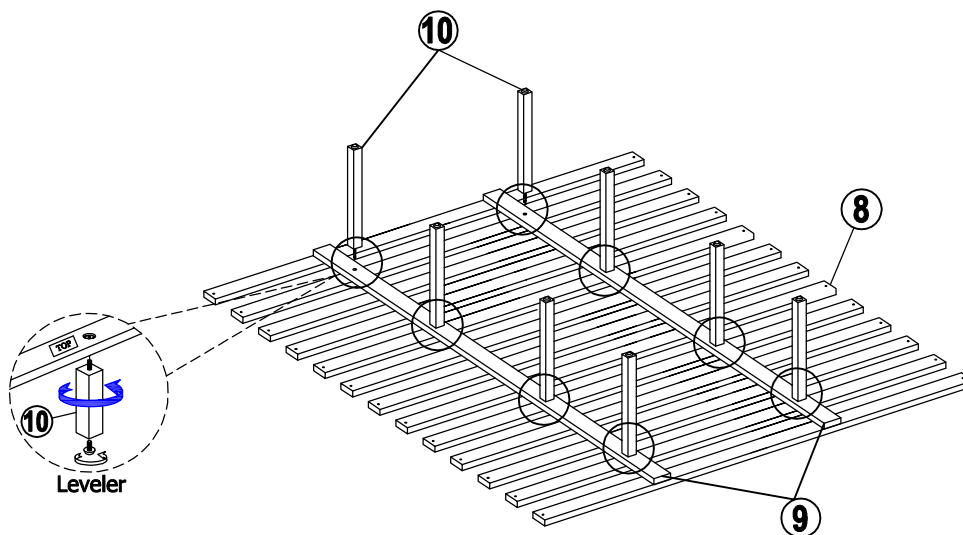
ASSEMBLY INSTRUCTIONS

KING BED

5



6

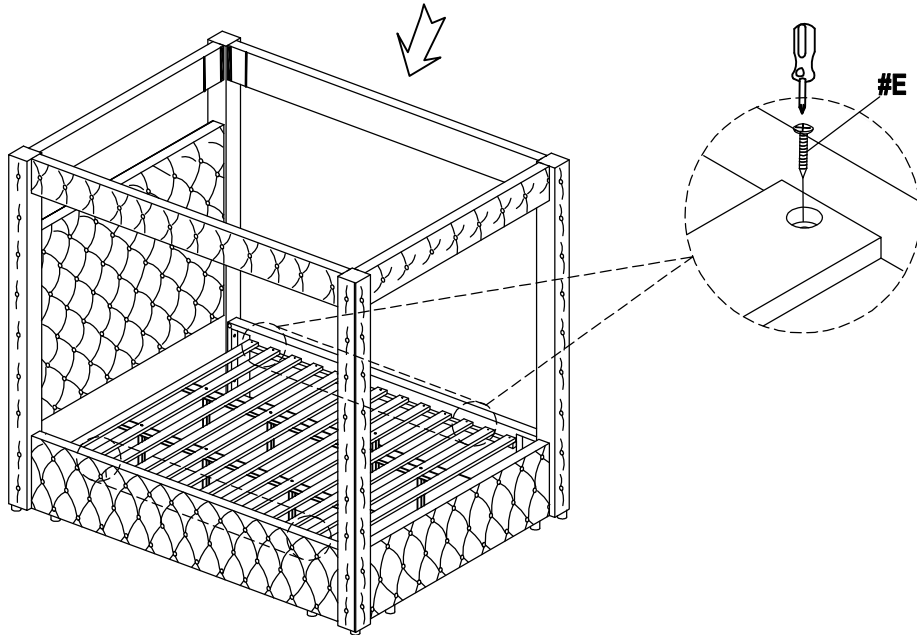


ASSEMBLY INSTRUCTIONS

KING BED

7

SLAT



Assembly complete

