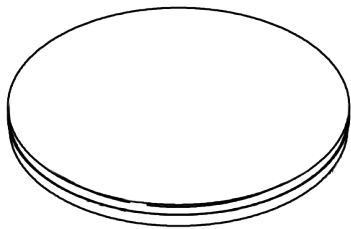


Assembly Manual



1



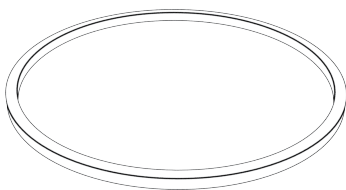
1pc

2



3pcS

3



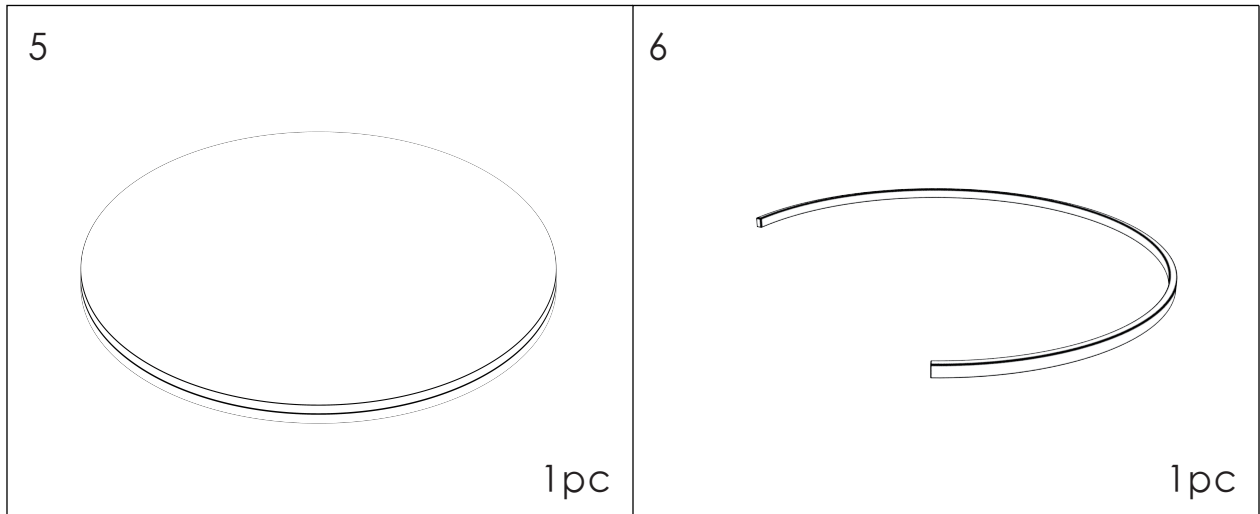
1pc

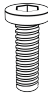


4

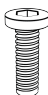



3pcS

Assembly Manual

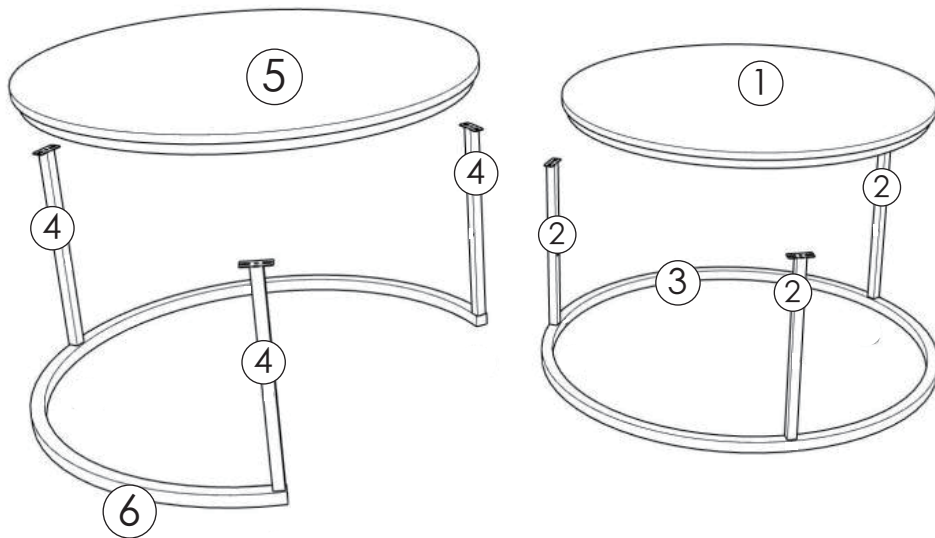


Hardware Accessories								
NO.	PICTURE	SIZE	QTY		NO.	PICTURE	SIZE	QTY
A		M6*L13mm	12		B		M6*L35mm	6
C			1					

SPARE								
NO.	PICTURE	SIZE	QTY		NO.	PICTURE	SIZE	QTY
A		M6*L13mm	1		B		M6*L35mm	1

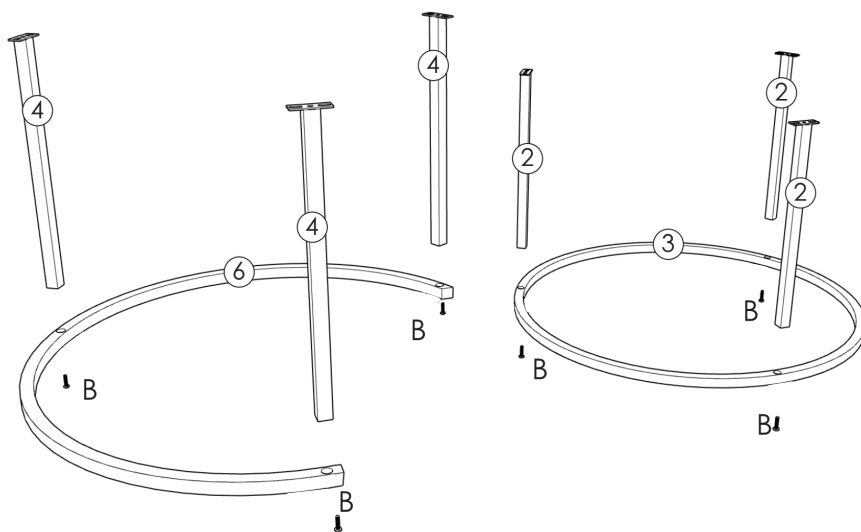
Before assembly, please put all parts on a neat and clean sheet

Exploded View



Installation procedures

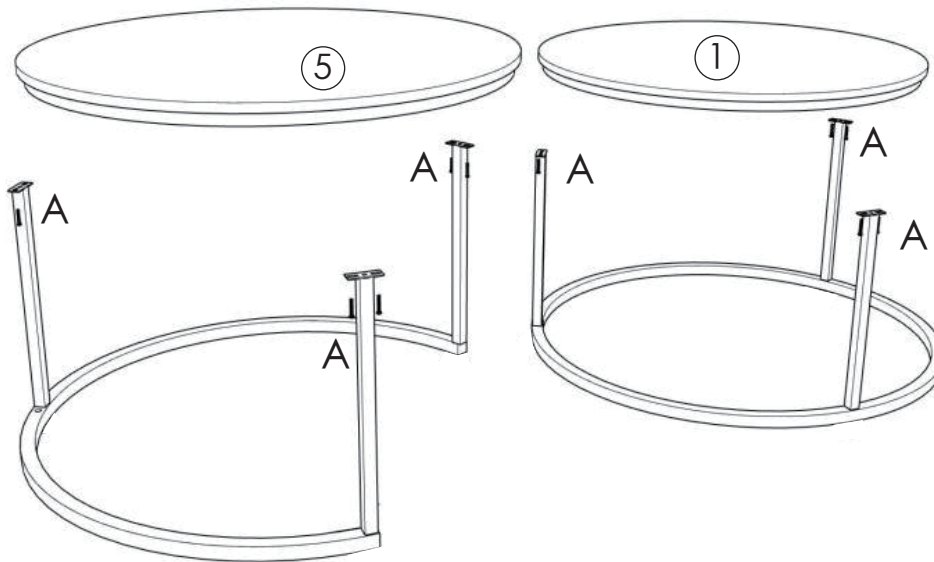
step 1



②*3 ④*3 ③*1 ⑥*1 B*6



step 2



A*12 ①*1 ⑤*1

When assembling stand with board ring, and if you find it is not in right position then need to adjust the screw, change the position a little bit and then it will be adjusted.

COMPLETED DRAWING

