

ASSEMBLY INSTRUCTIONS



Fine Furniture for every stage of life

Glider Loveseat

REVISION 0 : 12/30/2019
REVISION 1 : 03/29/2023
REVISION 2 : 02/28/2025

PAGE 1 OF 3

ASSEMBLY INSTRUCTIONS

ASSEMBLY TIPS:

1. Remove hardware from box and sort by size.
2. Please check to see that all hardware and parts are present prior to start of assembly.
3. Please follow attached instructions in the same sequence as numbered to assure fast & easy assembly.



WARNING!

1. Don't attempt to repair or modify parts that are broken or defective. Please contact the store immediately.
2. This product is for home use only and not intended for commercial establishments.



ASSEMBLY TIME

10 MINUTES

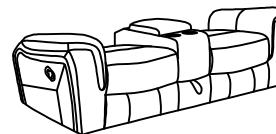
PARTS IDENTIFICATION

AV LEFT BACK



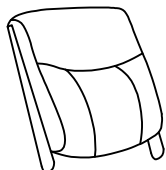
1PC

DV BASE



1PC

BV RIGHT BACK



1PC

EV LEFT EAR



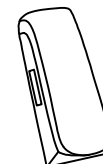
1PC

CV CONSOLE BACK



1PC

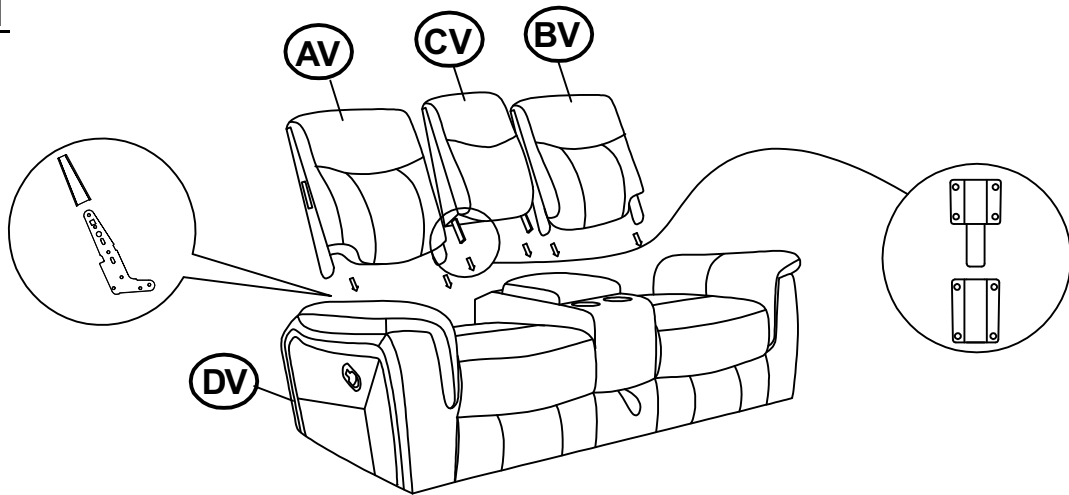
FV RIGHT EAR



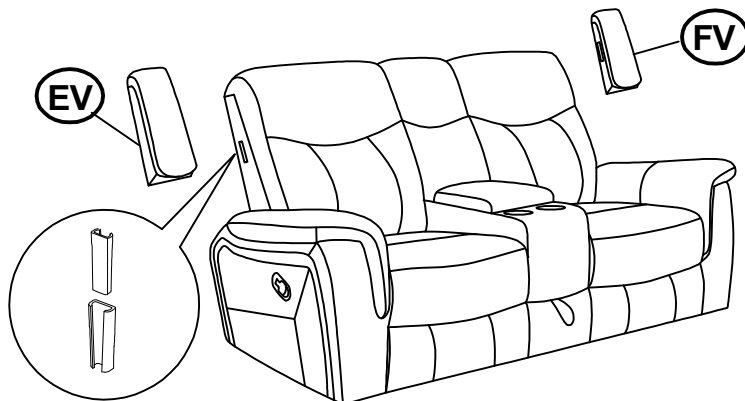
1PC

ASSEMBLY INSTRUCTIONS

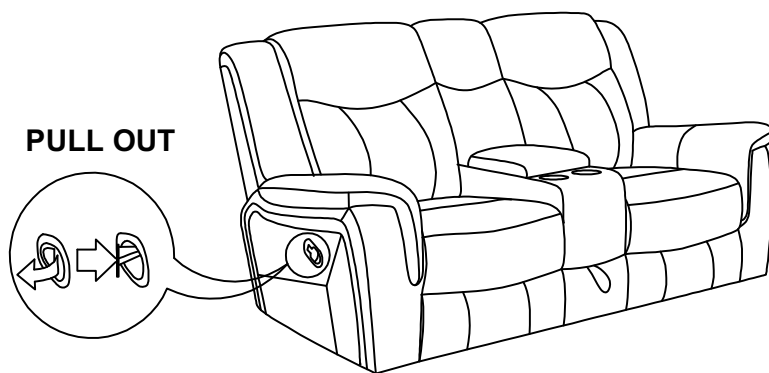
STEP 1



STEP 2

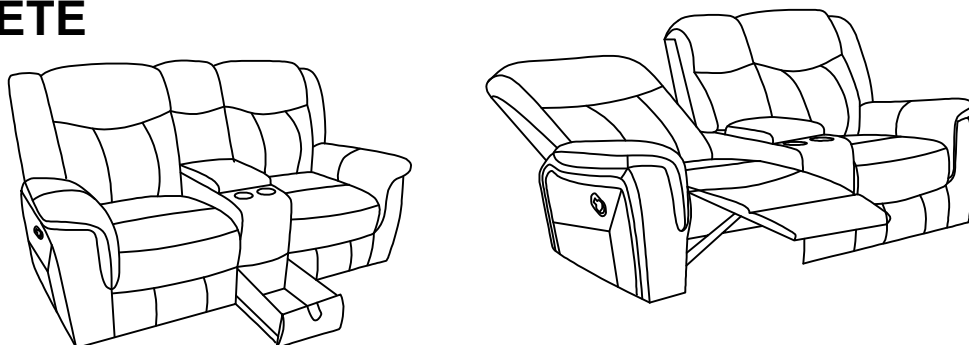


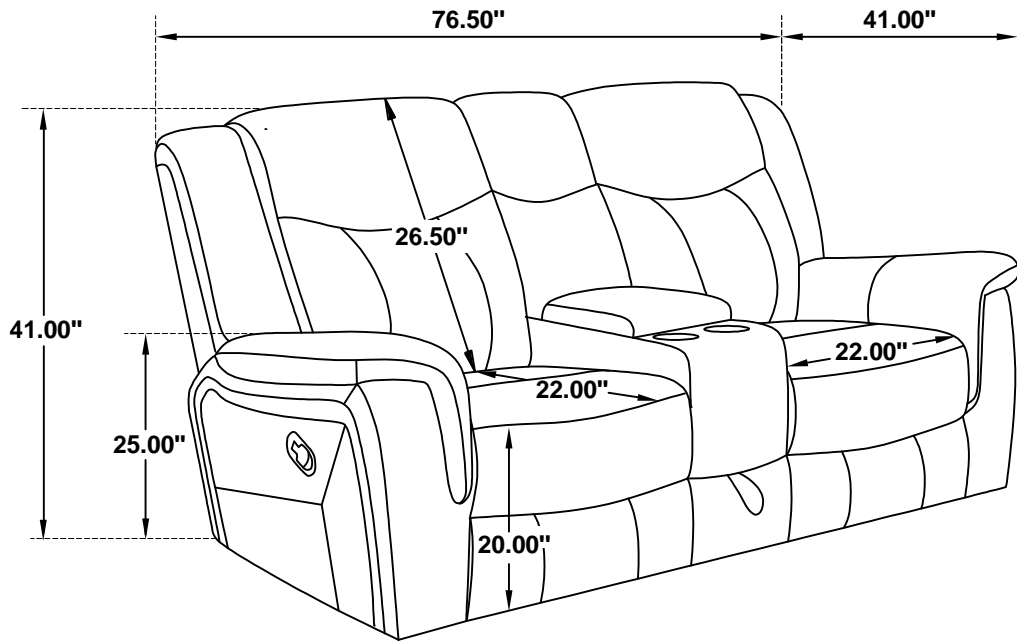
STEP 3



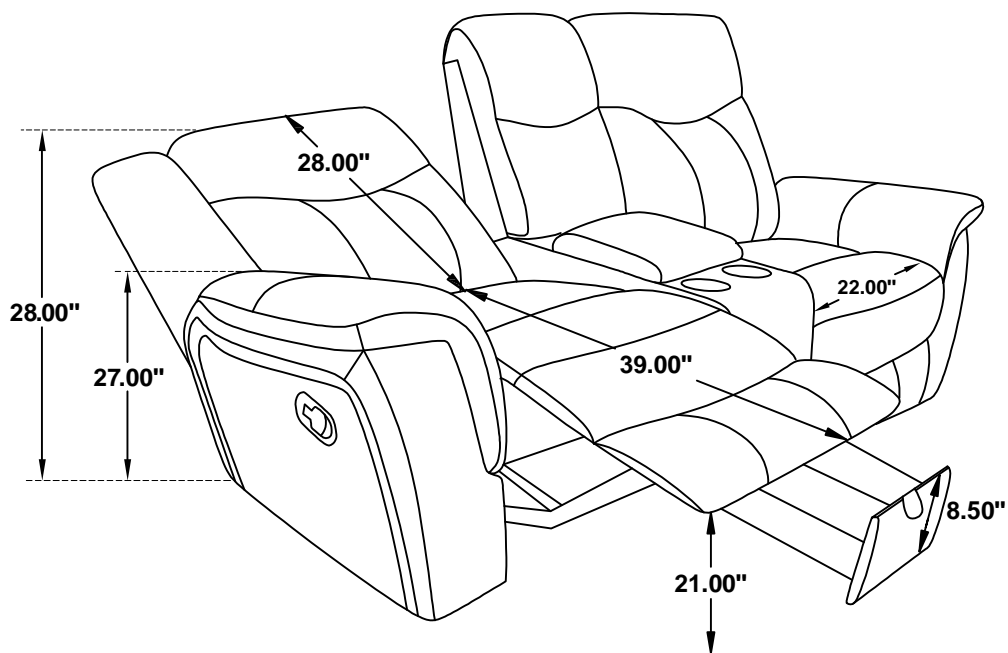
STEP 4

COMPLETE





Inner Size of Drawer : 10.00"W x 12.75"D x 6.25"H x 0.50"T



Note: Dimension tolerance $\pm 5\%$