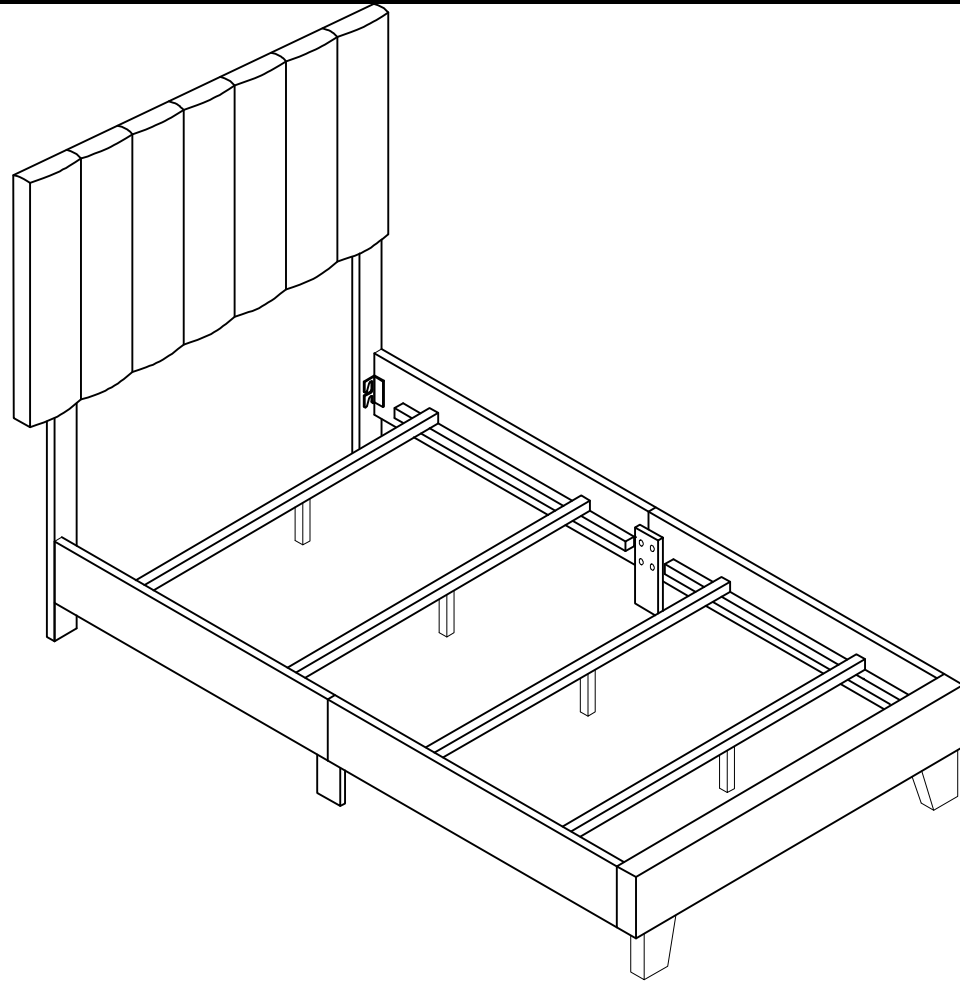
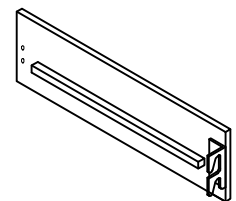
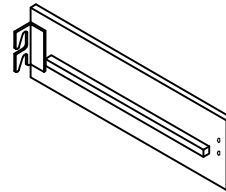
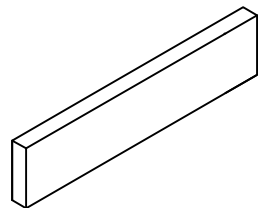
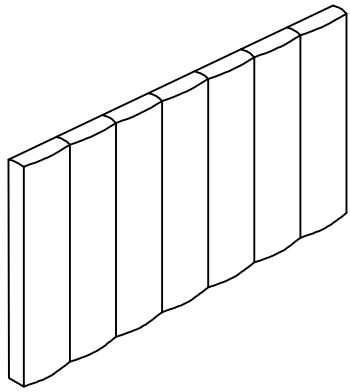


# ASSEMBLY INSTRUCTION

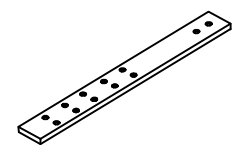
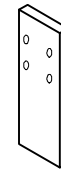
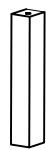
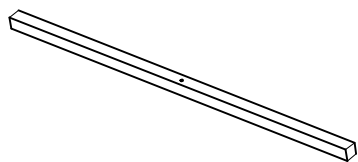


## PARTS LIST

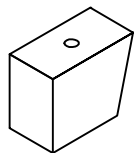
- ①-Head Board(1pc)    ②-Foot Board (1pc)    ③-Side Rails (2pcs)    ④-Side Rails (2pcs)



- ⑤-Center Support(4pcs) Bar    ⑥-Support Legs(4pcs)    ⑦-Siderails Support legs(2pcs)    ⑧-HB Foot (2pcs)

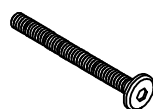


- ⑨-Footboard Legs(2pcs)

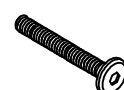


## HARDWARE LIST

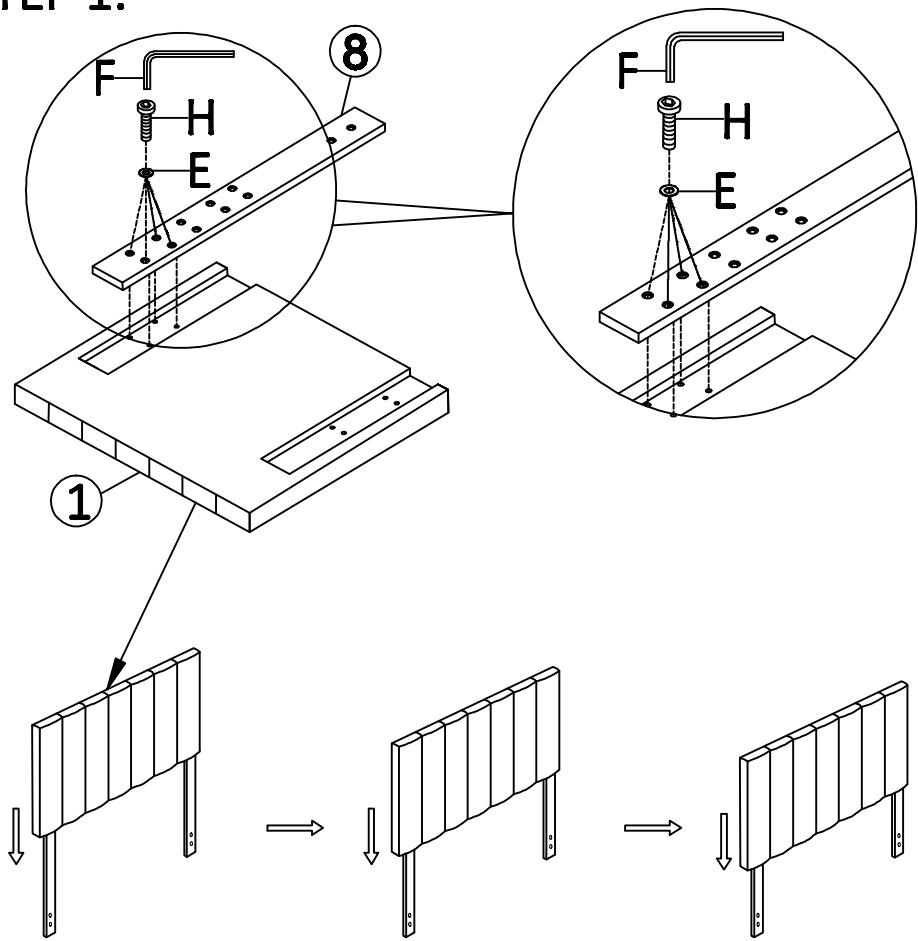
- A Bolt 5/16\*30mm 16pcs    B Bolt 5/16\*75mm 2pcs    C Bolt 5/16\*40mm 4pcs    D Spring Washer 8pcs



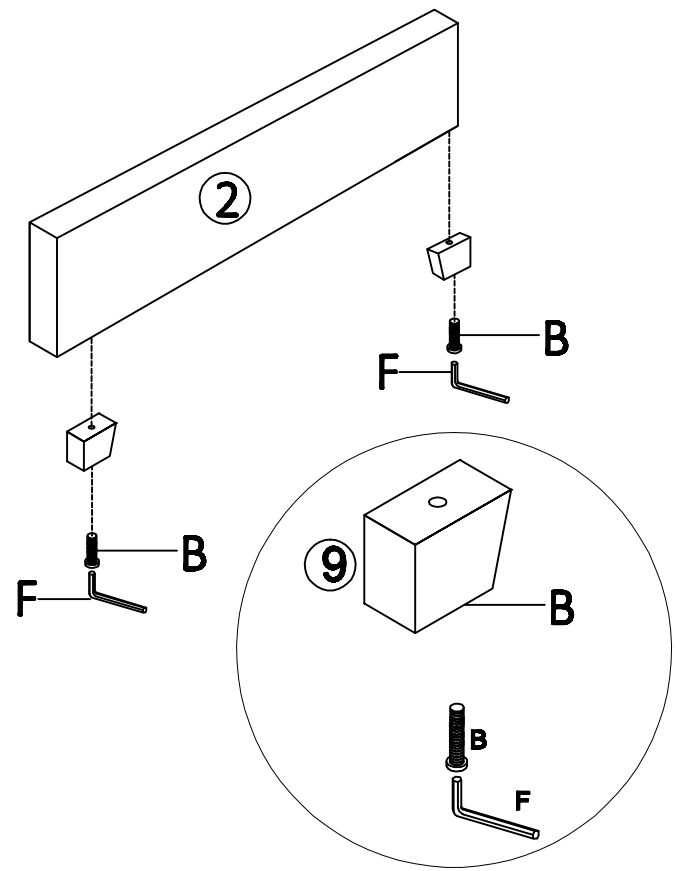
- E Flat Washer Ø20 28pcs    F M8 Allen Key 1pc    G Self tapping screw 8pcs    H Bolt 5/16\*60mm 8pcs



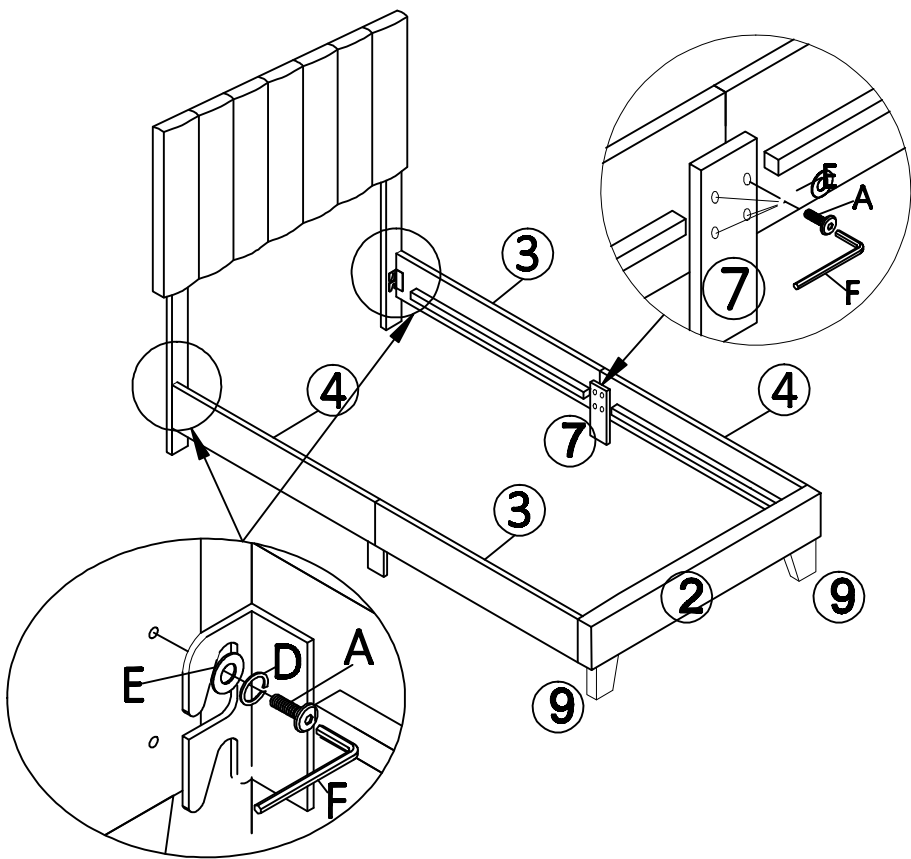
STEP 1:



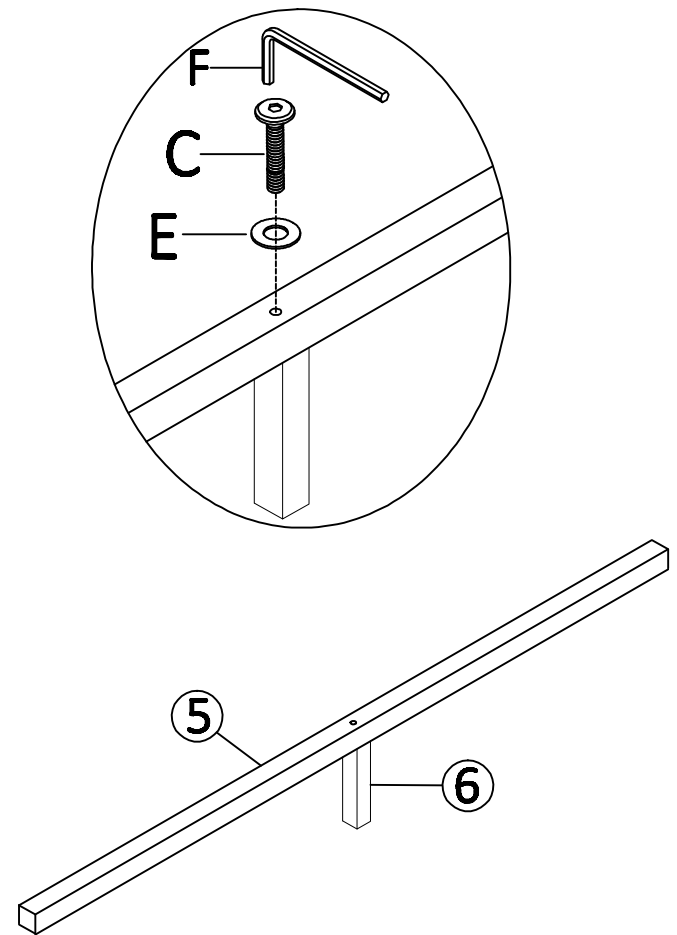
STEP 2:



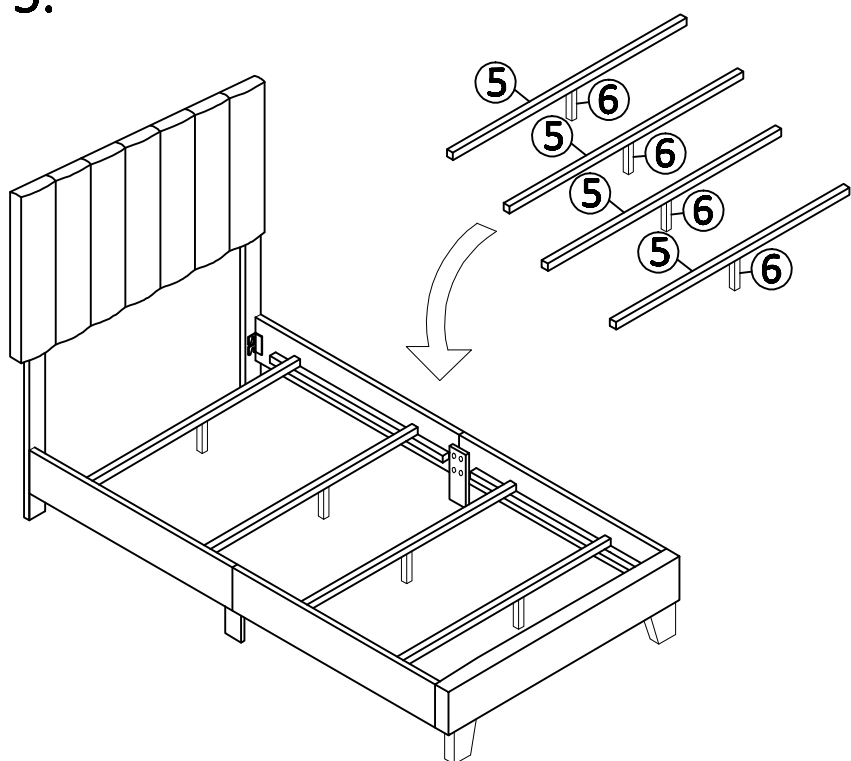
STEP 3:



STEP 4:



STEP 5:



STEP 6:

