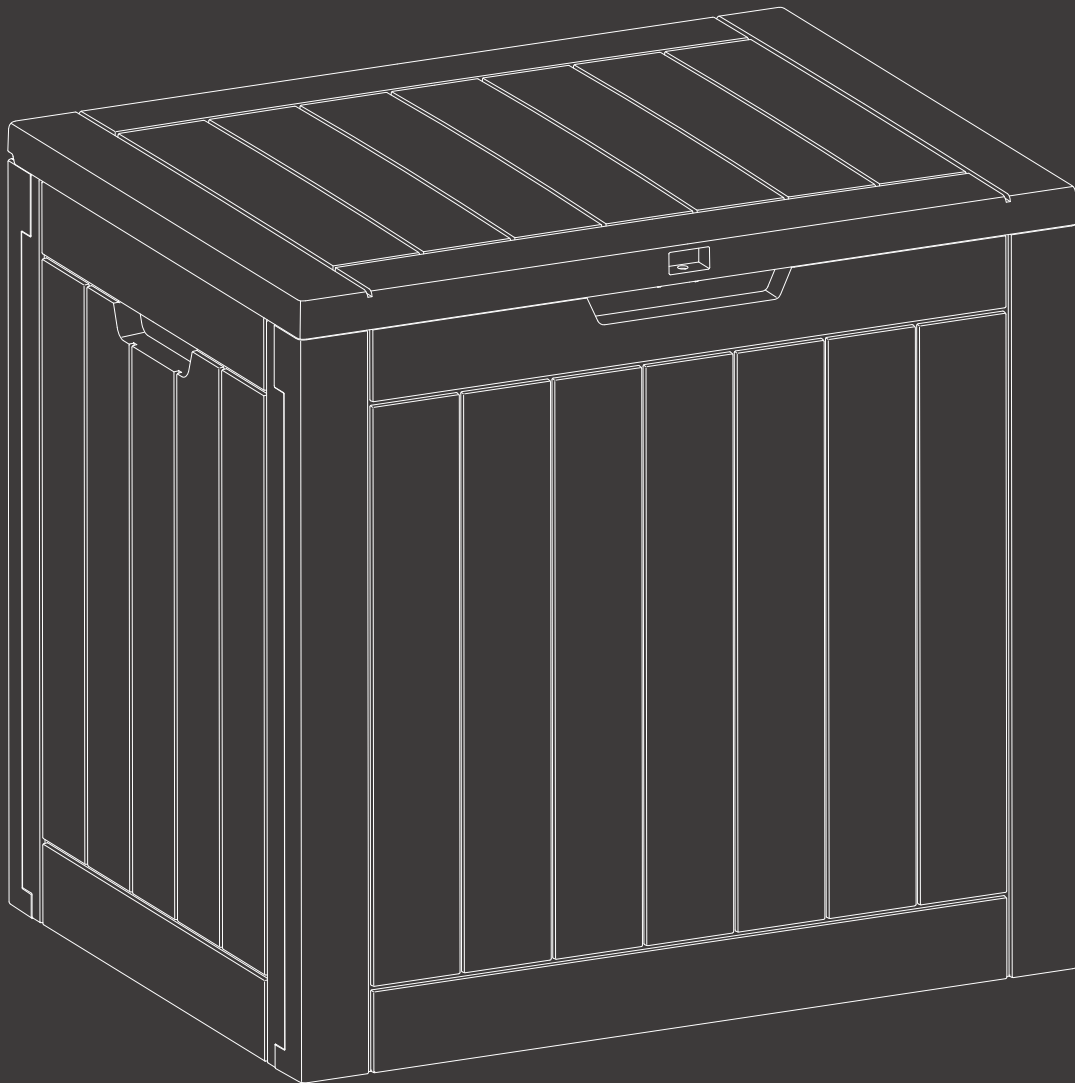


Deck Box

Instruction Manual

JBX-31G



✉ HJ-Customer-Service@outlook.com

☎ (909)637-7665 | (909)637-7593

EST 9:00AM--17:00PM

IMPORTANT

Once installed, the product cannot be detached. Strictly follow each step in the installation manual.

- Gather and organize all required parts before assembly. If you have any problems or discover any missing parts, please contact customer service.
- Some parts may contain sharp edges; wear protective gloves if necessary during assembly.

CARE & SAFETY

- Assemble on a flat, clean, and soft surface.
- In case of fire, do not attempt to extinguish burning polypropylene with water.
- Wear safety goggles and always follow the manufacturer's instructions when using power tools.
- During installation, please refer to the accessories guide to ensure correct installation.
- Do not stand on the lid, as this may cause the box to deform and become impossible to install.

WARRANTY

The warranty is valid from the date of purchase. It covers any product or part that fails due to structural defects, faulty workmanship, or color fading for one year from the initial purchase date.

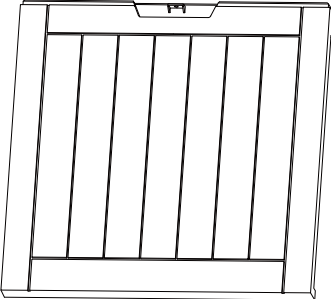
WARNING

This product contains Polycyclic Aromatic Hydrocarbons (PAHs), which are known to the State of California to cause cancer, birth defects, and other reproductive harm. Do not ingest.

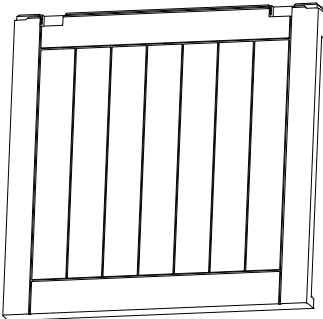
For more information: www.P65Warnings.ca.gov.

PARTS LIST

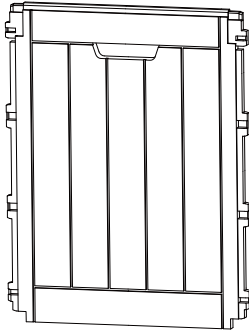
A X1



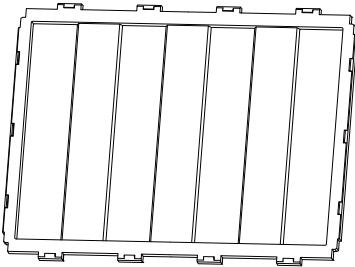
B X1



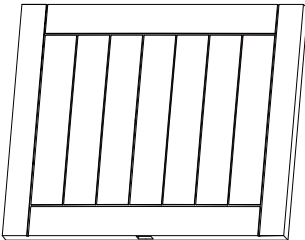
C X2



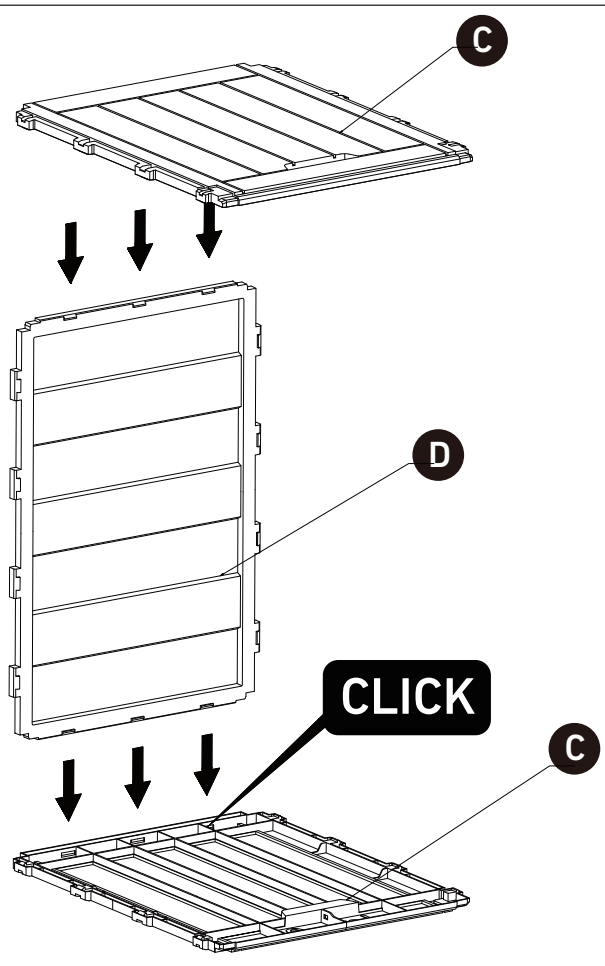
D X1



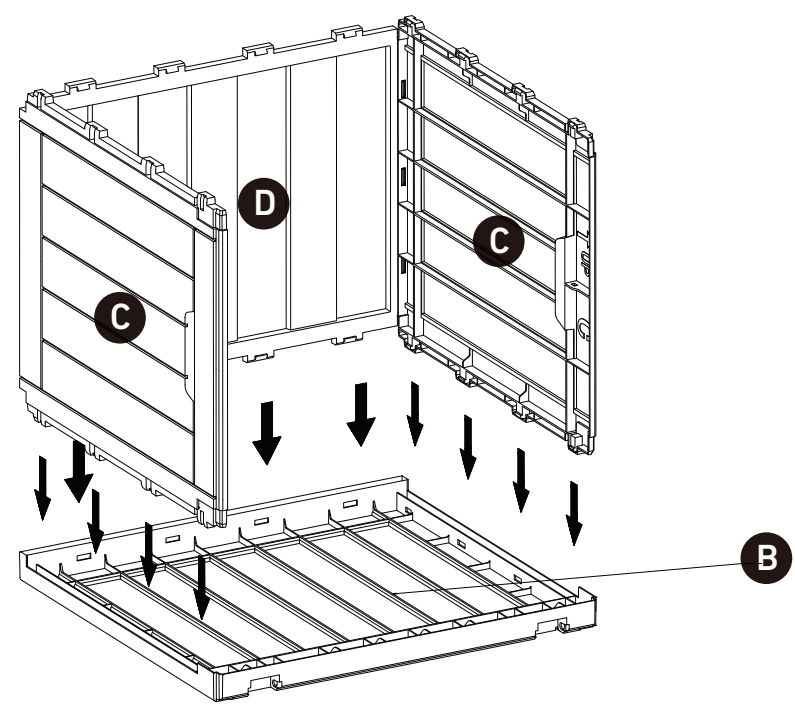
E X1



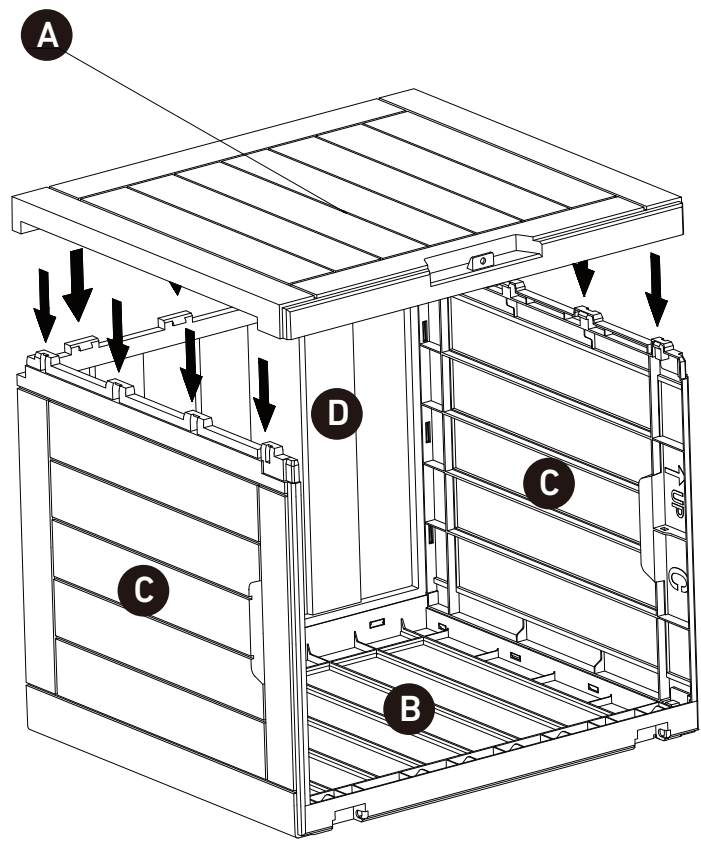
Step 1



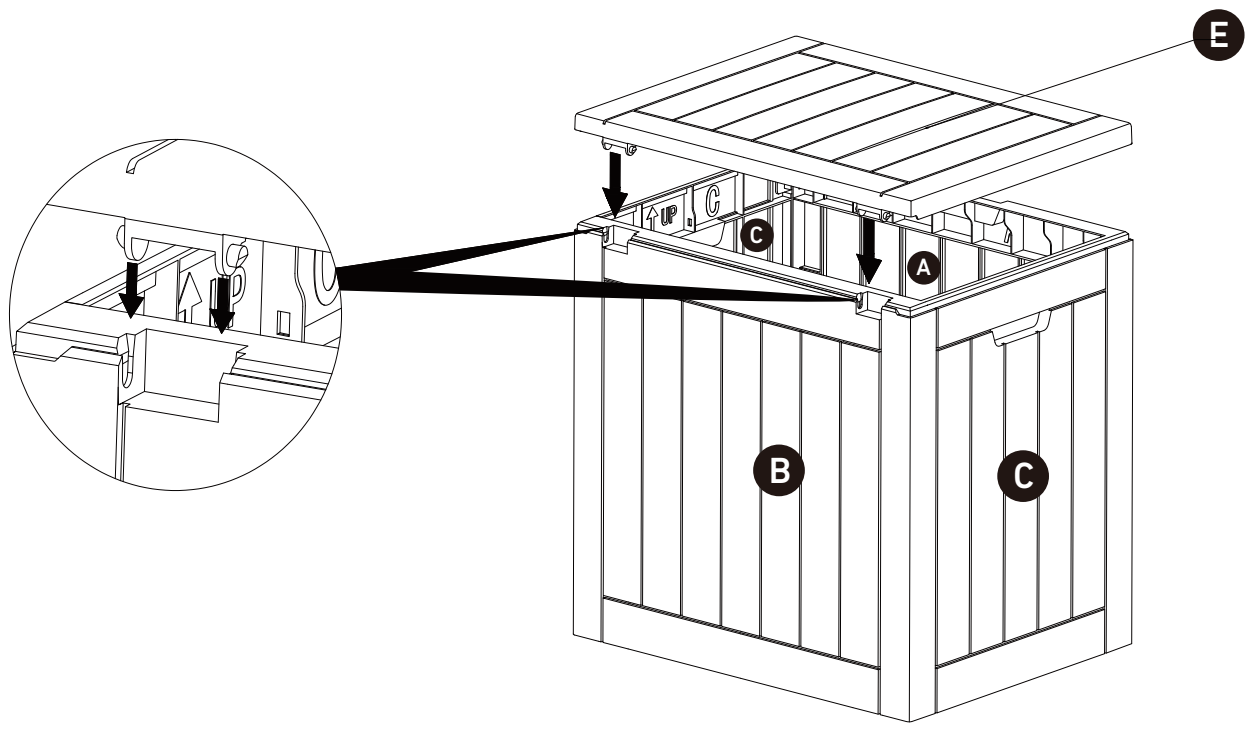
Step 2



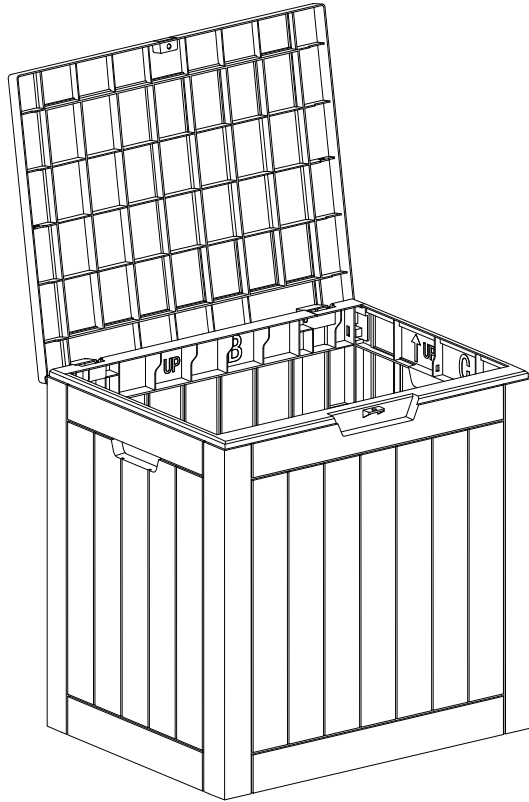
Step 3



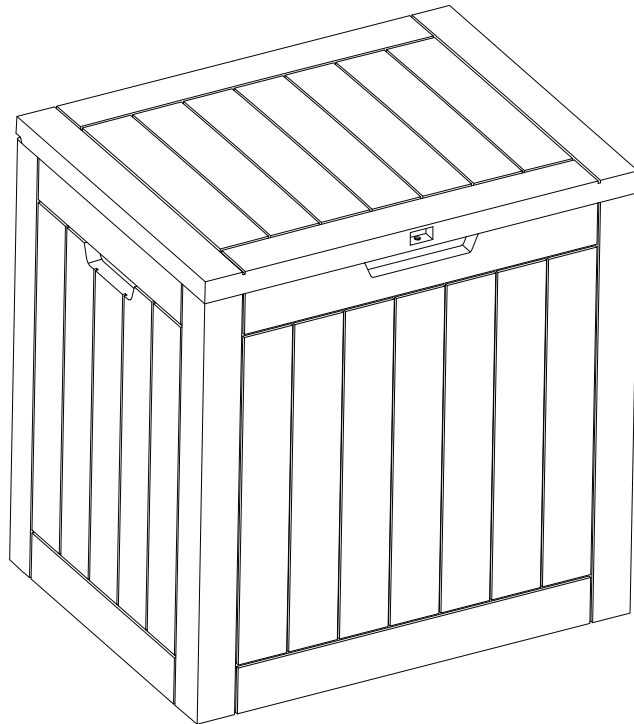
Step 4

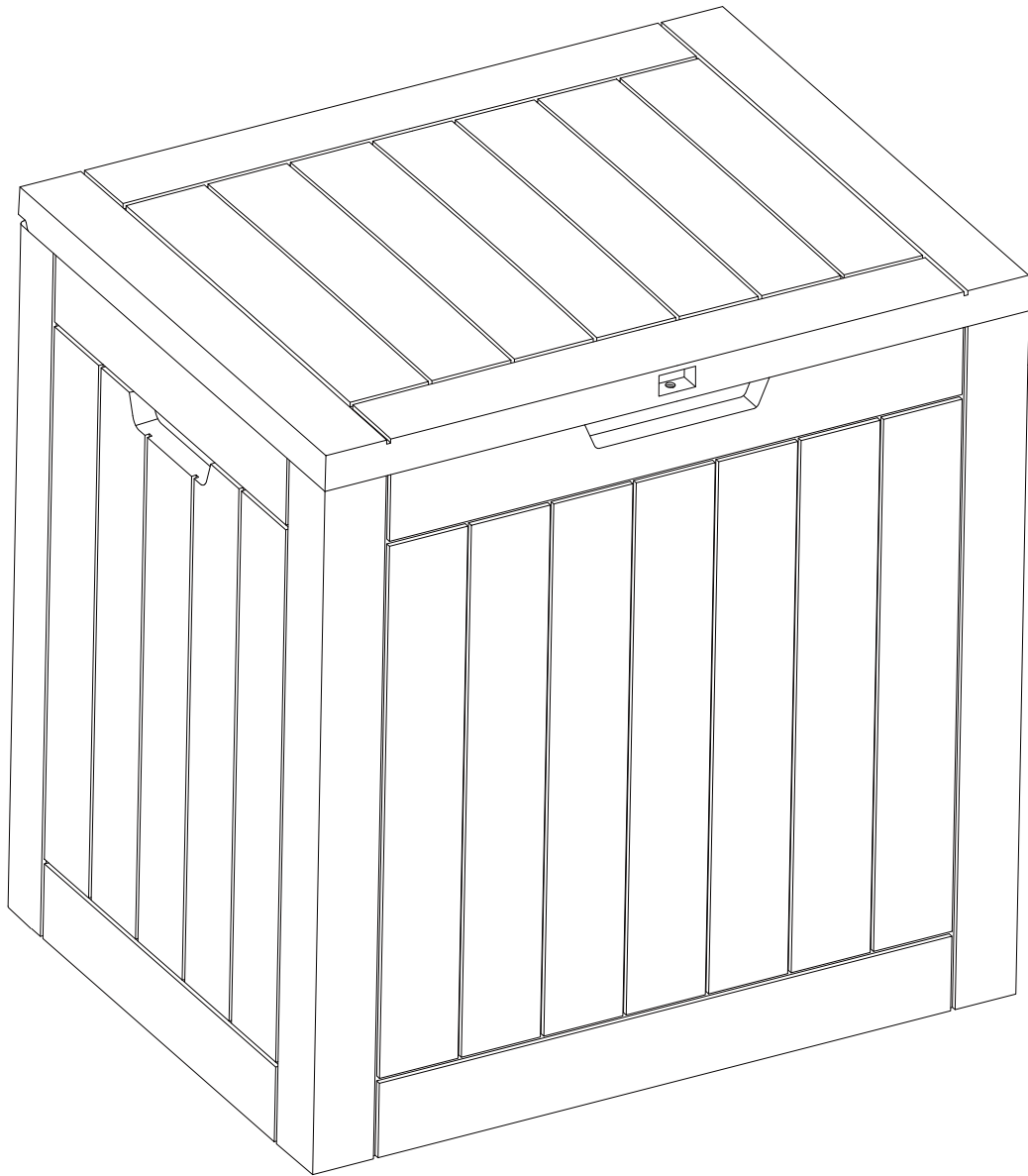


Step 5



Step 6





Technical Support

(909)637-7665 | (909)637-7593

Other Info

HJ-Customer-Service@outlook.com

Thank you for choosing this product. We strive to provide you with the best quality products and services in the industry. Should you have any issues, please don't hesitate to contact us.