

A x 1

FI6785

C x 1

CA2731

D x 1

PI5858

H x 2

CS2166

O x 2

SH2459

Q x 1

SH2460

W x 2

OF0257

Z x 1

FI6787

BU2770

H1 x 8



FH0001

H2 x 8



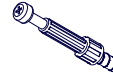
FH0002

H14 x 1



FH0014

T83 x 8



FT0083

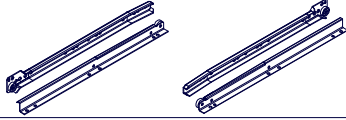
T99 x 8



FT0099

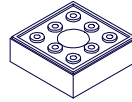
A12 x 2

FA0012



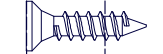
P45 x 4

FP0045



BU2770

mm 0 10 20 30 40 50



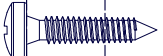
V5 x 16

FV0005



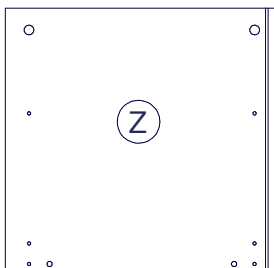
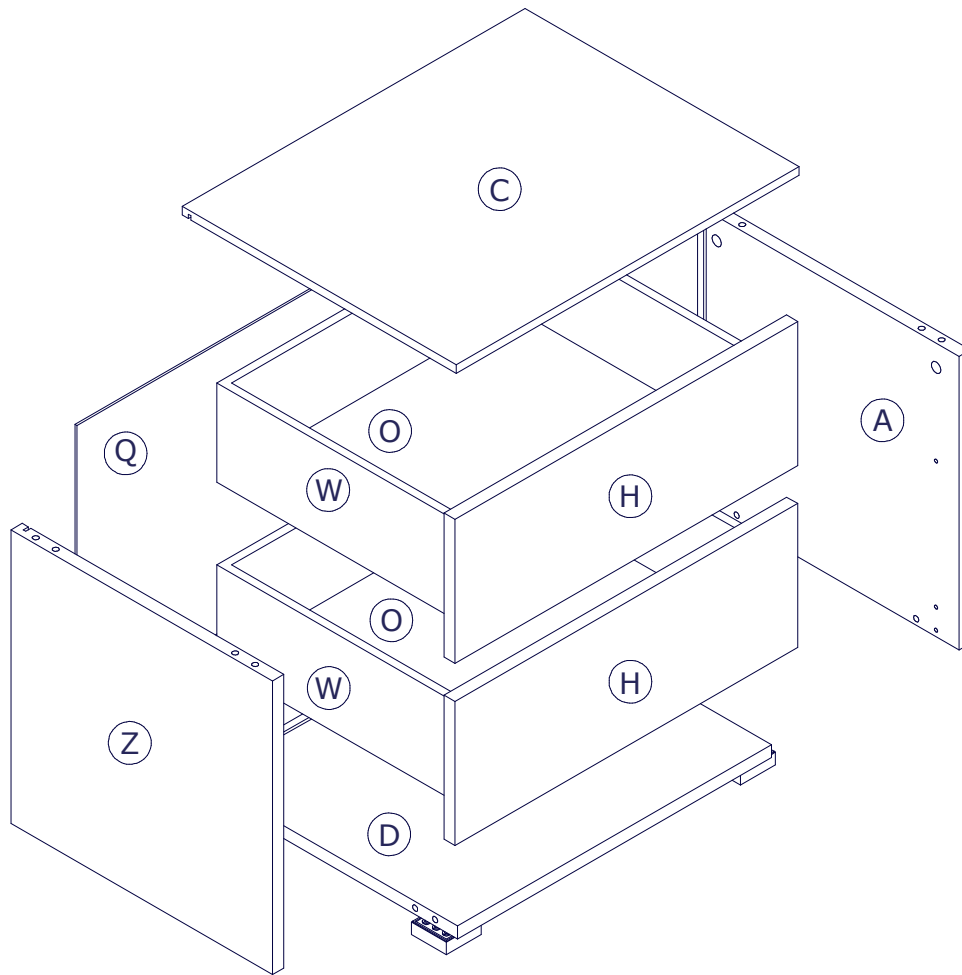
V13 x 8

FV0013

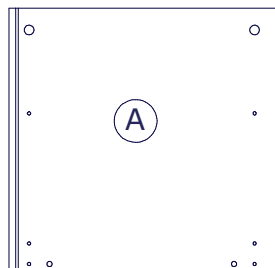


V109 x 8

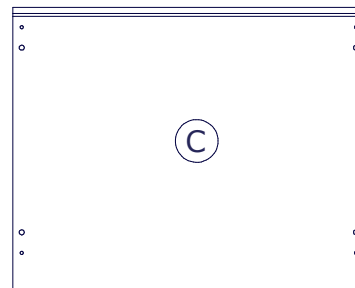
FV0109



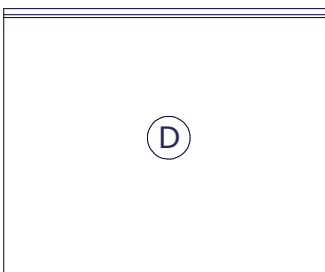
• **FI6787**
408x420x18mm



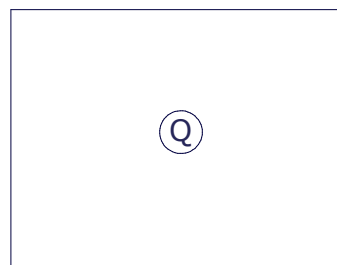
• **FI6785**
408x420x18mm



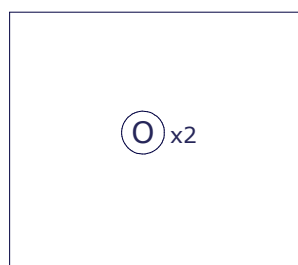
• **CA2731**
550x440x12mm



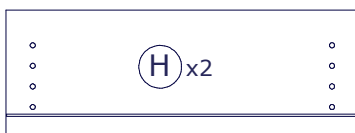
• **PI5858**
504x419x18mm



• **SH2460**
518x402x3mm



• **SH2459**
466x401x3mm



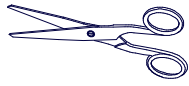
• **CS2166**
550x200x18mm



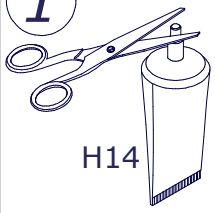
• **OF0257**
400x479x400mm H.138mm

1

H14 x 1

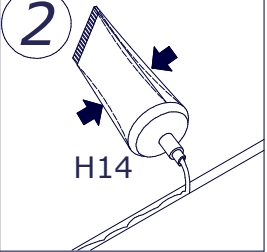


1

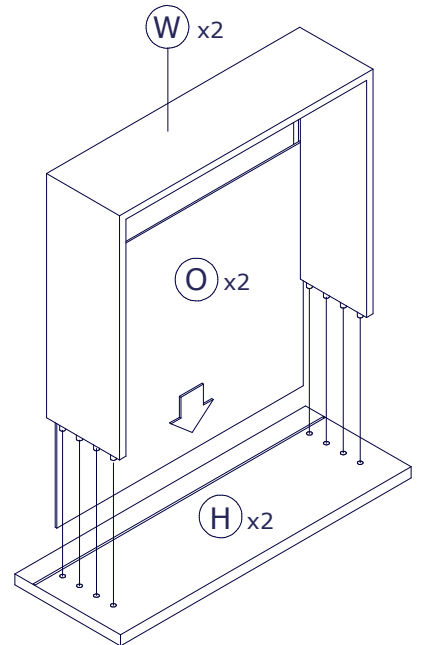
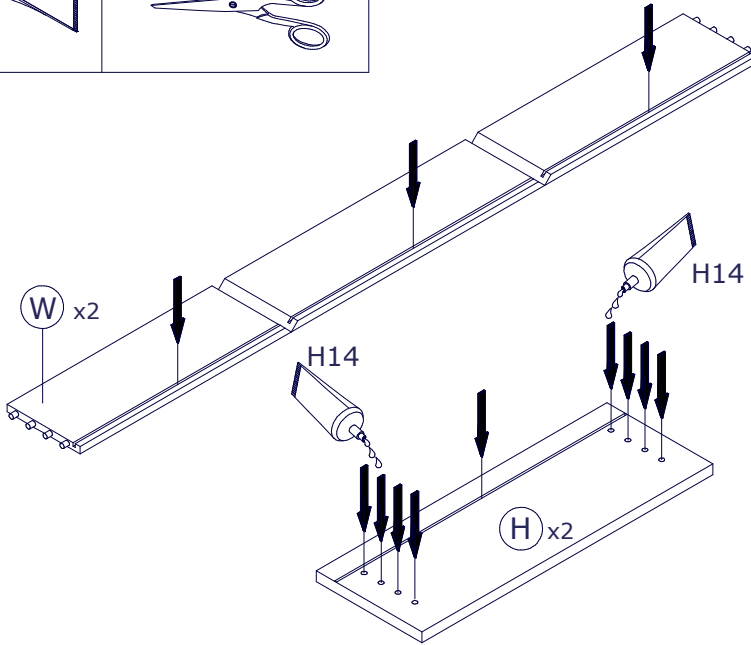


H14

2

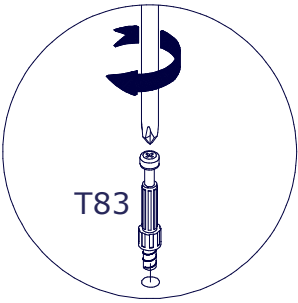
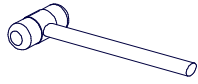
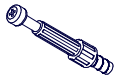


H14

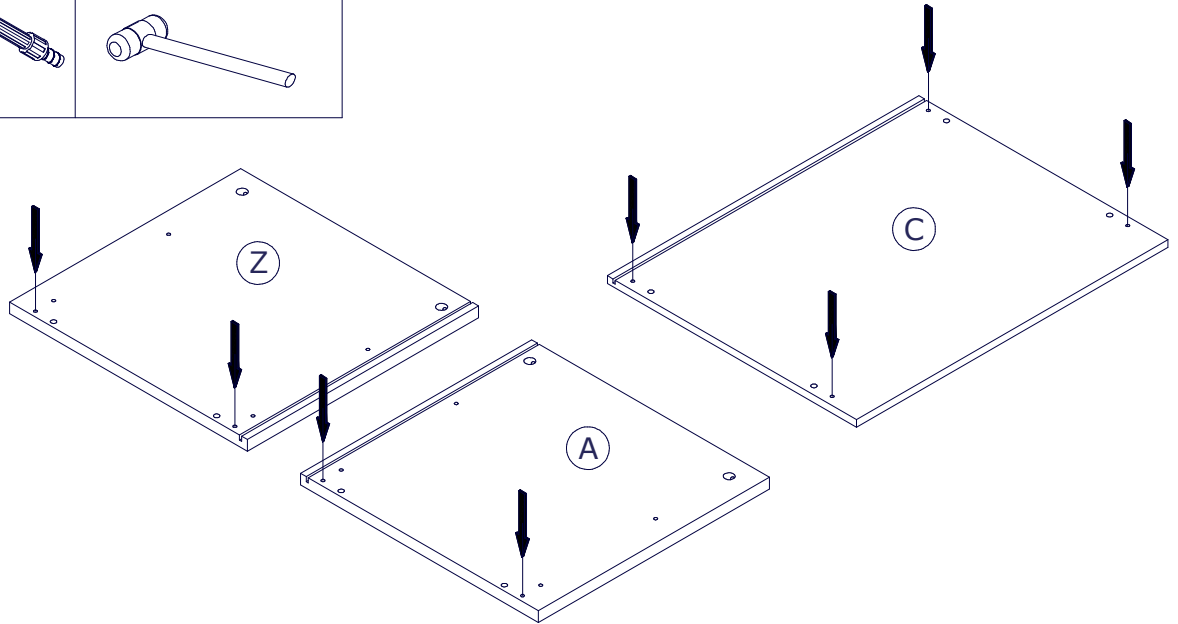


2

T83 x 8

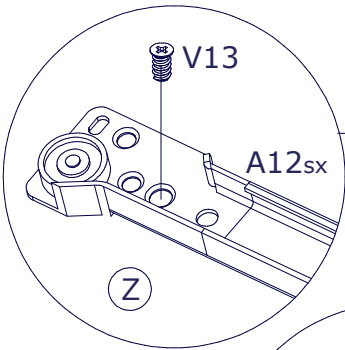
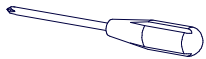


T83



3

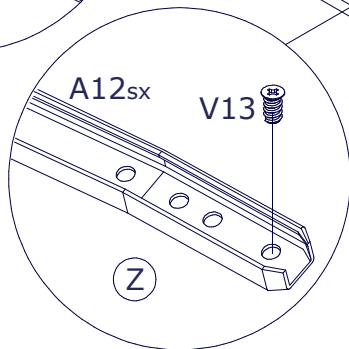
V13 x 8



V13

A12sx

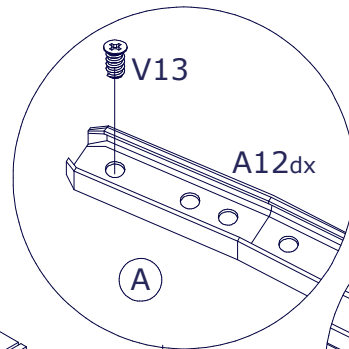
Z



A12sx

V13

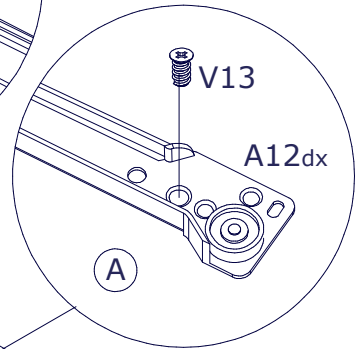
Z



V13

A12dx

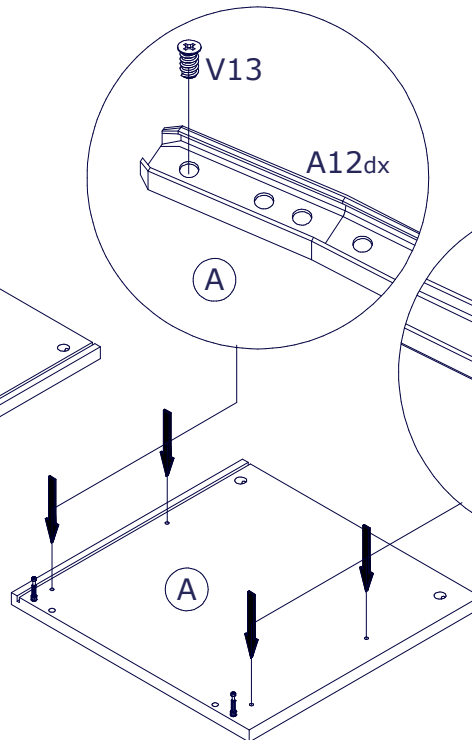
A



V13

A12dx

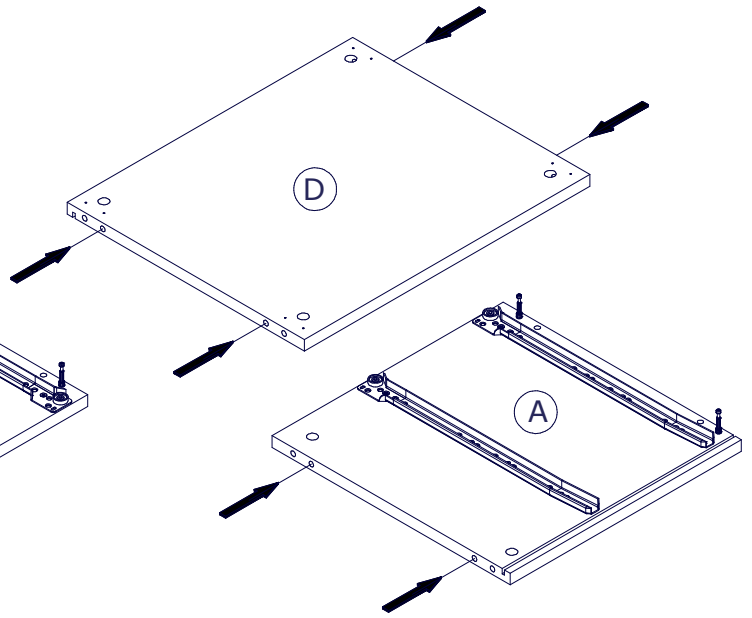
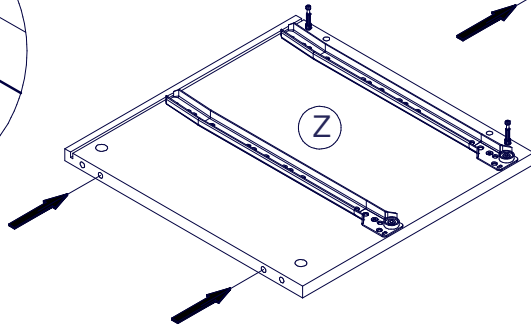
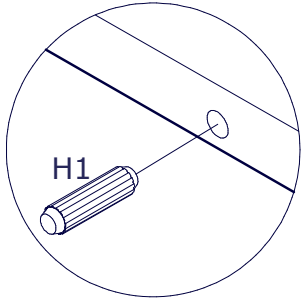
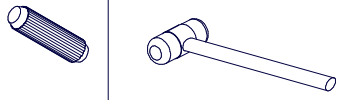
A



A

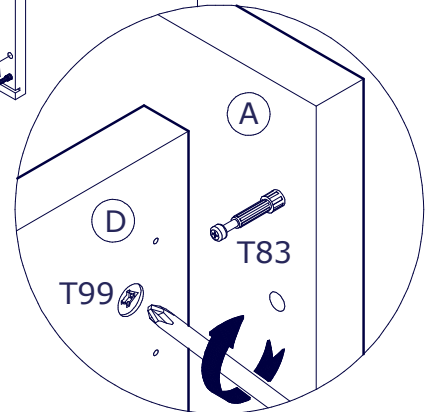
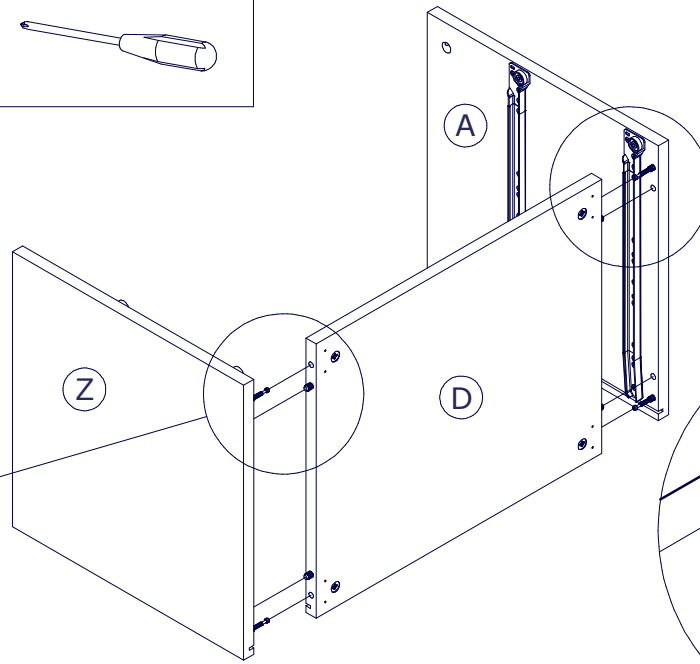
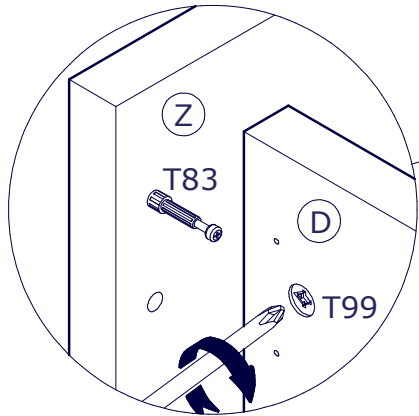
4

H1 x 8



5

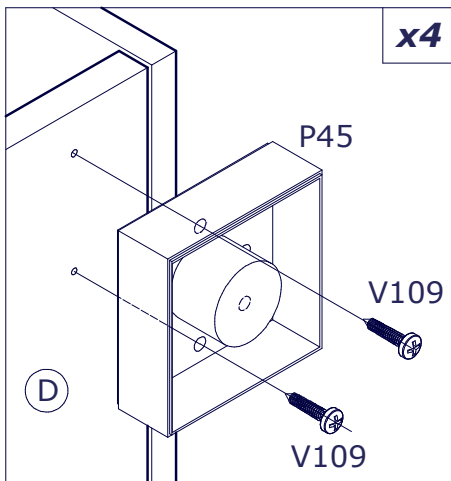
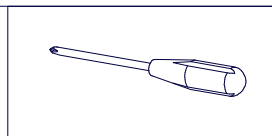
T99 x 4



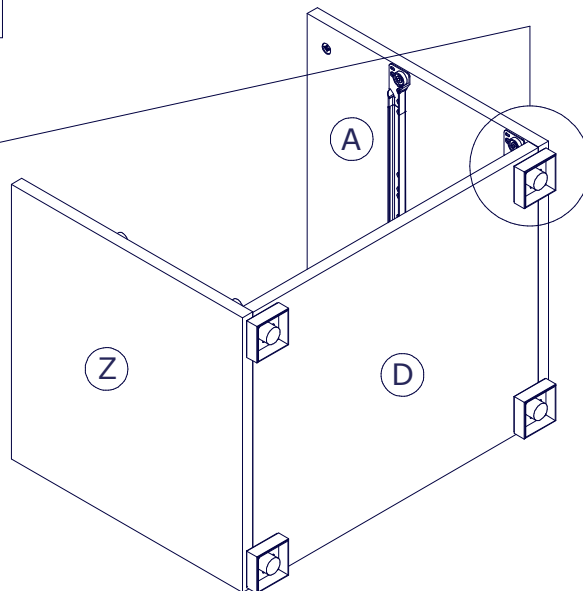
6

P45 x 4

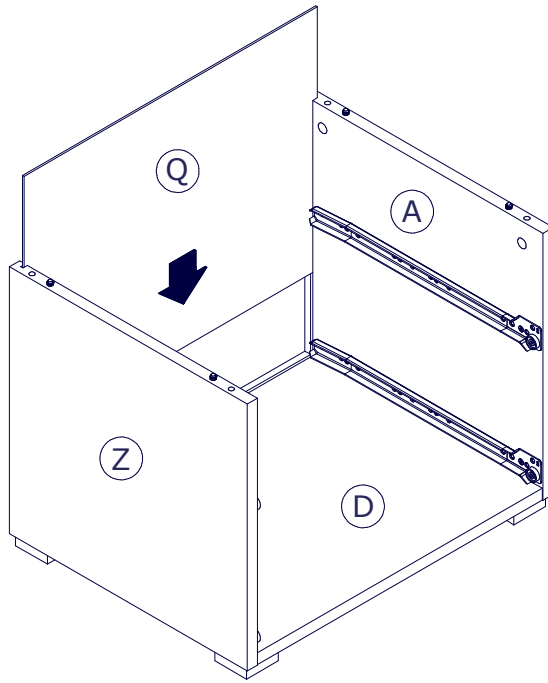
V109 x 8



x4

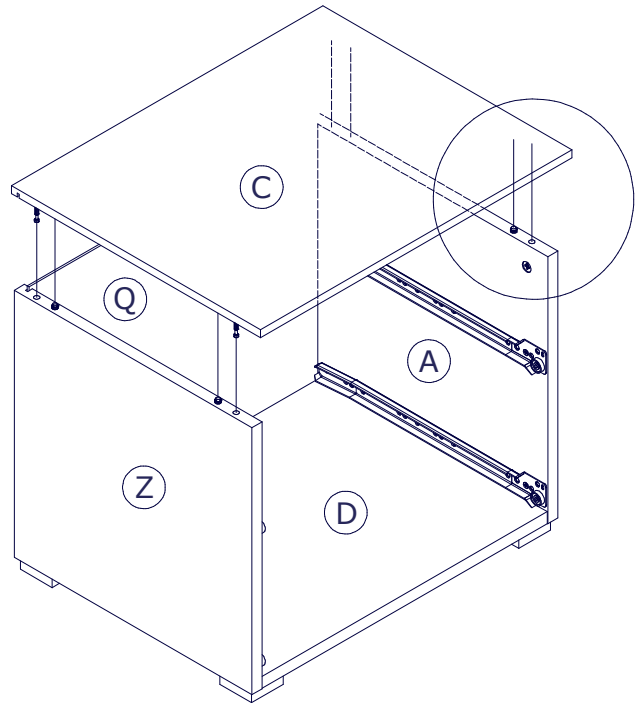
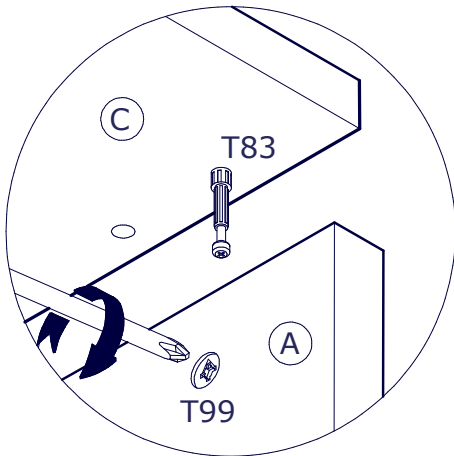
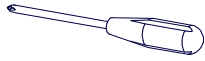


7



8

T99 x 4

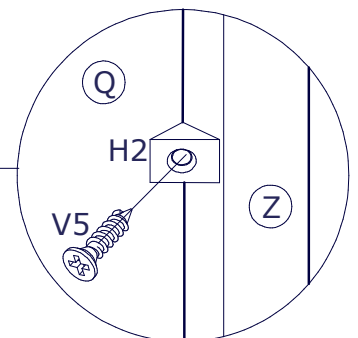
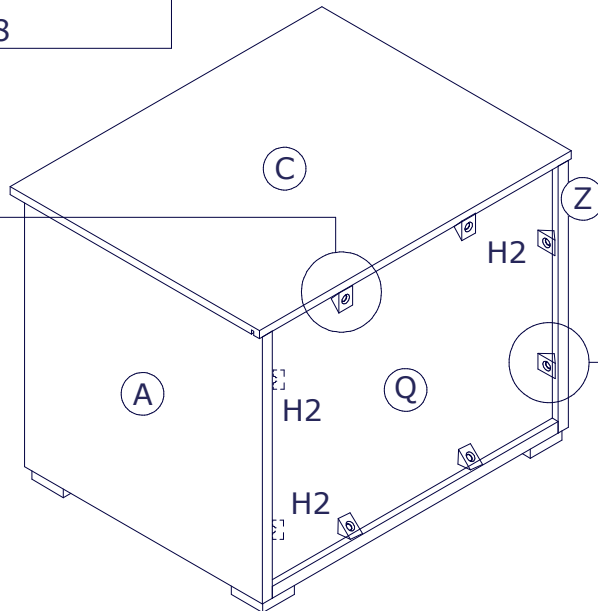
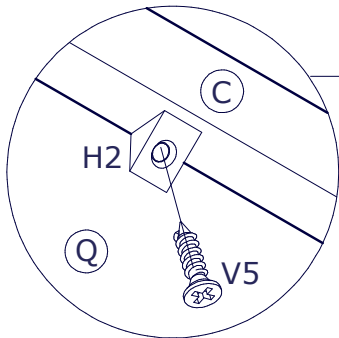


9

H2 x 8



V5 x 8



10

V5 x 8

