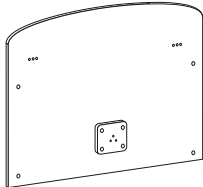
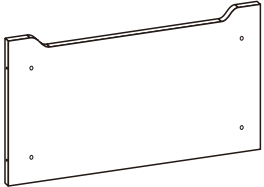
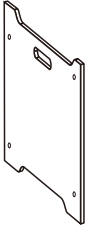
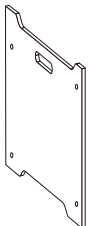
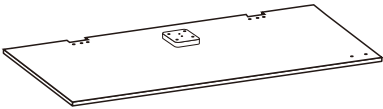














TOY BOX

Parts-Please check all parts are present before starting assembly.

<p>Backrest board</p>  <p>①×1</p>	<p>Front board</p>  <p>②×1</p>	<p>Left side board</p>  <p>③×1</p>
<p>Right side board</p>  <p>④×1</p>	<p>Top board</p>  <p>⑤×1</p>	<p>Base board</p>  <p>⑥×1</p>

Hardware

 A=8PCS	 B=8PCS	 C=12PCS	 D=2PCS	 E=1PC	
 F=1PC	 G=5PCS	 H=1PC	 I=1PC	 J=4PCS	 K=1PC

Assembly Of Toy Box -Do not fully tighten the screws before assembly is complete.

1

2

A=4PCS

3

B=8PCS

C=6PCS D=2PCS E=1PC F=1PC G=5PCS

3

4

A=4PCS

5

C=6PCS

6

H=1PC

 **WARNING:** Assembled by an adult.