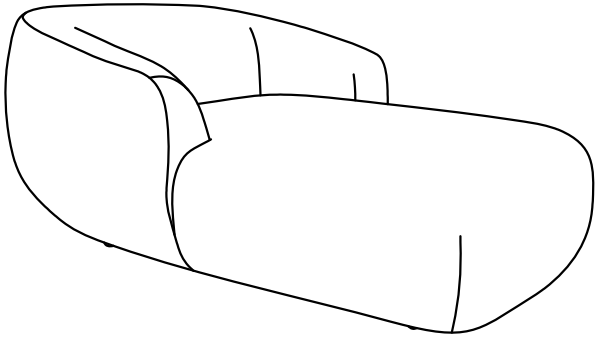



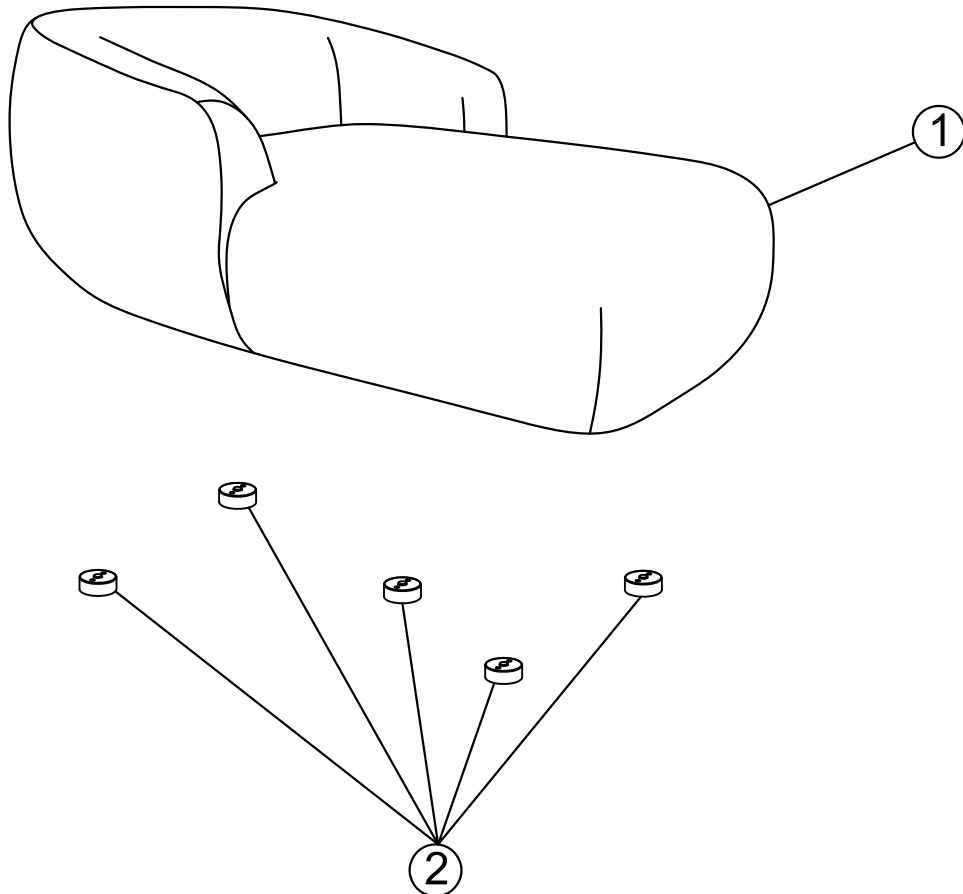


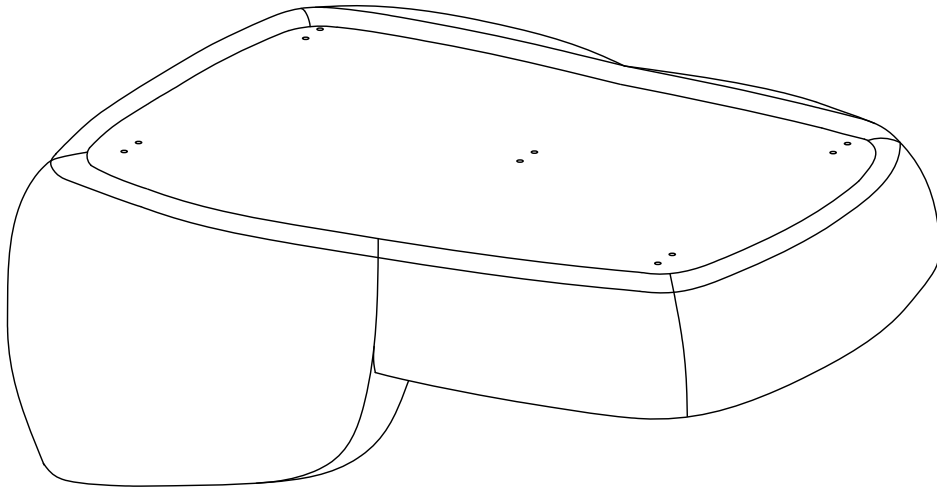
# ASSEMBLY INSTRUCTION FOR CHAISE



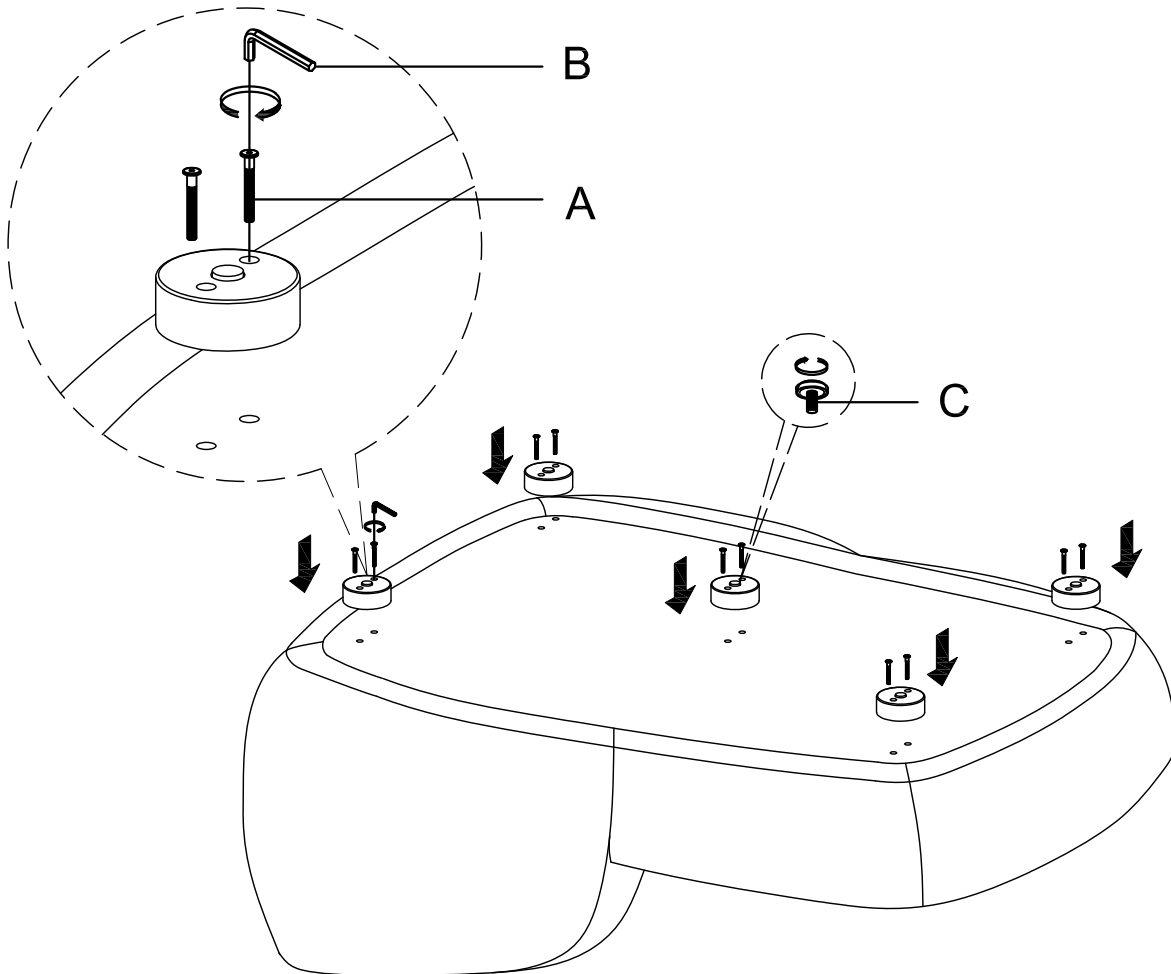
Hardware List				
A		Bolt	M6x60mm	10
B		Allen Key	4mm	1
C		Leveler	M6 x 21mm	1



Step 1



Step 2



## Step 3

### Adjusting Floor Levelers

Your furniture has been expertly crafted and pre-adjusted by professionals. However, slight shifts can occur during transportation. If you notice that the doors are not perfectly aligned or the furniture wobbles, a quick adjustment can help ensure stability and a seamless look.

### Adjust the Floor Levelers

**Check for Stability** - Place the furniture in its final position on a level surface. If it wobbles or doesn't sit evenly, the floor levelers need adjusting.

**Locate the Levelers** - These are small adjustable feet found at the bottom corners of your furniture.

**Adjust as Needed** - Using your hand or a wrench, turn the levelers clockwise to raise or counterclockwise to lower the furniture. Make small adjustments and check stability after each turn

