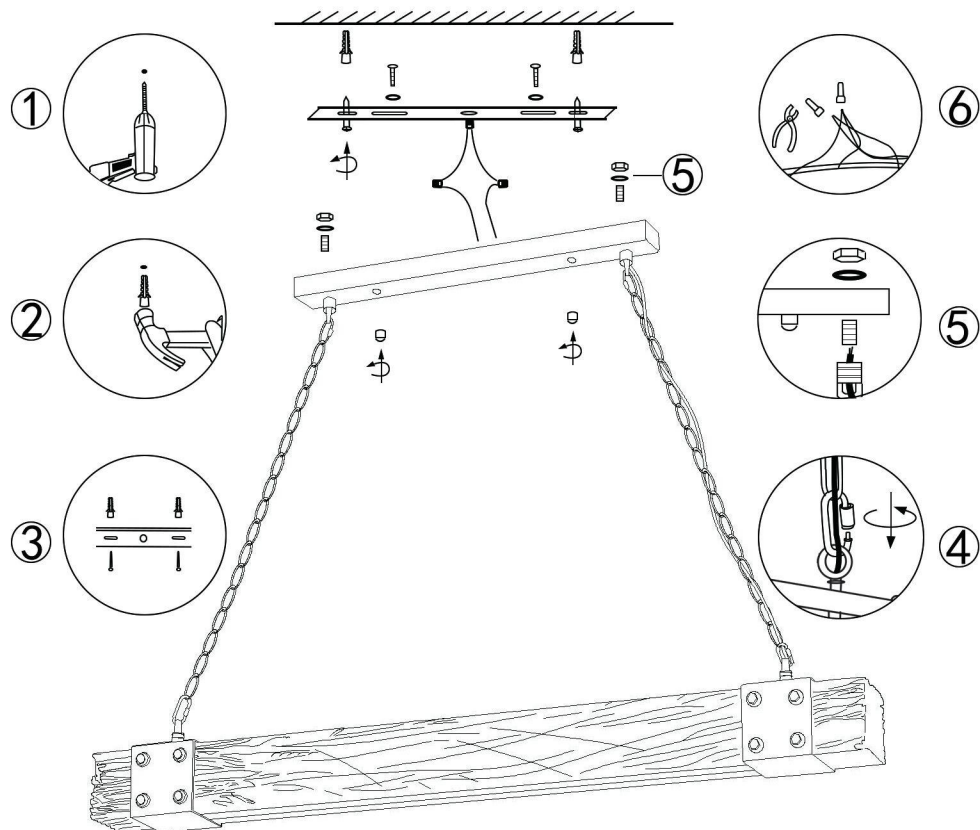
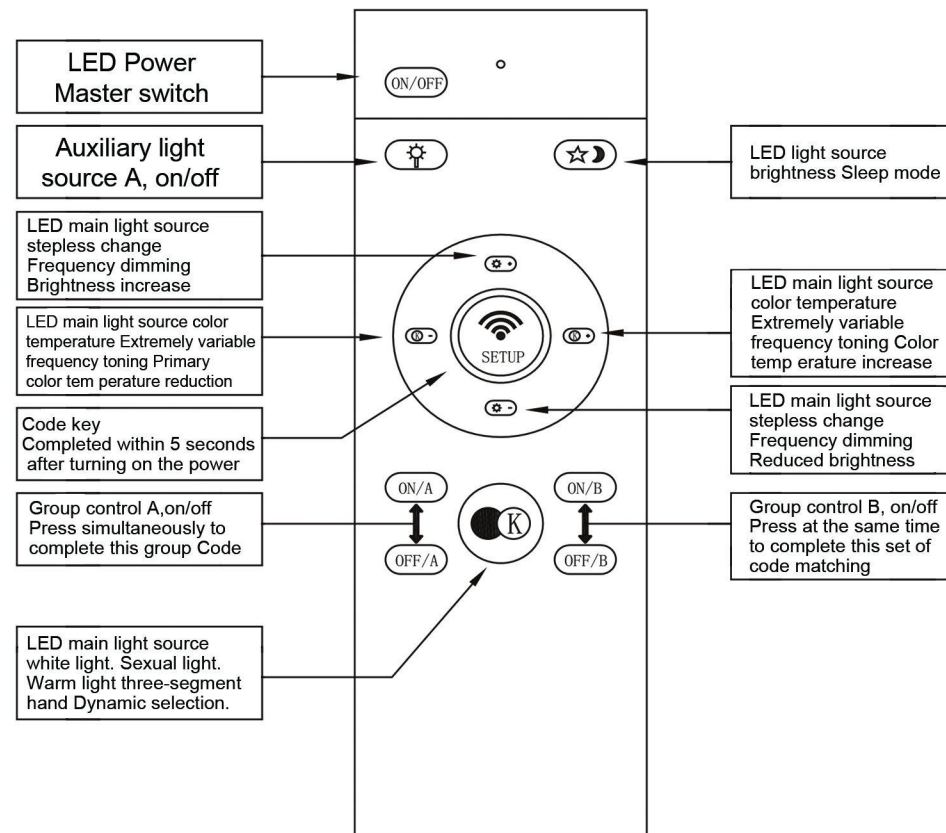


Installation Instructions



1. Applicable voltage: 110V-220V(50HZ).
2. please install this lamp by a professional electrician.
3. Please wear gloves during installation in case of scratching the lamp surface.
4. Keep the installation environment ventilating and dry.
5. Keep the lamp away from corrosive chemical and flammable materials such as acid and alkali.
6. Please don't wash it with water, but wipe it with a soft cloth.
7. During replacing the bulbs, remember to cut the power off.

Multifunction remote control operation manual



Using 2 of AAA battery

the method of control code

1. General control code can be finished by system setup (it should be pressed within 5s after turning on the power source)