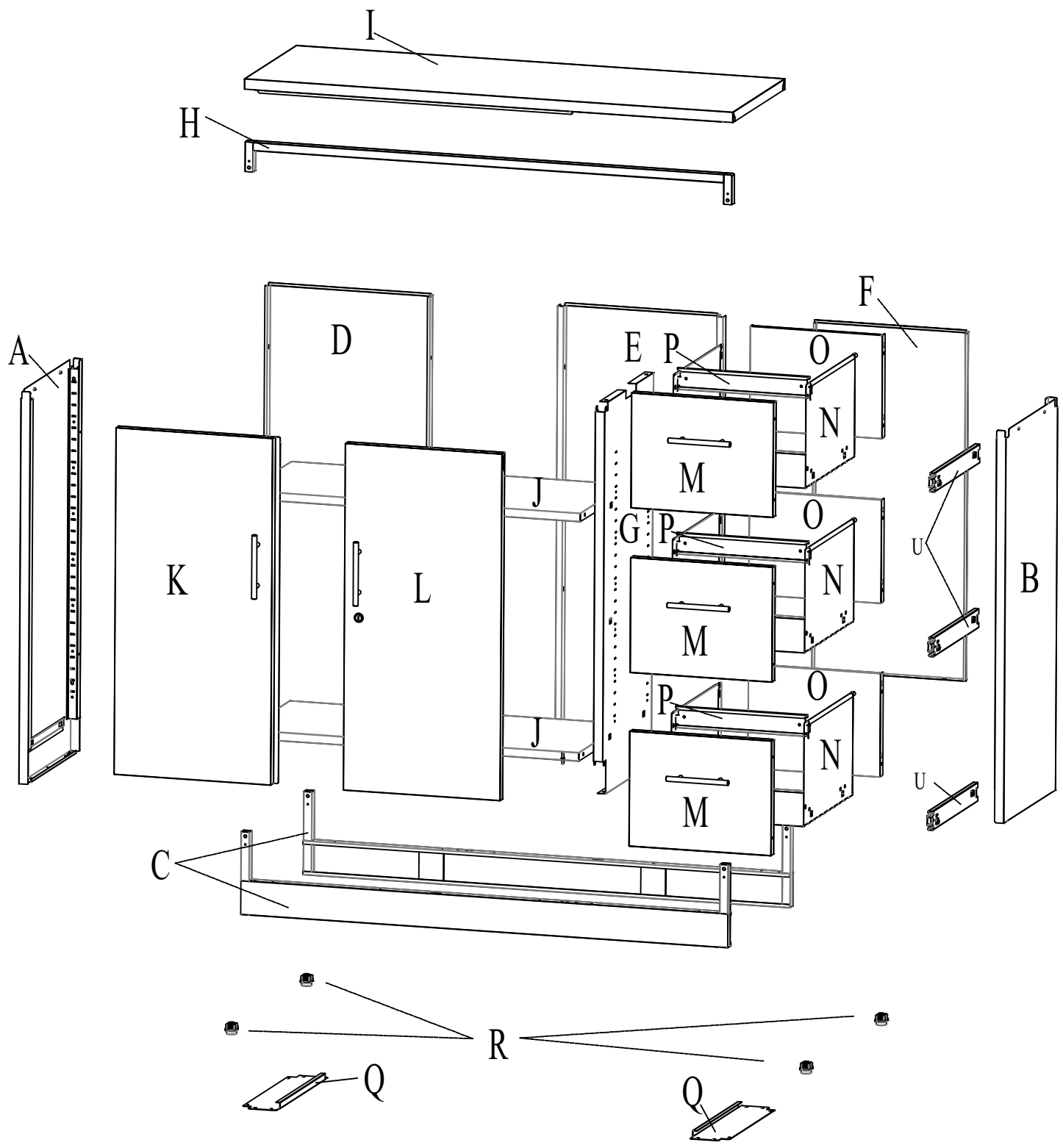



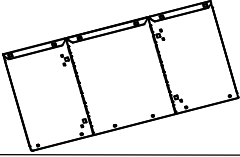
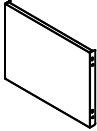


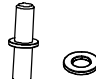




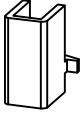

Important!

Thank you for your purchase. Please open it carefully.

If you encounter any problems, please contact us.

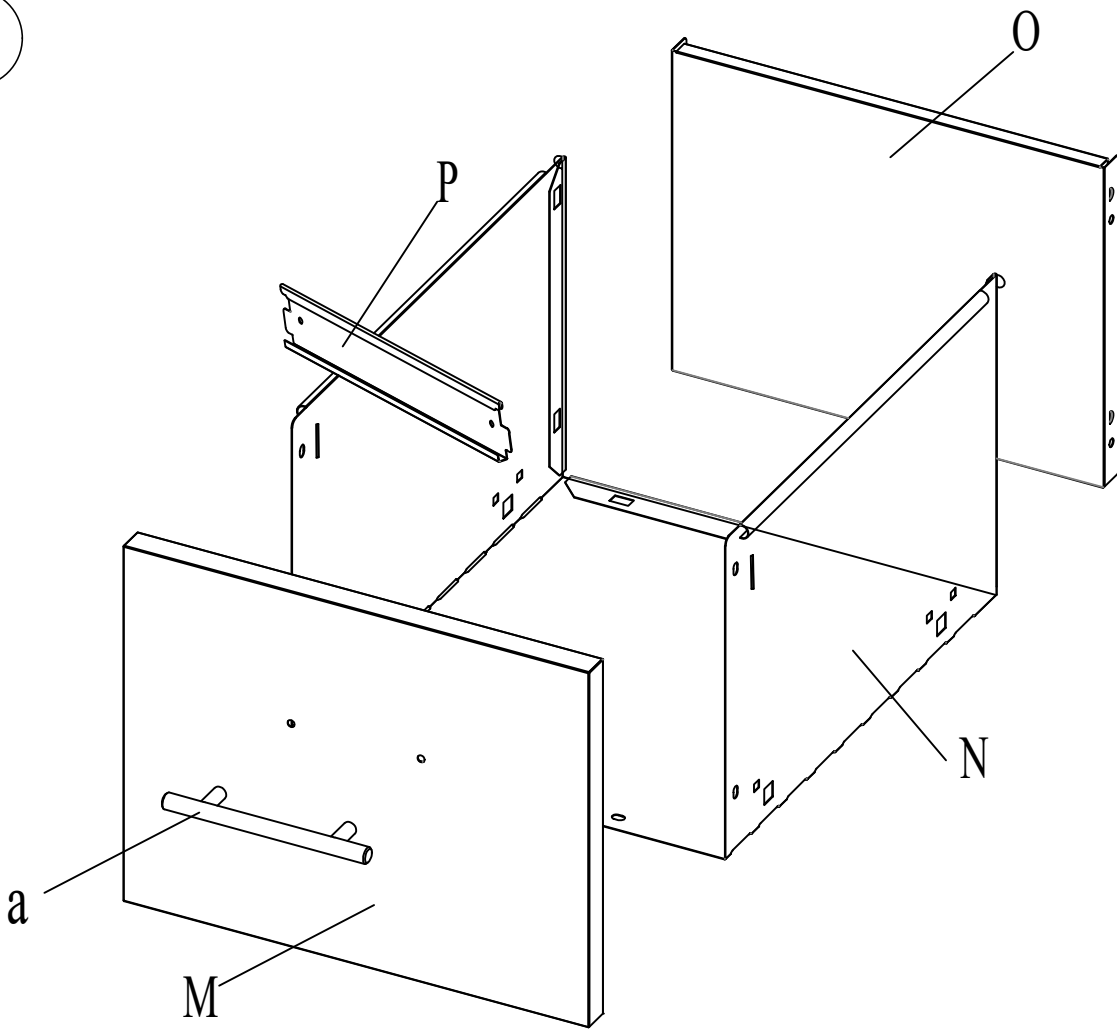
Service tenet - to enable customers to enjoy high-quality service.



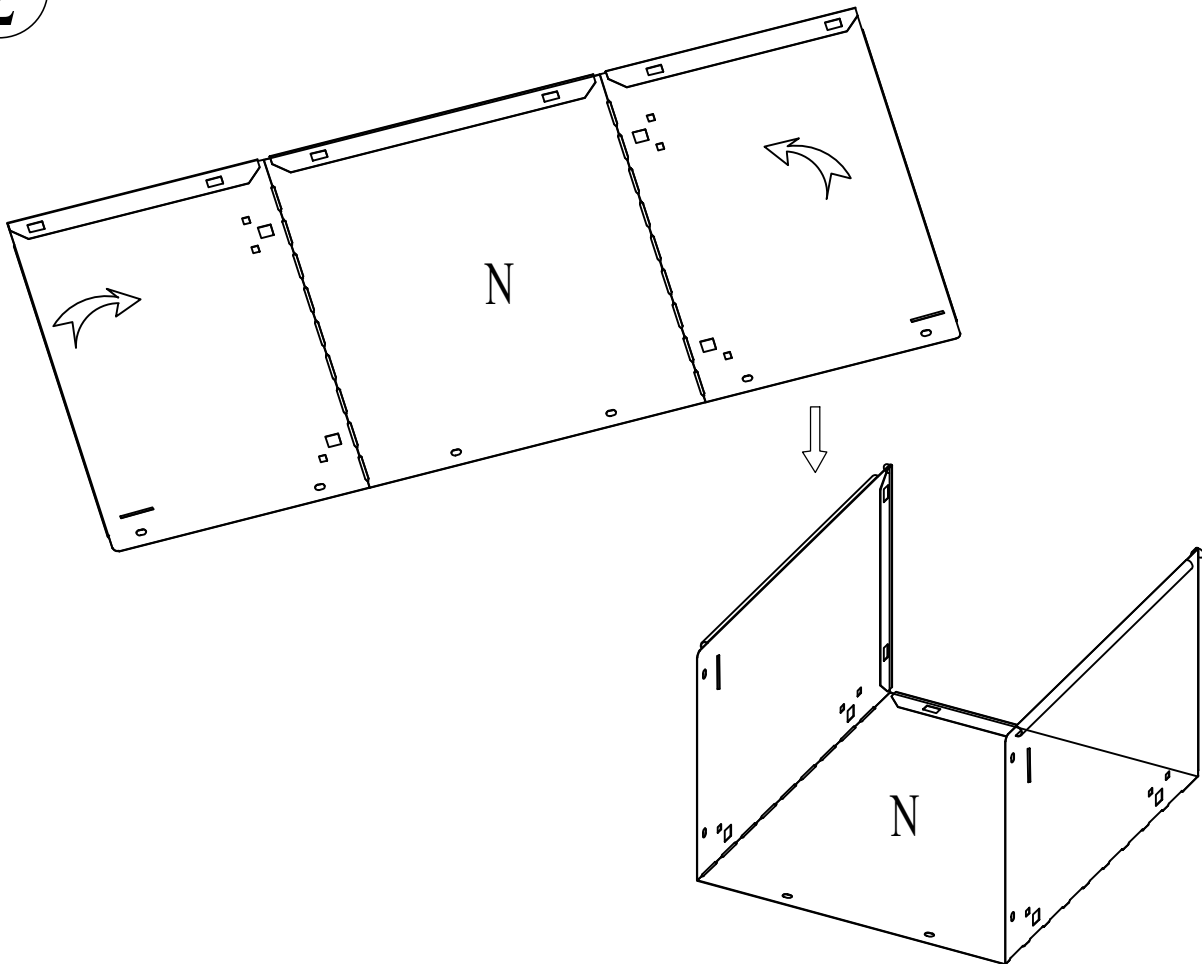
| PARTS LIST    |                        | LISTE DES PIÈCES |       |                       | LISTA DE PIEZAS           |   |       |   |
|---------------|------------------------|------------------|-------|-----------------------|---------------------------|---|-------|---|
| Nom<br>Nombre | Part<br>Piece<br>Pieza | Qty<br>Qte       | Spare | Name<br>Nom<br>Nombre | Part<br>Piece<br>Pieza    | Qty<br>Qte  | Spare |   |
| A             | Left Side panel        | 1                |       | M                     | Drawer Front Panel        |    | 3     |   |
| B             | Right Side panel       | 1                |       | N                     | Drawer Box                |    | 3     |   |
| G             | Vertical boundary      | 1                |       | O                     | Drawer Back Panel         |    | 3     |   |
| D             | Left Back Panel        | 1                |       | R                     | Adjustable foot           |    | 4     |   |
| E             | Middle back            | 1                |       | Q                     | Bottom support            |   | 2     |   |
| F             | Right Back Panel       | 1                |       | S                     | Door Pivot Pin /Shim      |  | 2     |   |
| I             | Top Panel              | 1                |       | T                     | 13/32" Screw              |  | 57    | 2 |
| J             | Partition bottom plate | 2                |       | U                     | Drawer Sliding Rail       |  | 3     |   |
| K             | Left Door              | 1                |       | P                     | Hanging Bar               |  | 3     |   |
| L             | Right Door             | 1                |       | W                     | Shelf Support             |  | 4     |   |
| H             | Top Rail               | 1                |       | X                     | Laminate fastening buckle |  | 4     |   |
| C             | Kick Plate             | 2                |       | Y                     | magnet                    |  | 4     |   |



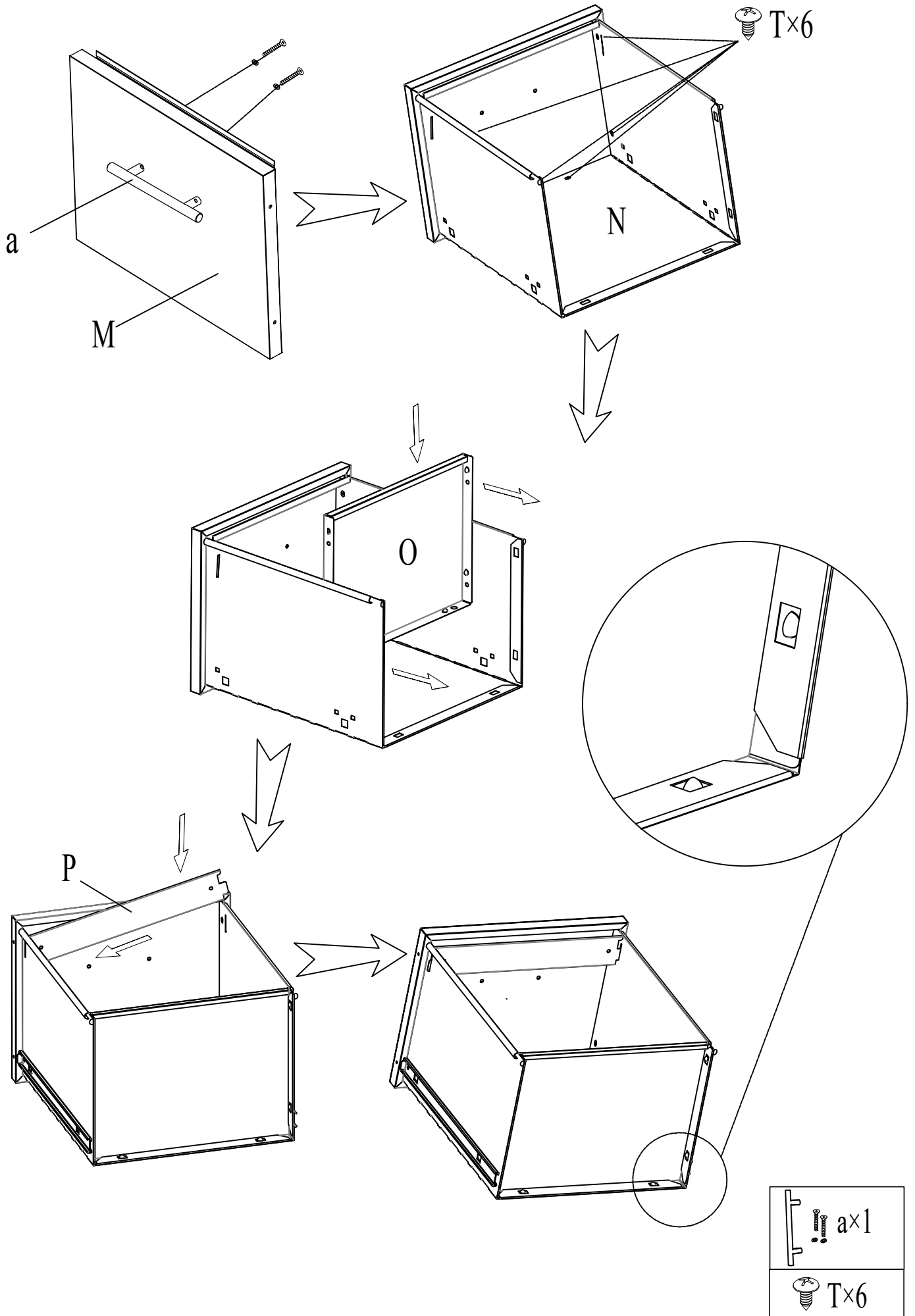
1



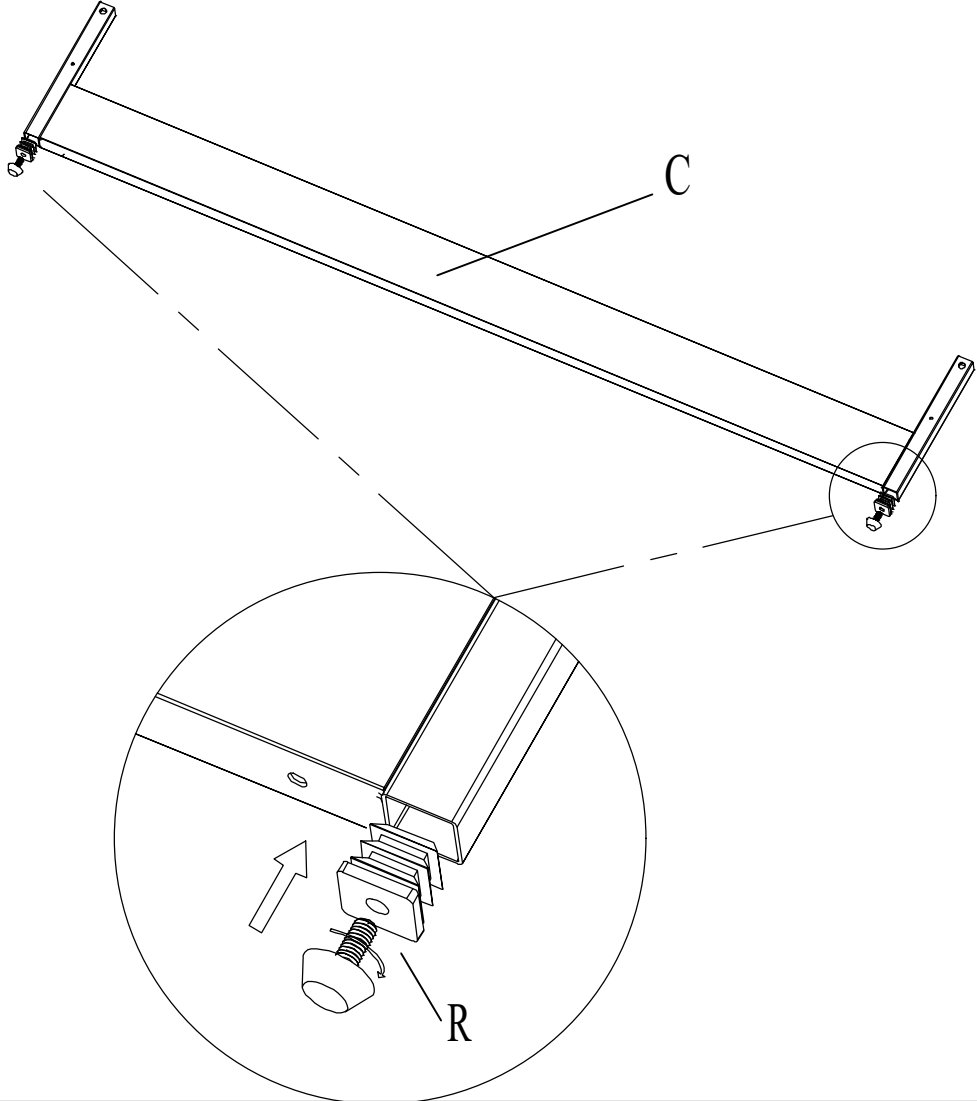
2



3

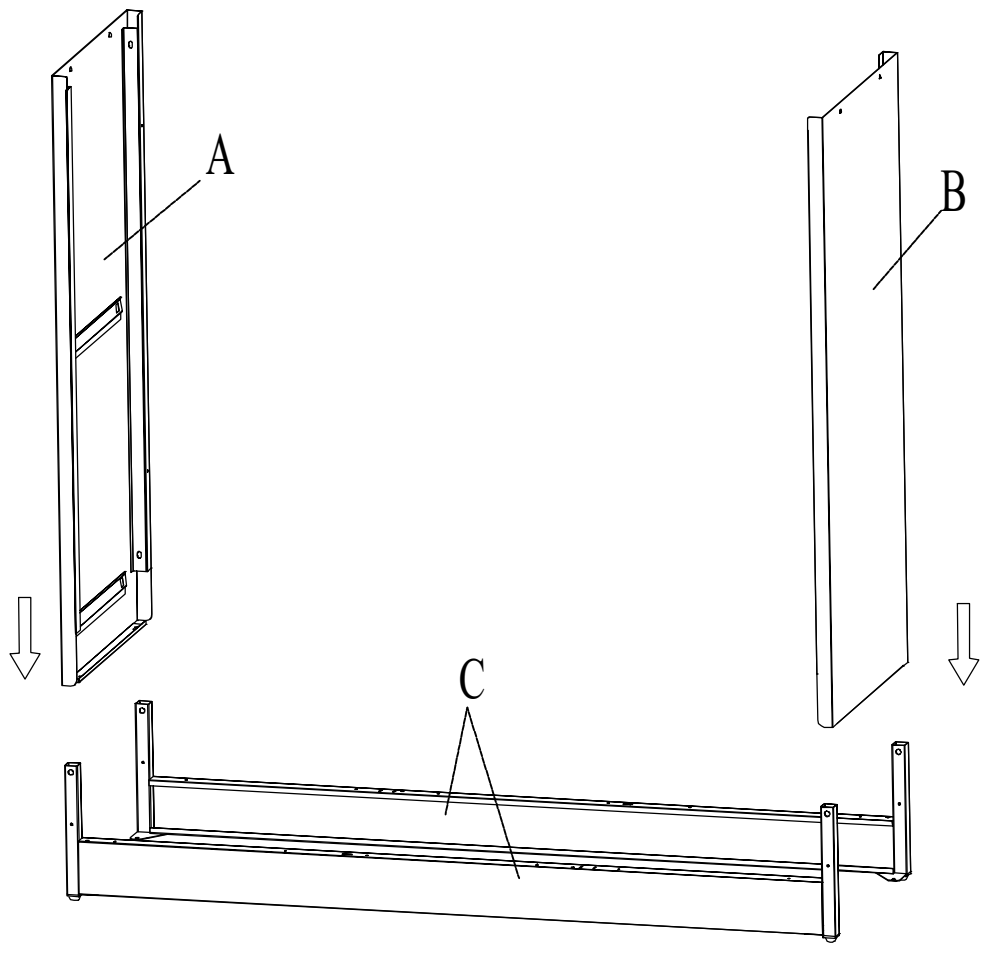


4

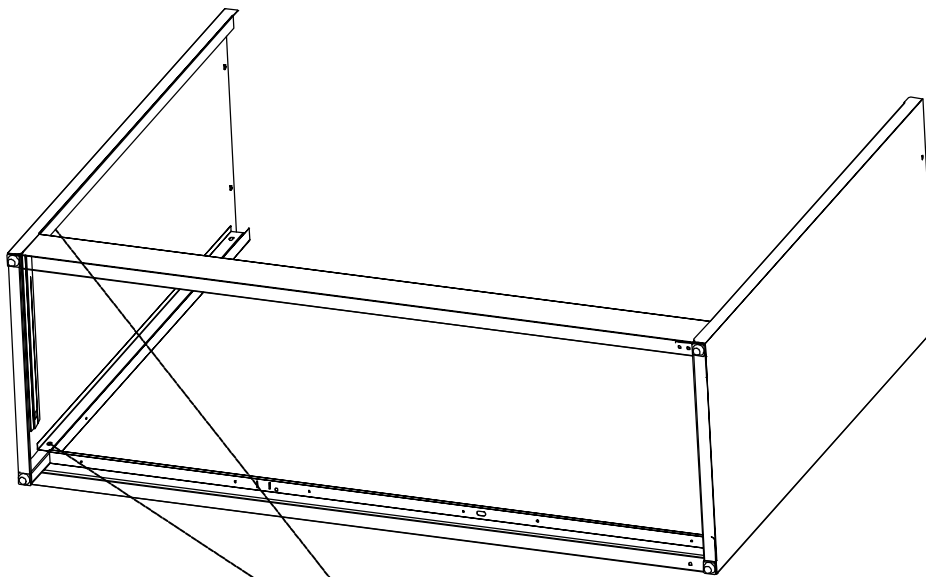


 R×2

5



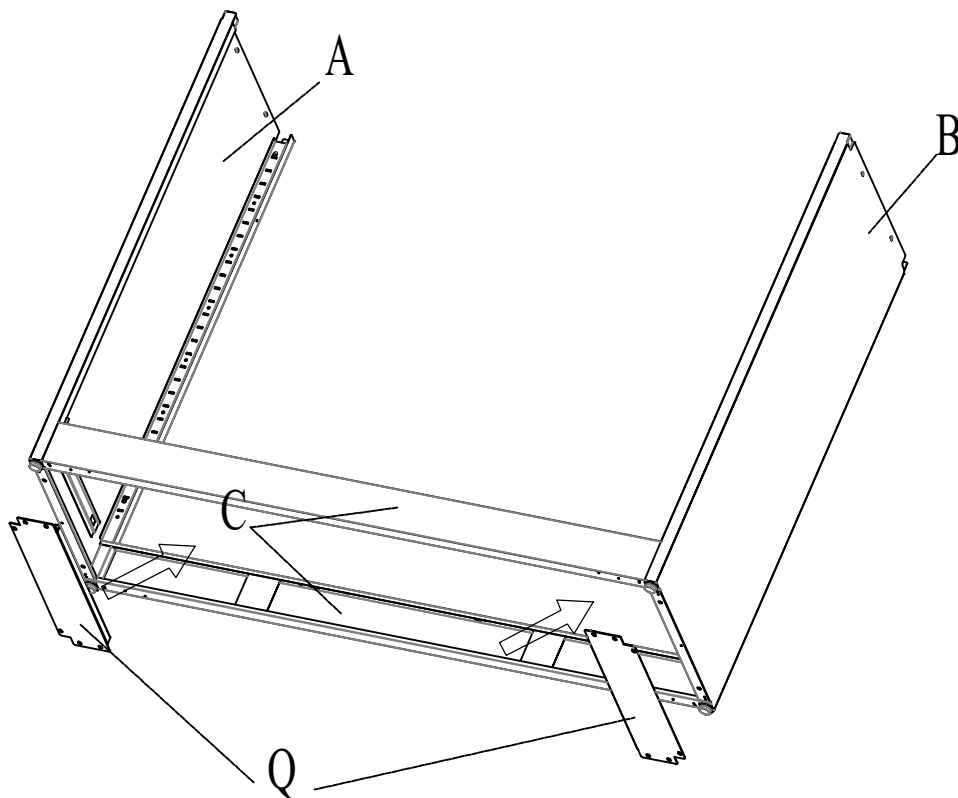
6



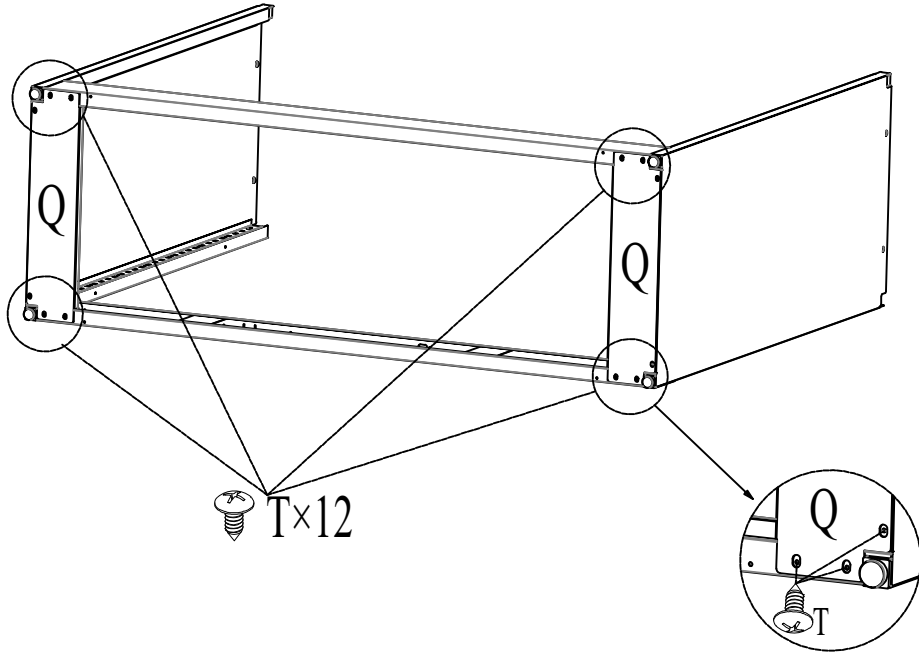
 T×2

 T×2

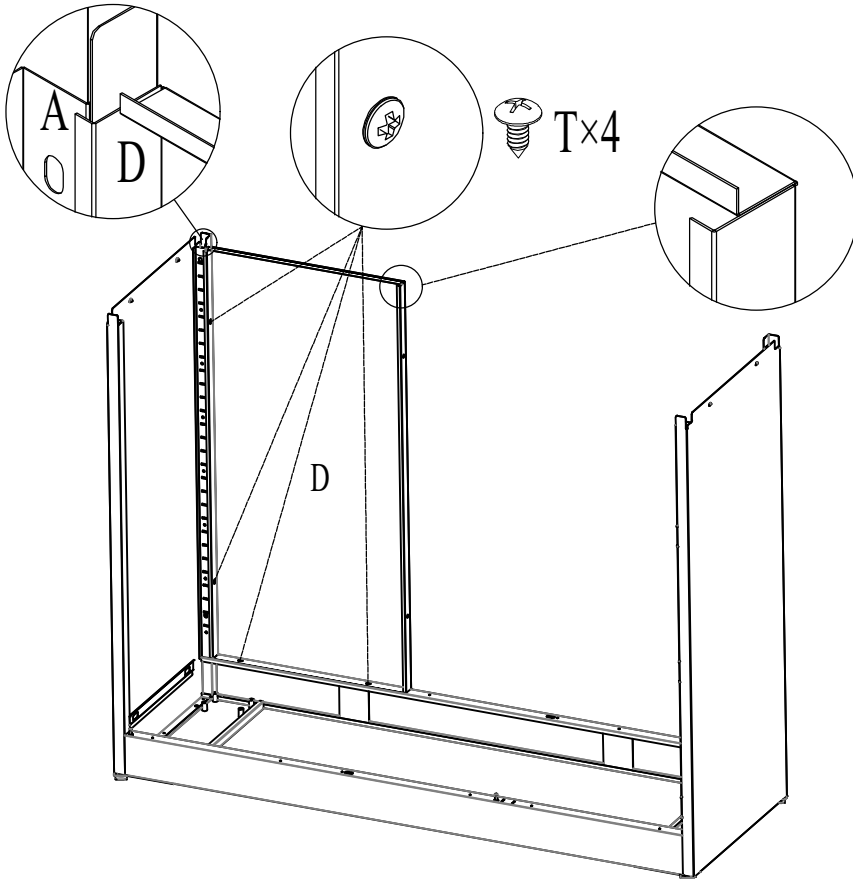
7



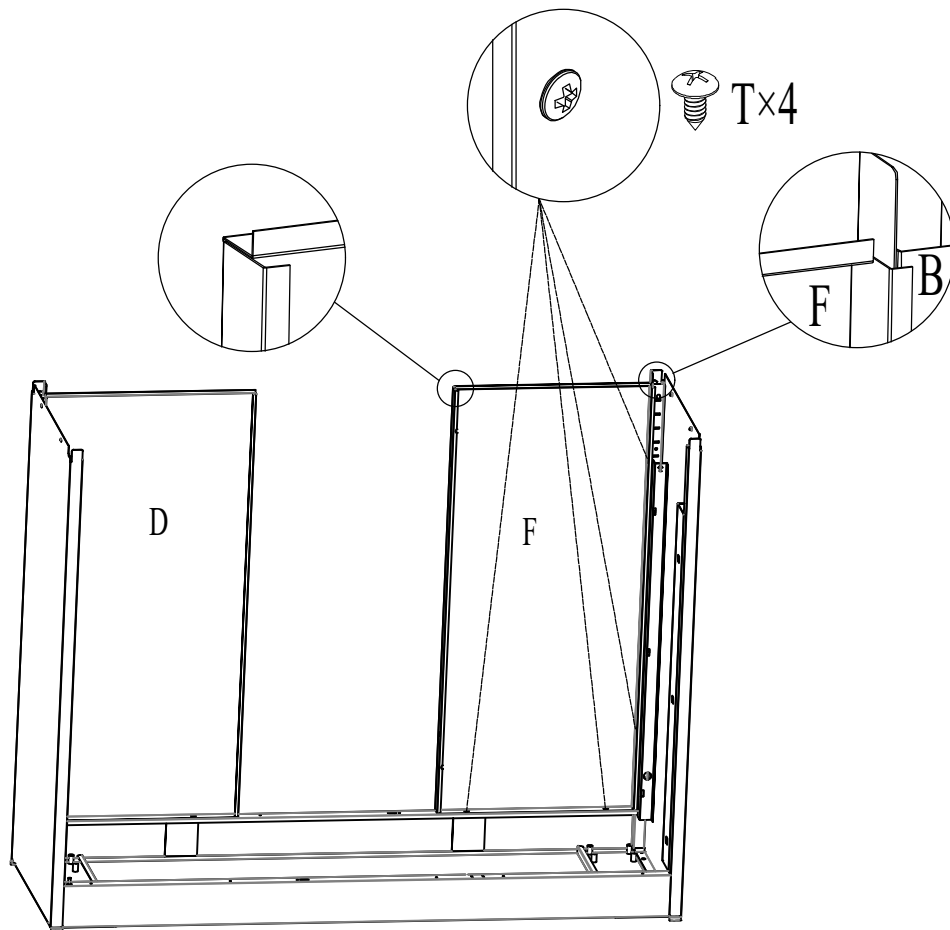
8



9

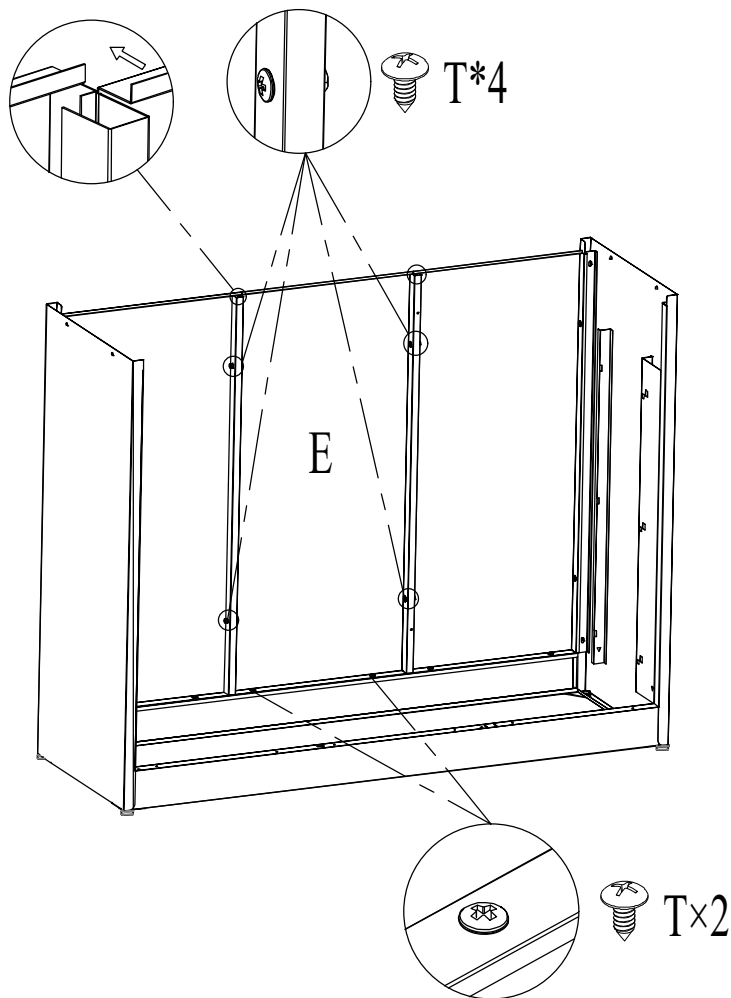


10



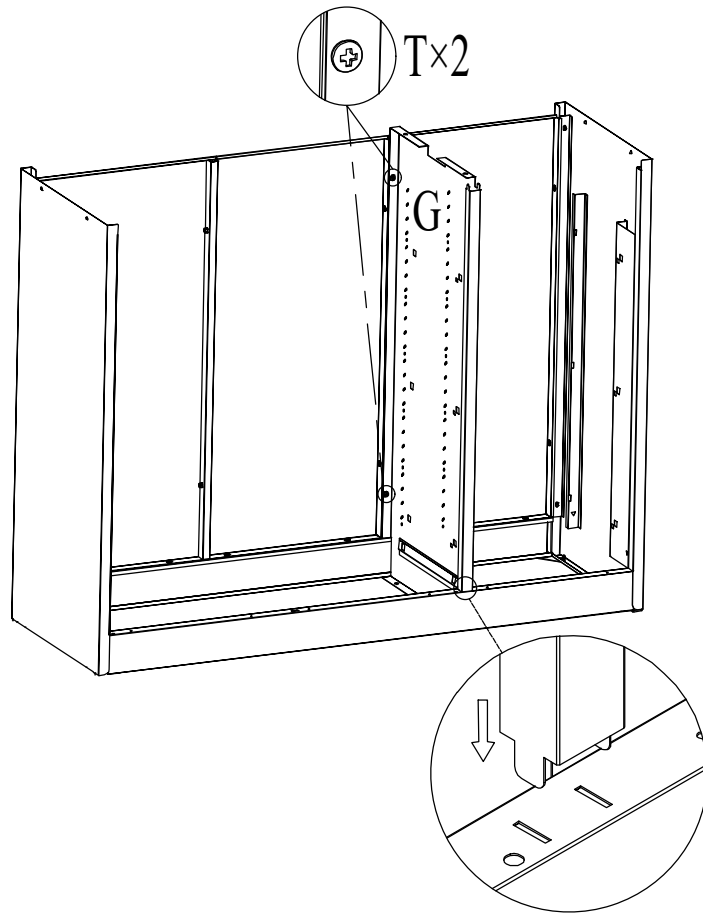
T×4

11

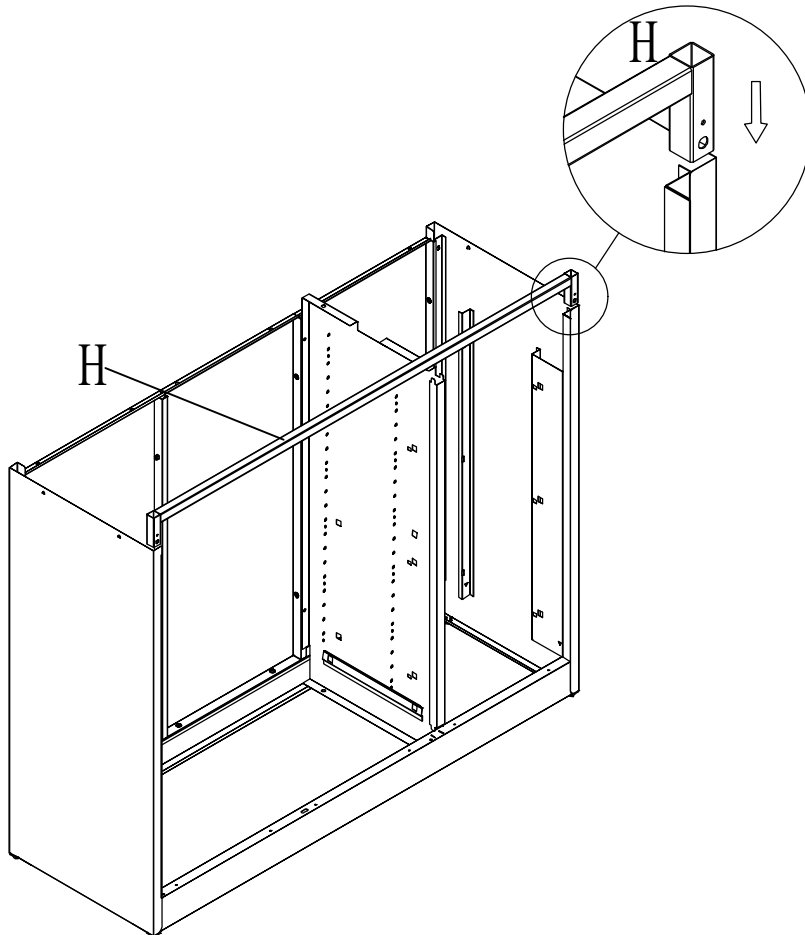


T×6

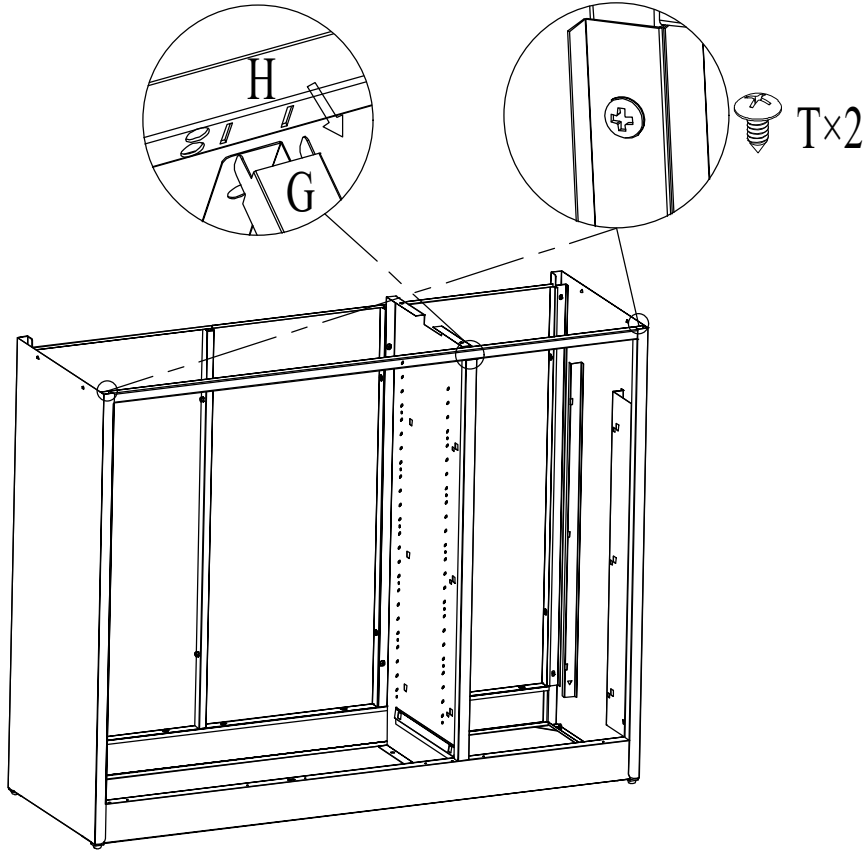
12



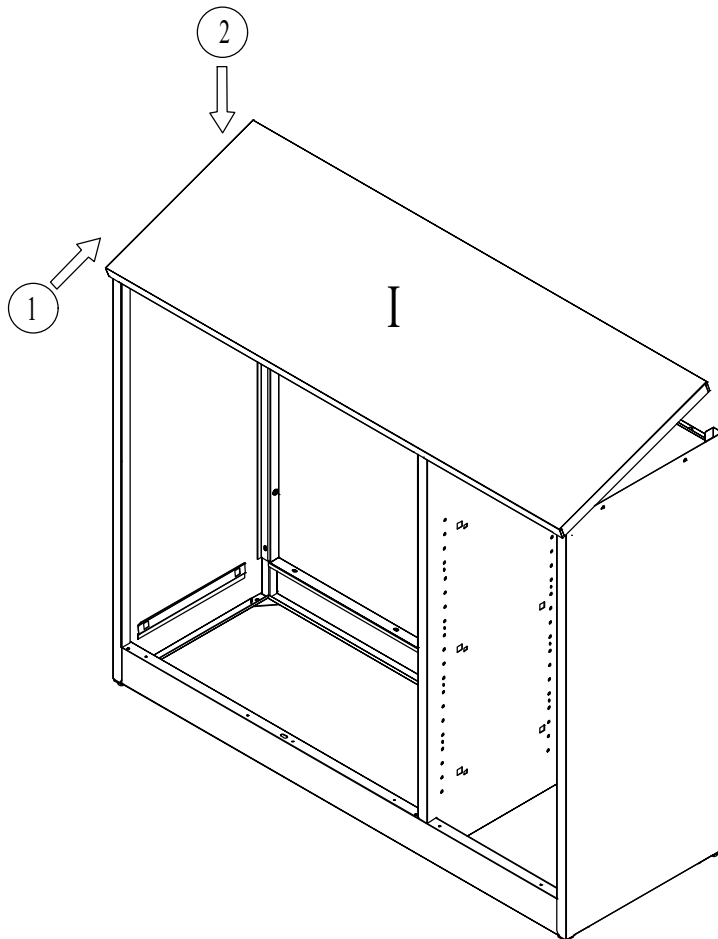
13



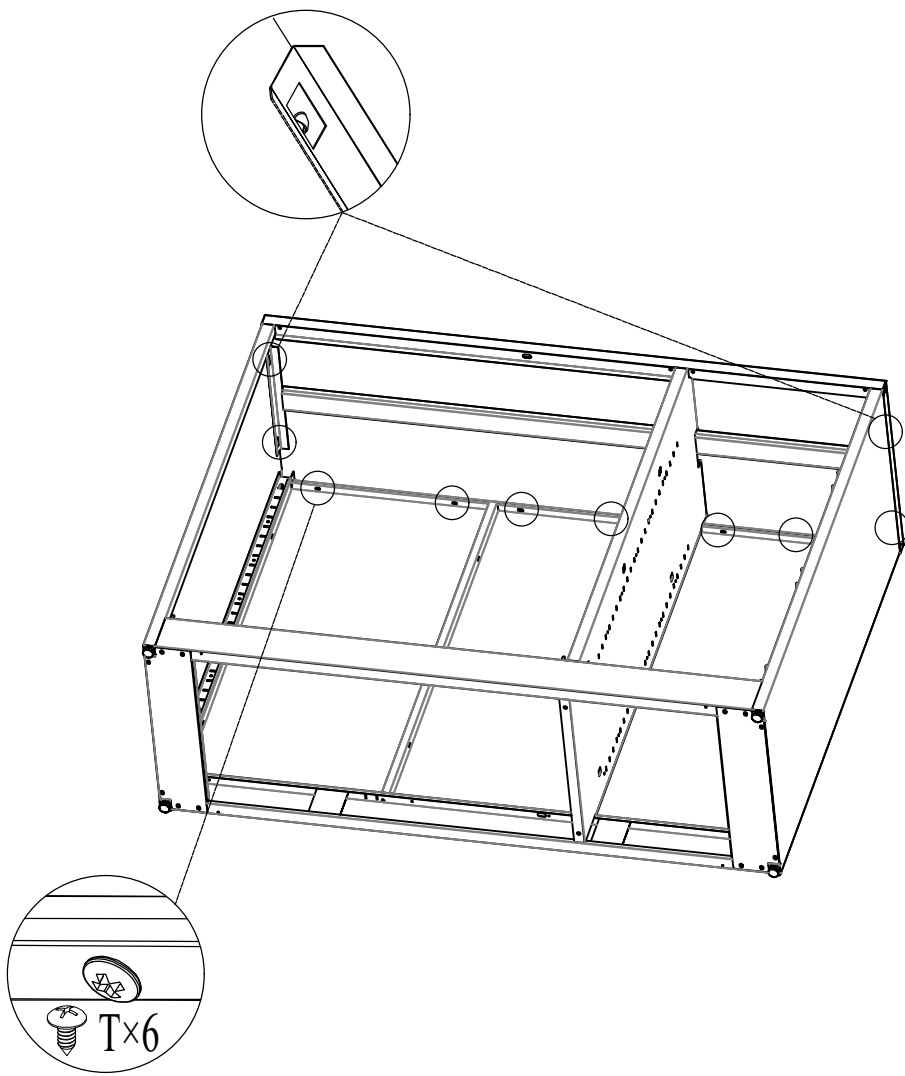
14



15

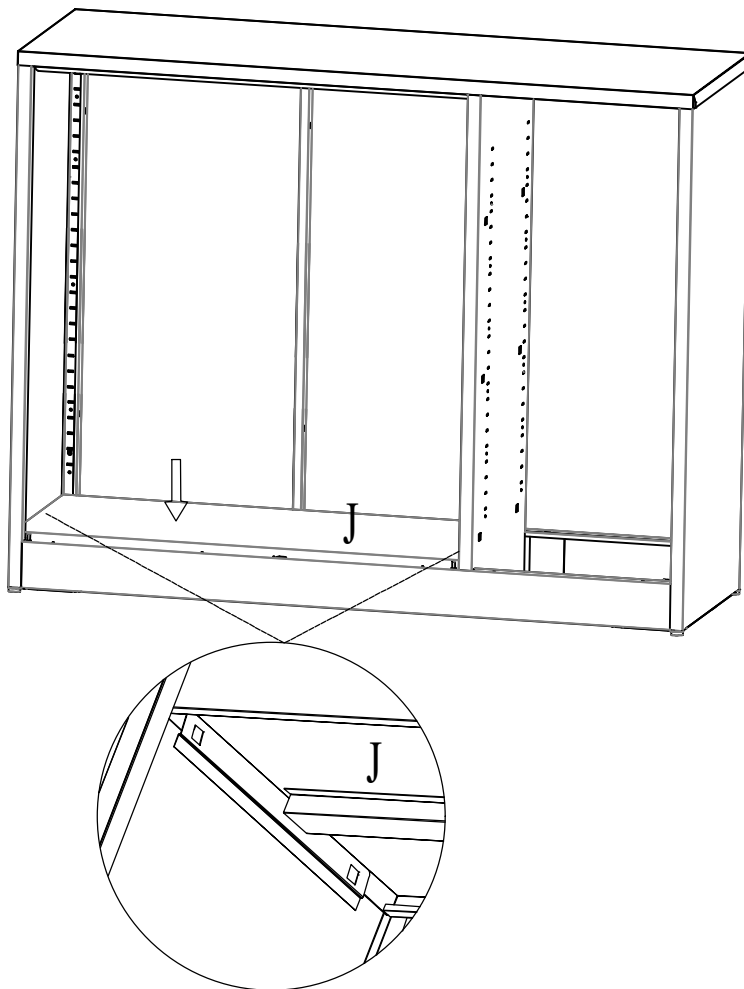


16

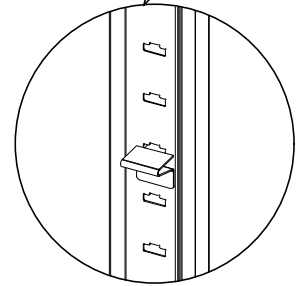
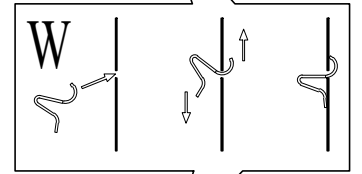
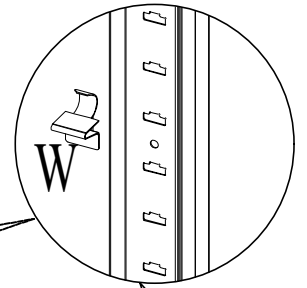
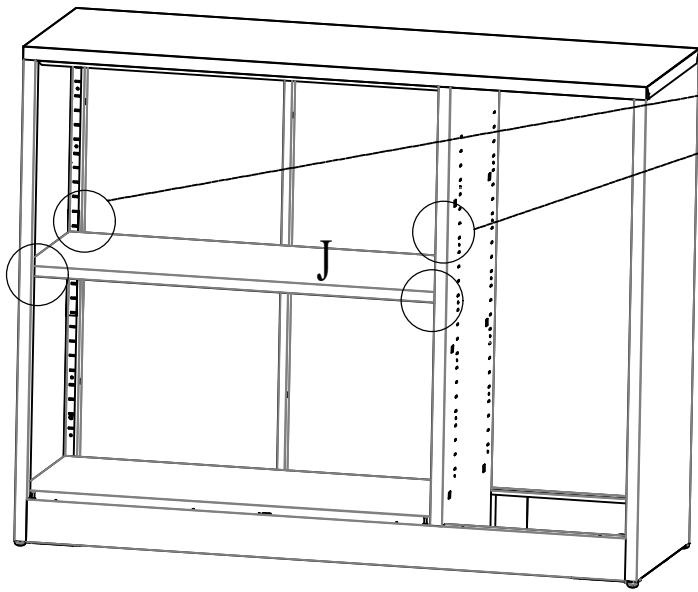


T×6

17

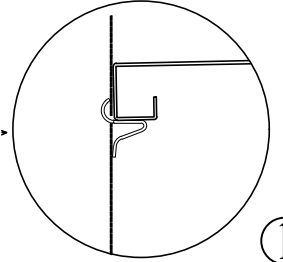
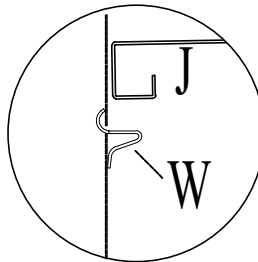
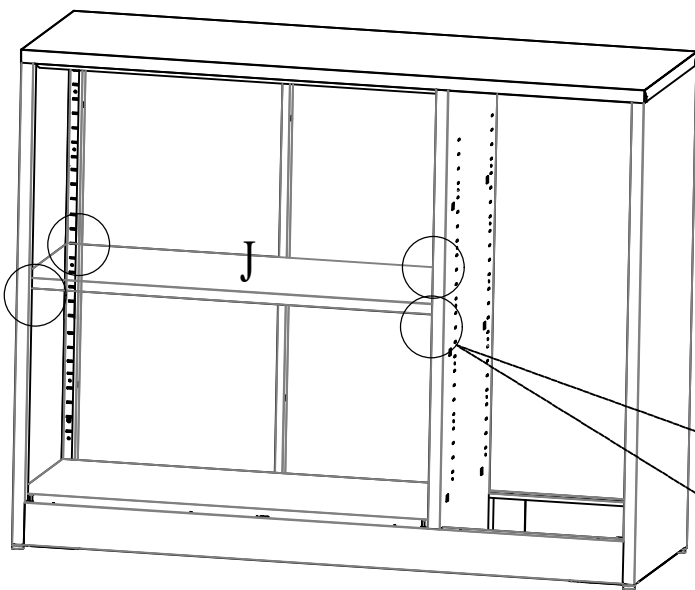


18

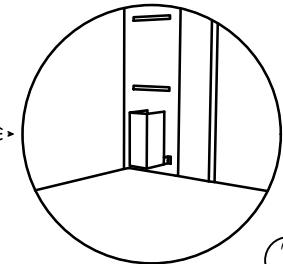
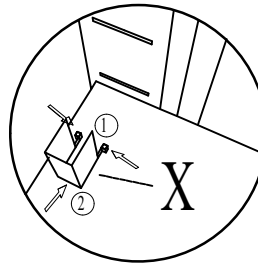


 W×4

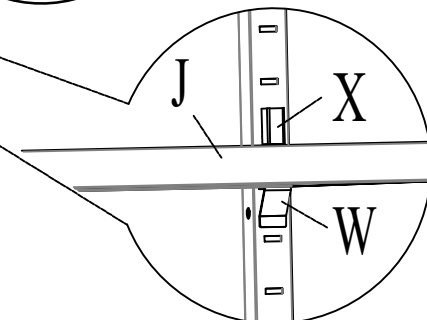
19

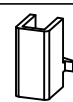


①

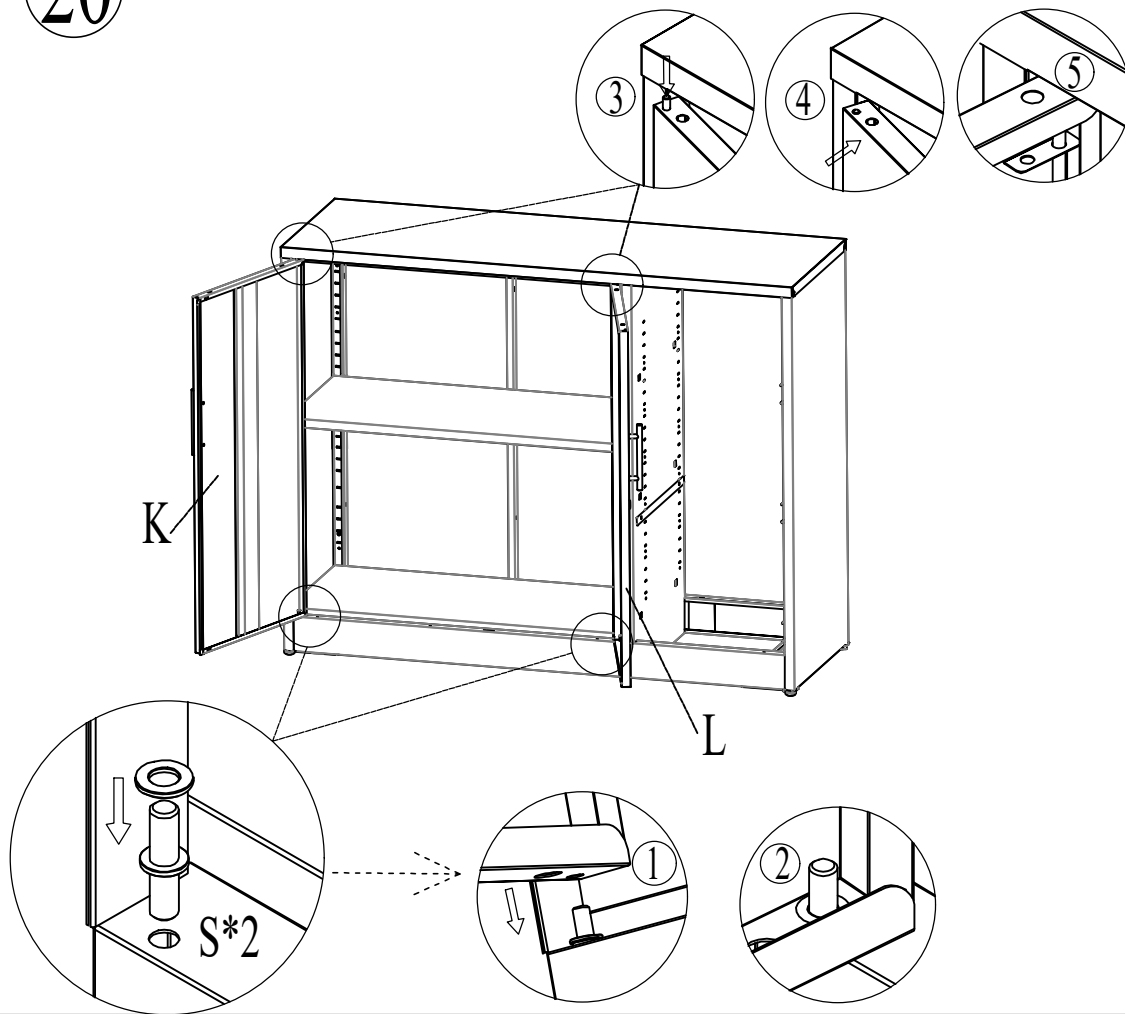


②

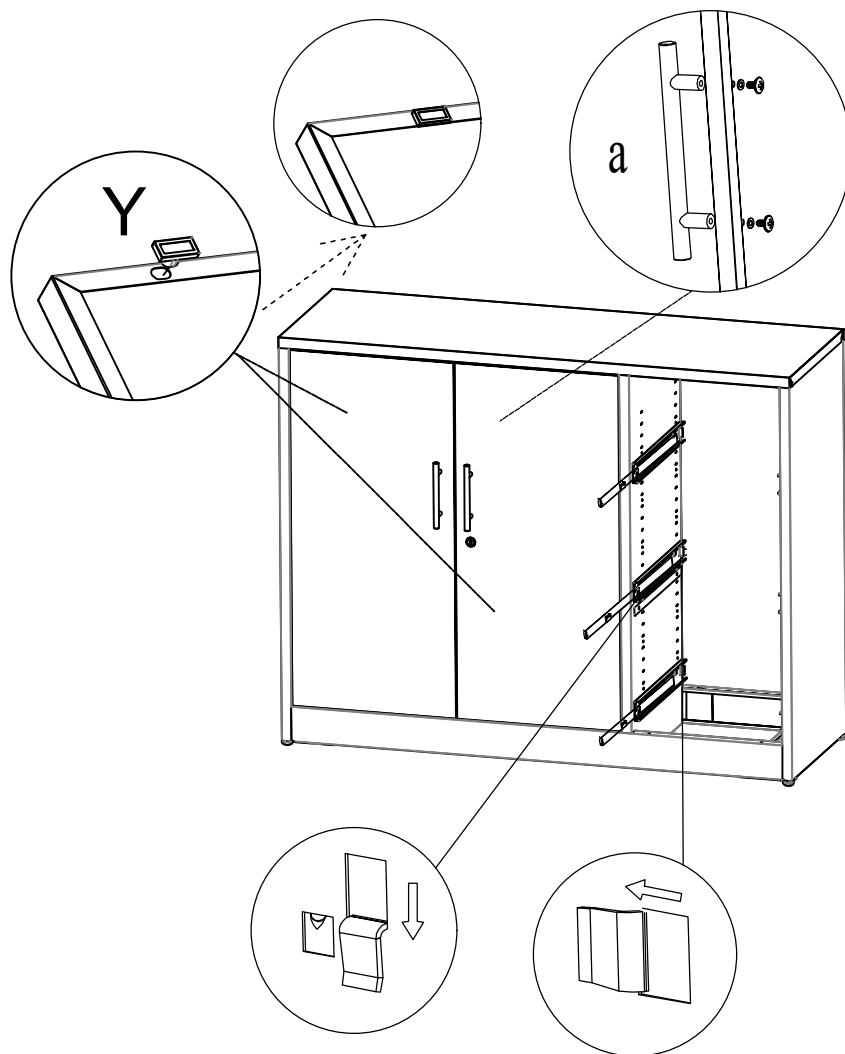





 X×4

20



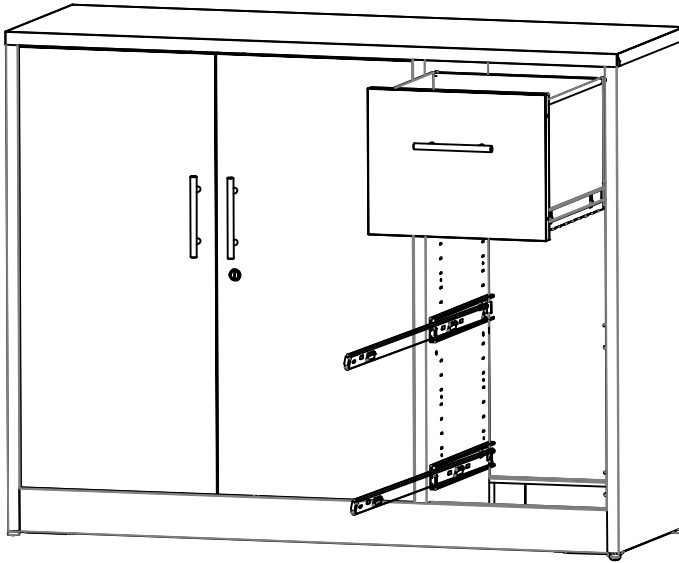
21



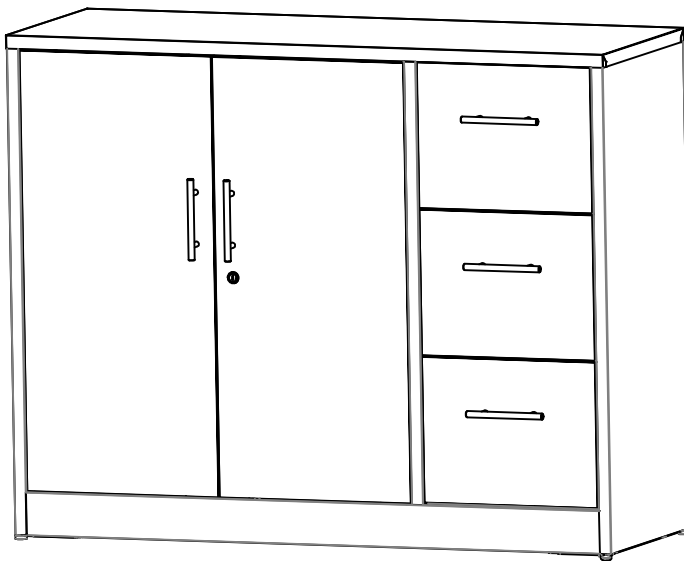
|   |     |
|---|-----|
|  | Y×4 |
|  | a×2 |
|  | U×3 |

22

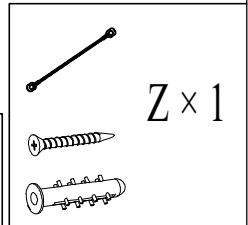
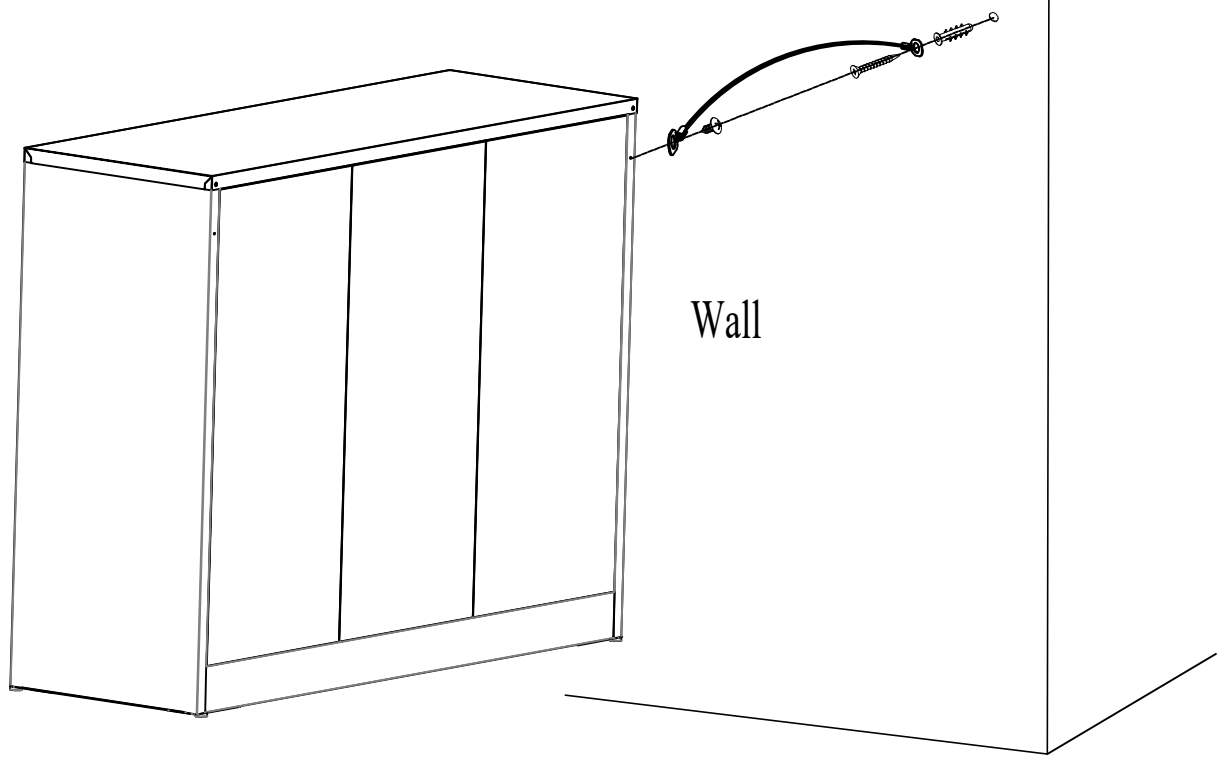
Completely pull out the slide rails of the left and right side, and place the drawer above the inner side of the slide rails. Make sure both sides of the drawer are aligned with the slide rails.



23

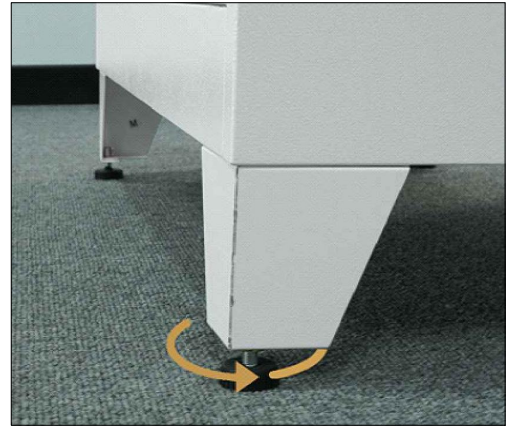
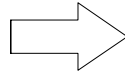
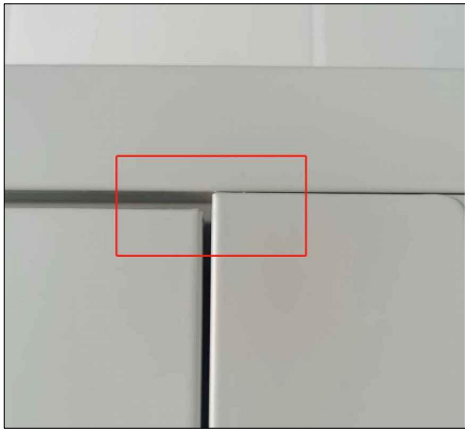


The cabinet can be fixed to the wall as needed.



# Problems and Solutions

Question 1: when encountering uneven height of two door panels, adjust the bottom adjustment foot to make it flat.



Question 2: When the door is closed, it still protrudes outward.

That's because the door is made of steel plate and has stretchability. You can adjust it according to the method shown in the picture.

