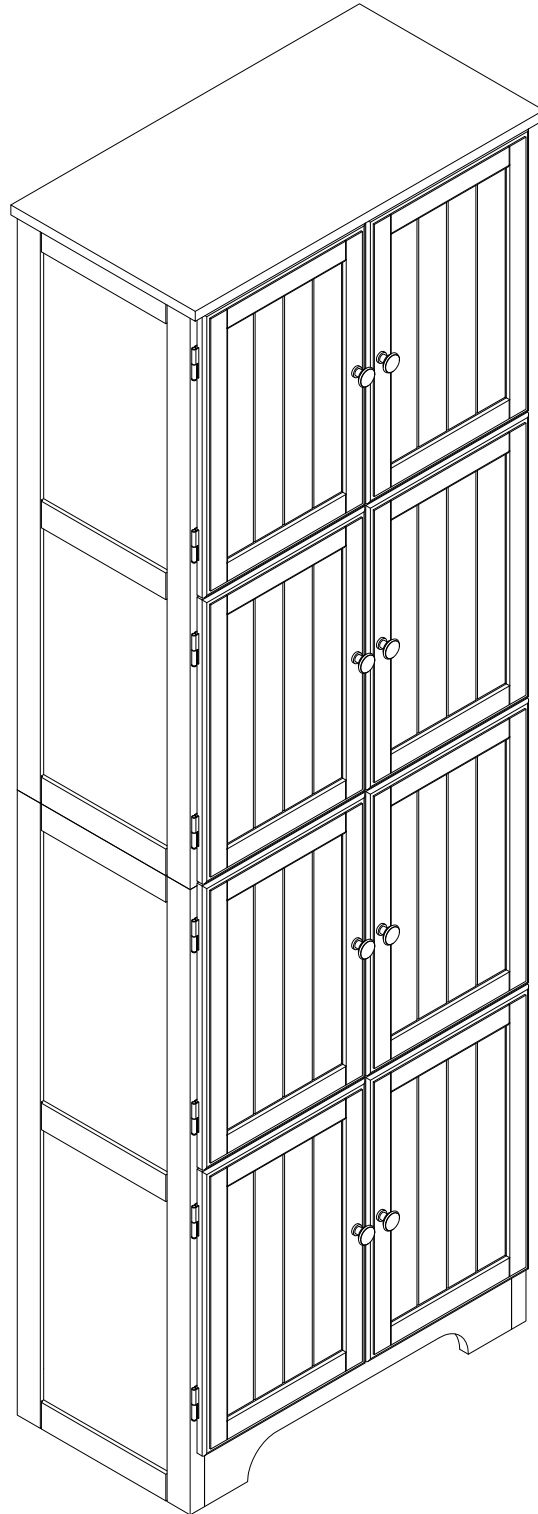
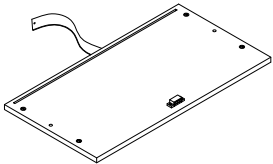
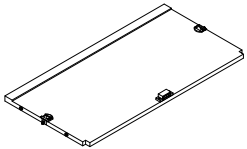
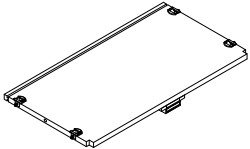
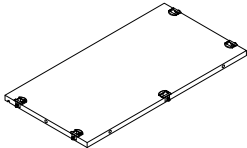
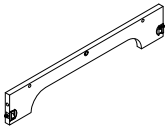
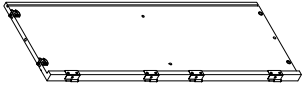



WALL CABINET

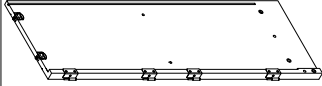
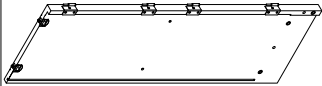


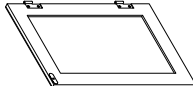
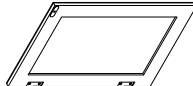
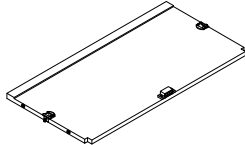
ASSEMBLY INSTRUCTIONS




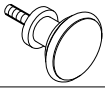


Part List:

ITEM	DESCRIPTION	PART	QTY
1	Top		1
2	Upper shelf		1
3	Middle panel		1
4	Bottom		1
5	Apron		1
6	Upper left side		1
7	Upper right side		1




Part List:

ITEM	DESCRIPTION	PART	QTY
8	Lower left side		1
9	Lower right side		1
10	Upper back panel		1
11	Lower back panel		1
12	Left door		4
13	Right door		4
14	Lower shelf		1

Hardware List:

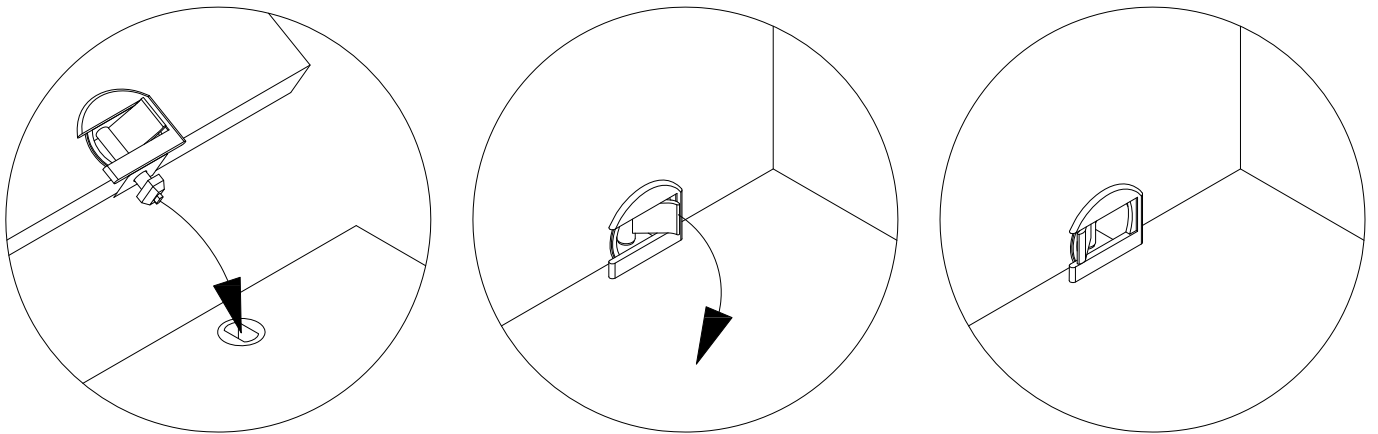
ITEM	DESCRIPTION	PART	QTY
A	Wooden dowel	 $\Phi 8 * 30 \text{mm}$	20
B	Knob		8
C	Bolt	 $\Phi 1/4" * 5/8 \text{mm}$	2
D	Wrench		2

Hardware List:


ITEM	DESCRIPTION	PART	QTY
E	Plastic anchor		1
F	Mounting screw	 $\Phi 4 * 38 \text{mm}$	1
G	Flat washer		1

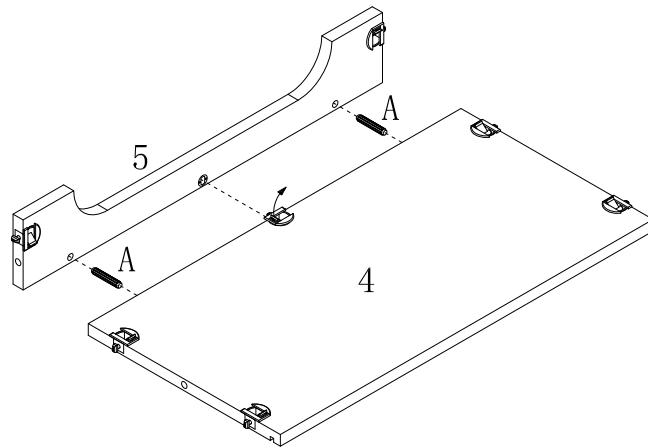
- * Required screwdriver & mallet, not included.
- * Before discarding packing materials, please check to make sure that all parts and hardware is present.
- * Two people needed for assembly.
- * Please follow the instructions closely; do not over tighten screws or bolts unless instructed.
- * After a few days from initial assembly, the product may have acclimated to the new environment. Please retighten the hardware.

Guideline For Assembling of Plastic Lock




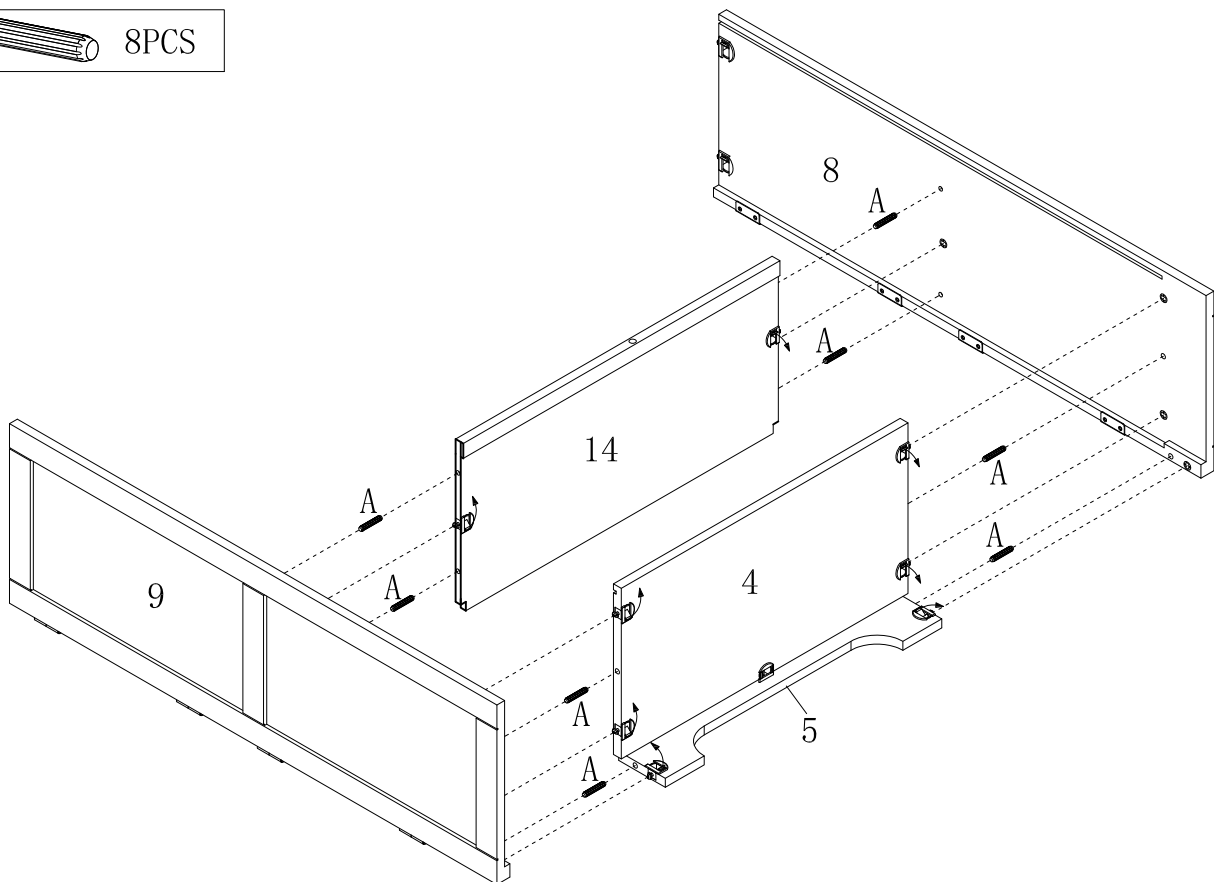
STEP 1

A:  2PCS

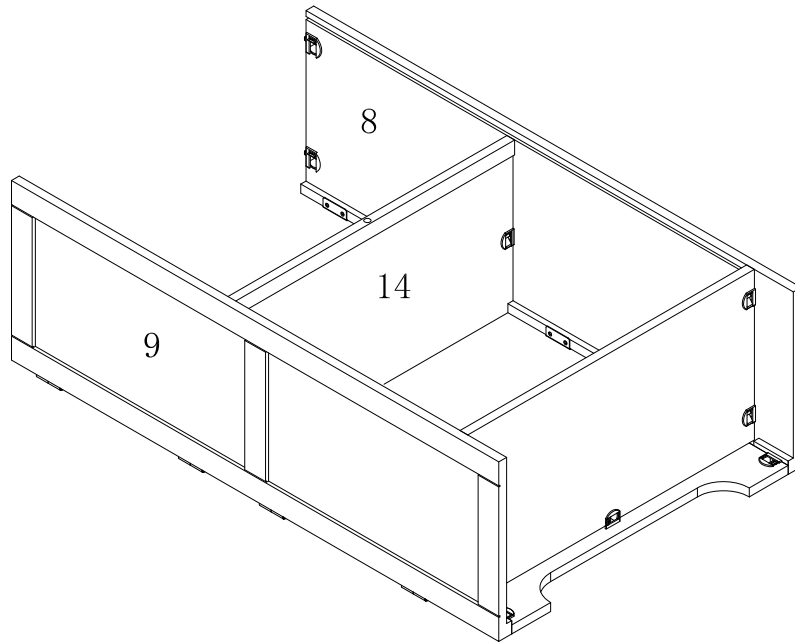


STEP 2


A:  8PCS

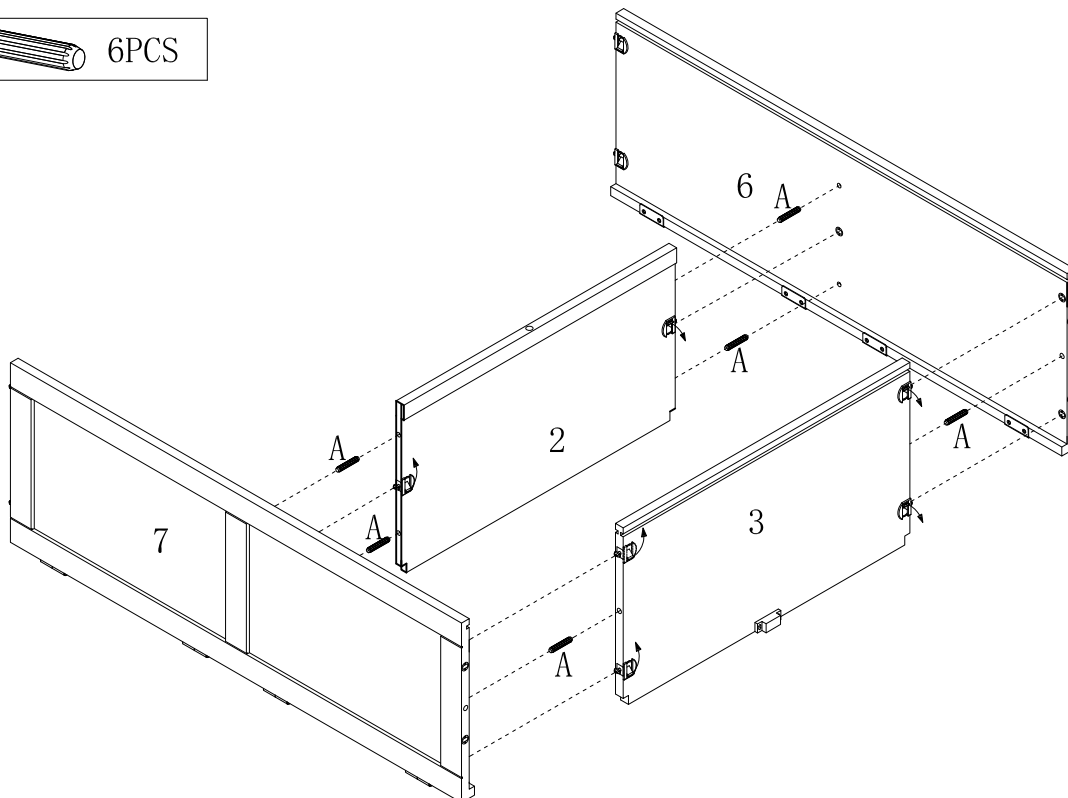


STEP 3

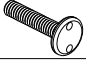



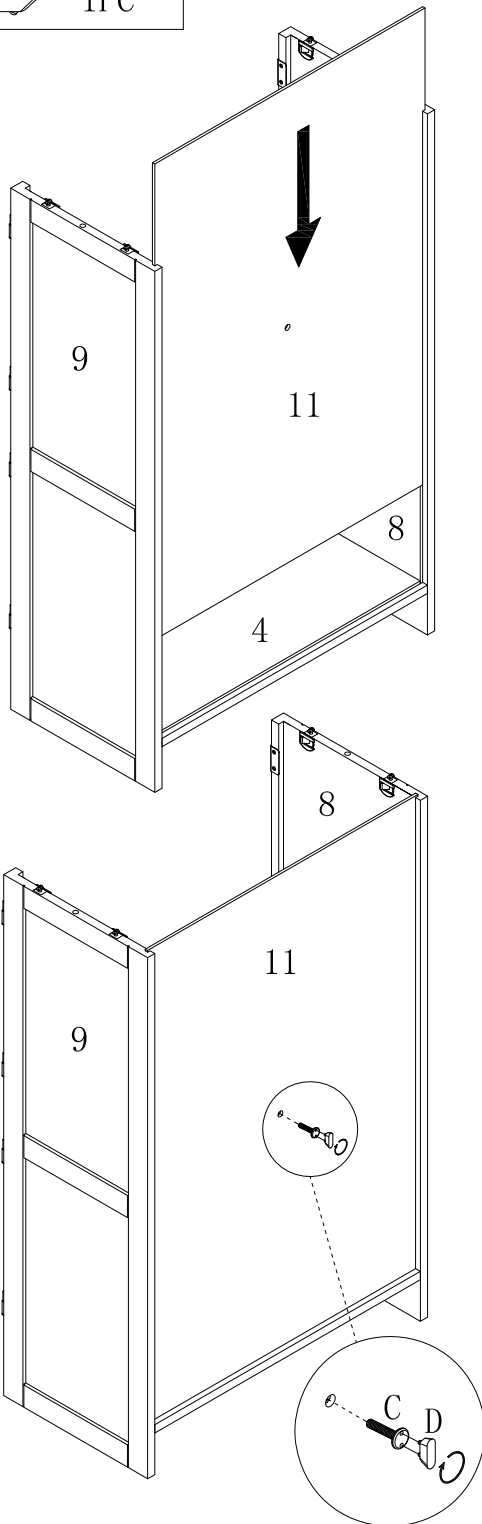
STEP 4

A:  6PCS




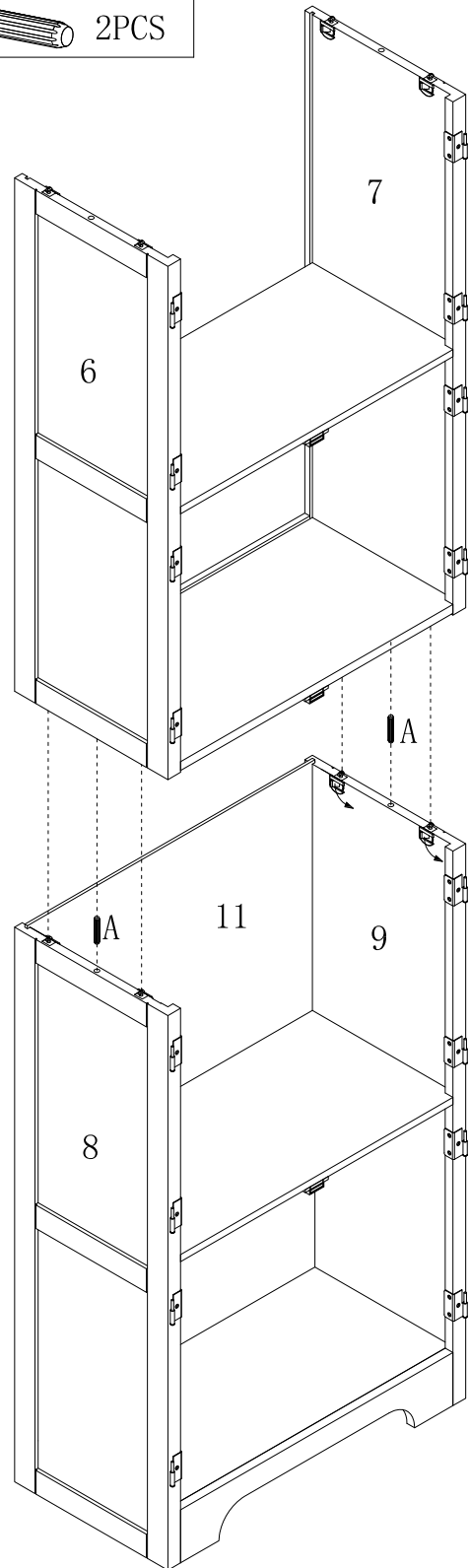
STEP 5

- | | | |
|----|---|-----|
| C: |  | 1PC |
| D: |  | 1PC |

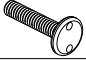



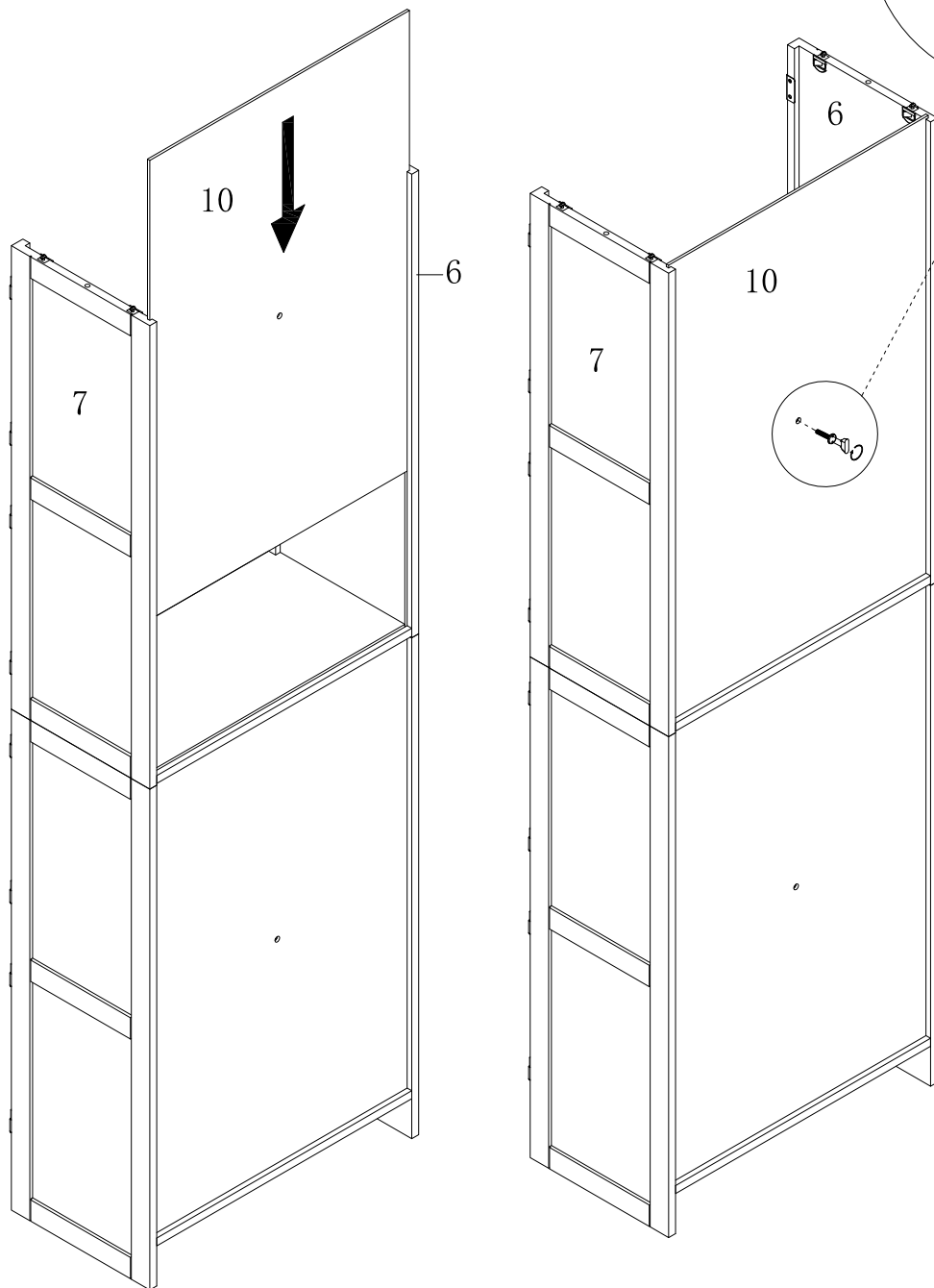
STEP 6

- | | | |
|----|---|------|
| A: |  | 2PCS |
|----|---|------|

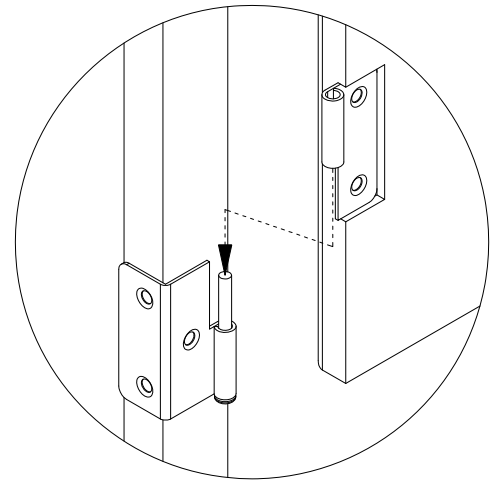
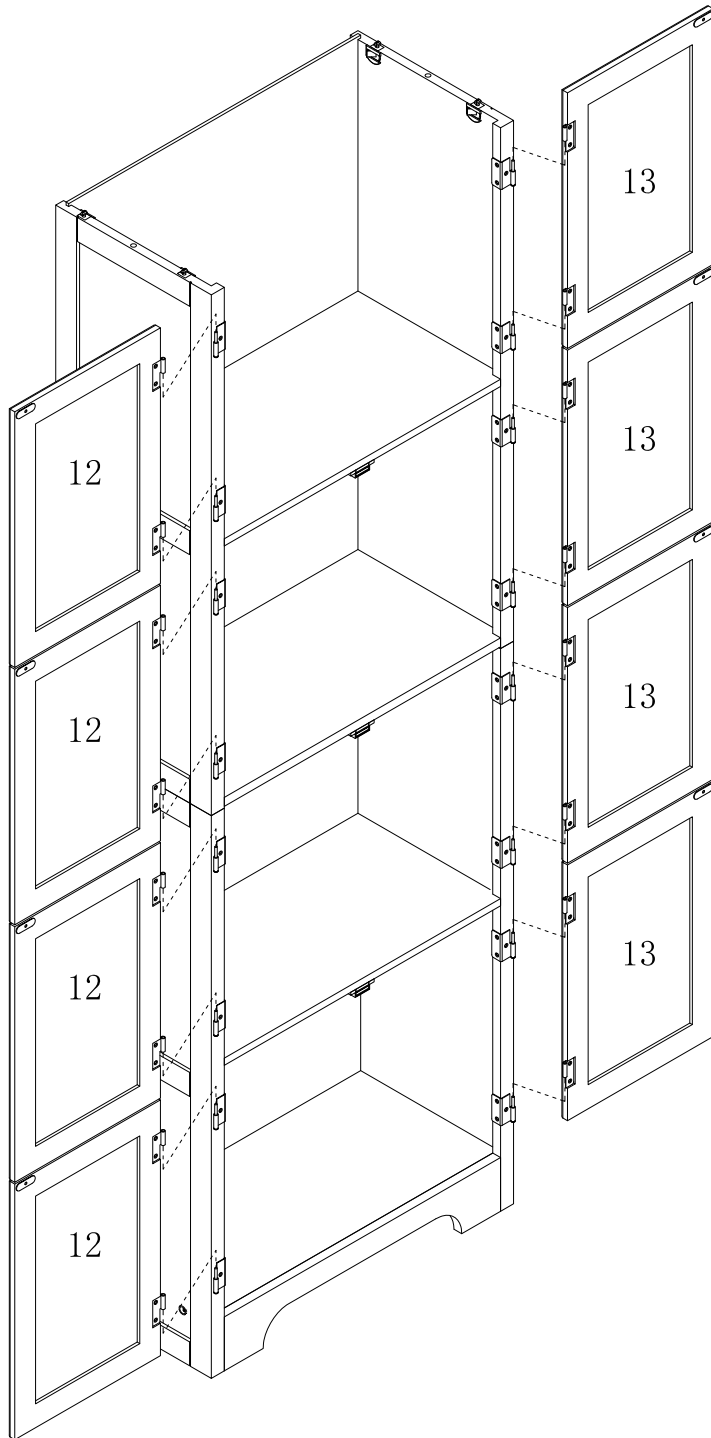


STEP 7


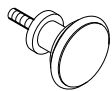
C:		1PC
D:		1PC

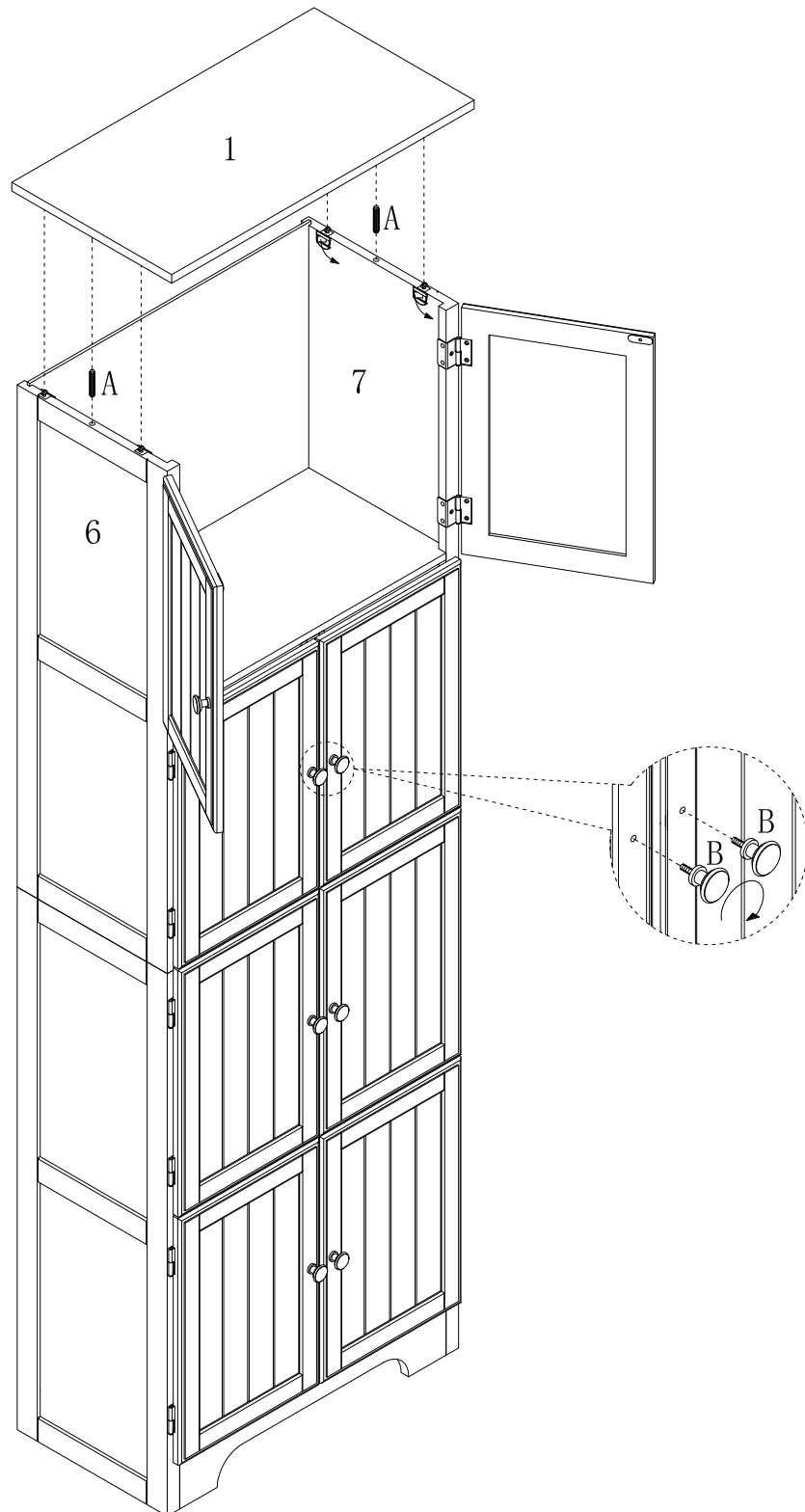


STEP 8






STEP 9

- | | | |
|----|---|------|
| A: |  | 2PCS |
| B: |  | 8PCS |



STEP 10

E:		1PC
F:		1PC
G:		1PC

