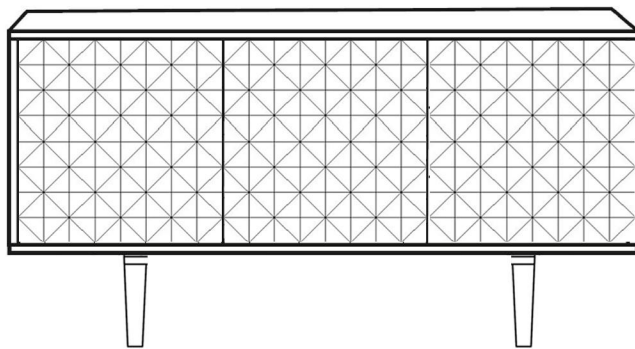


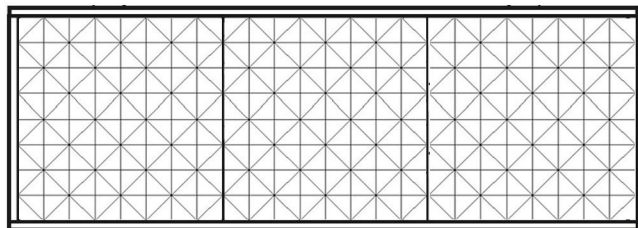
3 DOOR SIDE BOARD

ASSMBLY INSTRUCTIONS

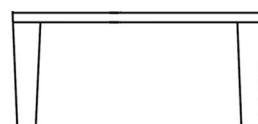


Components:

(A) Cabinet , 1x



(B) Leg, 2x



Hardware & Tools:

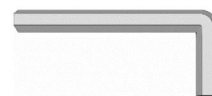
(C) Allen bolt, 6x



(D) Washer, 6x



(E) Allan Key, 1x

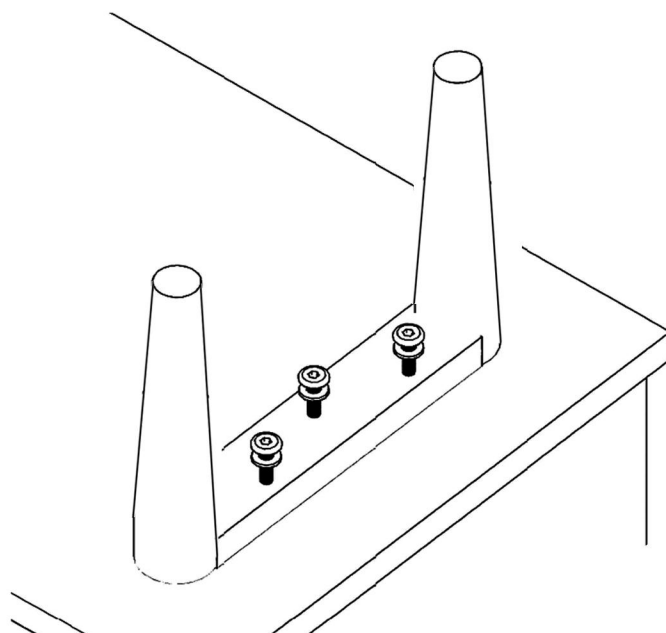


Before beginning:

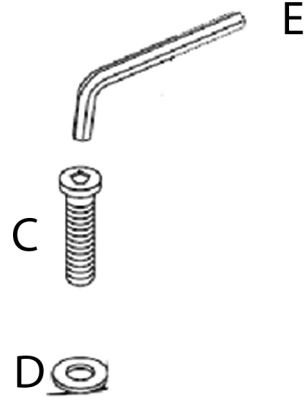
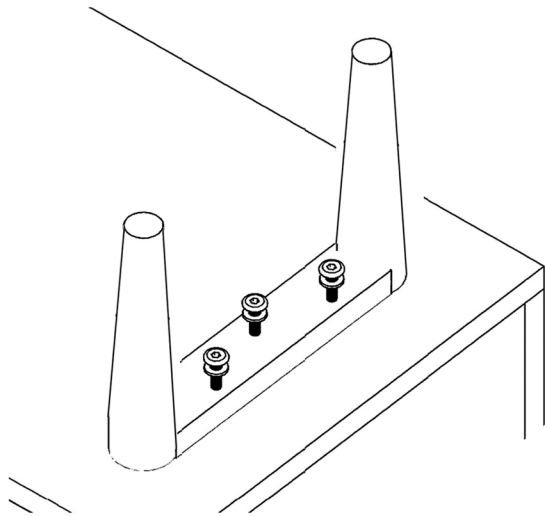
- Unpack all parts and hardware to ensure you have all needed components for assembly.
- Read this guide cover to cover before beginning assembly.
- Have 2 adults on hand for assembly.
- Assemble on a padded, non-marring surface.
- Save all packaging until finish.

Assembly steps

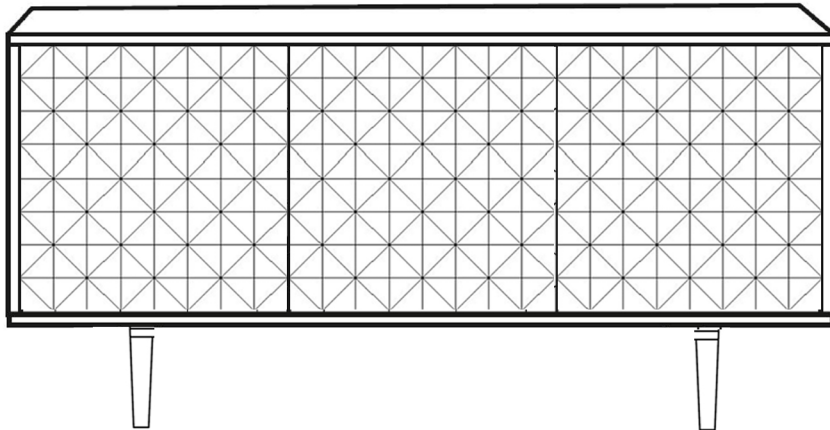
Step 1: Lay the Cabinet (A) on a soft surface, with the inserted nuts facing up. Place the Legs (B) making them match with the Bolt as shown in the image.



Step 2: Attach the legs using the Bolts (C), Washers (D) and tight with Allan Key (E) provided.



Step 3: Turn the Side board on its upright position.



Assembly complete.

Care Instructions:

- Do not clean furniture with harsh clensers or polish.
- Do not put hot items directly on furnitue surface.
- Do not put furniture in direct sunlight.
- Not for commercial use. For residential use only.
- Dust and pick up spills with a clean, non-colored, lint-free cloth.
- Stains may be removed with mild soap and damp cloth.

Thank you!