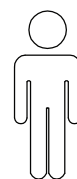
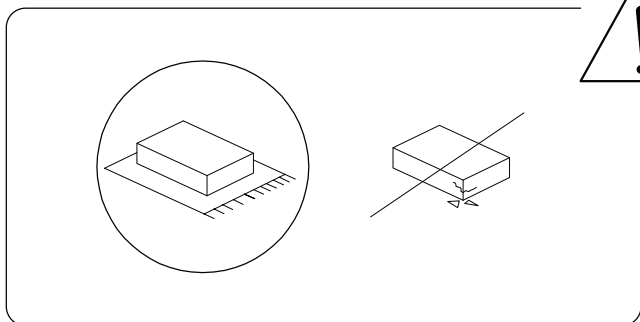
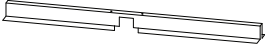
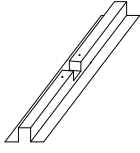

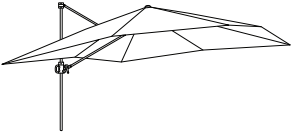
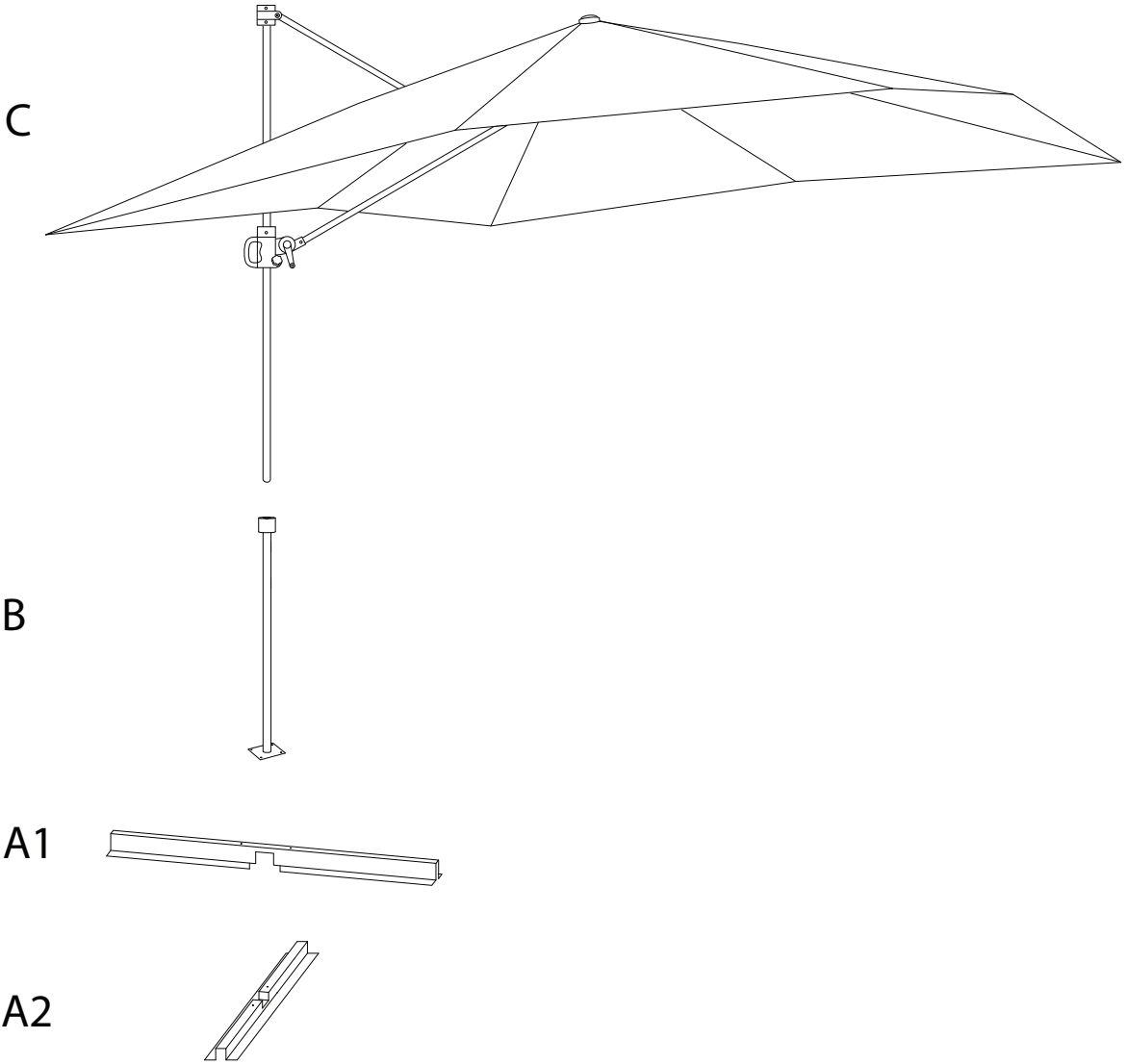


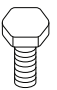
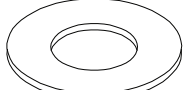
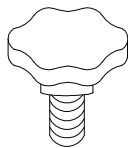
15'



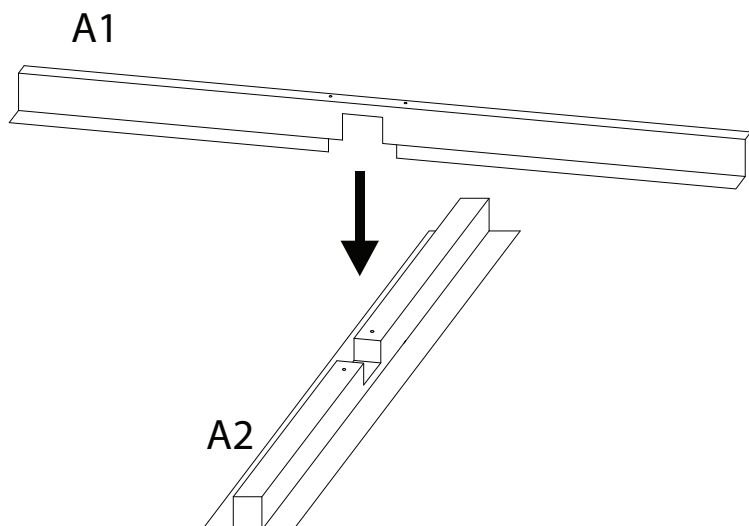
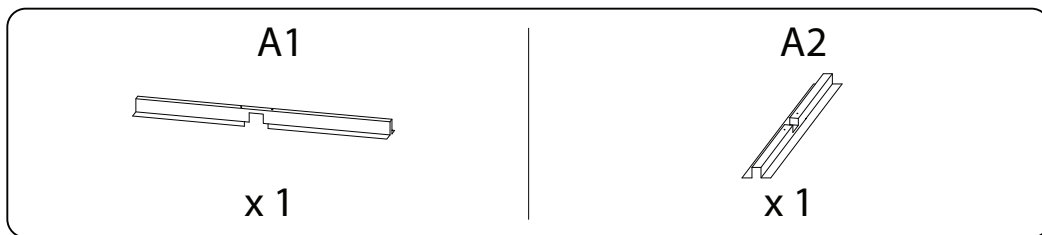
1

<p>A1</p>  <p>x 1</p>	<p>A2</p>  <p>x 1</p>	<p>B</p>  <p>x 1</p>	<p>C</p>  <p>x 1</p>
--------------------------------------------------------------------------------------------------------	--------------------------------------------------------------------------------------------------------	-------------------------------------------------------------------------------------------------------	---------------------------------------------------------------------------------------------------------

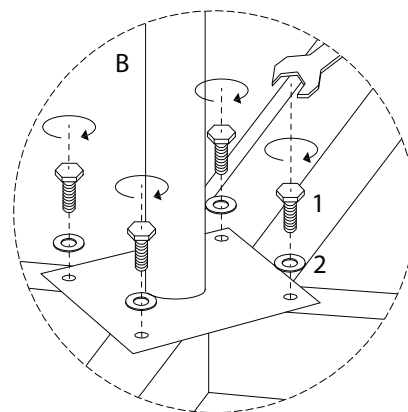
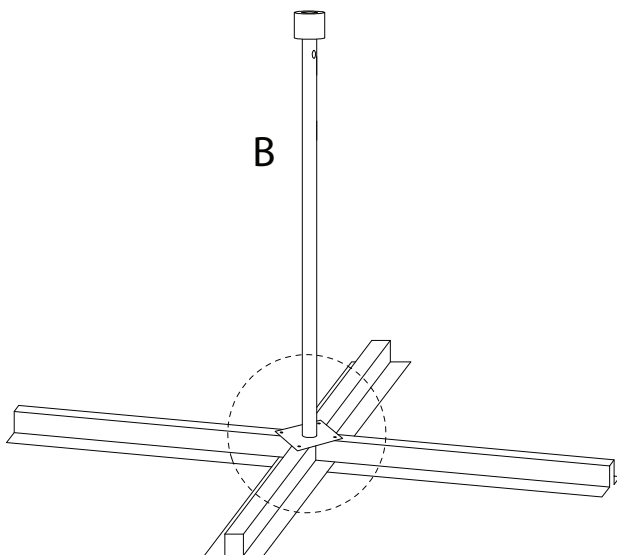
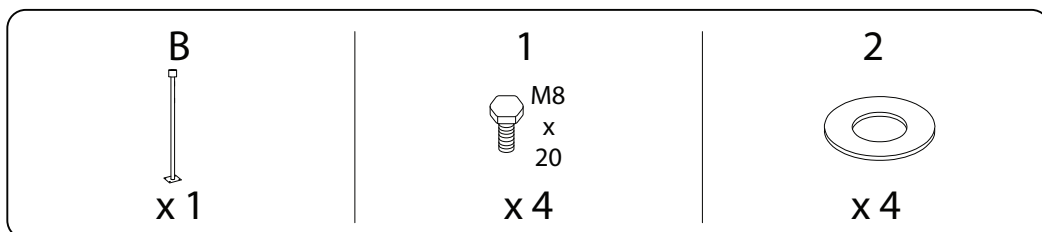


<p>1</p>  <p>M8 x 20</p> <p>x 4</p>	<p>2</p>  <p>x 4</p>	<p>3</p>  <p>x 2</p>
--------------------------------------------------------------------------------------------------------------------------------	---------------------------------------------------------------------------------------------------------	-----------------------------------------------------------------------------------------------------------

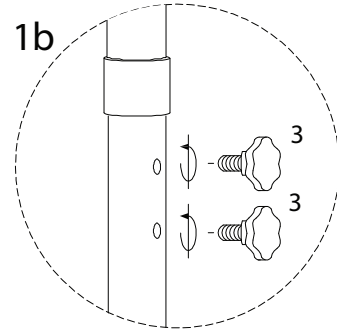
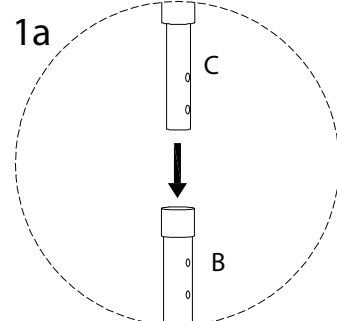
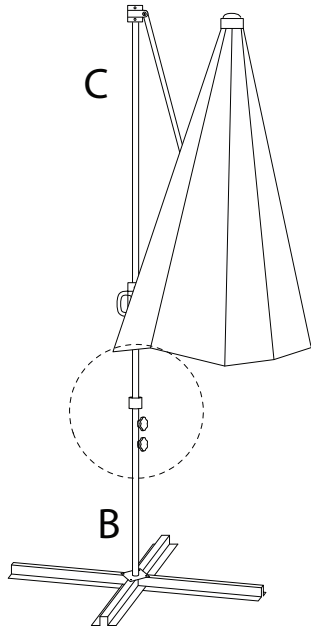
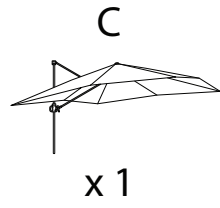
1



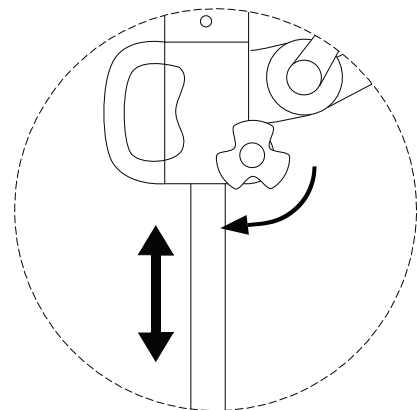
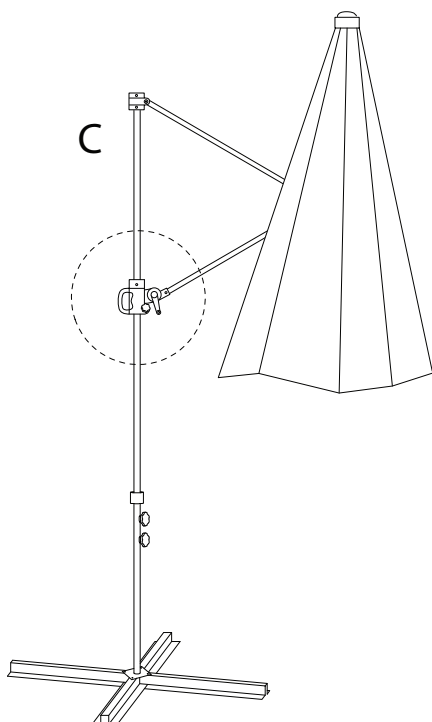
2



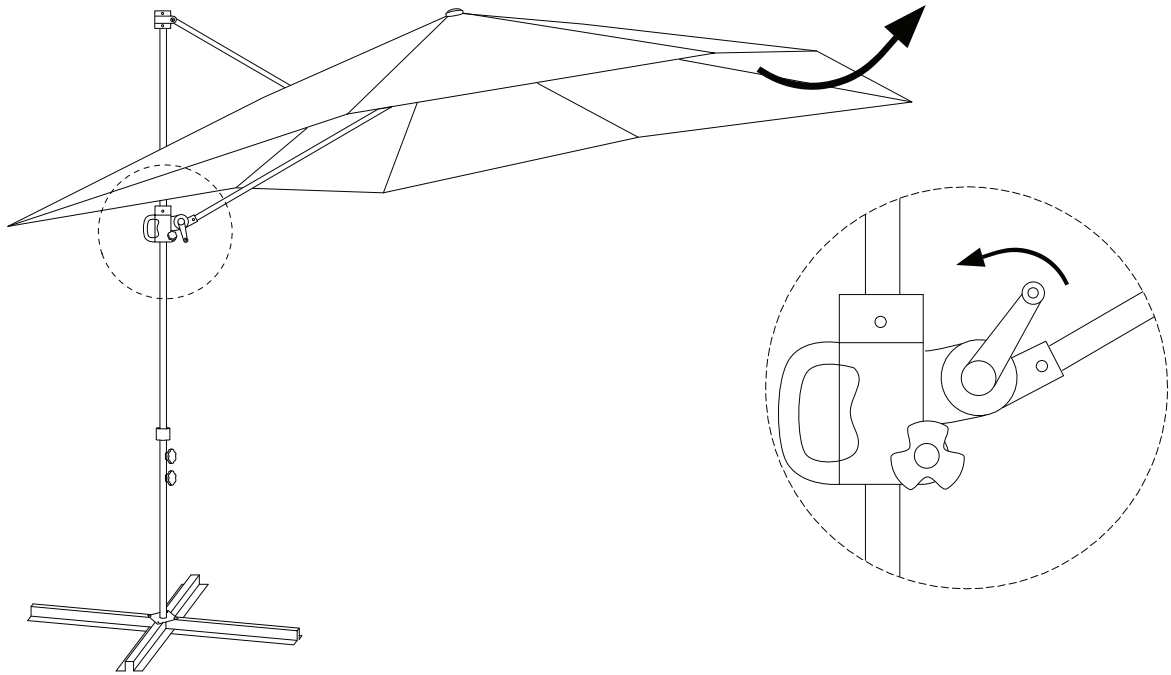
3



4



5



6

