




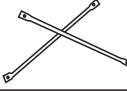

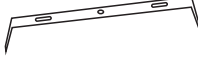

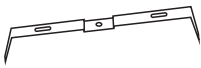




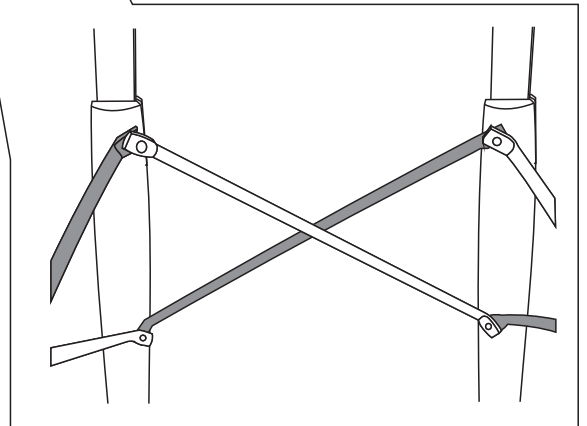
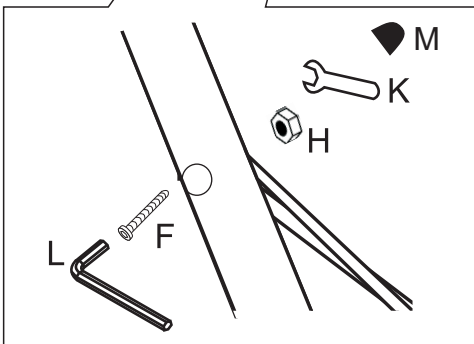
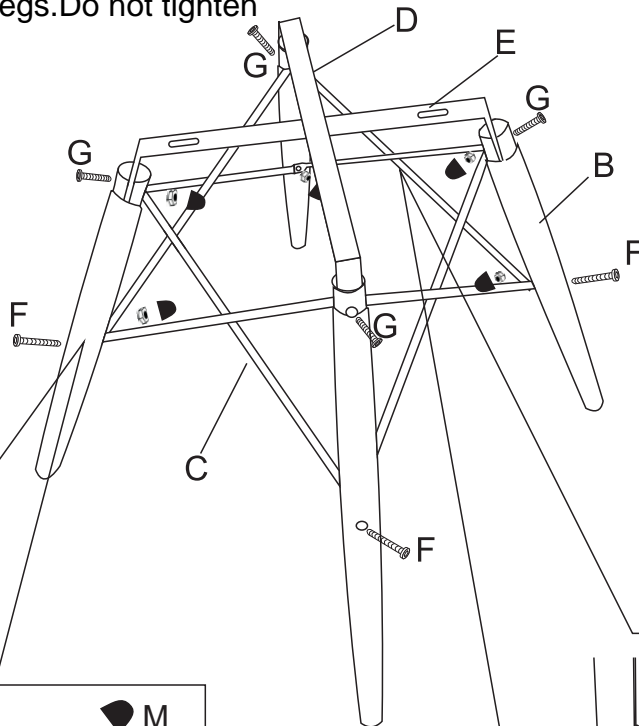
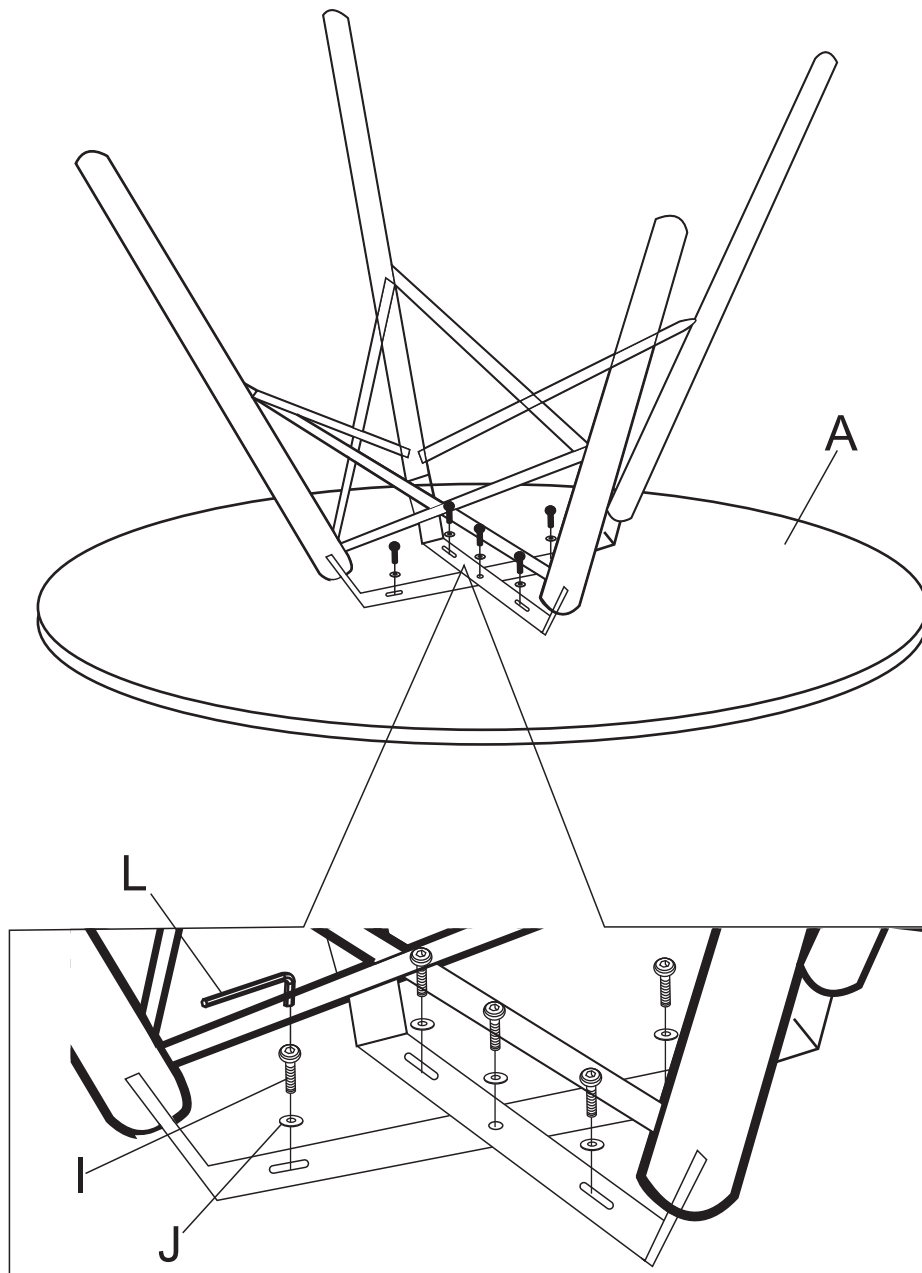


# Do not use power tools to assemble this table

		Ax1		Ix5
		Bx4		Jx5
		Cx4		Kx1
		Dx1		Lx1
		Ex1		Mx8
		Fx4		
		Gx4		
		Hx8		

1. Loosely Connect the metal brackets, crossbars, and wood legs. Do not tighten screws until step # 3





2. Connect the table top to the brackets. Hand tighten screw all 5 of the "I" screws.

3. Place the table in the upright position and hand tighten screws from step #1