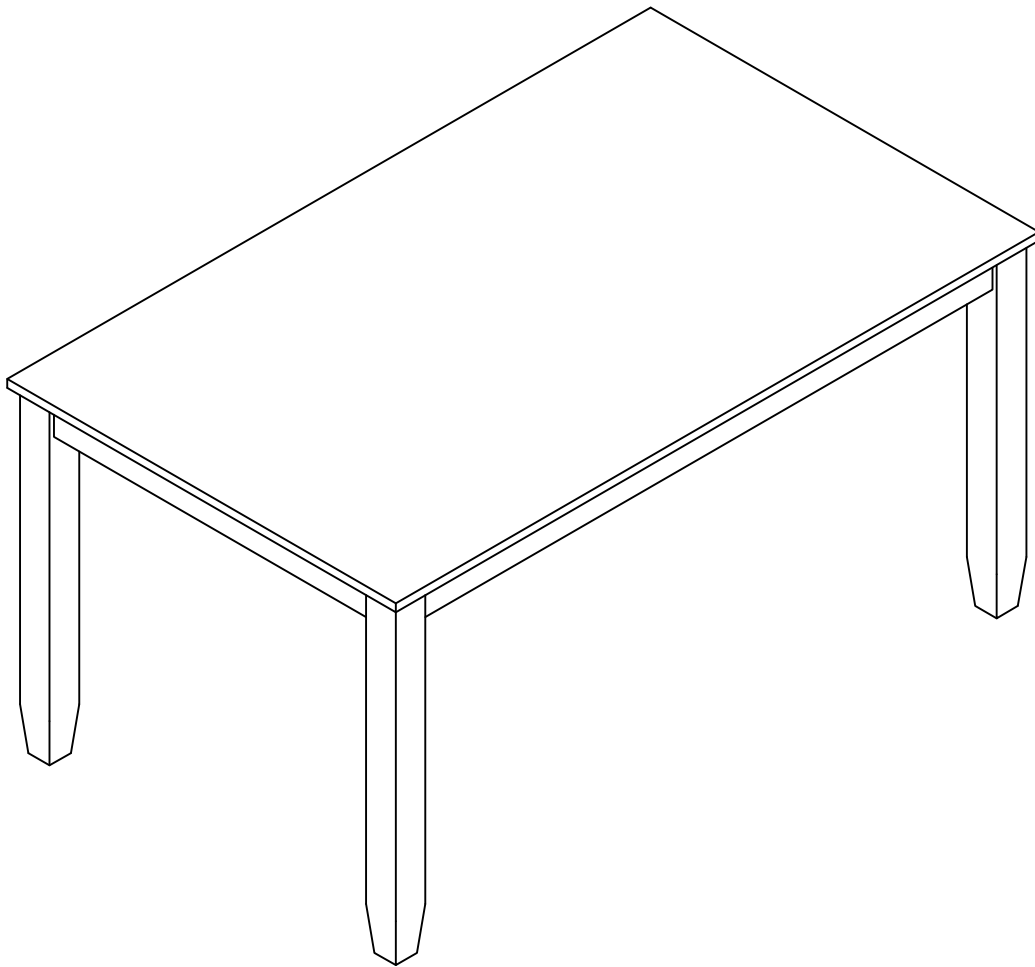


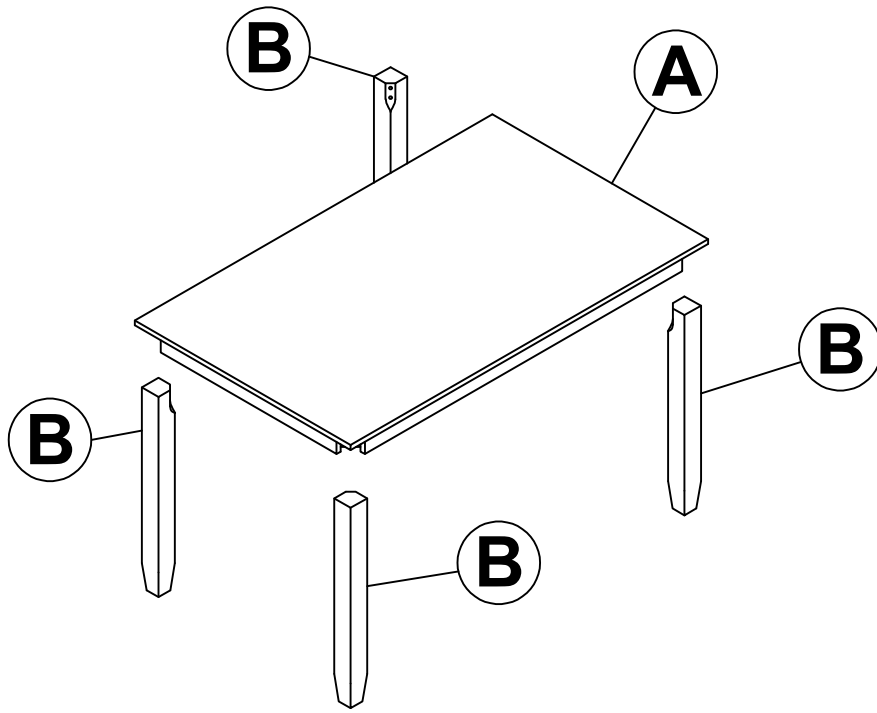
# ASSEMBLY INSTRUCTIONS

## DINING TABLE



**IMPORTANT NOTE :**

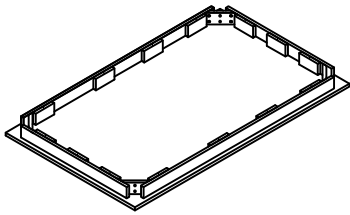
- ① PLACE ALL PARTS ON A CLEAN AND SMOOTH SURFACE SUCH AS A RUG OR CARPET TO AVOID THE PARTS FROM BEING SCRATCHED.
- ② BEFORE YOU BEGIN , KINDLY FOLLOW THE ASSEMBLY INSTRUCTIONS STEP BY STEP.
- ③ DO NOT TIGHTEN ALL SCREWS AND BOLTS UNTIL THE BENCH IS FULLY SET-UP



## Part List

## Hardware List

**A**



TOP TABLE (1pc)

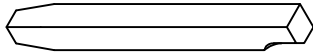
**1**



Ø5/16" x 70mm

BOLT (8pcs)

**B**



LEGS TABLE (4pcs)

**2**



Ø5/16" x 13mm

SPRING WASHER (8pcs)

**3**



Ø5/16" x 19mm

FLAT WASHER (8pcs)

**4**



4mm

ALLENKEY (1pc)

