

Instruction Manual

Please save this manual for future reference.

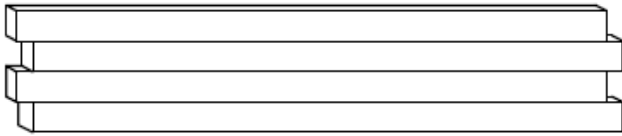
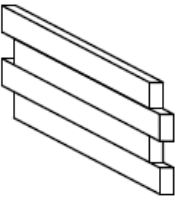

Product Name:	Wood 3.8ft x 2ft Raised Garden Bed
----------------------	------------------------------------

Thank you for purchasing this product. This product has been manufactured with the highest standards of safety and quality.

PLEASE READ ALL INSTRUCTIONS BEFORE ASSEMBLY.

Unpack all parts from Styrofoam and bubble wrap inside the carton to ensure there are no missing or damaged parts. If any parts are missing or damaged, do not attempt to assemble or use the product.

CARTON CONTENTS:

Parts	Image	Quantity
A		2
B		2
C		4

Tools required for assembly: Hammer

Prior to assembly, select a location with a flat surface.

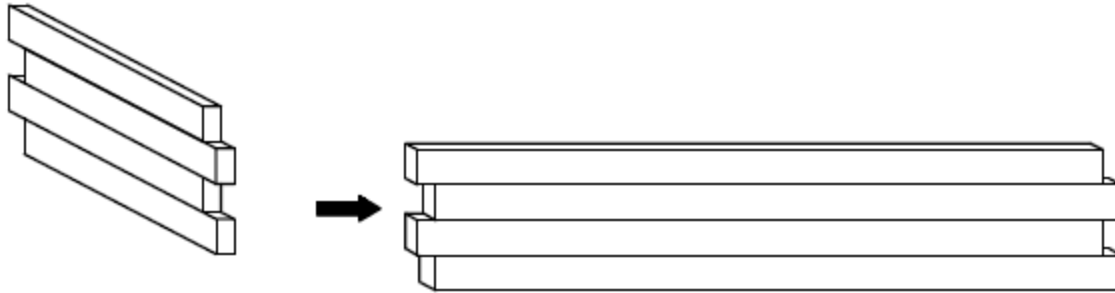
Instruction Manual

Please save this manual for future reference.

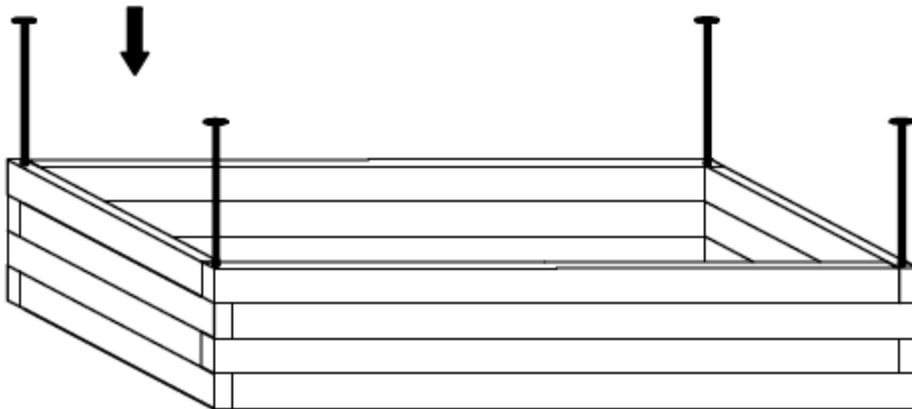
Product Name:	Wood 3.8ft x 2ft Raised Garden Bed
----------------------	------------------------------------

Assembly Instructions:

Step 1 Align (A) to (B) to make all corners interlock.



Step 2 Hammer (C) nails to all corners.



Final

