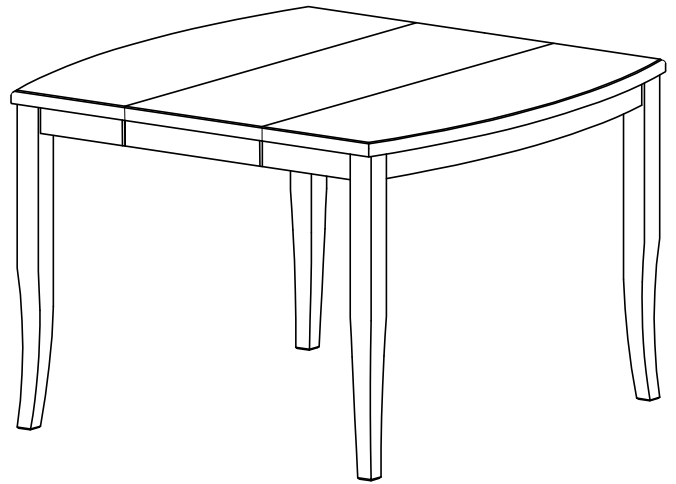
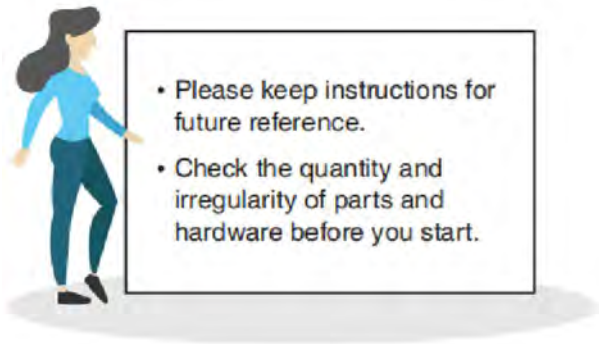


TABLE



PARTS

#1 1pc

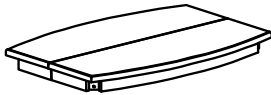
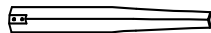


Table Top

#2 4pcs



Legs

#3 1pc



Leaf

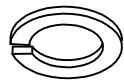
HARDWARE

#A 8pcs



Bolt $\text{Ø}5/16'' \times 2-3/8''$

#B 8pcs



Lock Washer $\text{Ø}5/16''$

#C 8pcs

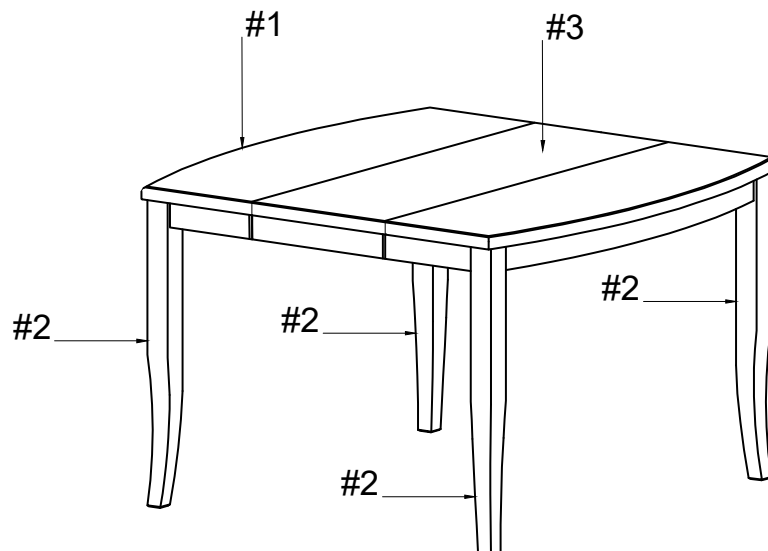


Flat Washer $\text{Ø}5/16''$

#D 1pc



Allen Wrench 4mm



ASSEMBLY INSTRUCTIONS

1

Part #1 x1pc

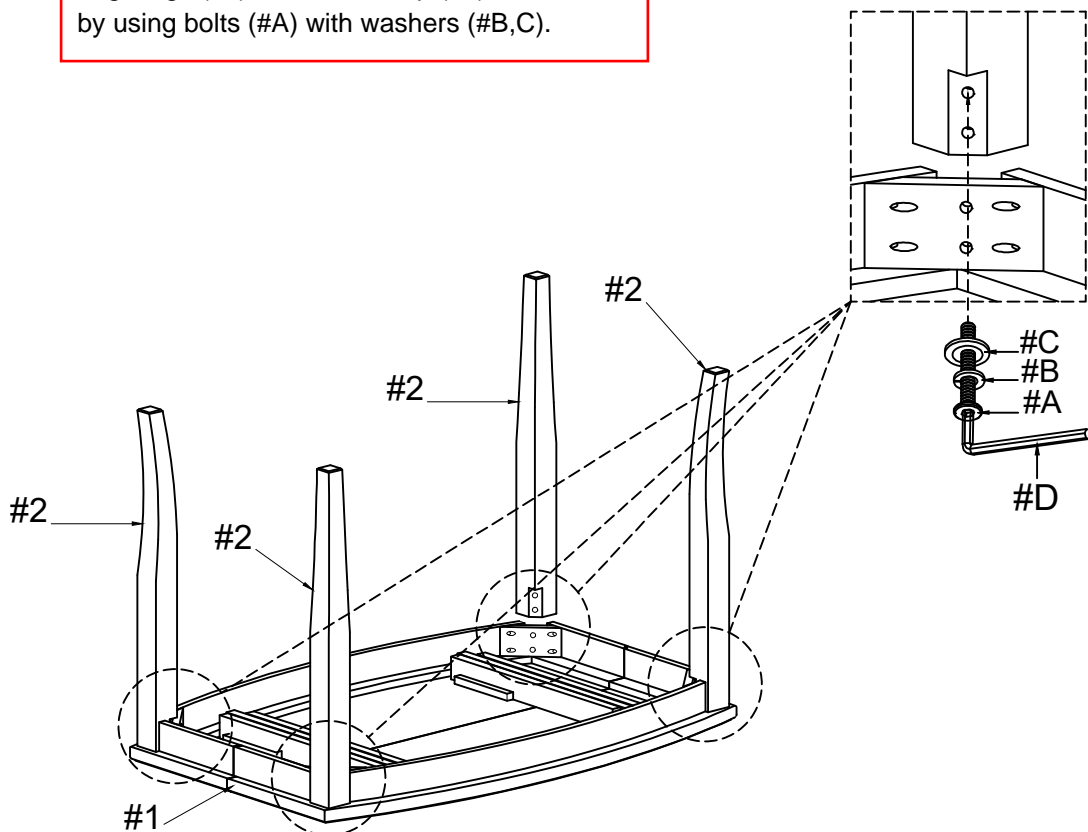
Part #2 x4pcs

Hardware #A x8pcs

Hardware #B x8pcs

Hardware #C x8pcs

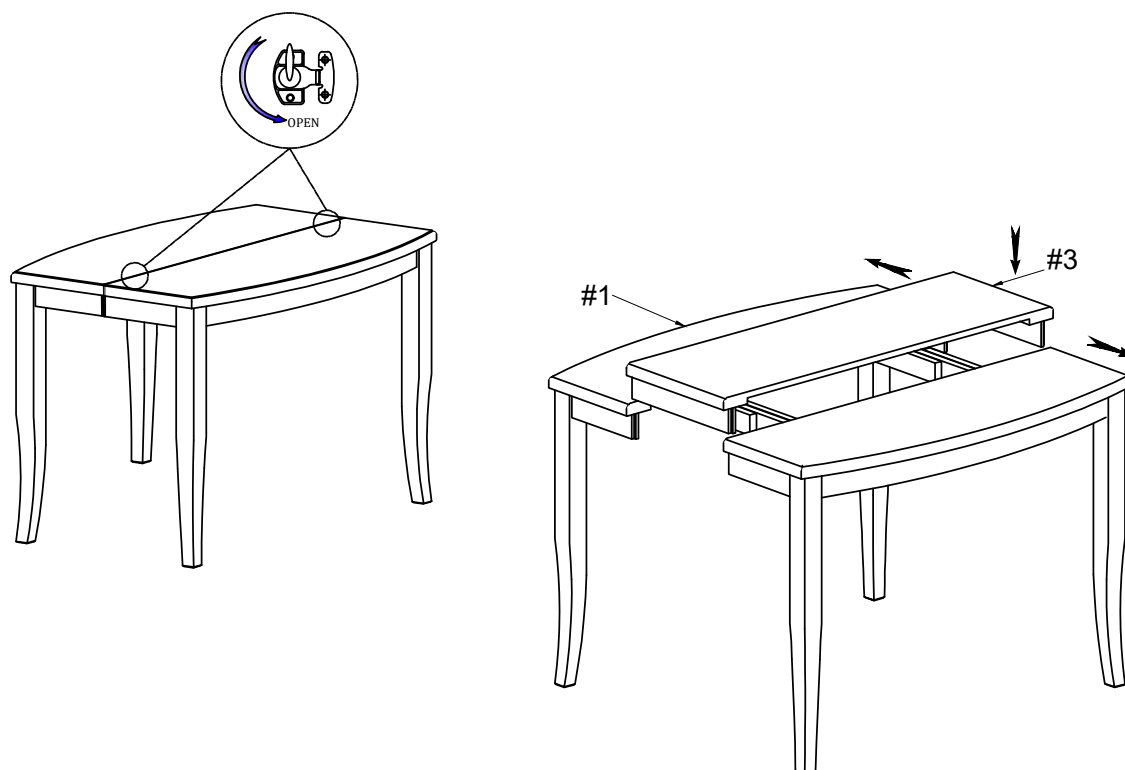
Align legs (#2) to the table top (#1), then secure by using bolts (#A) with washers (#B,C).



2

Part #3 x1pc

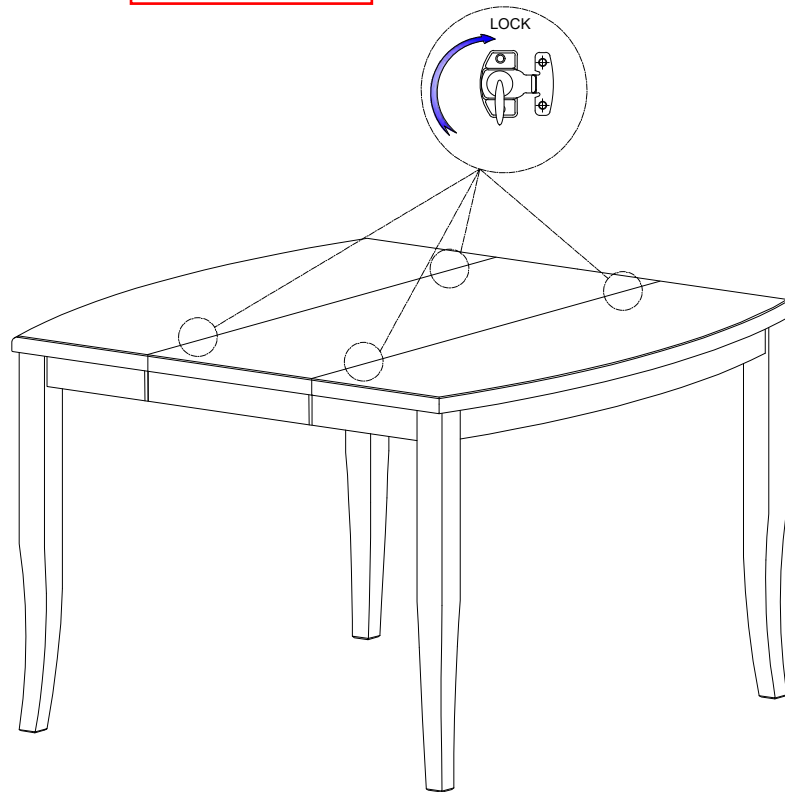
Turn lever underneath the table to open, then extend the table to fit the table leaf (#3).



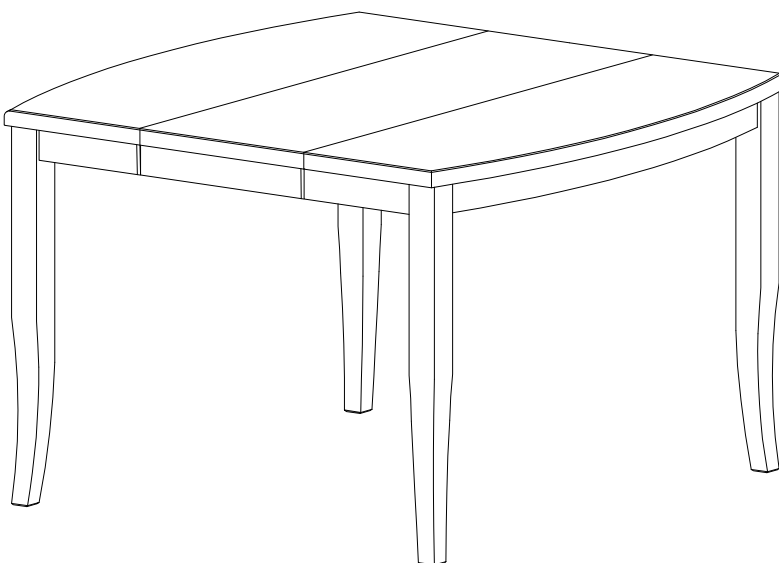
ASSEMBLY INSTRUCTIONS

3

Turn lever to lock.



4



ASSEMBLY COMPLETED



Please ensure the furniture rests on an even and flat surface. If the product wobbles or feels loose, double-check all bolts and/or screws are properly tightened and secured.



Keep this handy!

Please retain this instruction manual and any order-related information for future reference.



Lift, don't drag!

To avoid damage to product please always LIFT the product when transporting or adjusting the placement.