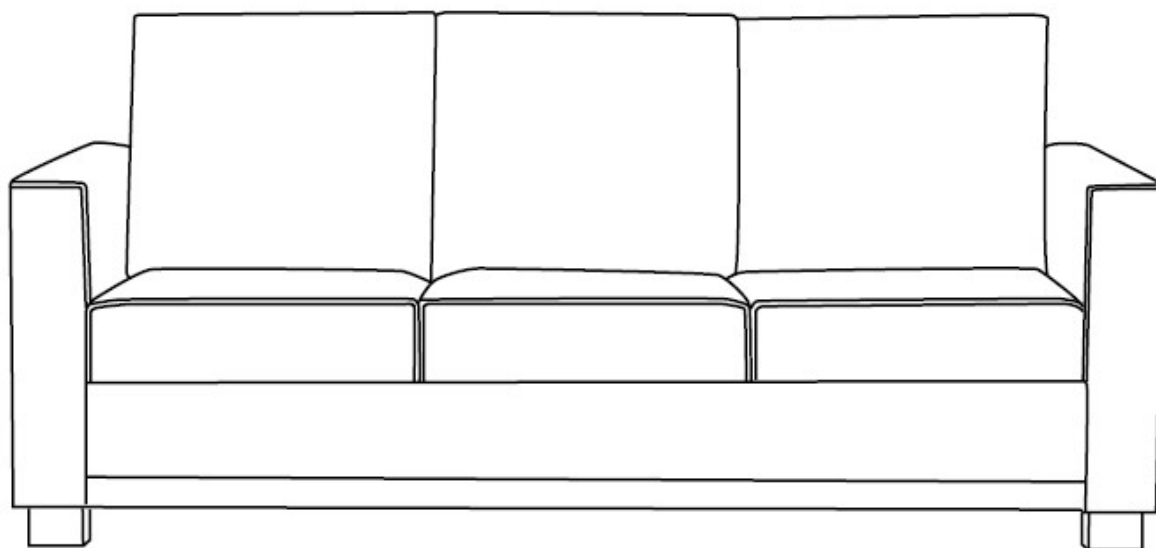


# Assembly Instructions

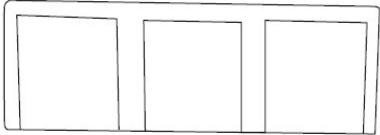
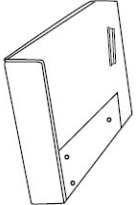
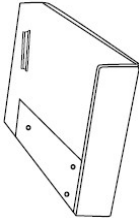


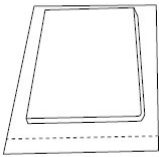
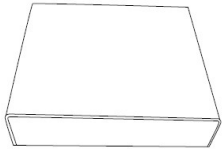


**Caution: You must read this before you proceed**

**Please look in the velcro pouch for hardware packs and legs**

## SOFA



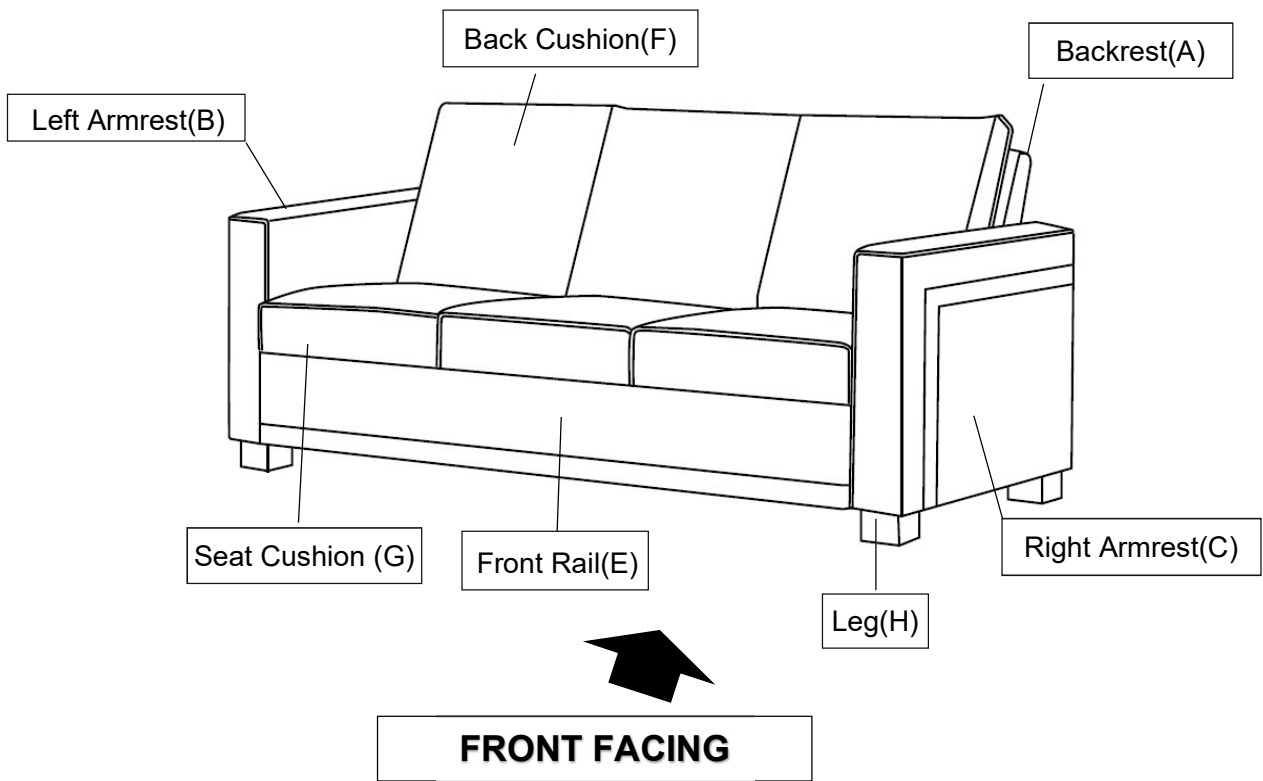
## Part List

Label	Picture	Description	QTY
A		Backrest	1
B		Left Armrest	1
C		Right Armrest	1
D		Seat	1
E		Front Rail	1
F		Back Cushion ( package)	3
G		Seat Cushion	3
H		Leg	4
I		Middle Leg	1



# Assembly Steps

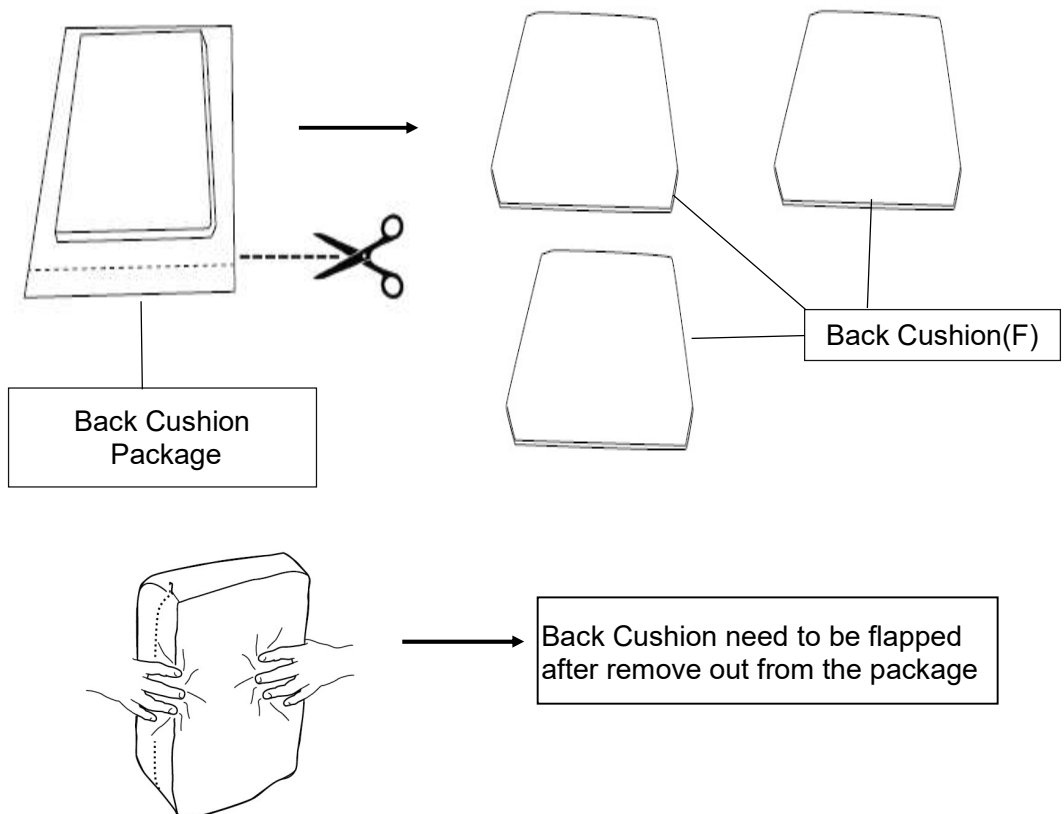
## OVERVIEW



This Sofa has multiple parts and may require up to 60 minutes to assemble. To give you an overview of the Sofa parts, the above picture is to help you put the various parts into perspective. Please read through the instructions below to familiarise yourself with the parts and steps before assembly.

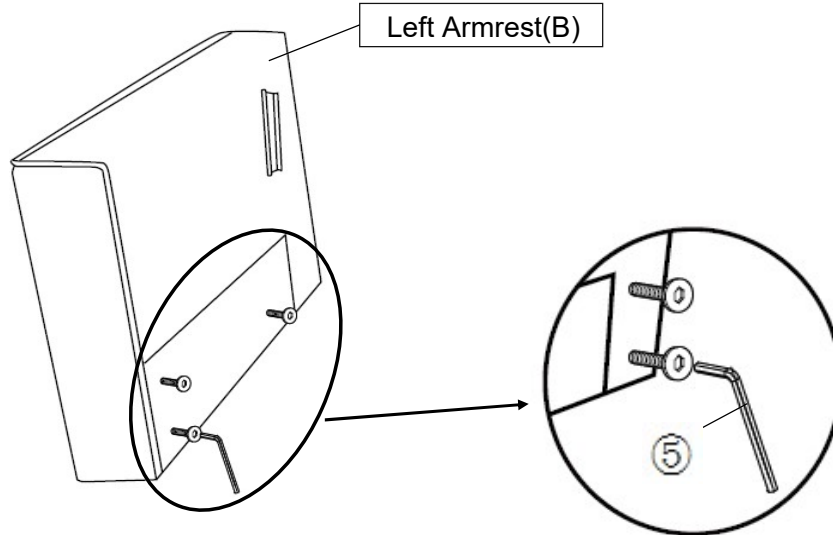
**Note: It is recommended that you have an adult partner to assist during the entire assembly process.**

### Step 1



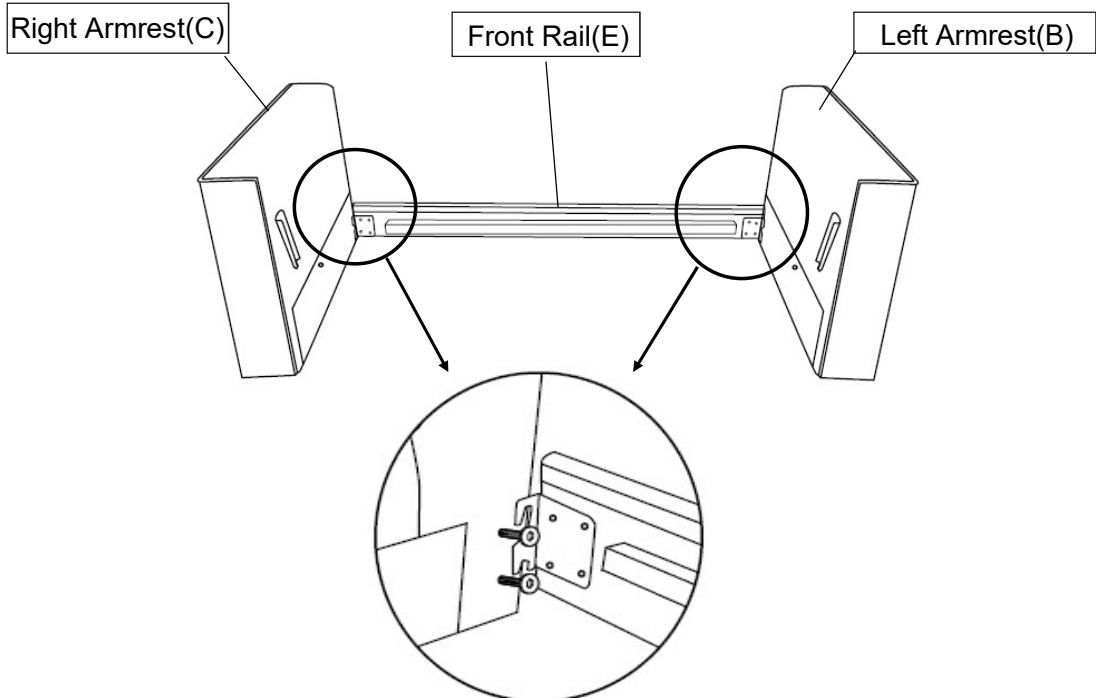
Open the carton and place all parts on a clean non-marring surface.  
Open the Back Cushion(F) Package as shown.  
Remove three Back Cushion(F) from the package as shown above.

### Step 2



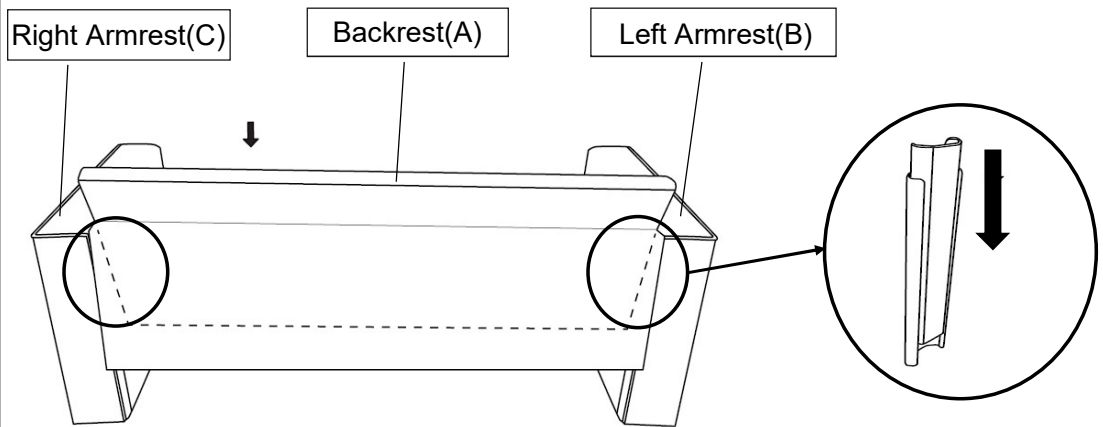
Loosen the 3 bolts in Left Armrest(B) around half inch by Allen Key(5).  
Repeat the same step to loosen 3 bolts in Right Armrest(C).

### Step 3



With the assistance of adult your partner, slide the hook in the end of Front Rail(E) into the bolts on the Left Armrest(B) and Right Armrest(C), as shown in picture.

## Step 4



Slide the Tapered Connectors on the Backrest(A) into the Tapered Connectors on the Left Armrest(B) as shown in the picture.

Repeat the same process with the Right Armrest(C).

**Note: Make sure the Tapered Connectors on Backrest(A) lock into the Tapered Connectors on the Left Armrest(B) and Right Armrest(C).**

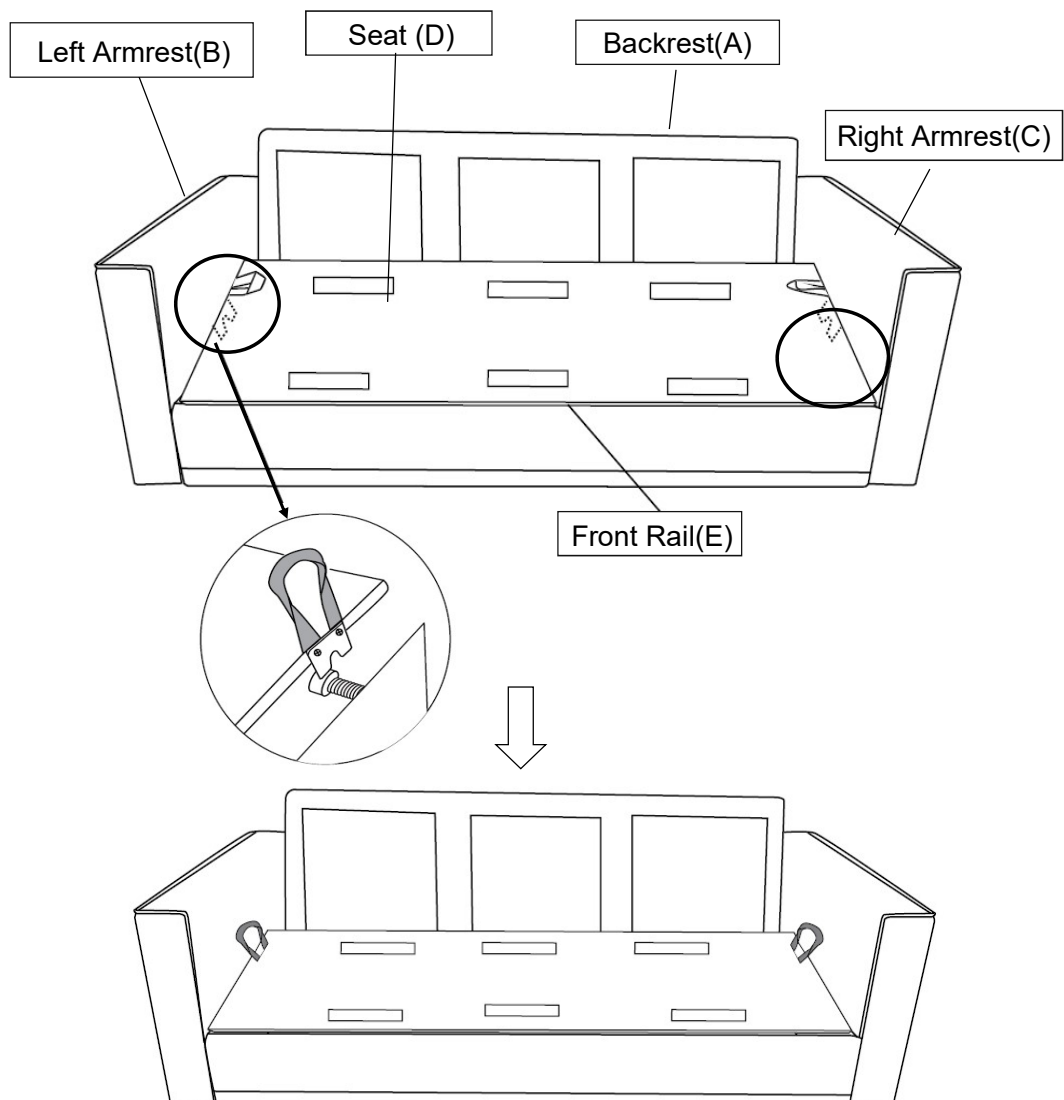
**Keep the Backrest(A) and the back of the Left Armrest(B), Right Armrest(C) flat.**

**Assistance from an adult partner is necessary for this assembly process.**

**During this assembly process - do exercise caution. You may need to use your hand to press down and or pave away the padded surface to facilitate the 'slip and slide' assembly.**

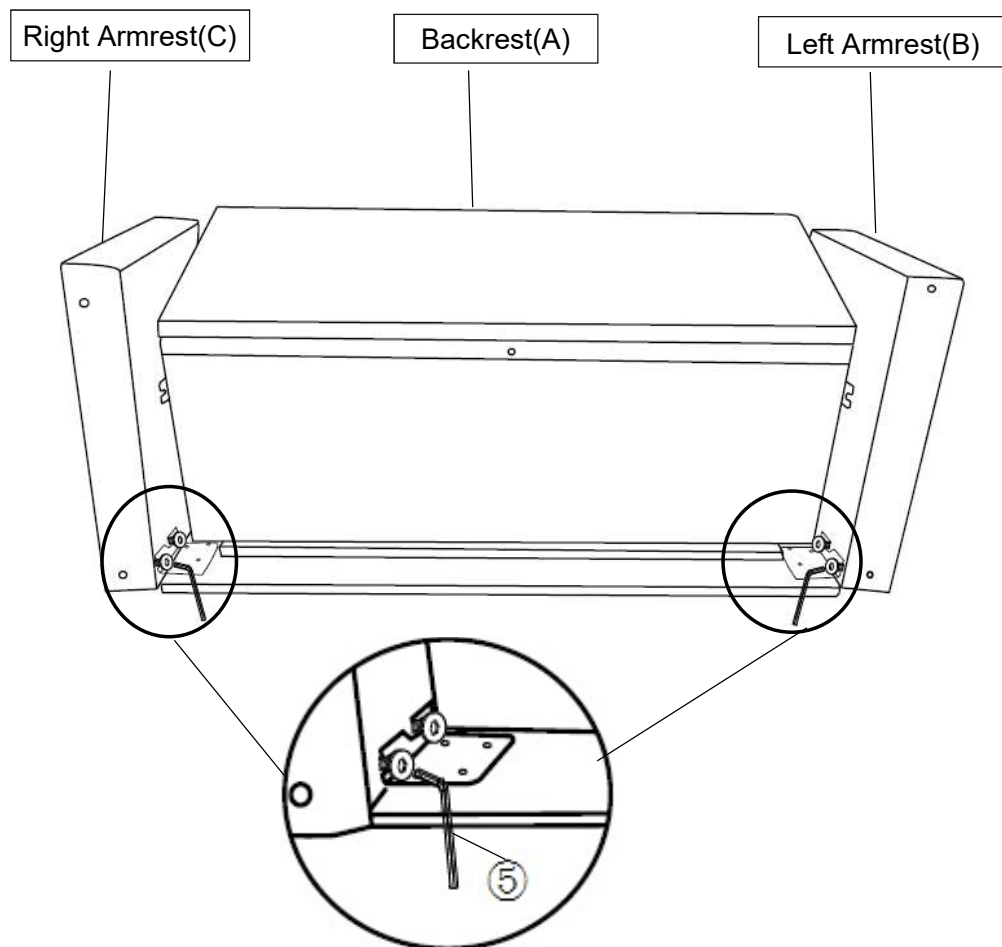
**Caution: Ensure that your fingers do not get caught or pinched in the assembly process.**

## Step 5



With the assistance of your adult partner, lift the rope on the two sides of Seat(D) by hand. Put the Seat(D) on the wood bar of the Front Rail(E) and then slowly place it down as shown above.  
**Note: All the u-shaped iron sheet need clamped to the bolt.**

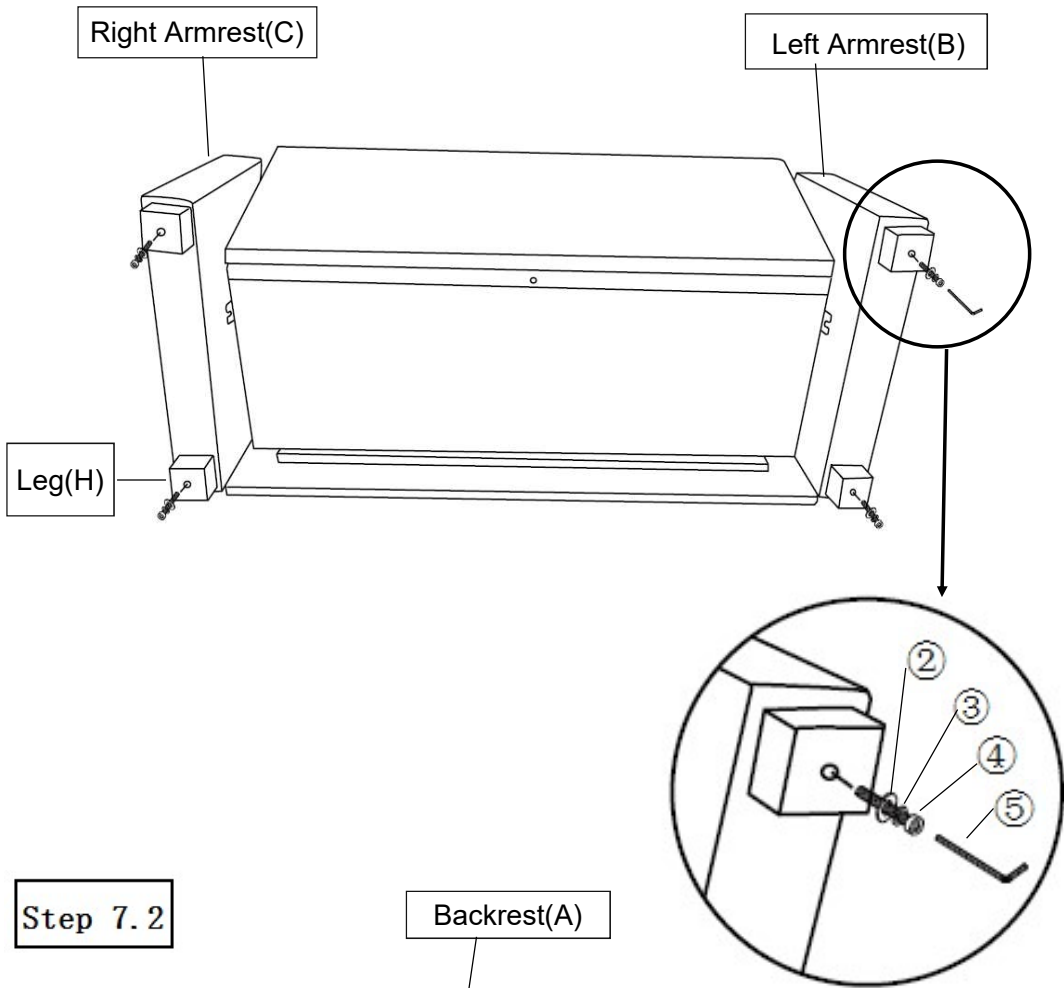
### Step 6



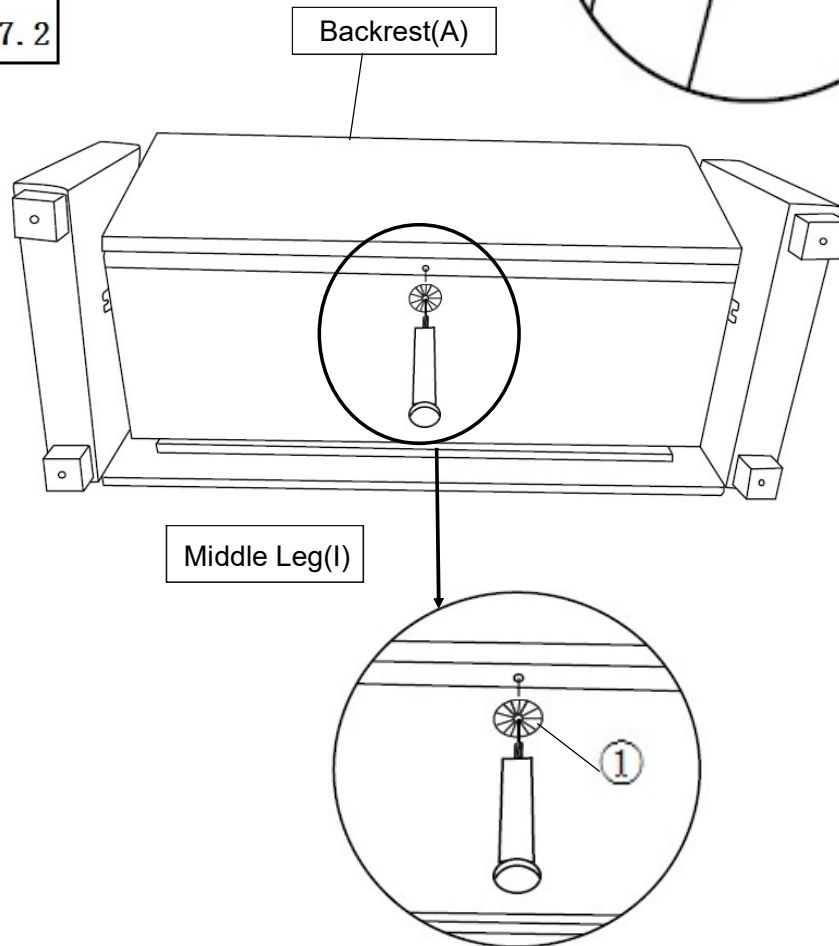
Tilt and lay the Sofa onto a flat surface.  
Tighten the Bolts in the bottom of Left Armrest(B) and Right Armrest(C) by Allen Key(⑤) as pictured above.  
Tighten the Bolts fully in a sequential manner.

Step 7

Step 7.1



Step 7.2



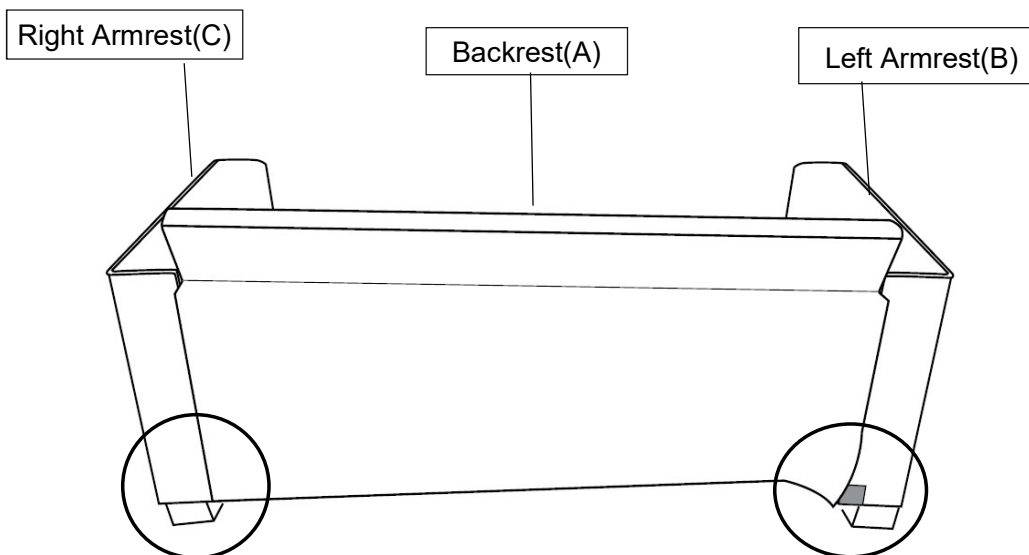
Step7.1 Attach the Leg(H) to the Left Armrest(B).using Bolt(④),Spring Washing(③),Flat Wash(②),with Allen Key(⑤) turning clockwise until tight.

Repeat the same step to install the remaining Leg(H).

Step7.2 Attaching the Middle Leg(I) to Backrest(A) by using Plastic Washer(①) turning clockwise until tight.

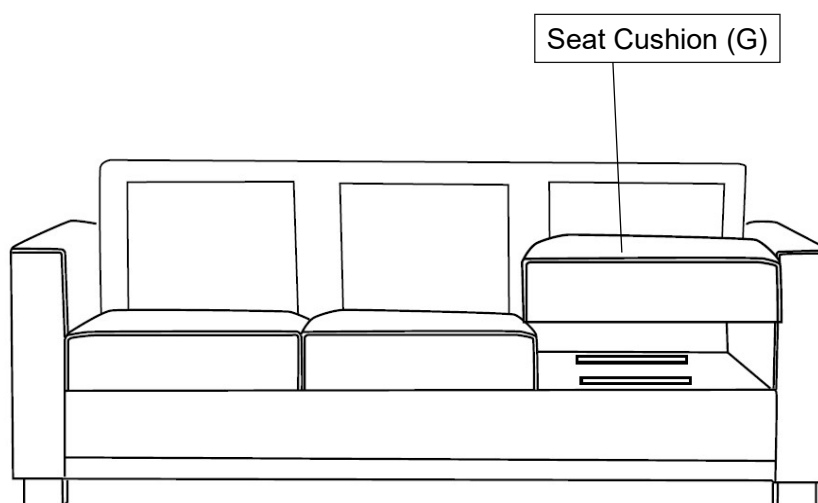
**Note: The use of Plastic Washer(①) are OPTIONAL and are especially useful to help alleviate slight wobbleness. Some Legs may need more than one Plastic Washer(①) whilst some Legs may not need any.**

### Step 8



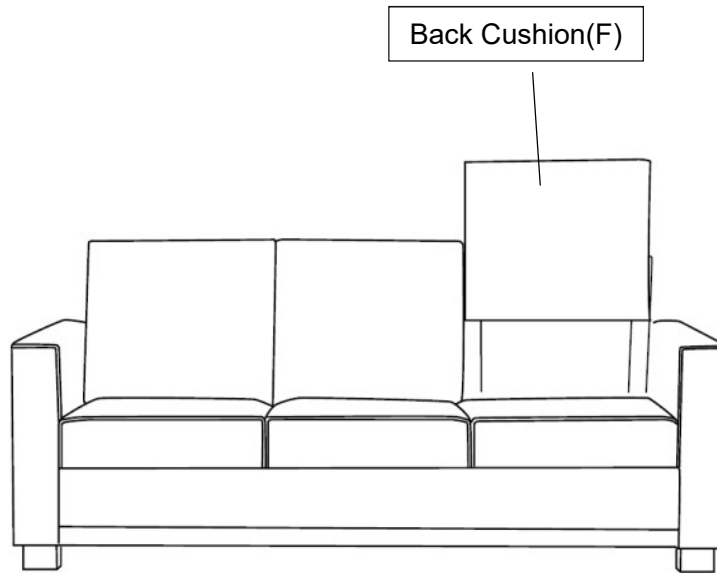
Stick the cover of Backrest(A) on the Magic tape of Left Armrest(B) and Right Armrest(C).

### Step 9



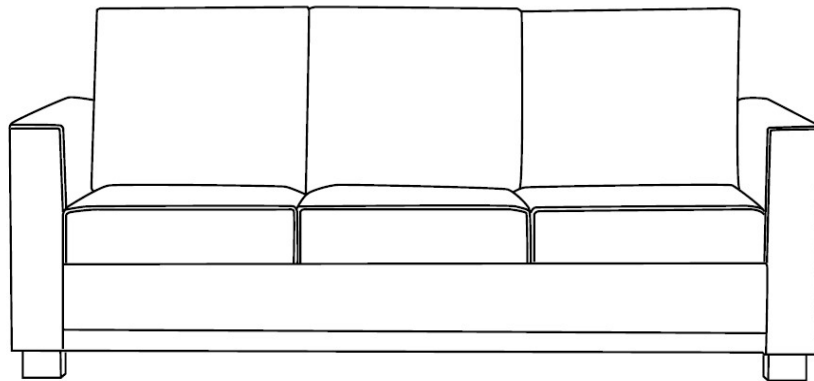
Put the Seat Cushion (G) on the sofa as shown above.

Step 10



Put the Back Cushion(F) on the sofa.

Step 11



Your Sofa is ready for use.  
This Sofa can only be used on a flat, level surface.

## Care & Maintenance



- Furniture may scratch floors. We recommend using furniture pads to protect your floors.



- Do not put hot items directly on furniture surface.



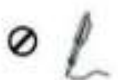
- Do not clean furniture with harsh cleansers or polish.



- Do not place furniture under direct sunlight.



- Do not place furniture near heating or cooling vents.



- Do not write on furniture without a padded barrier to protect the surface.



- Do not place furniture outside . For indoor use only.



- Not for commercial use. For residential use only.



- Stains may be removed with mild soap solution and damp cloth.



- Children should not climb or jump on the furniture.



- Dust and pick-up spills using a clean, non-colored, lint-free cloth.