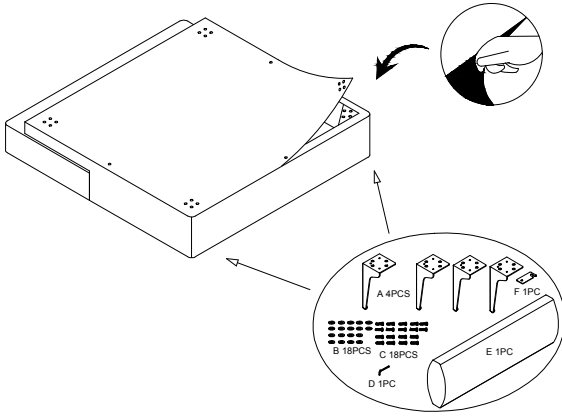
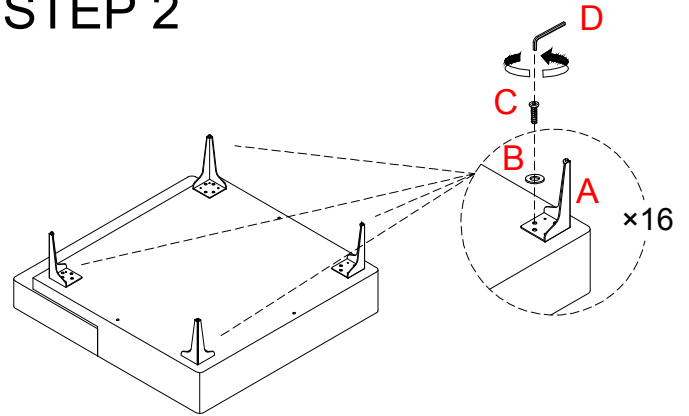


ASSEMBLY INSTRUCTION

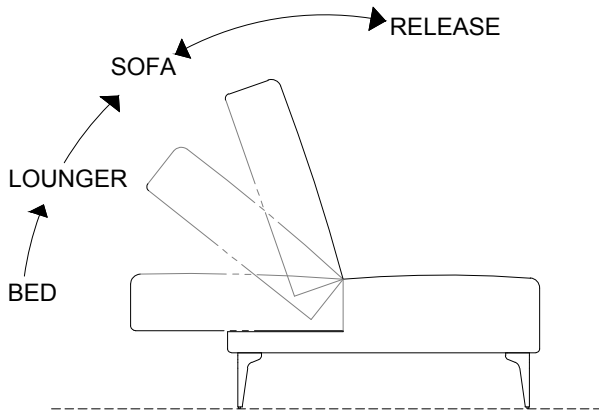
STEP 1



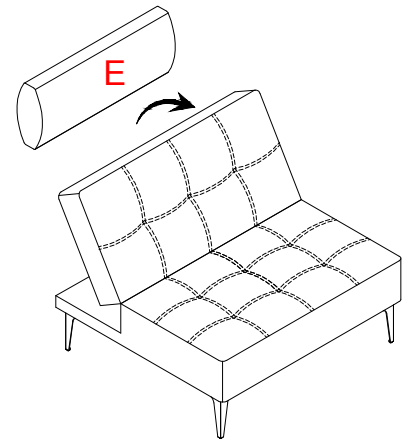
STEP 2



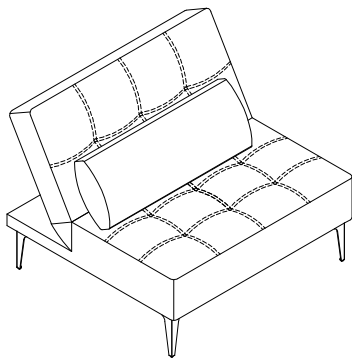
STEP 3



STEP 4

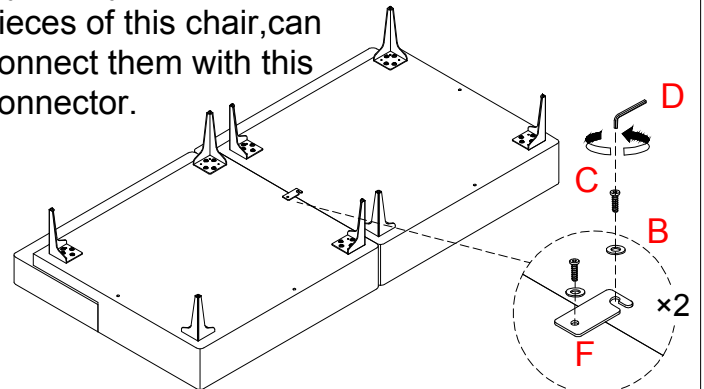


STEP 5

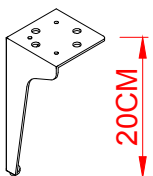


STEP 6

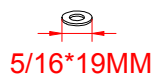
If you buy two or more pieces of this chair, can connect them with this connector.



A:4 PCS



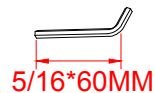
B:18PCS



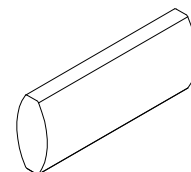
C:18 PCS



D:1 PC



E:1 PC



F:1 PC

