

ASSEMBLY INSTRUCTIONS

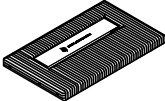

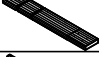




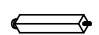
DESCRIPTION: KING BED

Thank you for purchasing this quality product.
Please read instructions carefully prior to assembly
Check carefully for small parts which may have come loose during transportation inside all the boxes.
Remove from boxes and place all parts and components on soft surface such as carpet, blanket or furniture pad.
Identify and verify all parts and hardware as specified below.









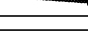
Assembly Tips :

- * Do not tighten screws and bolts until final steps of the assembly
- * This assembly may require additional help (2 person set up)

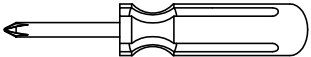
PARTS LIST:

NO.	DESCRIPTION	OUTLOOK	QT.
A	Headboard		1PC
B	Headboard Leg (Right)		1PC
C	Headboard Leg (Left)		1PC
D	Footboard		1PC
E	Side Rail (Right)		1PC
F	Side Rail (Left)		1PC
G	Slats		4PCS
H	Support leg		8PCS

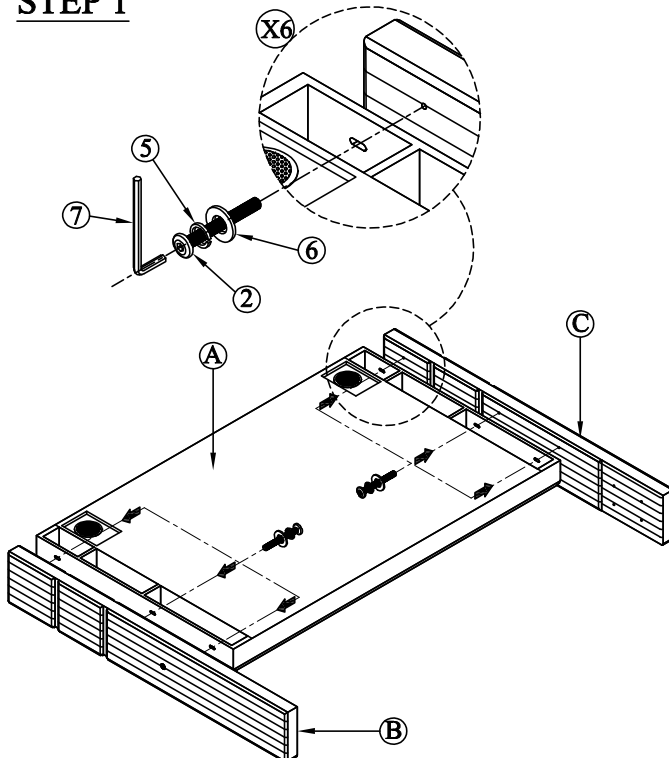
HARDWARE LIST:

NO.	DESCRIPTION	OUTLOOK	SIZE	QT.
1	Bolt		Ø5/16"x70mm	8 PCS
2	Bolt		Ø5/16"x60mm	6 PCS
3	Thread bolt		Ø5/16"x90mm	4 PCS
4	Hex nut		Ø5/16"	4PCS
5	Spring washer		Ø5/16"	18PCS
6	Flat washer		Ø5/16"	18PCS
7	Allen key		4mm	1PC
8	Wrench		Ø12mm	1PC
9	Screw		Ø4*30mm	8PCS

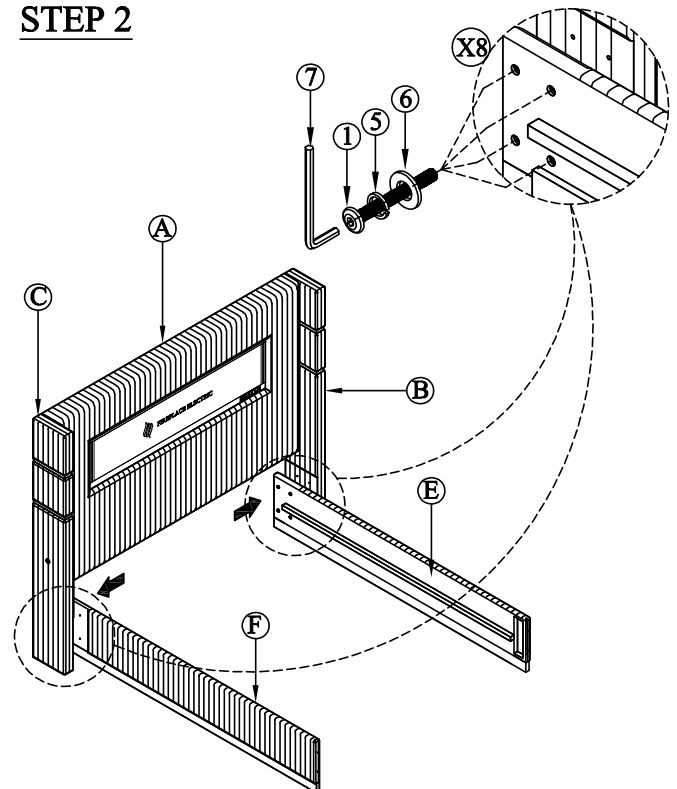
TOOLS REQUIRED (NOT PROVIDED)

DESCRIPTION	OUTLOOK
Phillips Screwdriver	

STEP 1



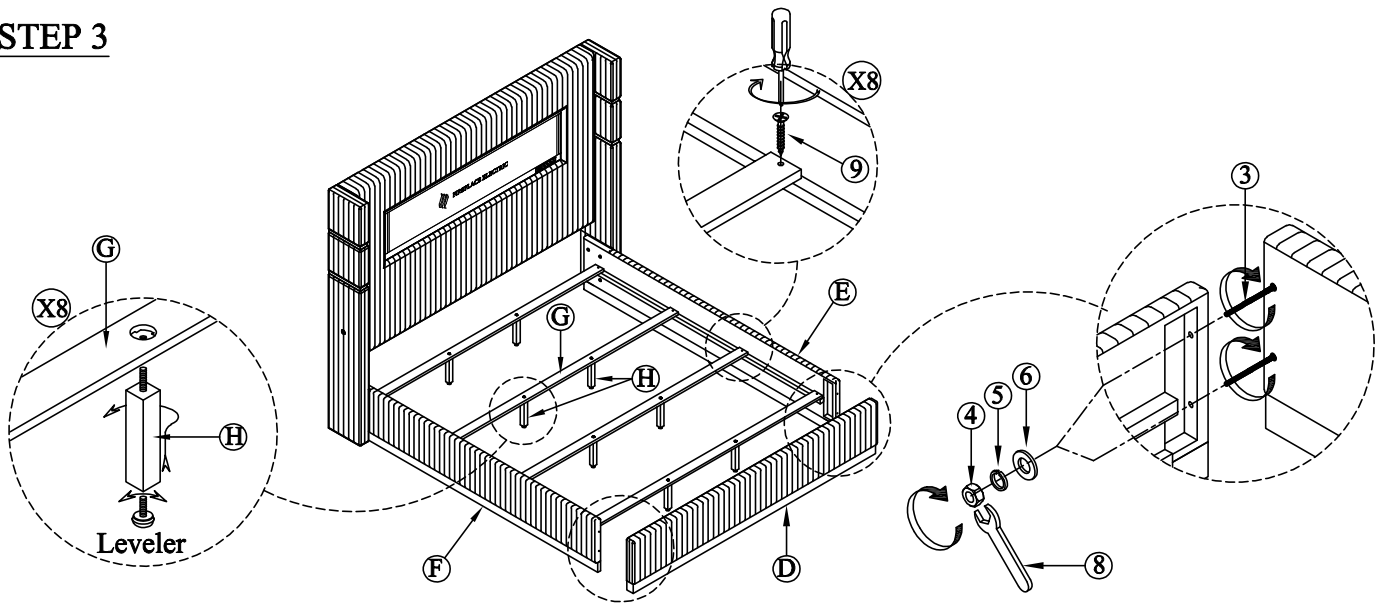
STEP 2



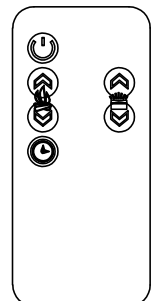
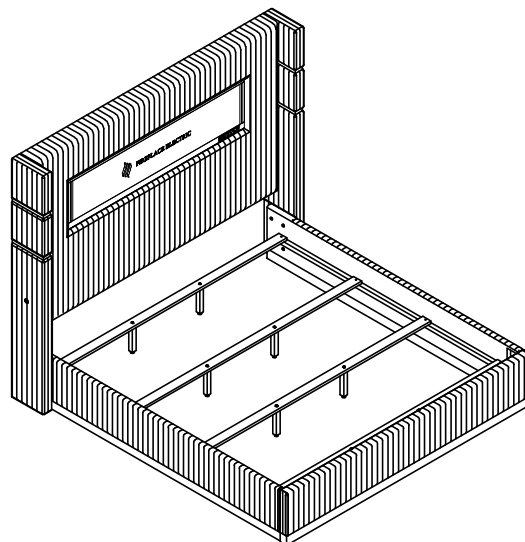
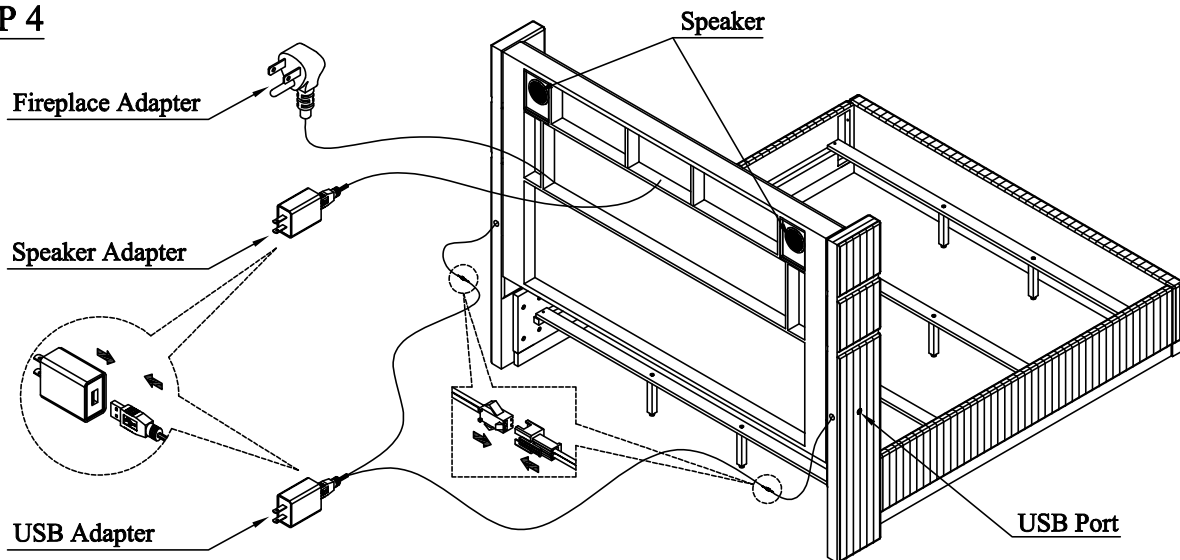
ASSEMBLY INSTRUCTIONS

DESCRIPTION: KING BED

STEP 3



STEP 4



Fireplace Remote control
(1pc)

COMPLETED

ASSEMBLY INSTRUCTIONS

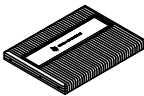



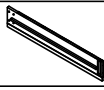
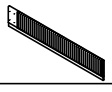

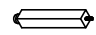
DESCRIPTION: QUEEN BED

Thank you for purchasing this quality product.
 Please read instructions carefully prior to assembly
 Check carefully for small parts which may have come loose during transportation inside all the boxes.
 Remove from boxes and place all parts and components on soft surface such as carpet, blanket or furniture pad.
 Identify and verify all parts and hardware as specified below.









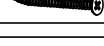
Assembly Tips :

- * Do not tighten screws and bolts until final steps of the assembly
- * This assembly may require additional help (2 person set up)


PARTS LIST:

NO.	DESCRIPTION	OUTLOOK	QT.
A	Headboard		1PC
B	Headboard Leg (Right)		1PC
C	Headboard Leg (Left)		1PC
D	Footboard		1PC
E	Side Rail (Right)		1PC
F	Side Rail (Left)		1PC
G	Slats		4PCS
H	Support leg		4PCS

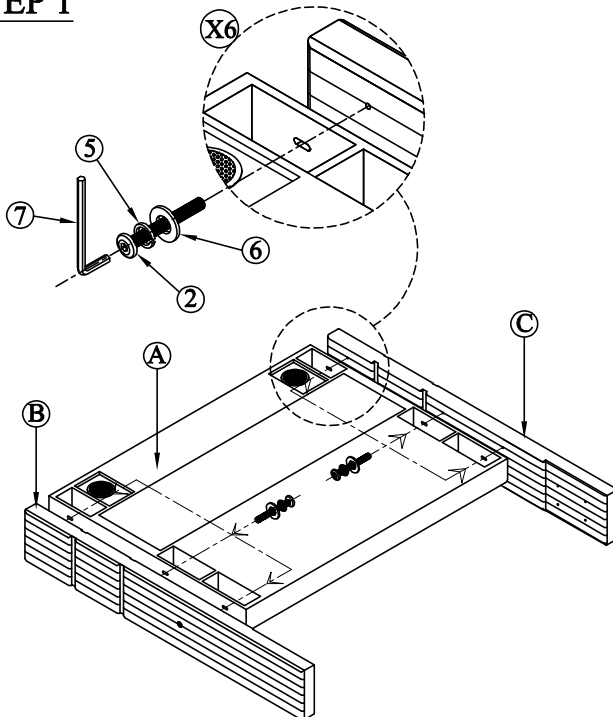
HARDWARE LIST:

NO.	DESCRIPTION	OUTLOOK	SIZE	QT.
1	Bolt		Ø5/16"x70mm	8 PCS
2	Bolt		Ø5/16"x60mm	6 PCS
3	Thread bolt		Ø5/16"x90mm	4 PCS
4	Hex nut		Ø5/16"	4PCS
5	Spring washer		Ø5/16"	18PCS
6	Flat washer		Ø5/16"	18PCS
7	Allen key		4mm	1PC
8	Wrench		Ø12mm	1PC
9	Screw		Ø4*30mm	8PCS

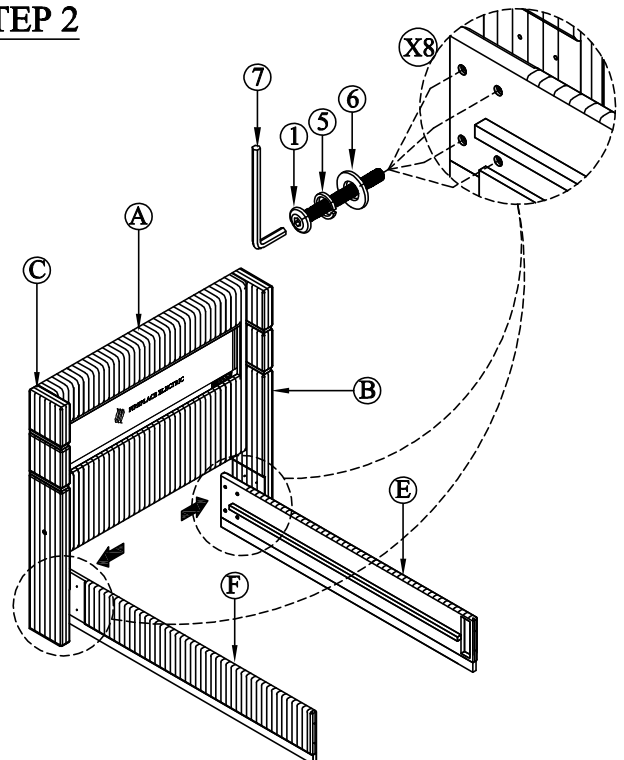
TOOLS REQUIRED (NOT PROVIDED)

DESCRIPTION	OUTLOOK
Phillips Screwdriver	

STEP 1



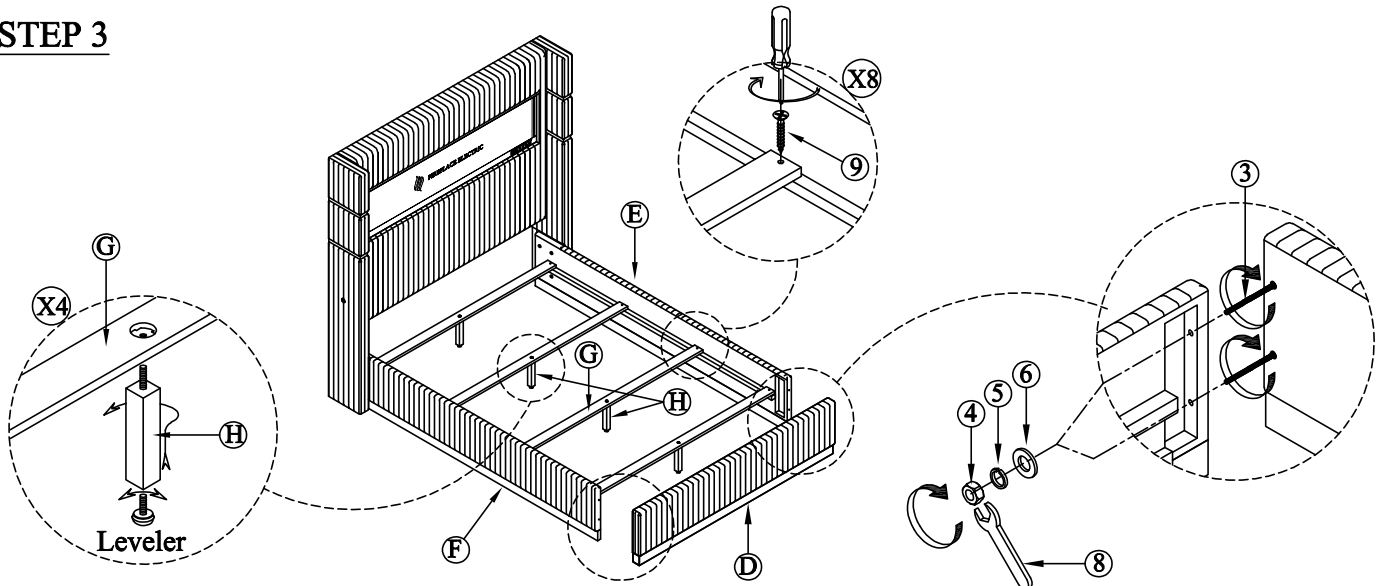
STEP 2



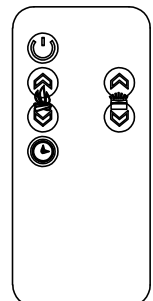
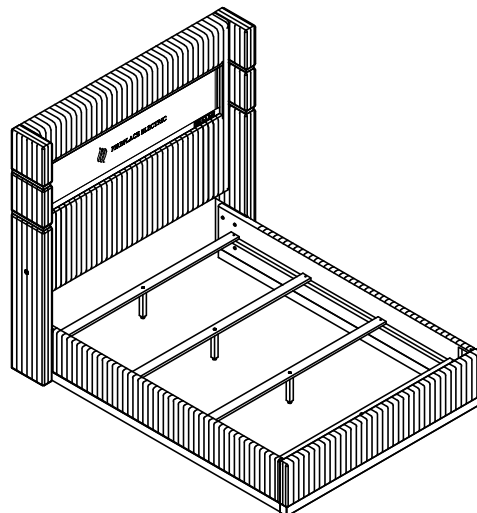
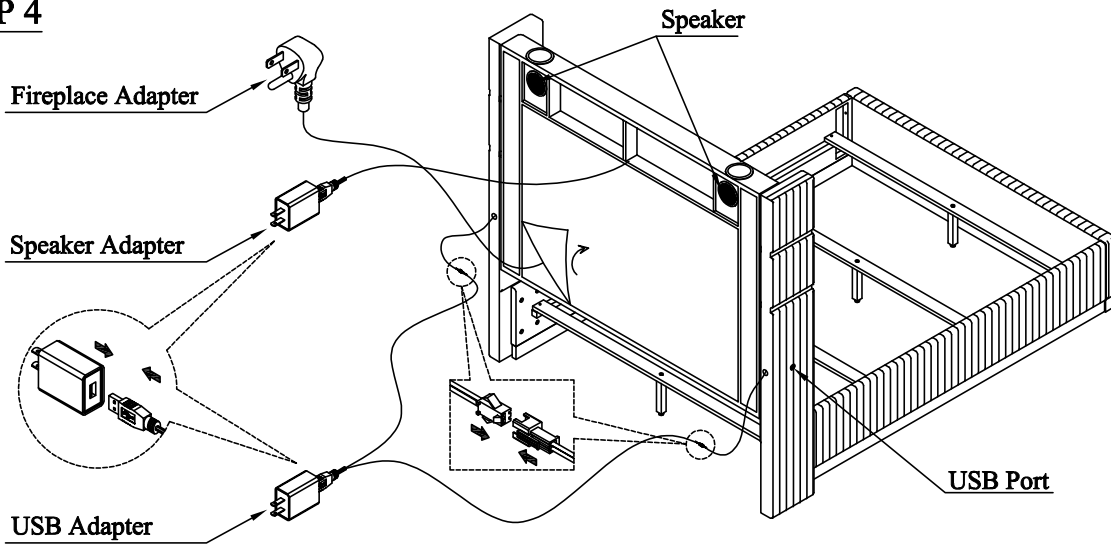
ASSEMBLY INSTRUCTIONS

DESCRIPTION: QUEEN BED

STEP 3



STEP 4



Fireplace Remote control
(1pc)

COMPLETED