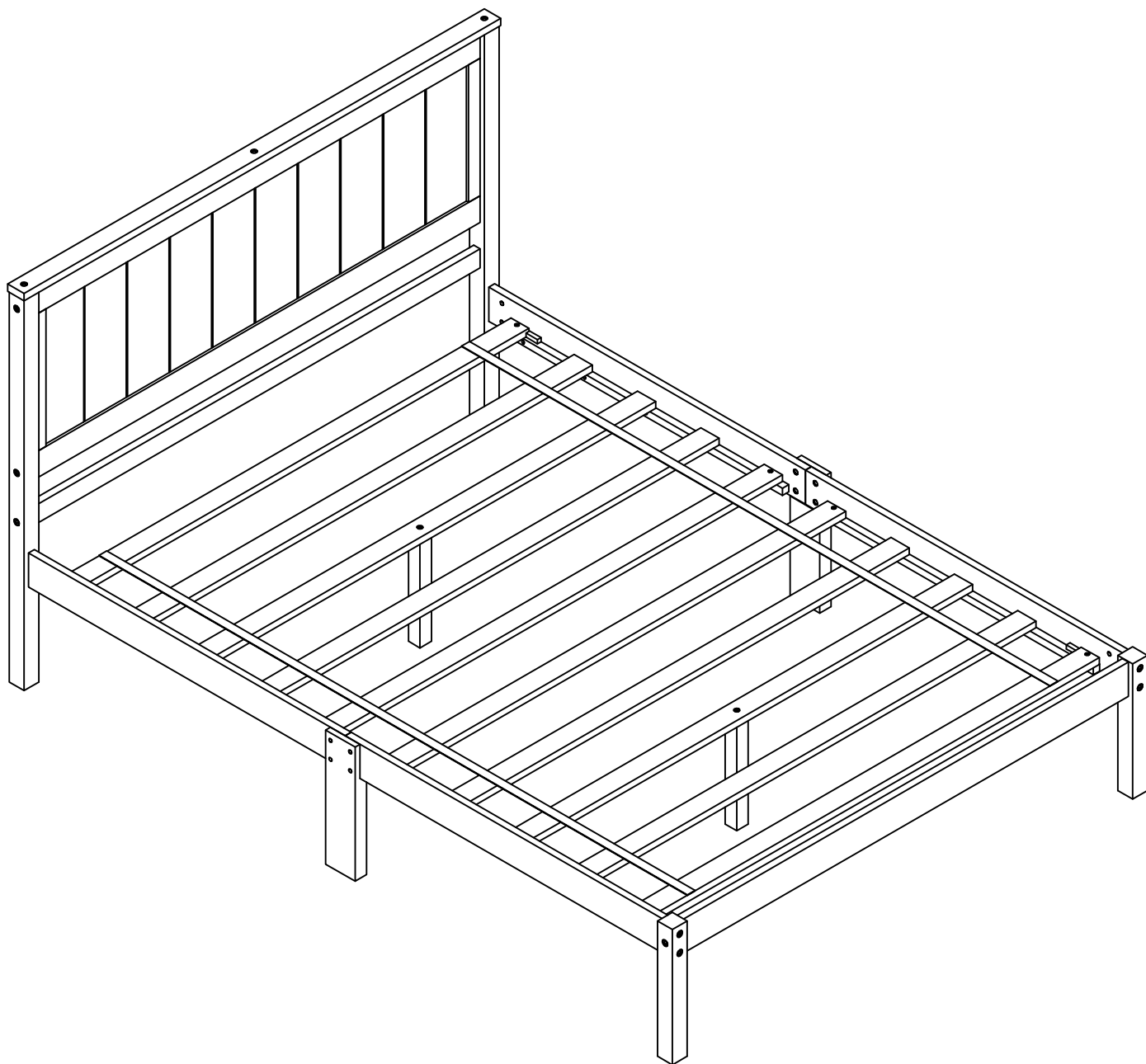
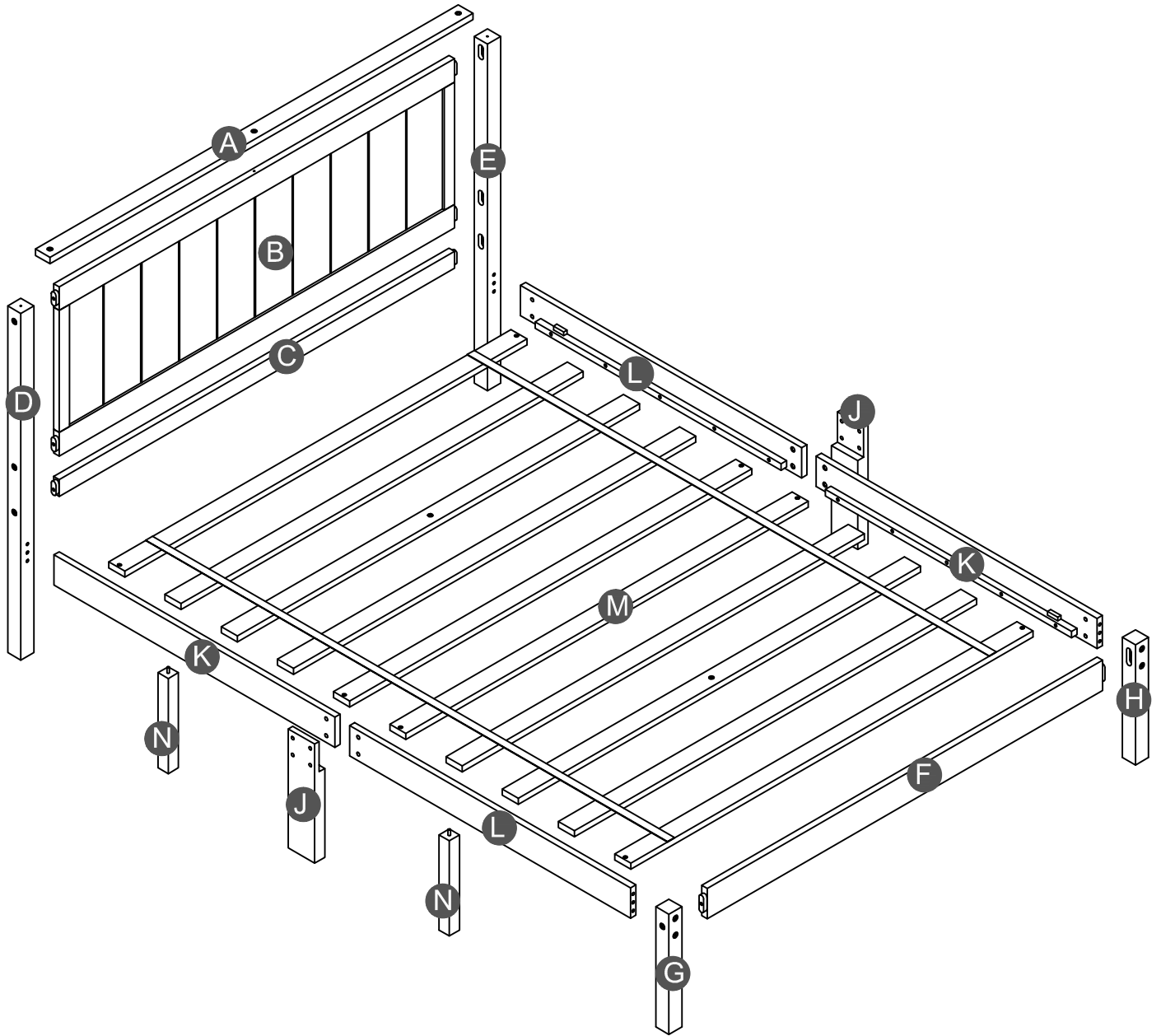


ASSEMBLY INSTRUCTIONS


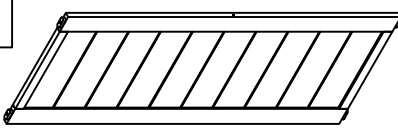
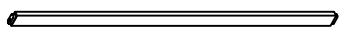
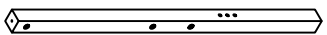
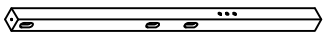
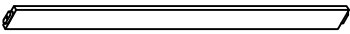
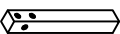
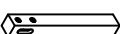
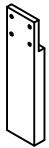


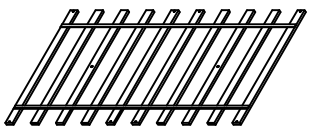
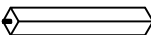
FULL BED



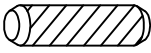
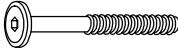
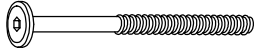





Detail View



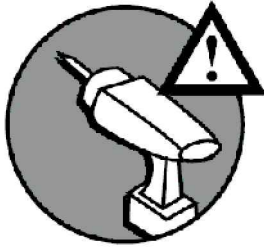
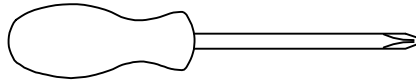
Part List

<p>A</p>  <p>Cap for upper HB - 1pc</p>	<p>B</p>  <p>Headboard - 1pc</p>	<p>C</p>  <p>Horizontal bar - 1pc</p>
<p>D</p>  <p>Leg headboard(Left) - 1pc</p>	<p>E</p>  <p>Leg headboard(Right) - 1pc</p>	<p>F</p>  <p>Footboard(FB) - 1pc</p>
<p>G</p>  <p>Leg footboard(Right) - 1pc</p>	<p>H</p>  <p>Leg footboard(Left) - 1pc</p>	<p>J</p>  <p>Side rail support - 2pcs</p>
<p>K</p>  <p>Side rail left & right - 2pcs</p>	<p>L</p>  <p>Side rail left & right - 2pcs</p>	<p>M</p>  <p>Slat - 1set (10pcs)</p>
<p>N</p>  <p>Center support - 2pcs</p>		

Hardware List

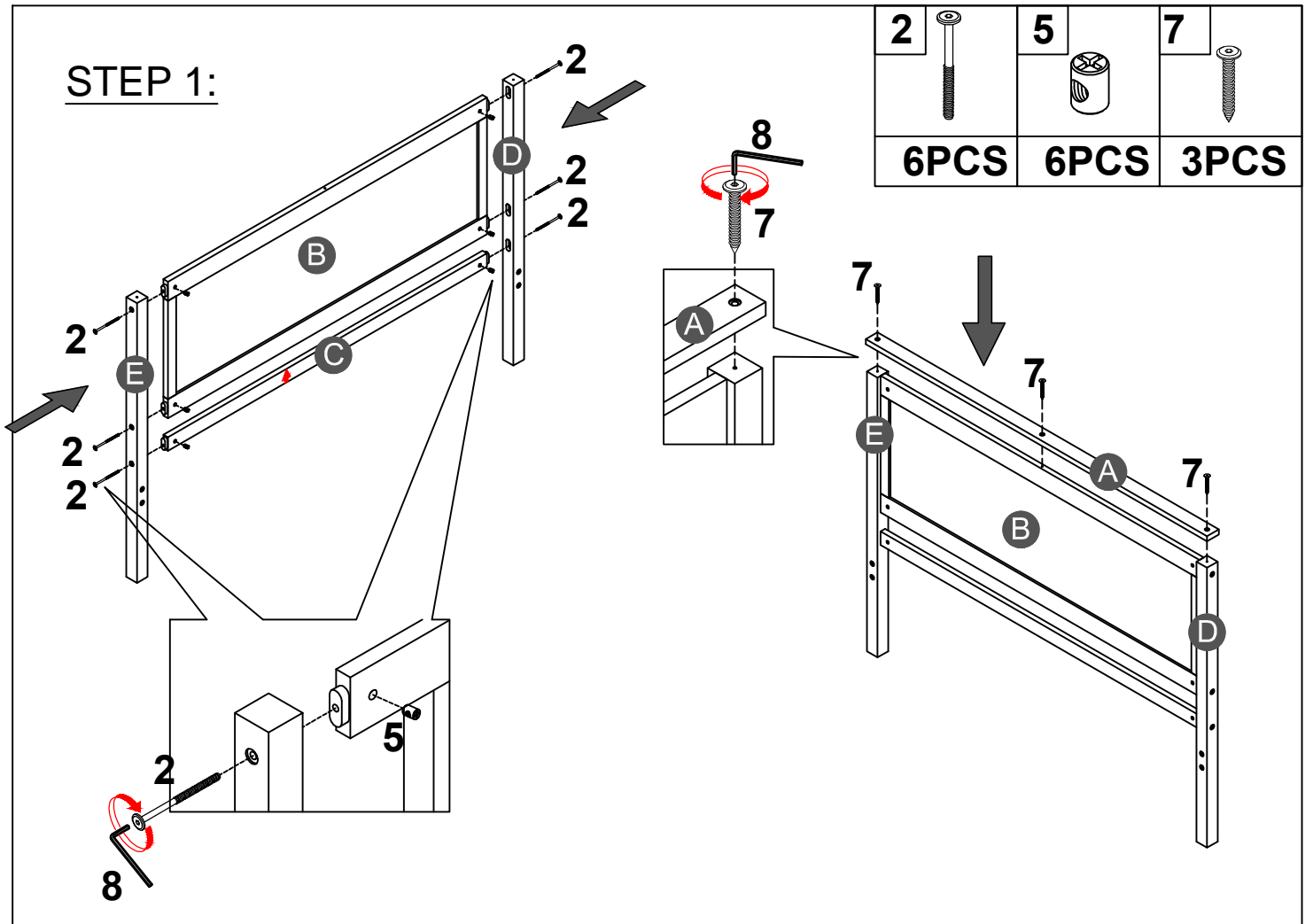
1  Ø8*30mm Wood dowel (4pcs)	2  (Ø15)1/4"*80mm Hex-Head bolts (8pcs)	3  (Ø15)1/4"*100mm Hex-Head bolts (8pcs)
4  (Ø12)1/4"*30mm Hex-Head bolts (8pcs)	5  1/4"*15 (9.5mm) Horizontal-Hole bolts(16pcs)	6  Ø4*30mm Wood screws (8pcs)
7  (Ø12)1/4"*40mm Hex-Head bolts (3pcs)	8  (1/4")4.5*58mm Allen key (1pc)	

ASSEMBLY TOOLS REQUIRED (NOT INCLUDED)

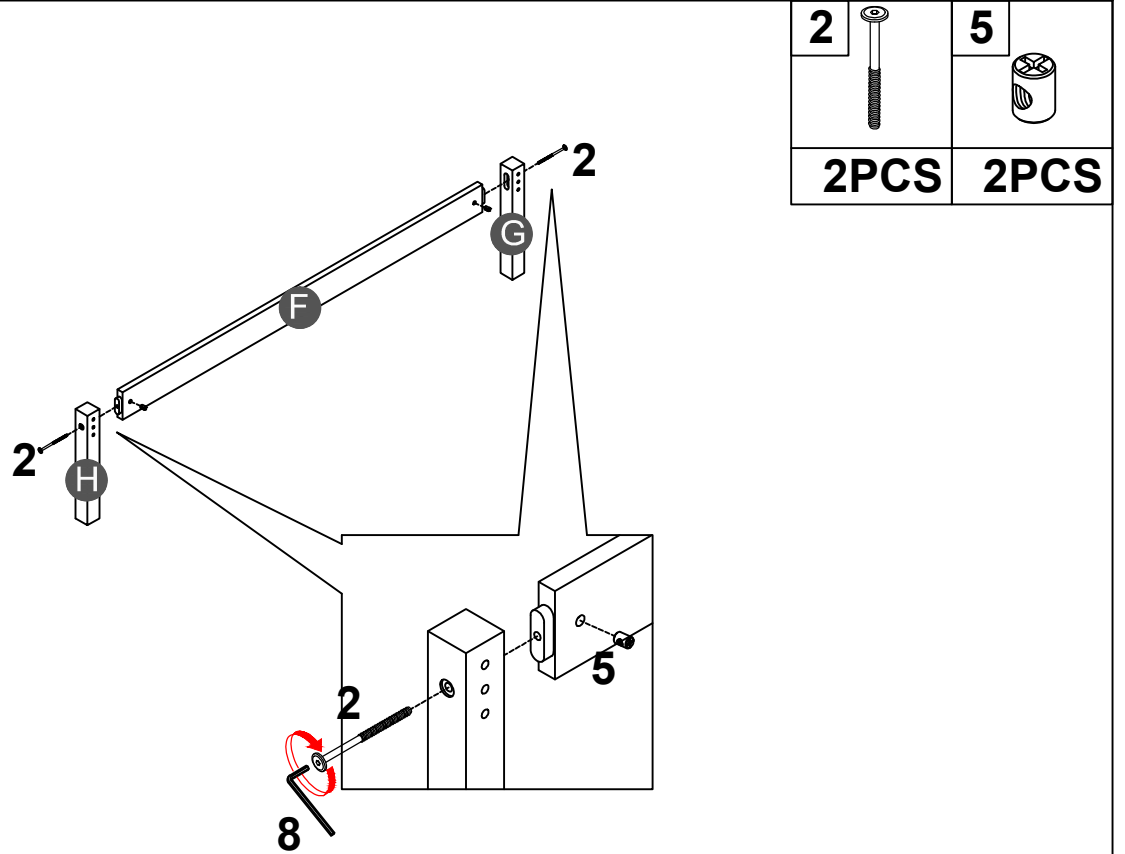


PLEASE BE CAREFUL DO NOT DAMAGE THE HOLE POSITION WHEN YOU USE POWER TOOLS !

STEP 1:

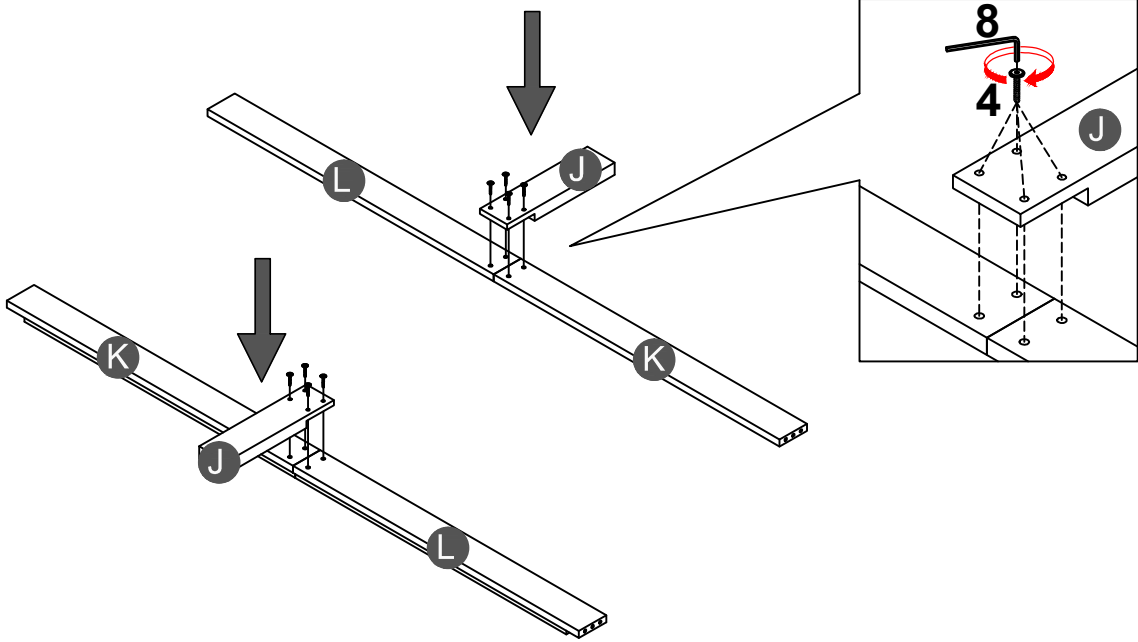


STEP 2:






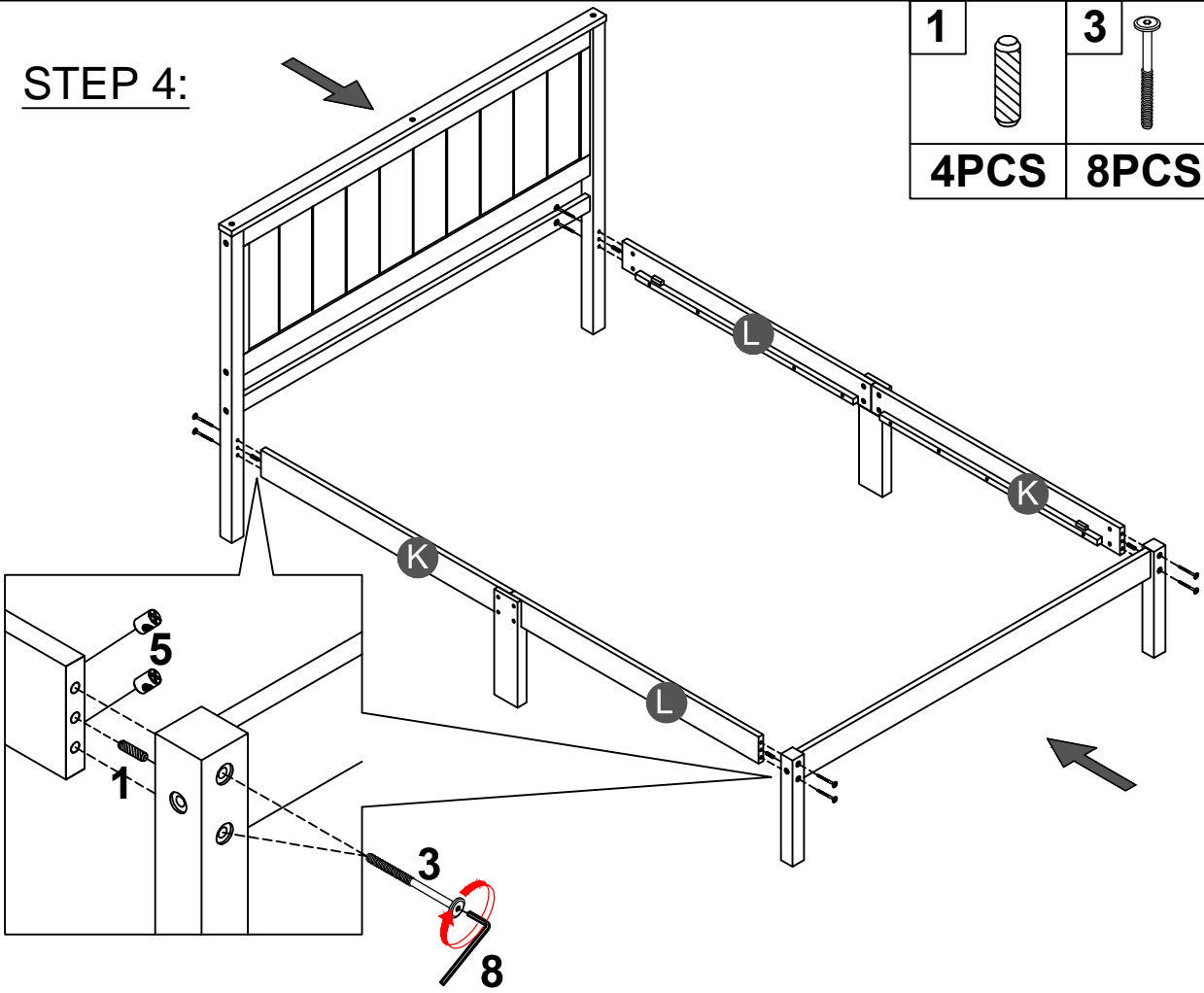
STEP 3:

4	
8PCS	

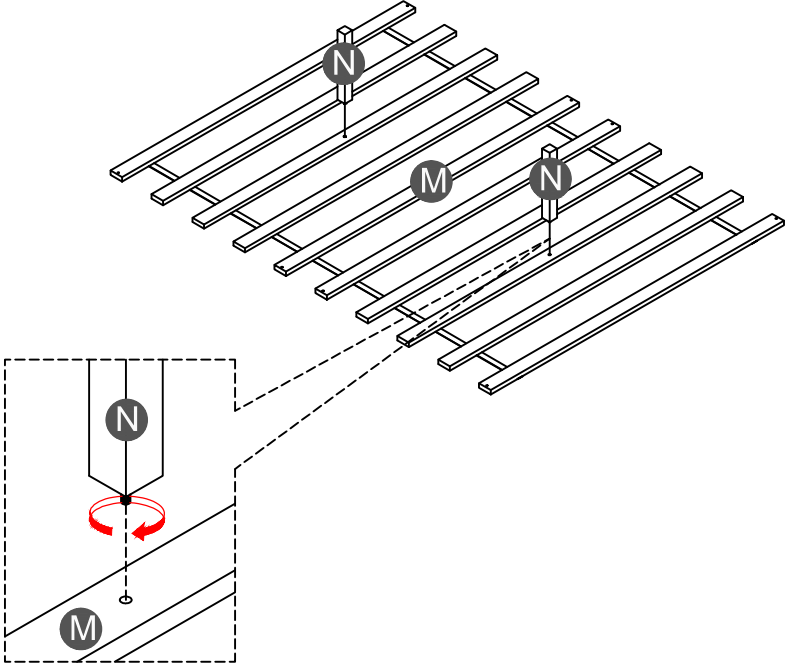


STEP 4:

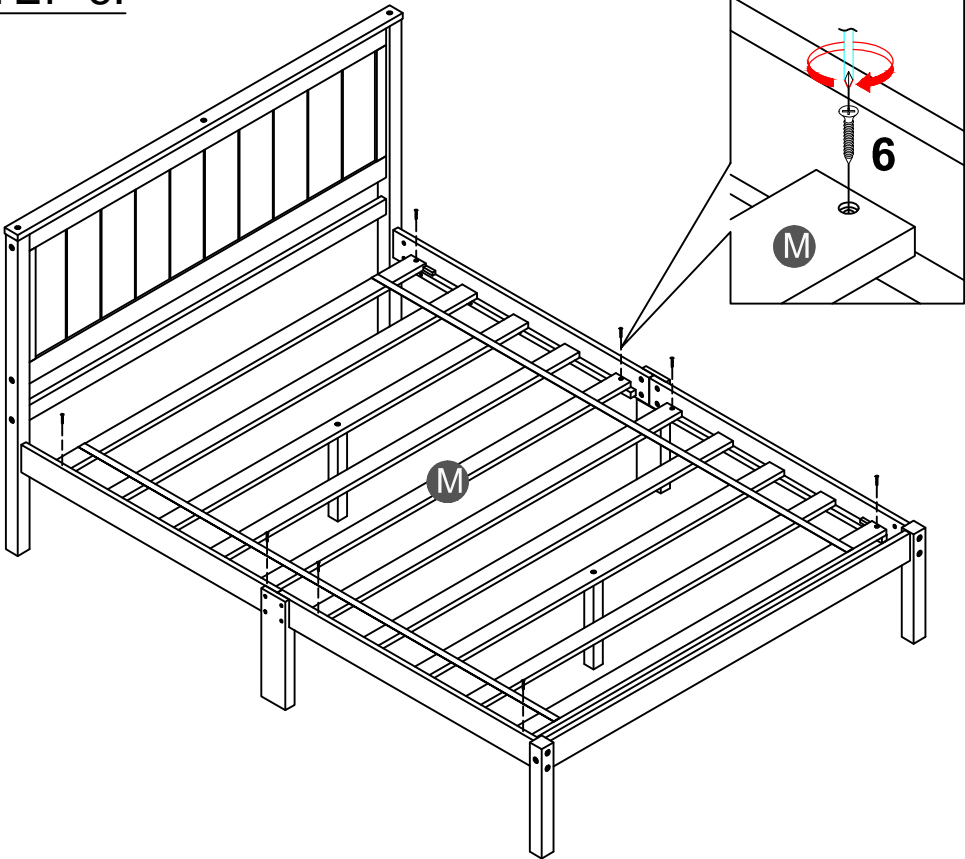
1		3		5	
4PCS		8PCS		8PCS	




STEP 5:



STEP 6:



6	
8PCS	