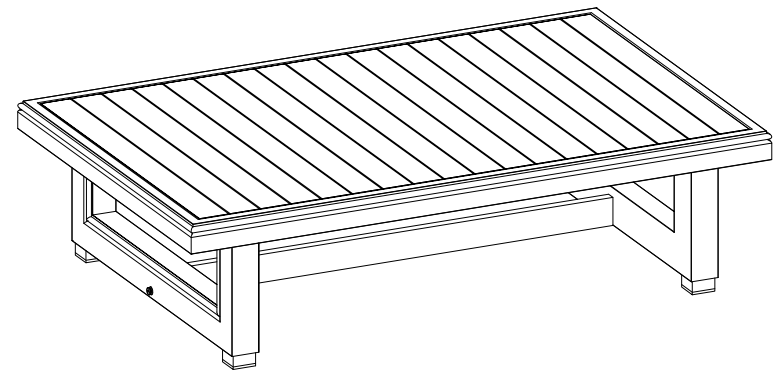


MONTFORD ALUMINIUM COFFEE TABLE

Assembly Instructions



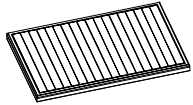
Need help?

Feel free to contact us via email or call
if you have any specific questions!

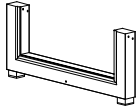
Everything we make is incredibly simple to set up, including your new coffee table. You won't need any additional tools.

Parts List

A x1
TABLE TOP



B x2
TABLE LEG



C x1
SUPPORT RAIL



Hardware List

HW1 x2
Allen bolt M6x85mm



HW2 x8
Allen bolt M6x110mm



HW3 x10
Flat Washer M6



HW4 x10
Lock Washer M6

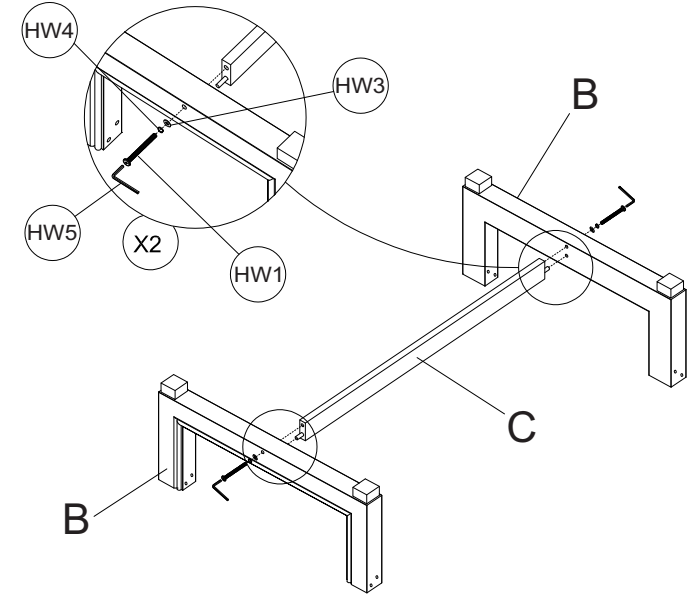


HW5 x1
Allen Key



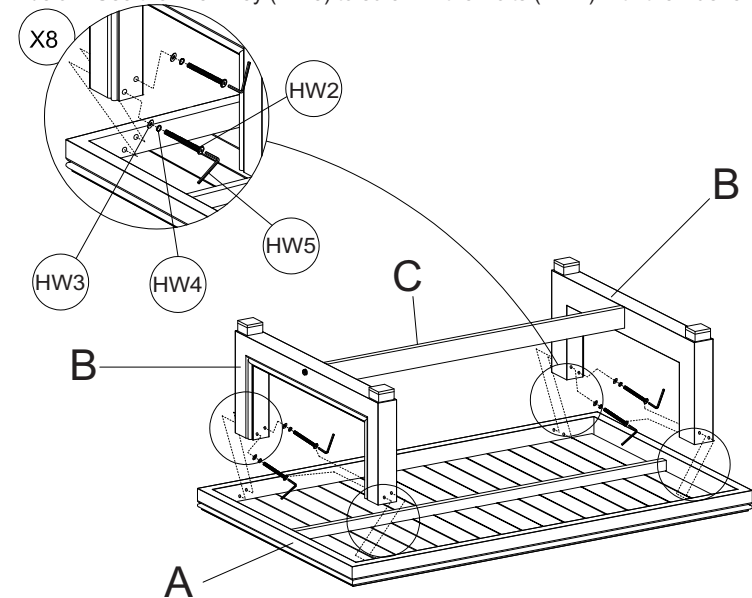
1

On a soft surface, align the screw holes on the 2 Table Legs (B) to the screw holes on the Support Rail (C). Place the Lock Washer (HW4) and the Flat Washer (HW3) on the Allen Bolts (HW1) in the order shown below. Use the Allen Key (HW5) to screw in the Bolts (HW1) with the washers attached.



2

Place the Table Top (A) upside down on a soft surface. Align the screw holes on it to the screw holes on the assembled legs. Place the Lock Washer (HW4) and the Flat Washer (HW3) on the Allen Bolts (HW2) in the order shown below. Use the Allen Key (HW5) to screw in the Bolts (HW2) with the washers attached.



3

Place the coffee table in the position you will use it. We'd love to see it – just tag us (we're @safavieh) and use the hashtag #safavieh on Instagram!

