

# ASSEMBLY INSTRUCTION

## Twin Triple Bunk Bed With trundle

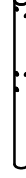
### PART LIST:



A:Post  
2 PCS



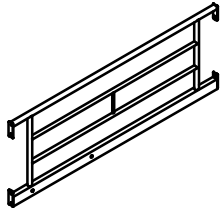
B:Post  
2 PCS



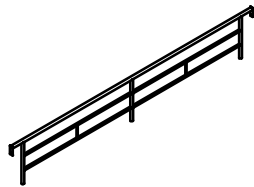
C:Post  
2 PCS



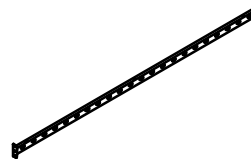
D:Post  
2 PCS



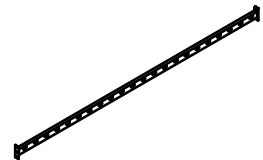
F:End Guard Rail  
4PCS



G: Guard Rail  
2PCS



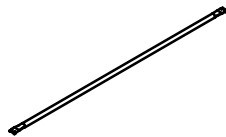
H:Side Rail  
2PCS



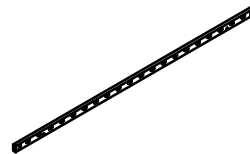
J:Side Rail  
2PCS



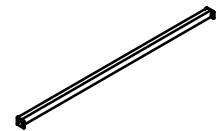
K:Post Connector  
4PCS



O:Slat  
64PCS



E:Side Rail  
2PCS



M:End Rail  
2PCS



N1:Locking Caster  
2PCS



N:Caster  
2PCS



Z:Ladder  
2PCS

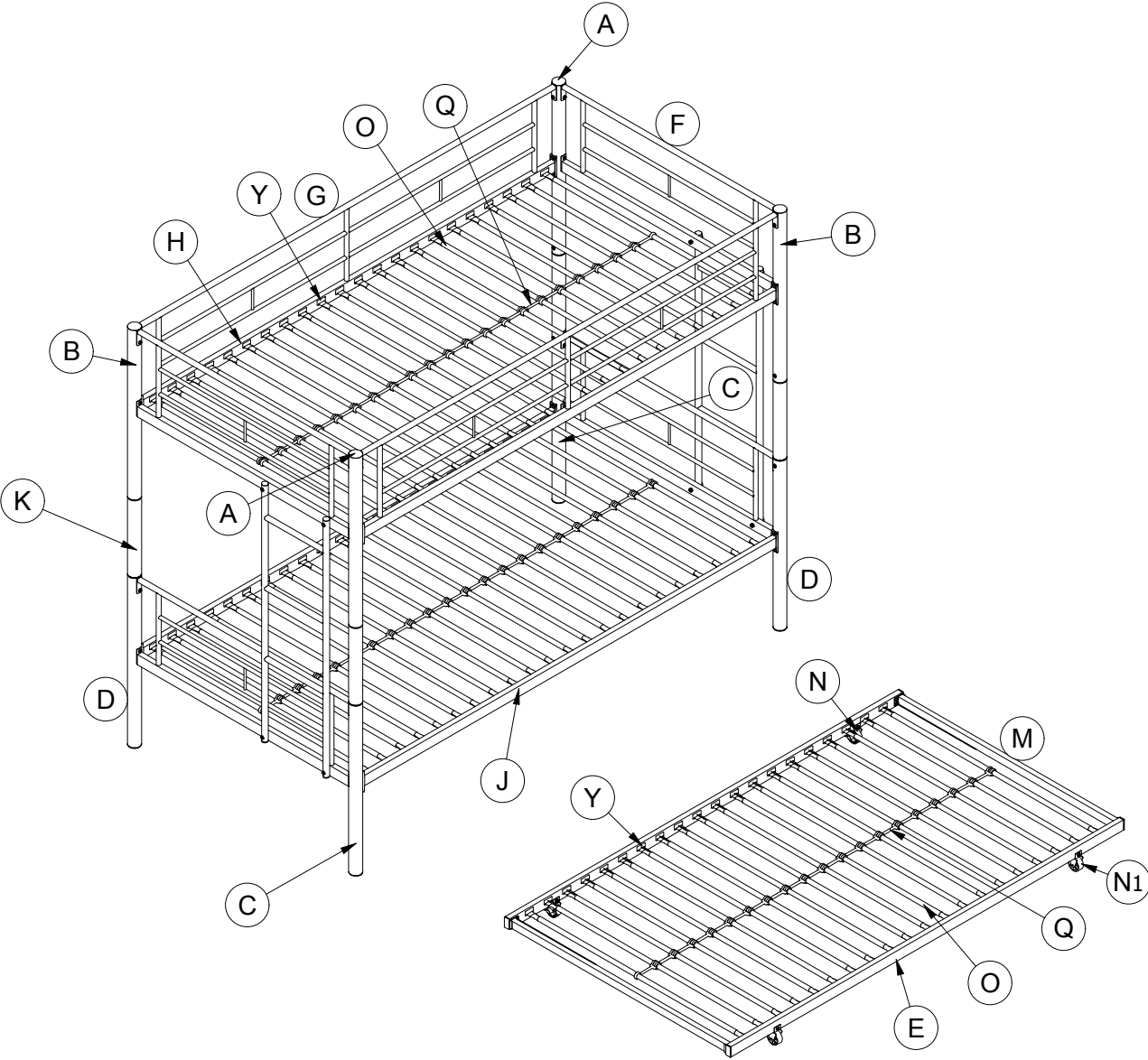


Q:Spacer  
61PCS

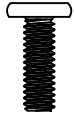


Y:Plug  
128PCS

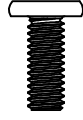
# PARTS LIST



# HARDWARE LIST-BUNK BED



1: Bolt 1/4\*19mm  
X 28pcs



2: Bolt 5/16\*19mm  
X 16pcs



3: Bolt 1/4\*60mm  
X 6pcs



4: Bolt 1/4\*51mm  
X 8pcs



5: Nut 1/4  
X 8pcs

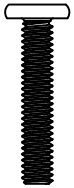


6: L-Allen Key  
X 1pc

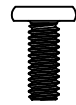


7: Wrench  
X 1pc

# HARDWARE LIST-TRUNDLE



1: Bolt 1/4\*33mm  
X 4pcs



2: Bolt 1/4\*16mm  
X 8pcs



3: Nut 1/4  
X 4pcs



4: L-Allen Key  
X 1pc

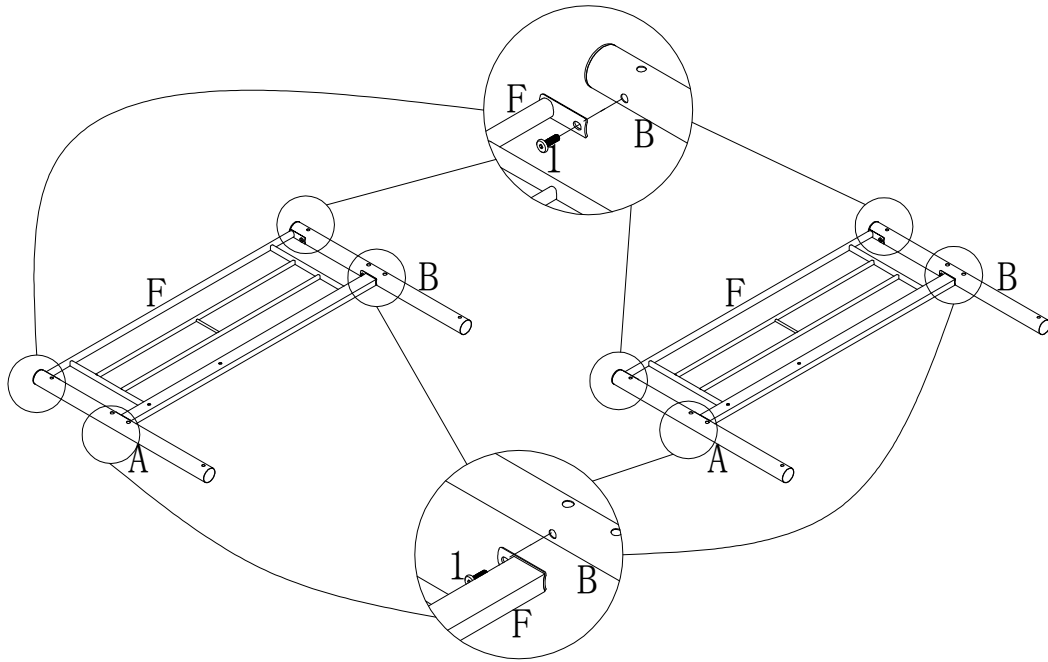


5: Wrench  
X 1pc

Note: Please do not tighten all bolts until the bed is assembled completely.

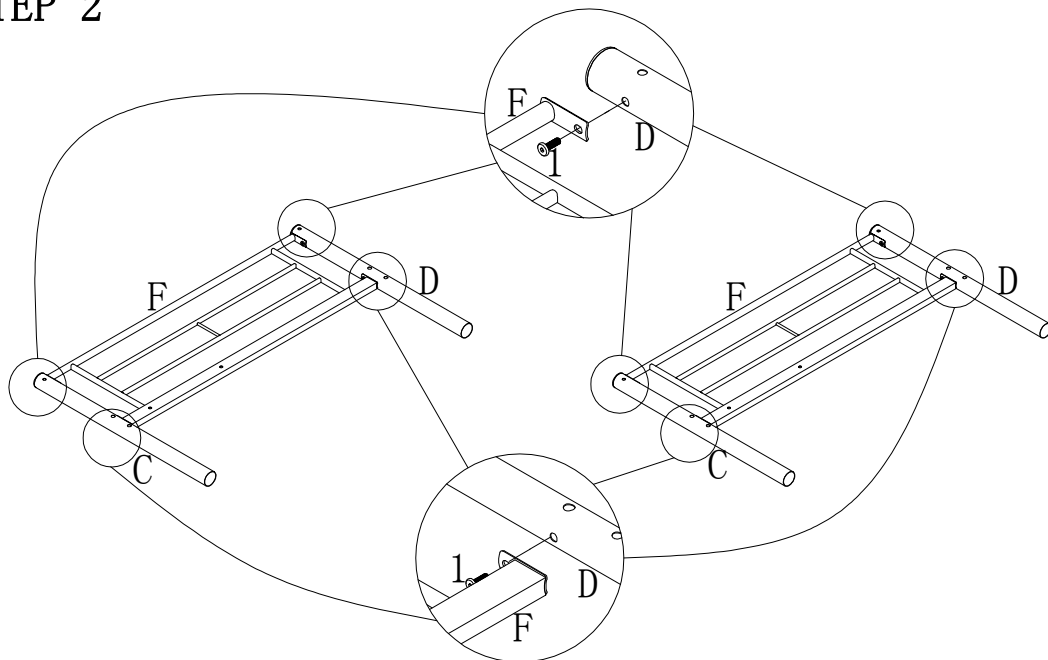
### STEP 1

The following instructions will illustrate how to assemble the Bunk bed from **STEP 1** to **STEP 11**. Please use the Bunk bed Hardware



Hardware 1: 8 pcs

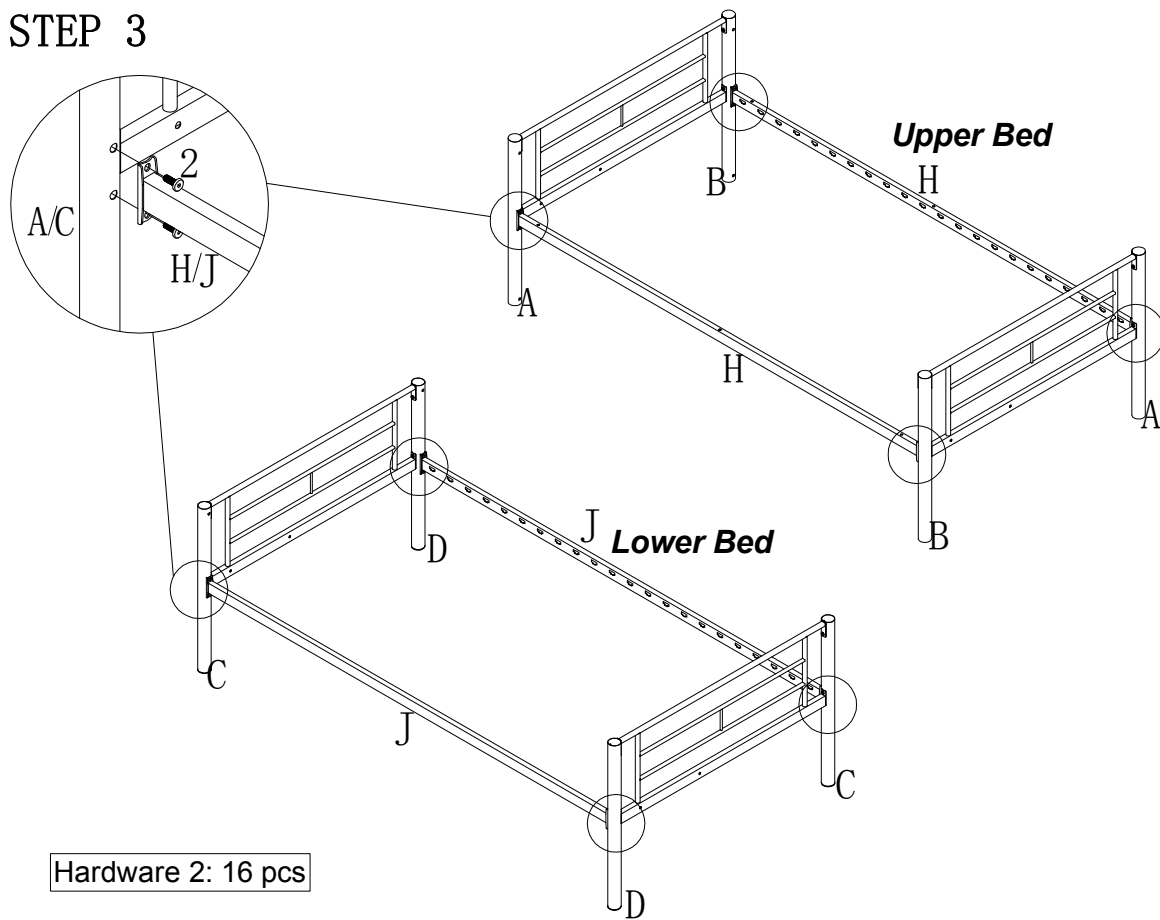
### STEP 2



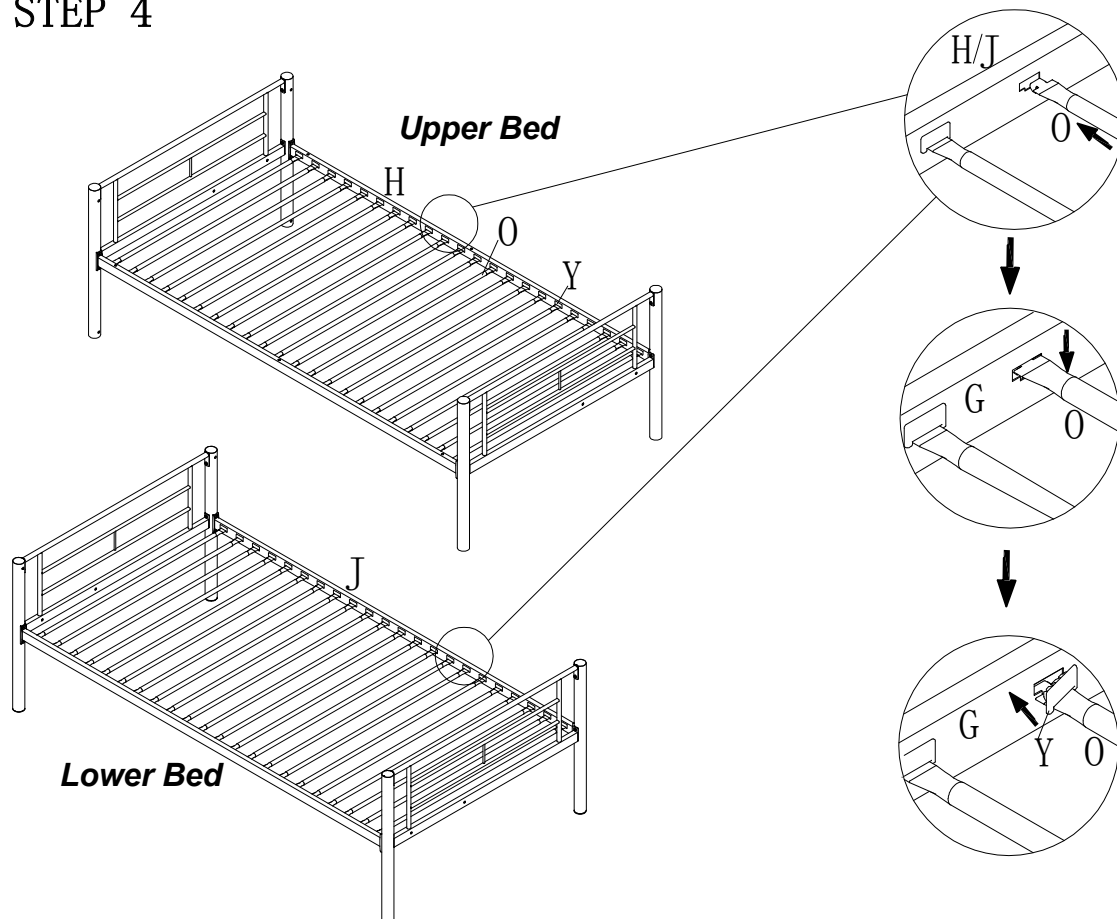
Hardware 1: 8 pcs

Note: Please do not tighten all bolts until the bed is assembled completely.

### STEP 3

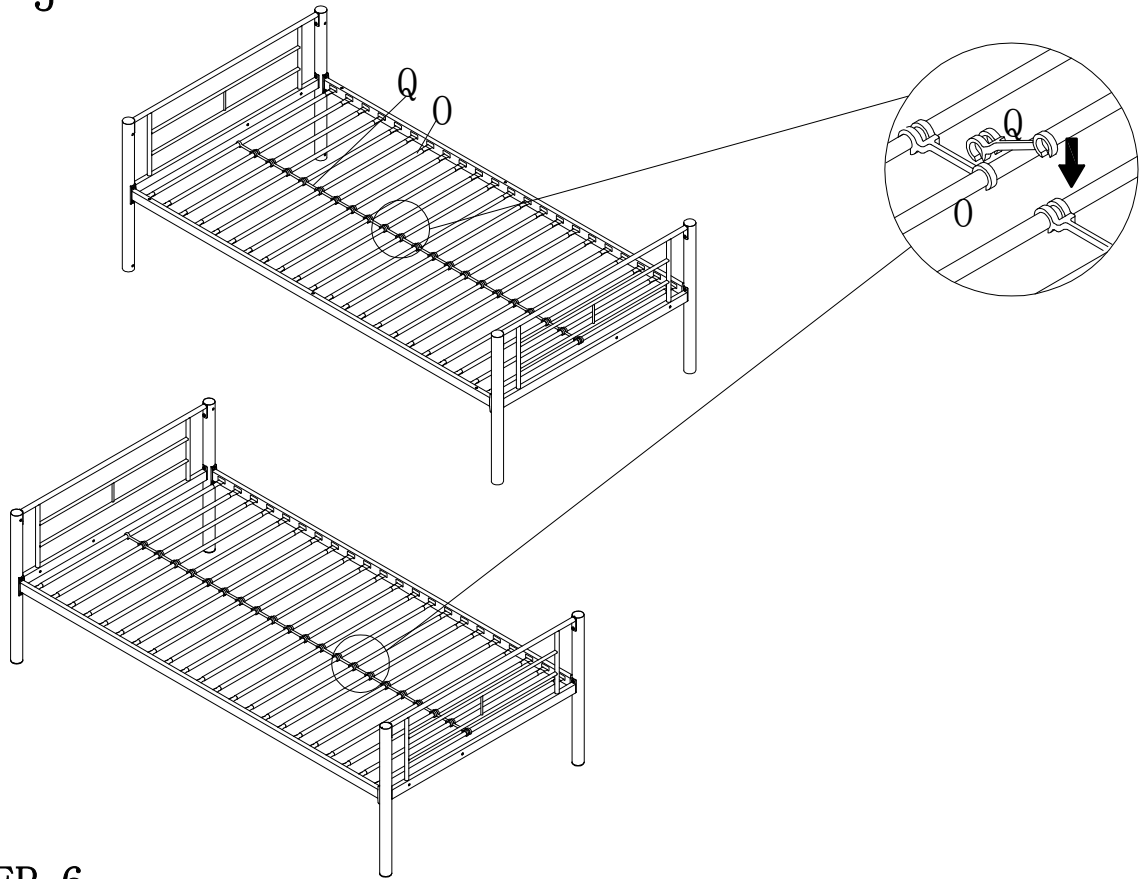


### STEP 4

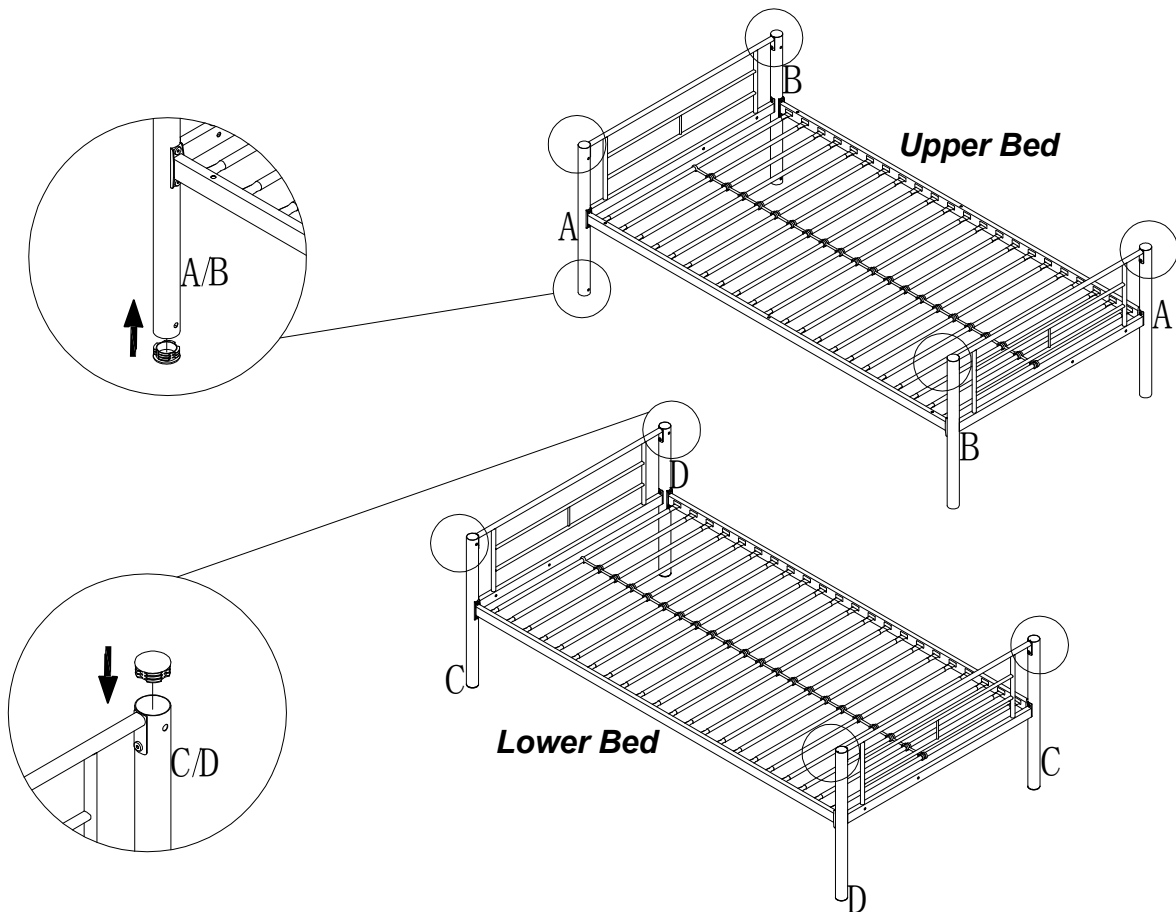


Note: Please do not tighten all bolts until the bed is assembled completely.

STEP 5

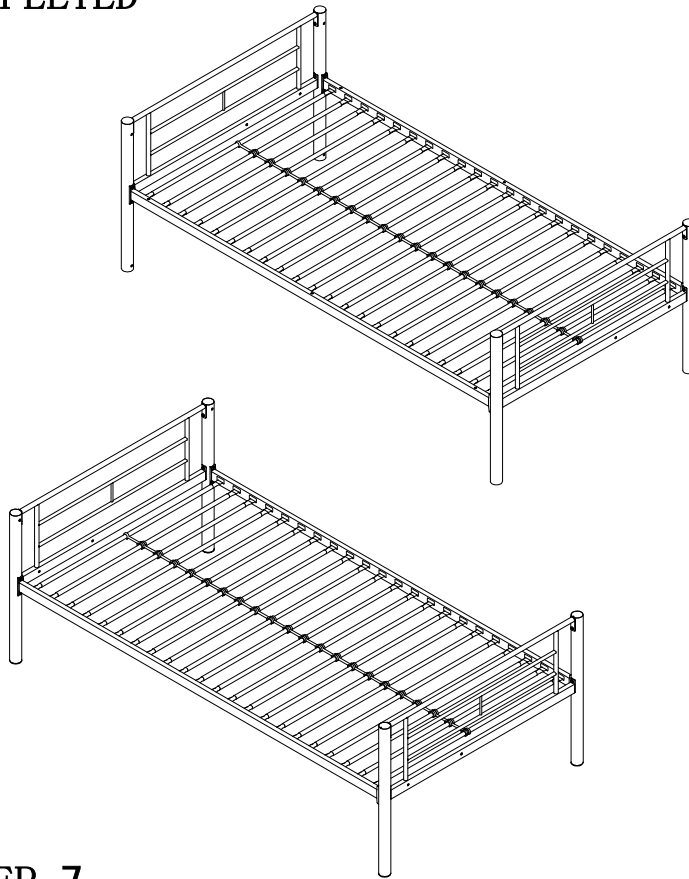


STEP 6

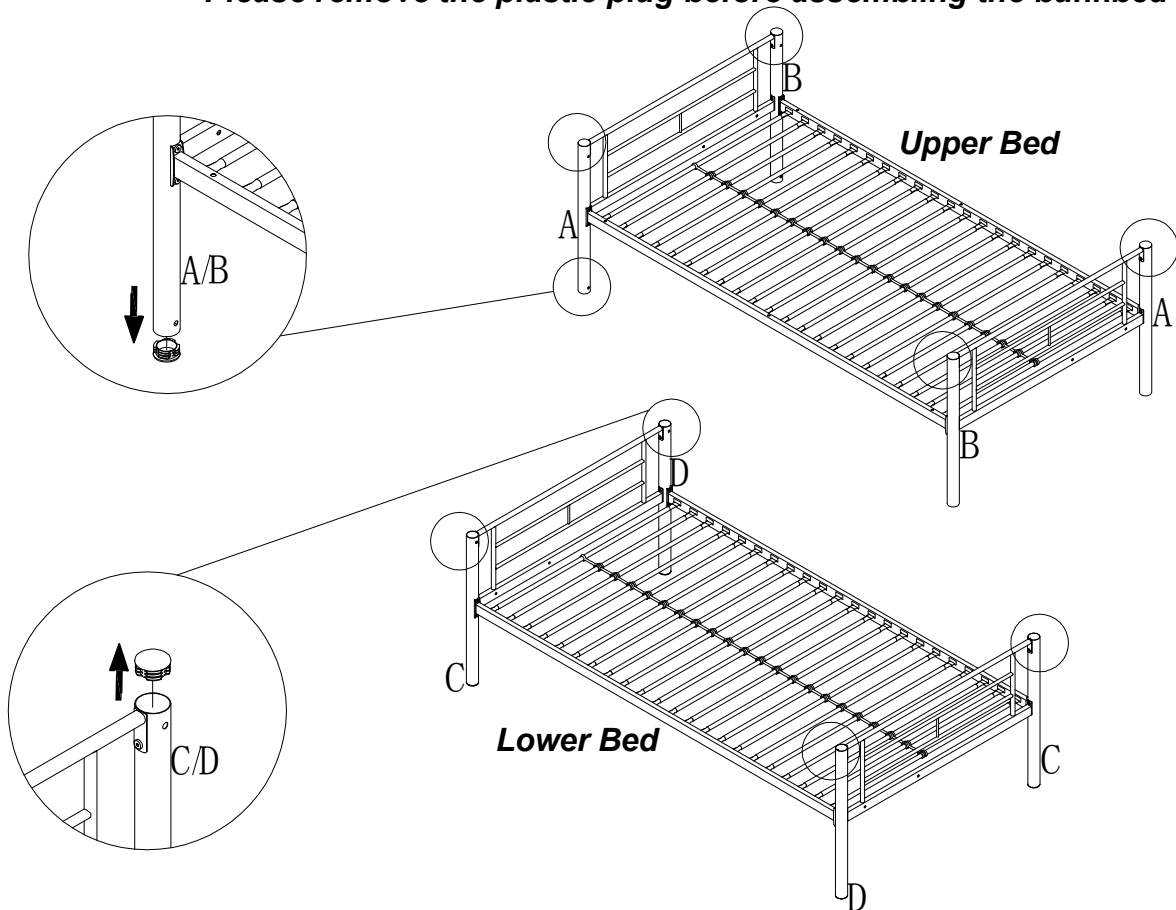


Note: Please do not tighten all bolts until the bed is assembled completely.

COMPLETED

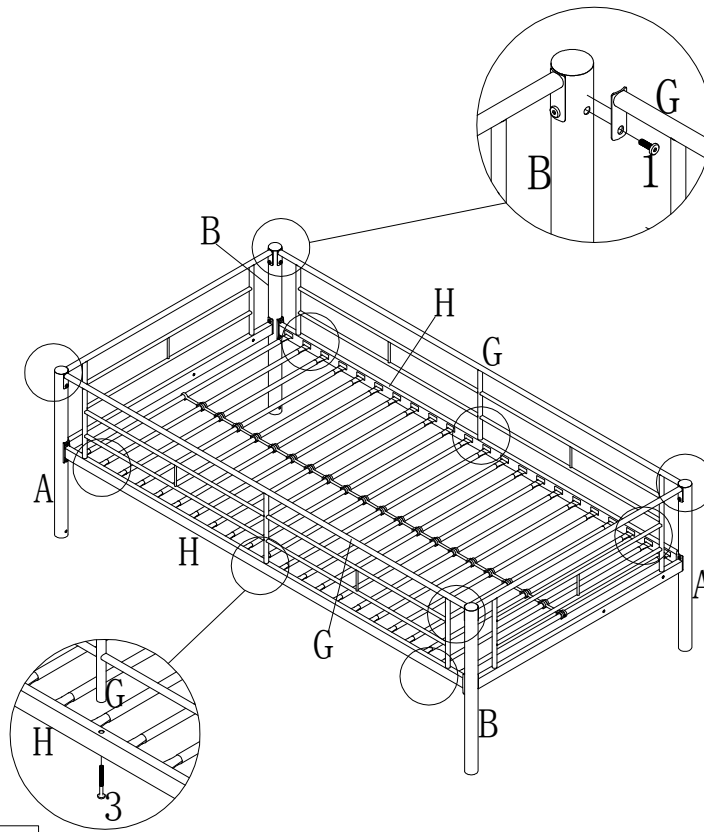


**STEP 7** Please remove the plastic plug before assembling the bunkbed



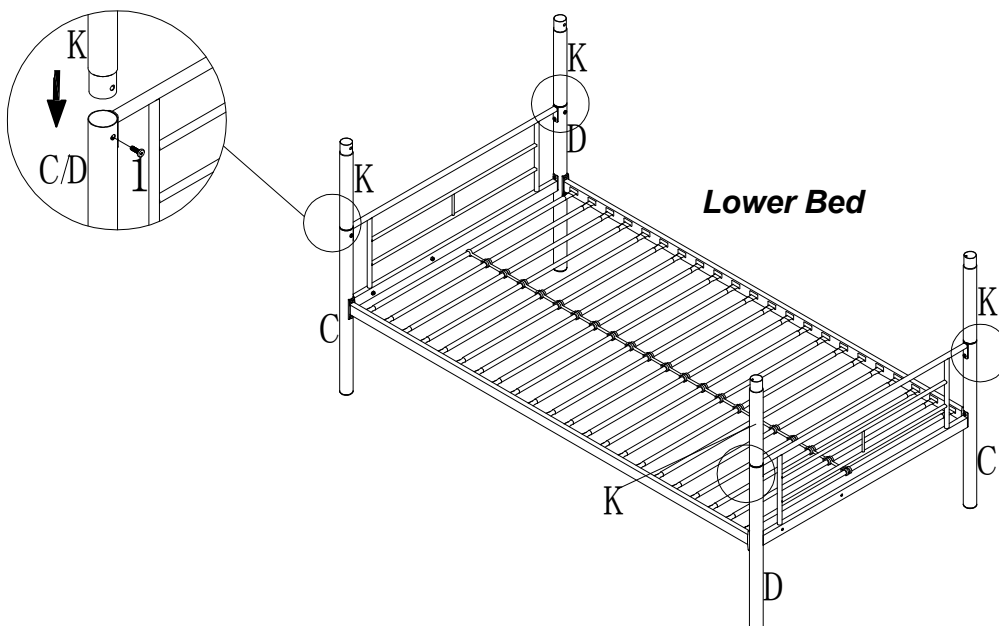
Note: Please do not tighten all bolts until the bed is assembled completely.

### STEP 8



Hardware 1: 4 pcs  
Hardware 3: 6 pcs

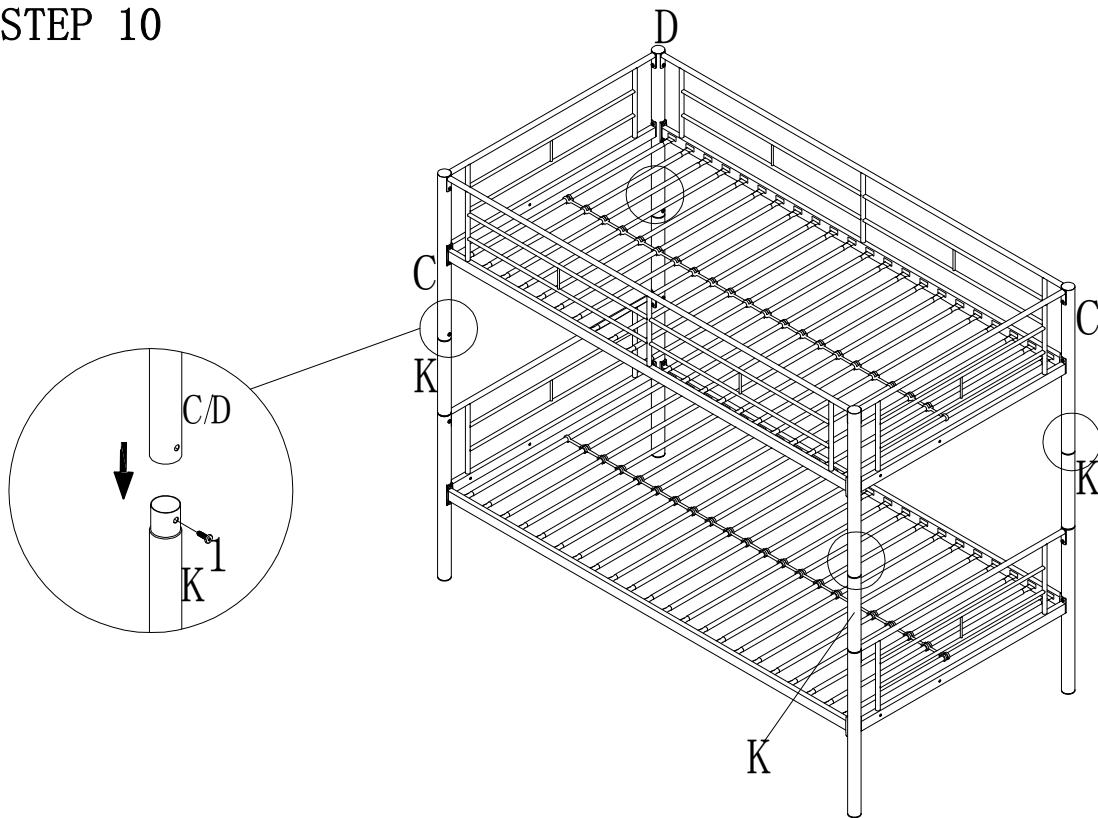
### STEP 9



Hardware 1: 4 pcs

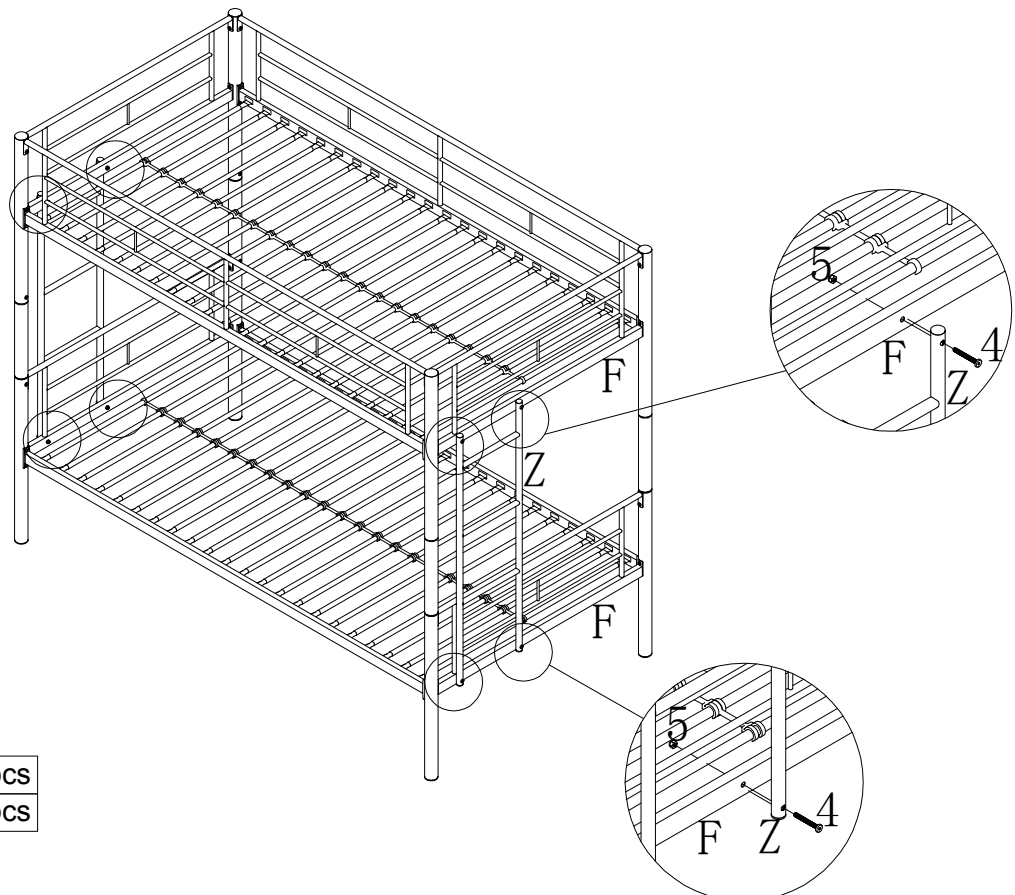
Note: Please do not tighten all bolts until the bed is assembled completely.

STEP 10



Hardware 1: 4 pcs

STEP 11

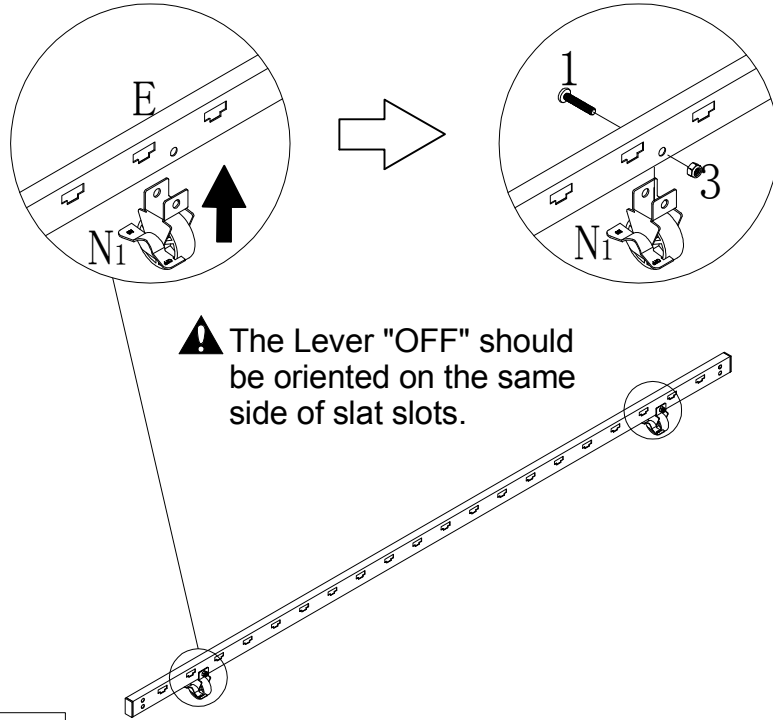


Hardware 4: 8 pcs  
Hardware 5: 8 pcs

Note: Please do not tighten all bolts until the bed is assembled completely.

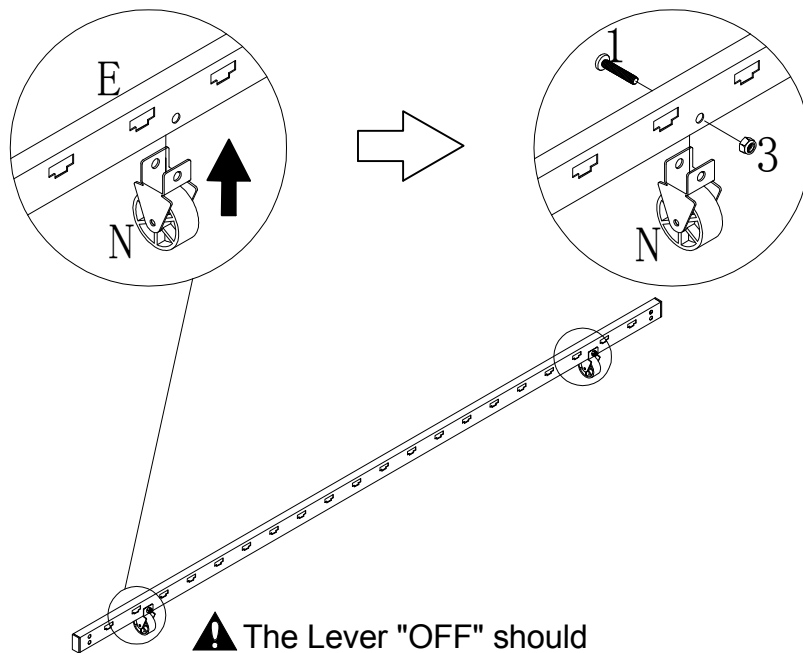
### STEP 12

The following instructions will illustrate how to assemble the Trundle from **STEP 12** to **STEP 12**. Please use the Trundle Hardware



Hardware 1: 2 pcs
Hardware 3: 2 pcs

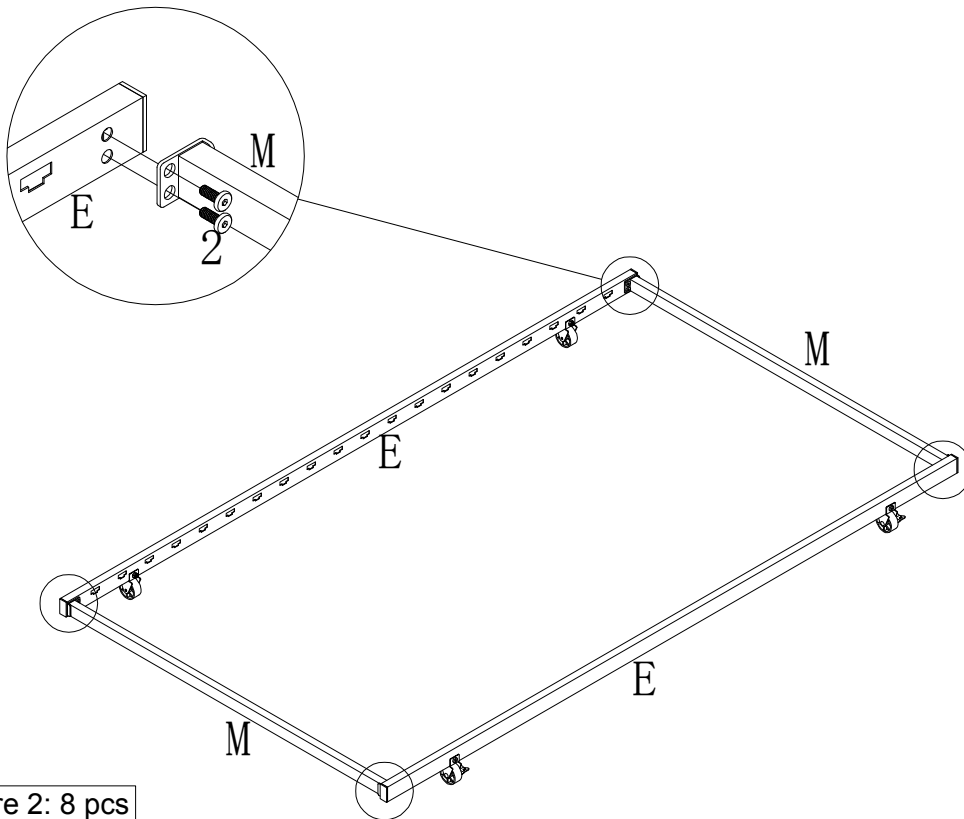
### STEP 13



Hardware 1: 2 pcs
Hardware 3: 2 pcs

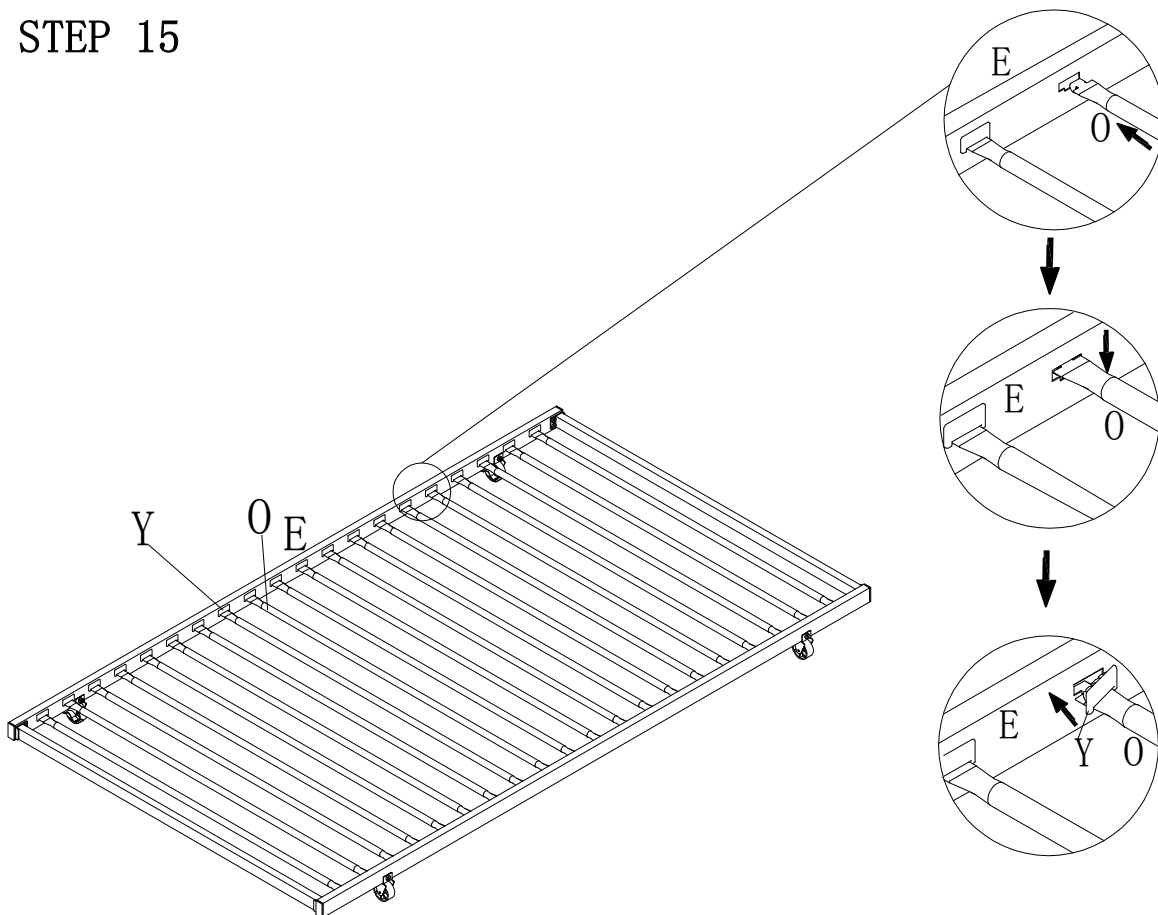
Note: Please do not tighten all bolts until the bed is assembled completely.

STEP 14



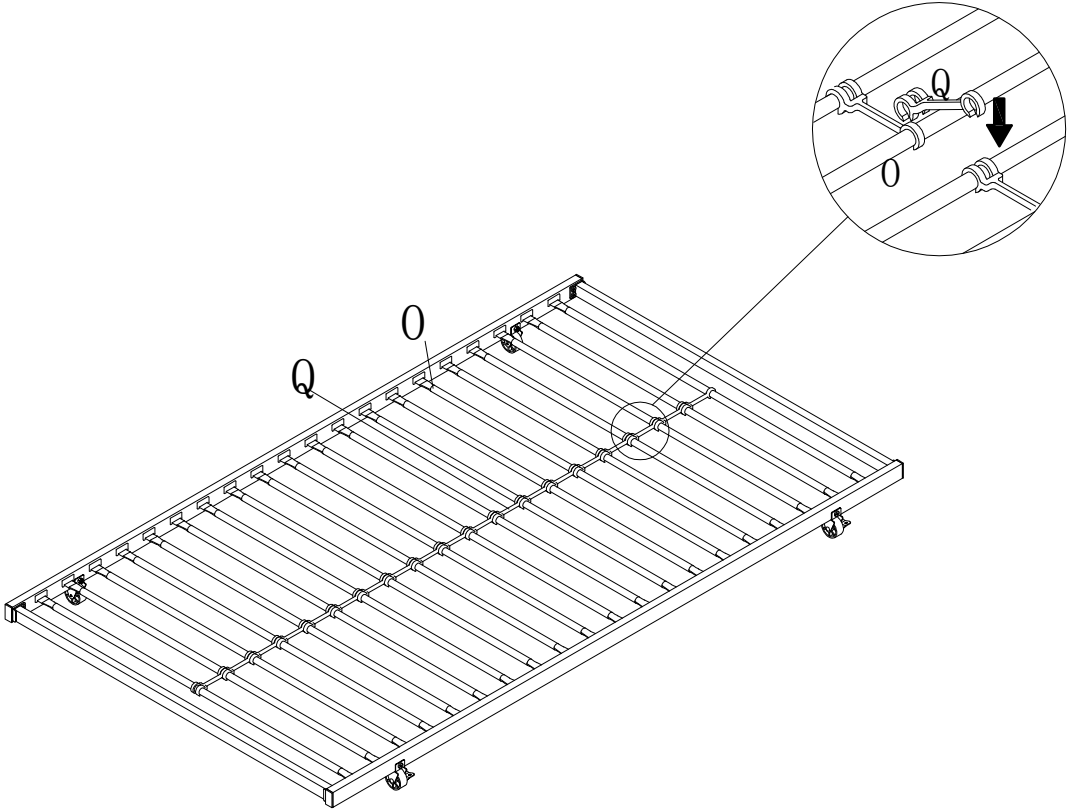
Hardware 2: 8 pcs

STEP 15



Note: Please do not tighten all bolts until the bed is assembled completely.

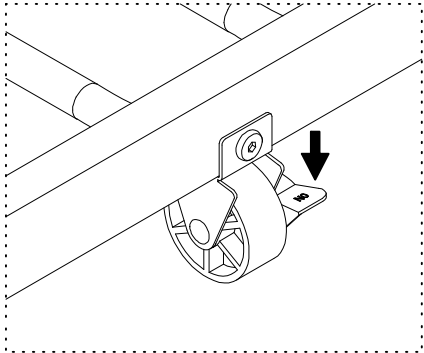
STEP 16



Note: Please do not tighten all bolts until the bed is assembled completely.

STEP 17

How to lock caster!



How to unlock caster!

