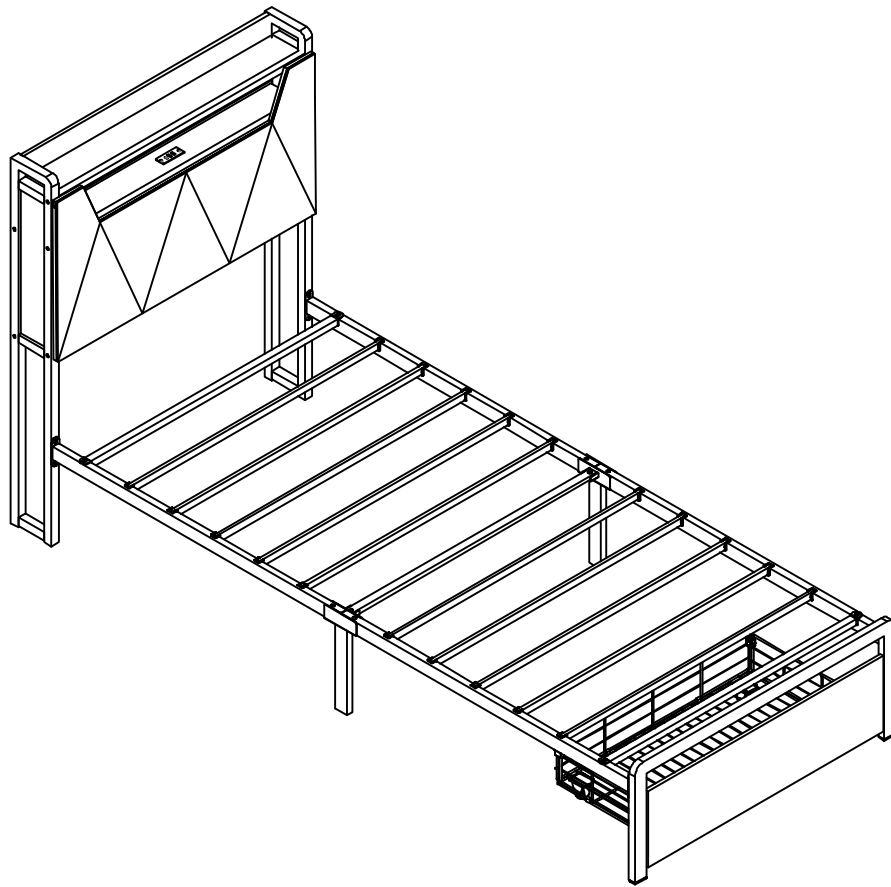


**Montageanleitung | Instructions de montage
Assembly Instructions | Instrucciones de montaje**

SKU NUMBER: N601P288312



CE



**UK
CA**

English

IMPORTANT ! KEEP FOR FUTURE REFERENCE : READ CAREFULLY

- To be assembled by an adult. Assembly must be checked by an adult before use
- **WARNING !** Keep all screws, small parts and plastic bags out of the reach of children
- Properly identify all parts before assembling
- Never use your item if any of its parts are broken or missing
- Should any problems arise, please contact our After Sales Service
- Manufacturer's instructions shall be followed at all times
- Care: Clean with a soft, dry cloth. In case of larger stains, carefully rub with a slightly damp, non-abrasive sponge
- Do not jump on the bed

Français

IMPORTANT ! CONSERVER POUR RÉFÉRENCE ULTÉRIEURE : LIRE ATTENTIVEMENT

- Le montage doit être effectué par un adulte. Le montage doit être vérifié par un adulte avant utilisation
- **ATTENTION !** Tenir les vis, les petites pièces et les sachets en plastique hors de portée des enfants
- Identifiez correctement toutes les pièces avant de les assembler
- N'utilisez jamais votre article si l'une de ses pièces est cassée ou manquante
- En cas de problème, veuillez contacter notre service après-vente
- Les instructions du fabricant doivent être respectées à tout moment
- Entretien : nettoyer avec un chiffon doux et sec. En cas de taches plus importantes, frotter soigneusement avec une éponge non abrasive légèrement humide. légèrement humide et non abrasive
- Ne pas sauter sur le lit

Deutsch

WICHTIG ! ZUM SPÄTEREN NACHSCHLAGEN AUFBEWAHREN: SORGFÄLTIG LESEN

- Muss von einem Erwachsenen zusammengebaut werden. Der Zusammenbau muss vor dem Gebrauch von einem Erwachsenen überprüft werden
- **WARNUNG!** Bewahren Sie alle Schrauben, Kleinteile und Plastikbeutel außerhalb der Reichweite von Kindern auf
- Kennzeichnen Sie vor dem Zusammenbau alle Teile richtig.
- Benutzen Sie Ihren Artikel niemals, wenn Teile gebrochen sind oder fehlen
- Sollten Probleme auftreten, wenden Sie sich bitte an unseren Kundendienst
- Die Anweisungen des Herstellers sind stets zu befolgen
- Pflege: Mit einem weichen, trockenen Tuch reinigen. Bei größeren Flecken vorsichtig mit einem leicht feuchten, nicht scheuernden Schwamm abreiben. nicht scheuernden Schwamm
- Nicht auf das Bett springen



More Tips

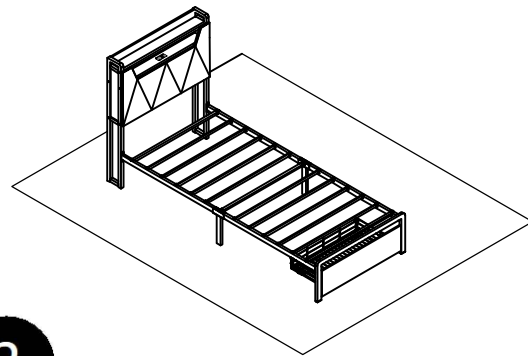


1

English - Before installation, you can place the parts on a carpet or other soft fabric, in order to avoid damaging your floor.

Français - Avant l'installation, vous pouvez placer les pièces sur un tapis ou un autre tissu doux, afin d'éviter d'endommager votre sol.

Deutsch - Vor der Installation können Sie die Teile auf einen Teppich oder ein anderes weiches Material legen, um eine Beschädigung Ihres Fußbodens zu vermeiden.

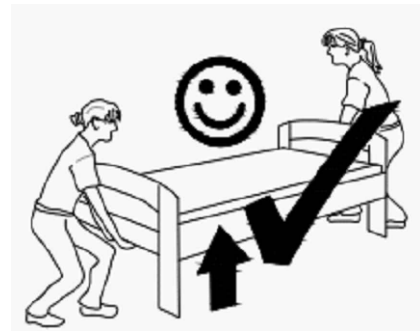


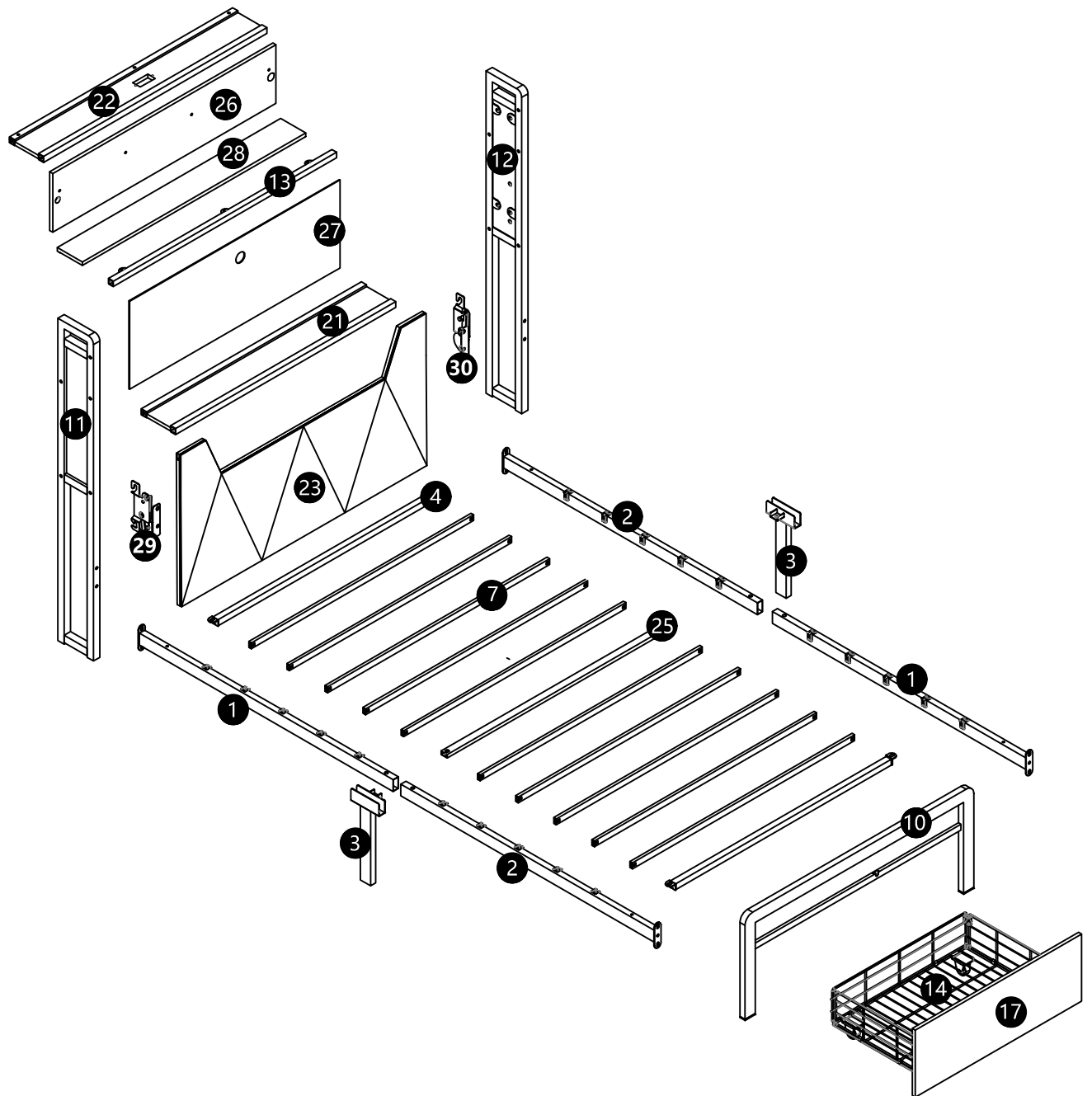
2

English - For your and your family's safety, please do not jump on beds, especially with hydraulic structures. When need to move bed, please work with more than one person to lift, not push, to avoid scratching your floor and hurting the stability of the bed.

Français - Pour votre sécurité et celle de votre famille, ne sautez pas sur les lits, en particulier sur les structures hydrauliques. Lorsqu'il est nécessaire de déplacer le lit, il est préférable de travailler à plusieurs pour le soulever, et non pour le pousser, afin d'éviter de rayer le sol et de nuire à la stabilité du lit.

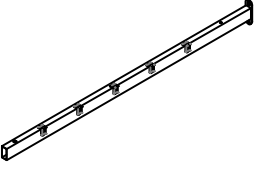
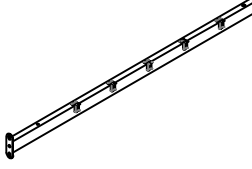
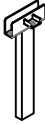
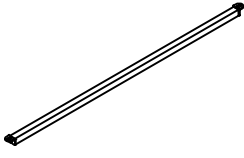
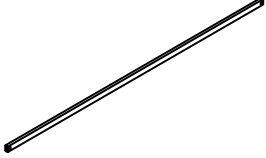
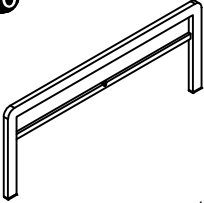


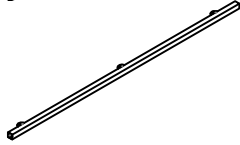
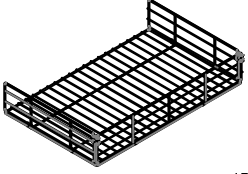
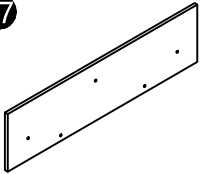

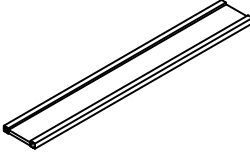
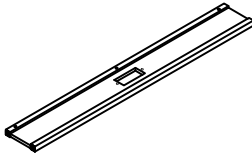
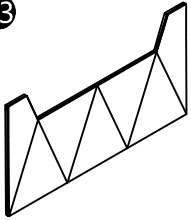
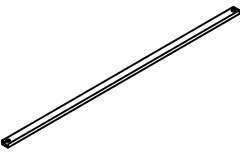
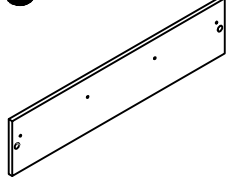
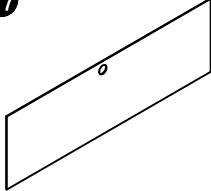
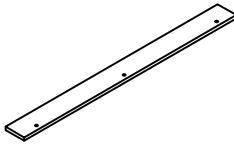


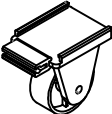

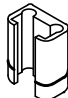

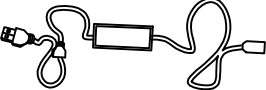
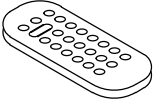
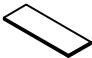
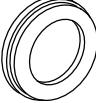
Deutsch - Zu Ihrer Sicherheit und der Ihrer Familie sollten Sie nicht auf Betten springen, insbesondere bei hydraulischen Konstruktionen. Wenn Sie das Bett bewegen müssen, heben Sie es bitte mit mehreren Personen an und schieben Sie es nicht, um den Boden nicht zu verkratzen und die Stabilität des Bettes nicht zu beeinträchtigen.




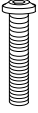
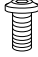
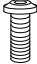
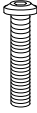

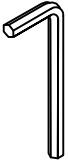
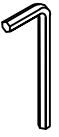

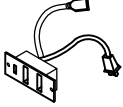
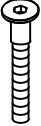


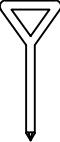
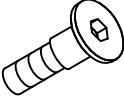


Part List N601P288312

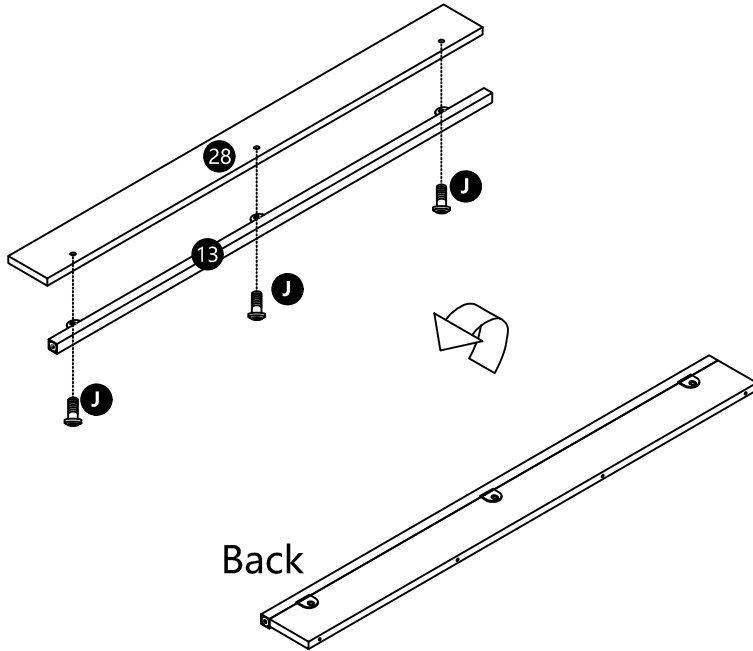
1/2


<p>1</p>  <p>2PCS</p>	<p>2</p>  <p>2PCS</p>	<p>3</p>  <p>2PCS</p>	<p>4</p>  <p>2PCS</p>	<p>7</p>  <p>10PCS</p>
<p>10</p>  <p>1PC</p>	<p>11</p>  <p>1PC</p>	<p>12</p>  <p>1PC</p>	<p>13</p>  <p>1PC</p>	<p>14</p>  <p>1PC</p>
<p>17</p>  <p>Drawer board</p> <p>1PC</p>	<p>19</p>  <p>Iron buckle</p> <p>4PCS</p>	<p>21</p>  <p>1PC</p>	<p>22</p>  <p>1PC</p>	<p>23</p>  <p>1PCS</p>
<p>25</p>  <p>1PC</p>	<p>26</p>  <p>1PC</p>	<p>27</p>  <p>1PC</p>	<p>28</p>  <p>1PC</p>	<p>29</p>  <p>1PC</p>
<p>30</p>  <p>1PC</p>	<p>31</p>  <p>Pulley</p> <p>4PCS</p>	<p>32</p>  <p>Black plastic buckle (A)</p> <p>2PCS</p>	<p>33</p>  <p>Black plastic buckle (B)</p> <p>2PCS</p>	<p>34</p>  <p>Light strip</p> <p>1PC</p>
<p>35</p>  <p>Power cord</p> <p>1PC</p>	<p>36</p>  <p>Remote control</p> <p>1PC</p>	<p>37</p>  <p>Strap magic tape</p> <p>4PCS</p>	<p>38</p>  <p>1PC</p>	

Part List N601P288312
2/2

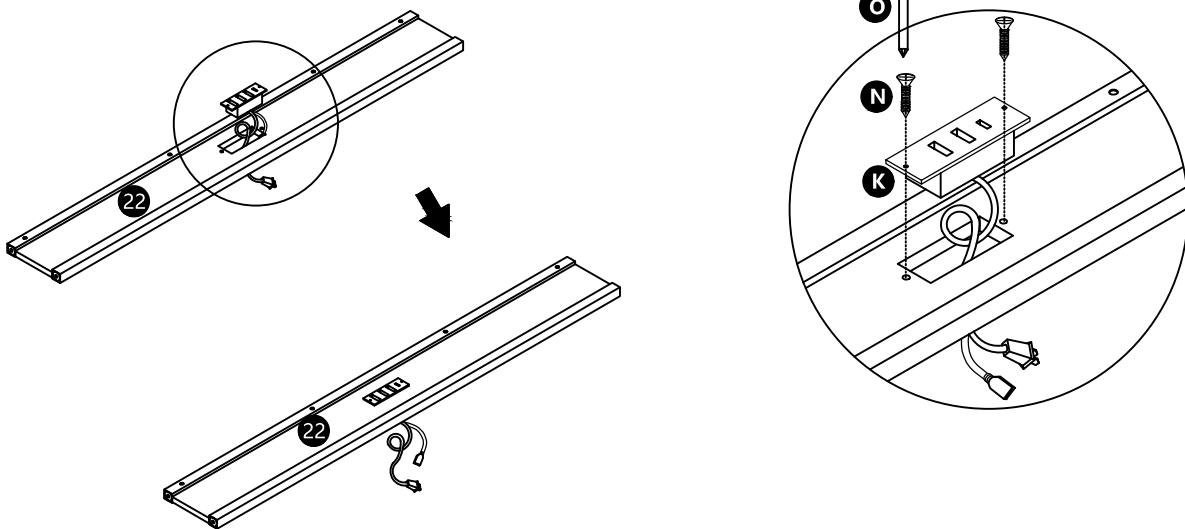
<p>Ⓐ</p>  <p>6*15 4+1PCS</p>	<p>Ⓑ</p>  <p>M6*45 10+2PCS</p>	<p>Ⓒ</p>  <p>M8*12 12+2PCS</p>	<p>Ⓓ</p>  <p>M8*20 10+2PCS</p>	<p>Ⓕ</p>  <p>M8*48 4PCS</p>
<p>Ⓖ</p>  <p>M4/M6 1PC</p>	<p>Ⓖ</p>  <p>M5/M8 1PC</p>	<p>Ⓖ</p>  <p>M3/M5 1PC</p>	<p>Ⓙ</p>  <p>M6*10 3PCS</p>	<p>Ⓚ</p>  <p>1PC</p>
<p>Ⓛ</p>  <p>M5*35 8+1PCS</p>	<p>Ⓜ</p>  <p>M8*Ø22 2PCS</p>	<p>Ⓝ</p>  <p>M3*12 2PCS</p>	<p>Ⓞ</p>  <p>1PC</p>	<p>Ⓡ</p>  <p>2PCS</p>

1

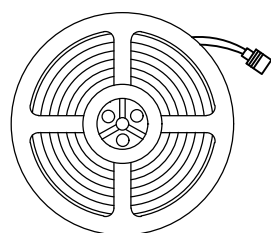


J	 M6*10	3PCS
---	--	------

2



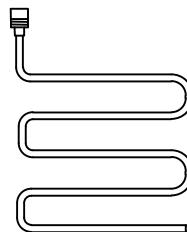
N	 M3*12	2PCS
---	--	------



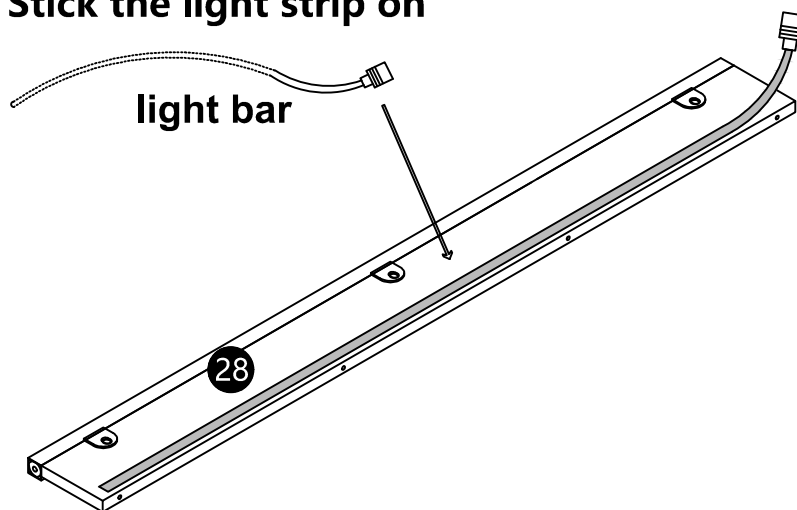
34 light bar



unfold

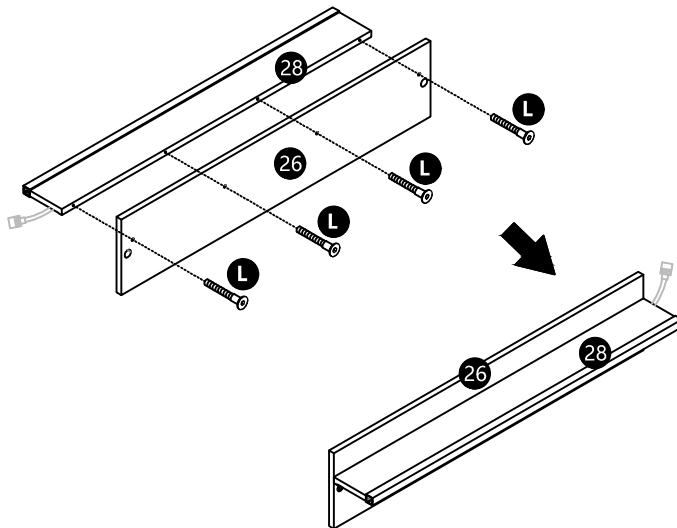


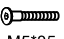
Stick the light strip on



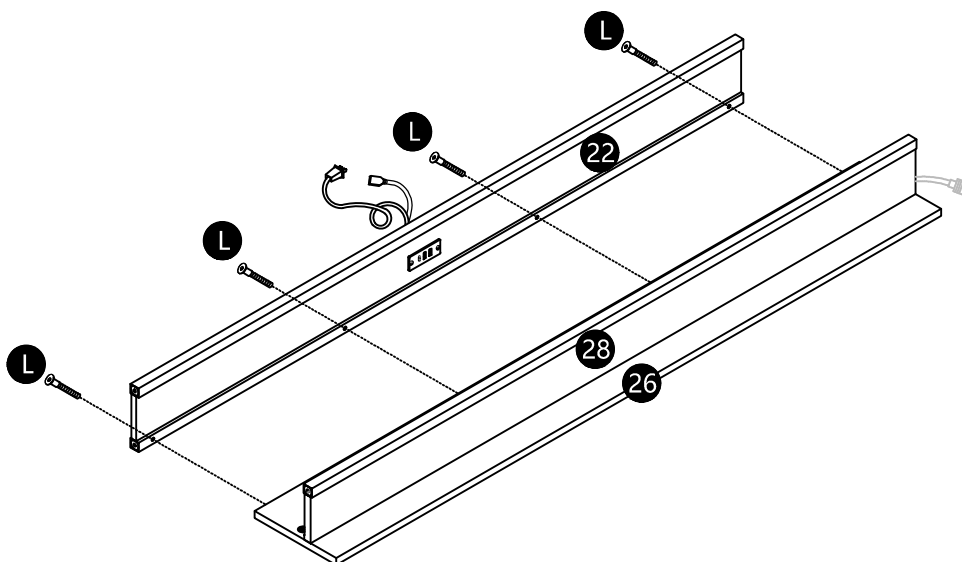
**Please pay attention to protect the light strip
from damage**

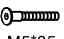
4



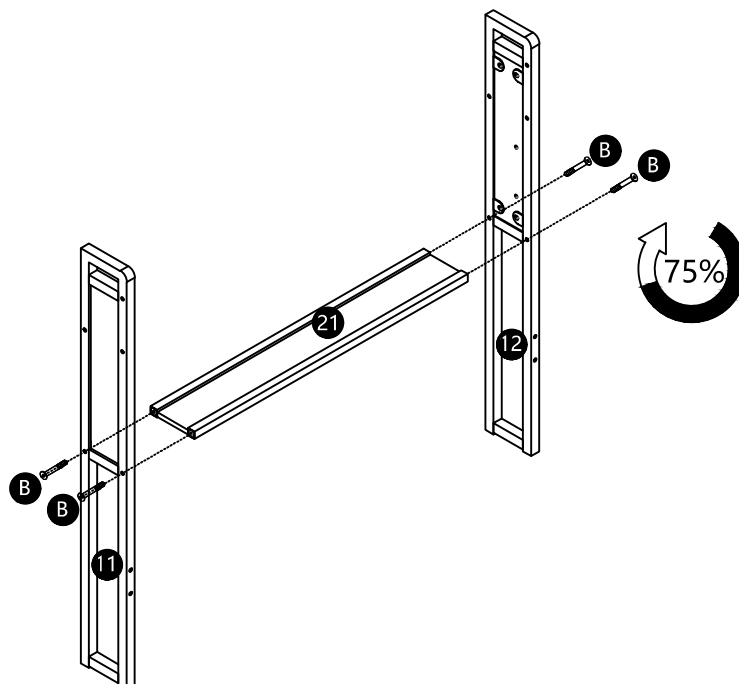
(L)	 M5*35	4PCS
-----	---	------

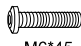
5



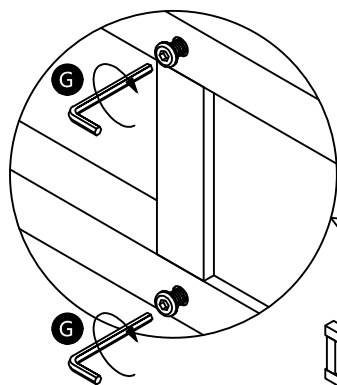
(L)	 M5*35	4PCS
-----	---	------

6

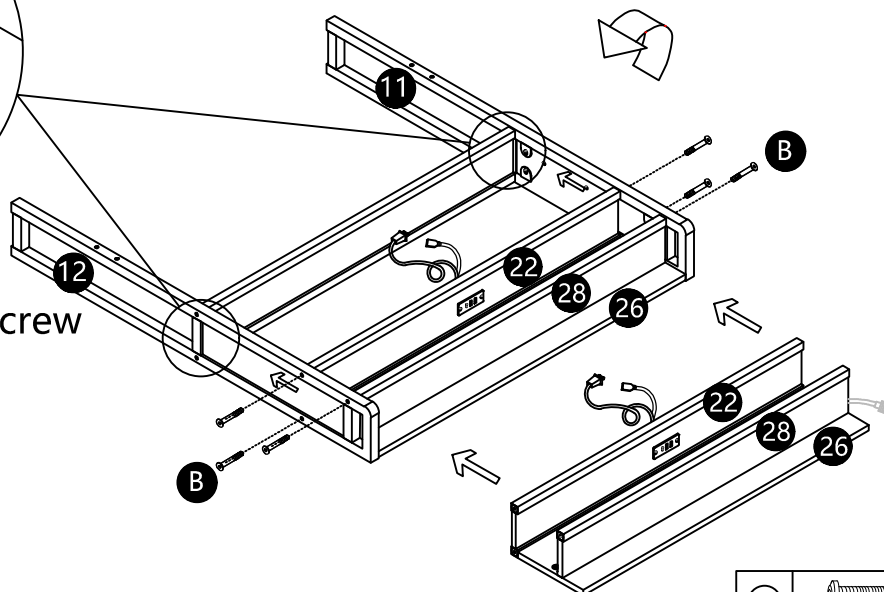



(B)		4PCS
	M6*45	

7

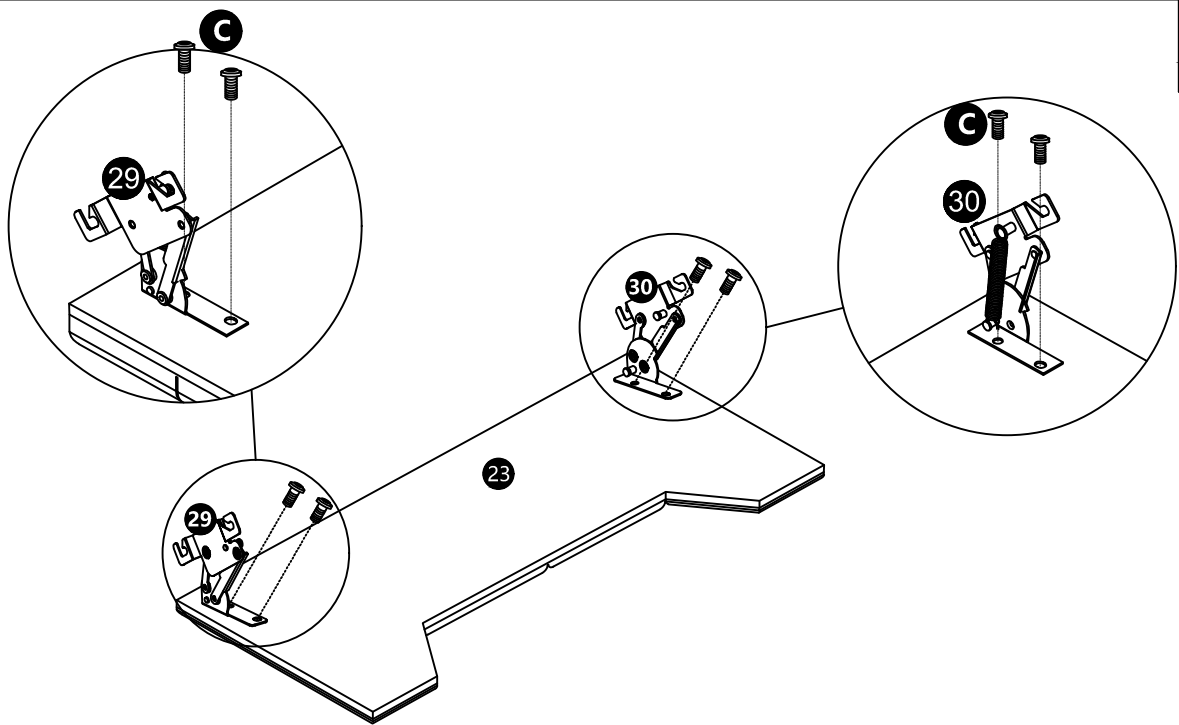


Finally tighten the screw



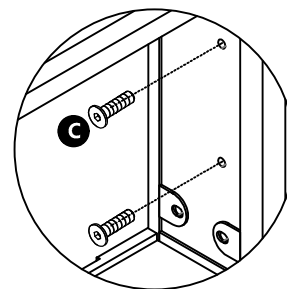
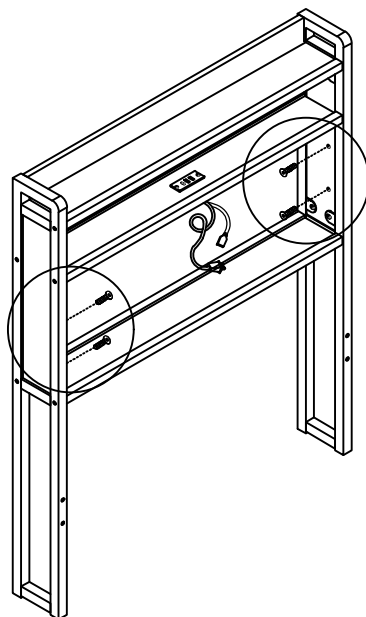
(B)		6PCS
	M6*45	

8



C	 M8*12	4PCS
---	---	------

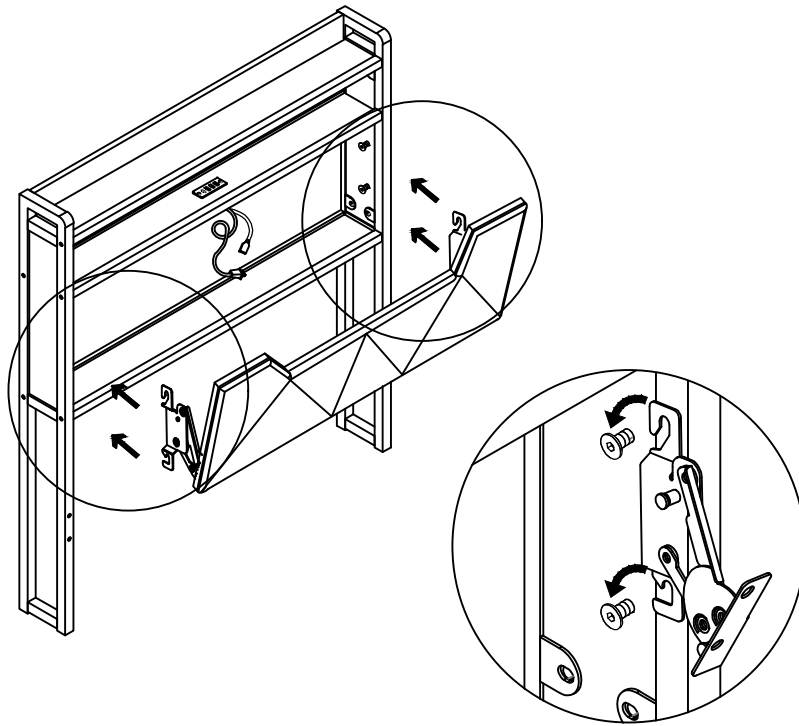
9



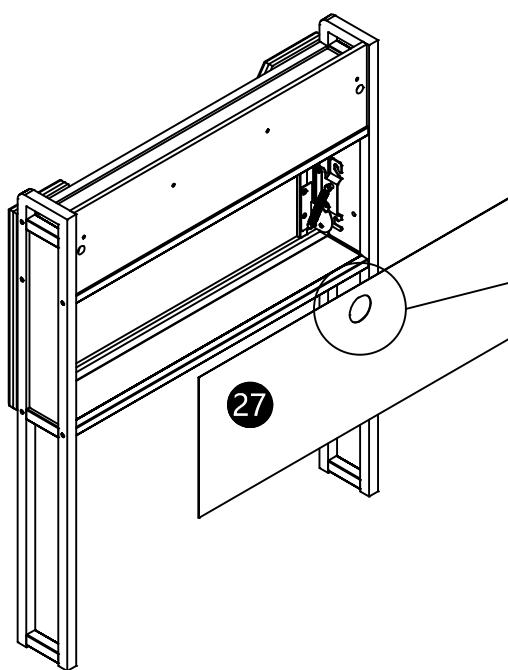
Tighten the screws to a depth of 30%

C	 M8*12	4PCS
---	--	------

10



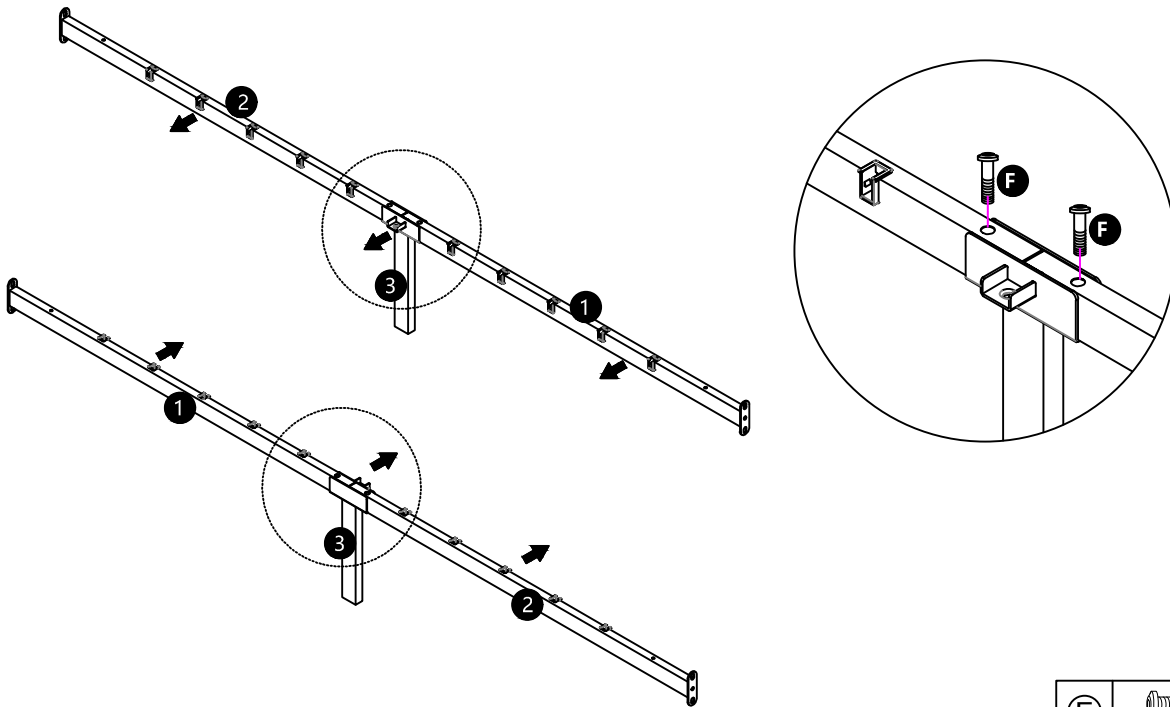
11

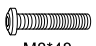


NO.1 Open accessory(38)

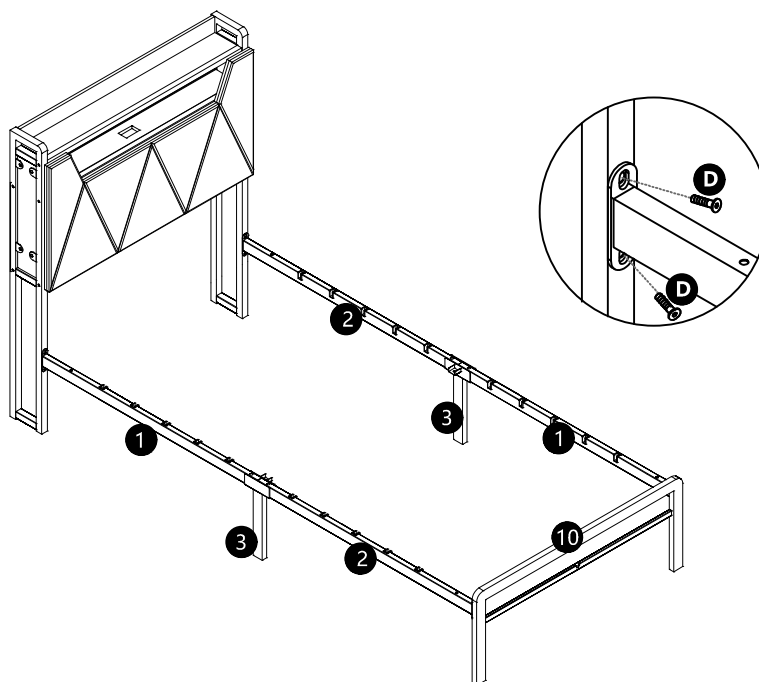
NO.2 Place them separately on the front and back of the (27) hole and press them tightly

12



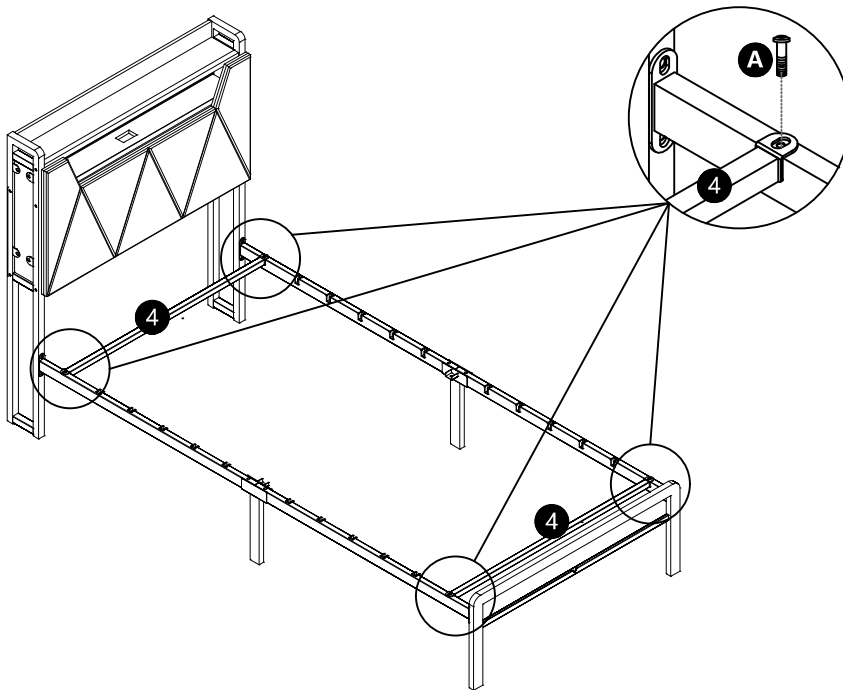
(F)		4PCS
	M8*48	


13



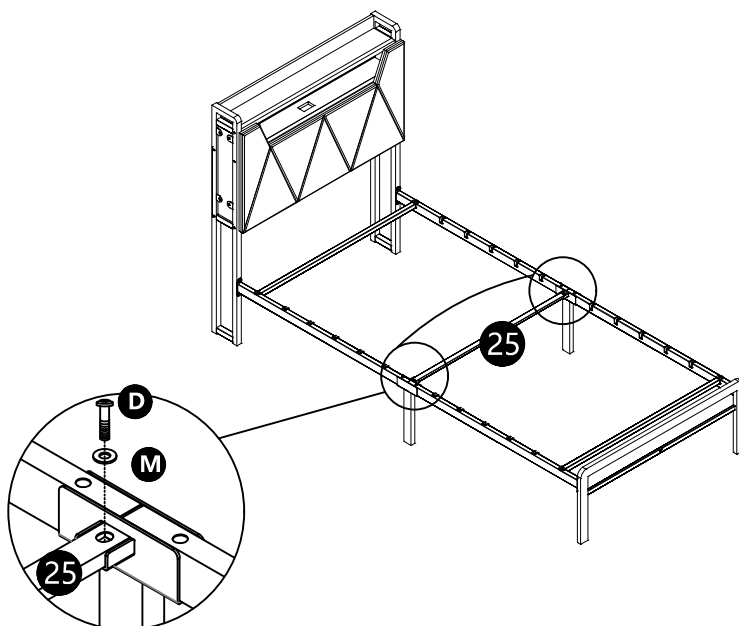
(D)		8PCS
	M8*20	

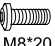

14

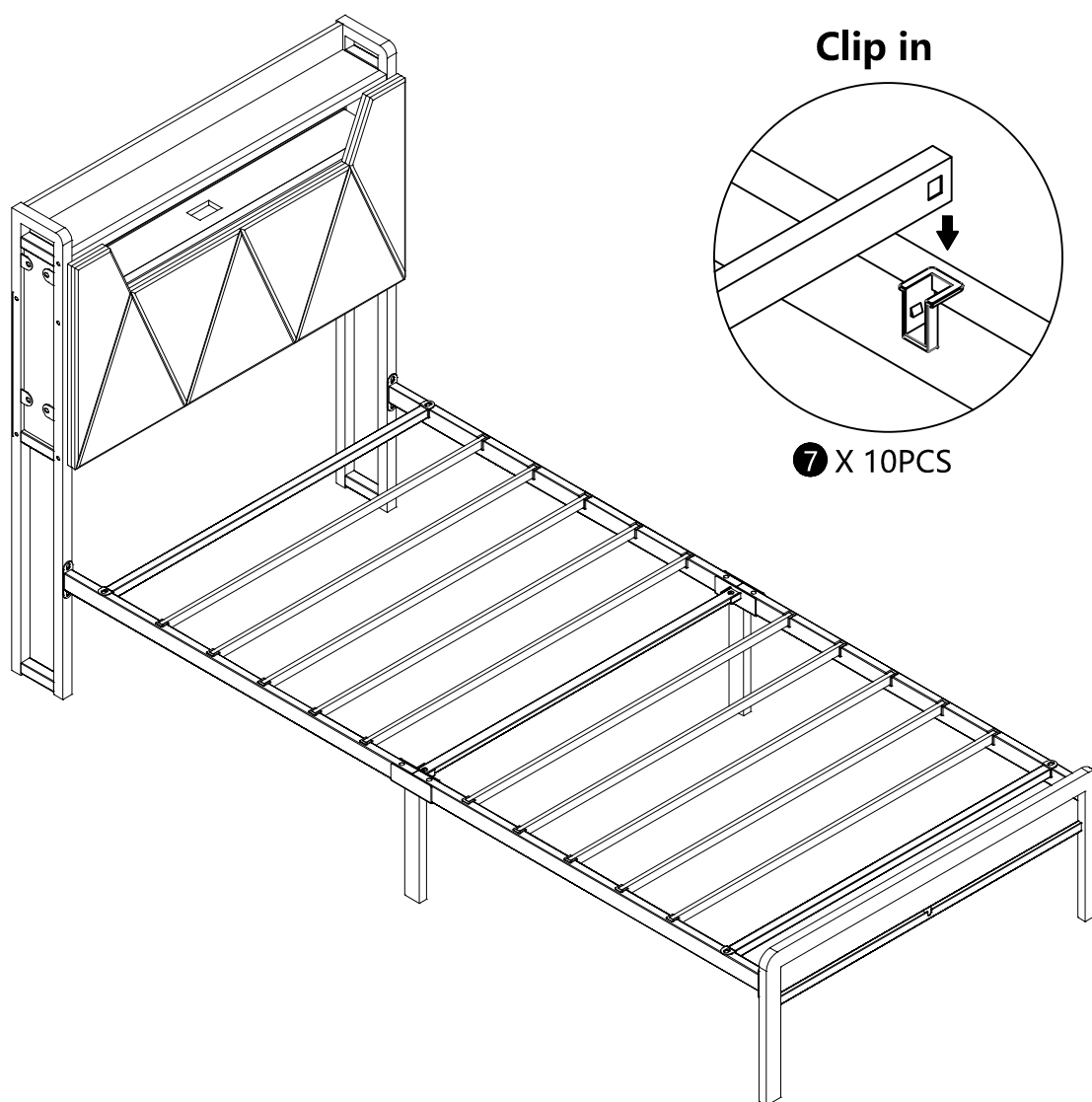


(A)		4PCS
	M6*15	

15



(D)		2PCS
	M8*20	
(M)		2PCS
	M8*Ø22	



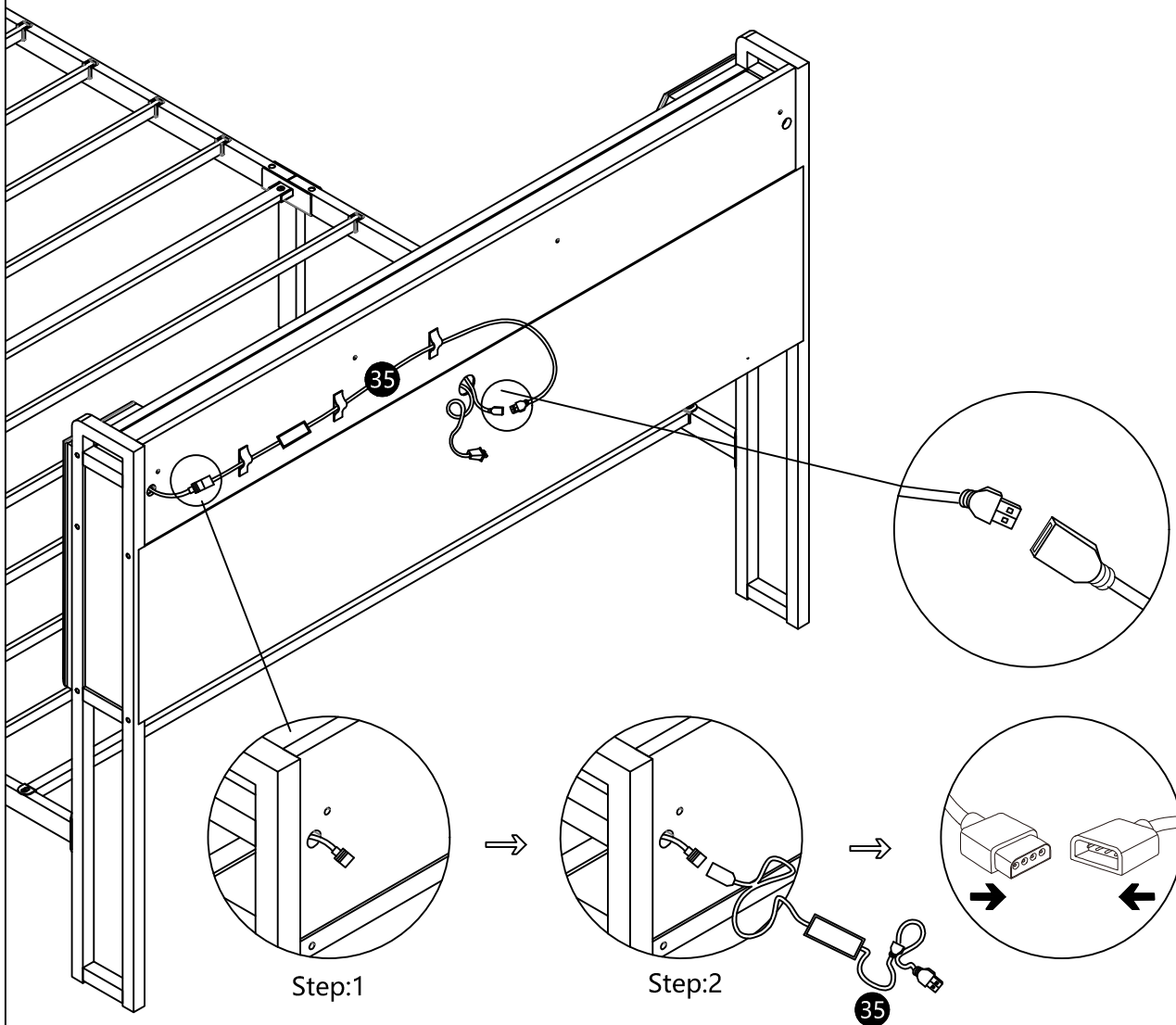
37 Strap magic tape

Anti stick paper Gluing surface velcro

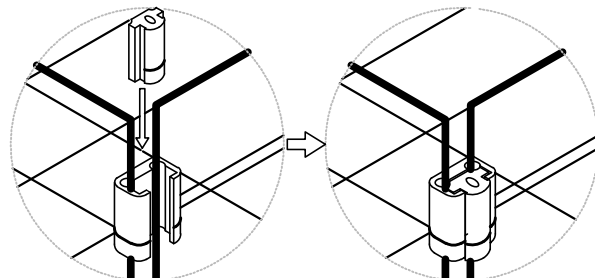
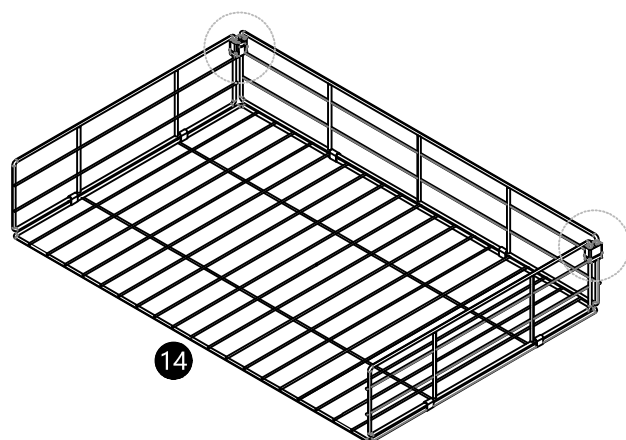
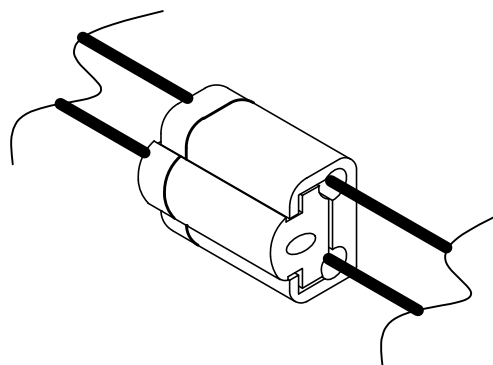
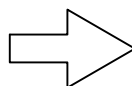
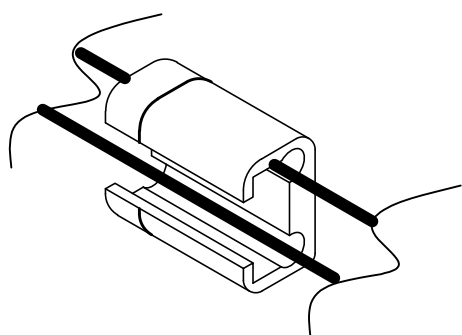
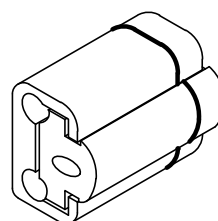
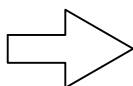
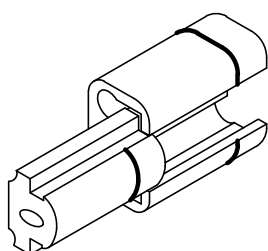
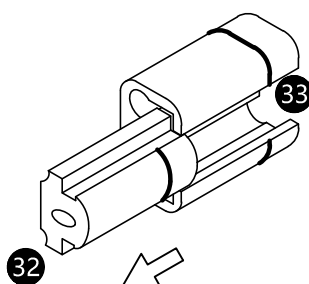
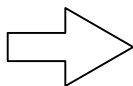
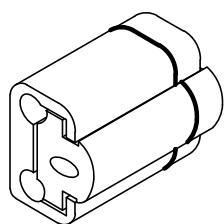
*When the wires are disordered, tear off the anti stickpaper, paste it on the place where the wires pass, and then bind the wires.

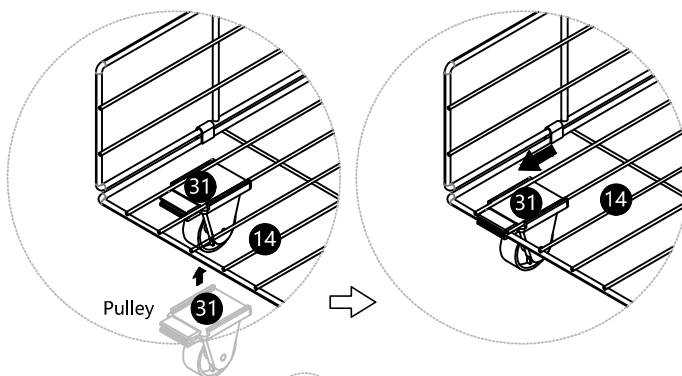
*Wenn die Drähte ungeordnet sind, reißen Sie das Antihaftpapier ab, kleben Sie es auf die Stelle, an der die Drähte verlaufen, und verbinden Sie die Drähte dann.

*Lorsque les fils sont désordonnés, déchirer le papier anti-collant, le coller à l'endroit où passent les fils, puis lier les fils.



!! The USB plug needs to be connected to a power source.

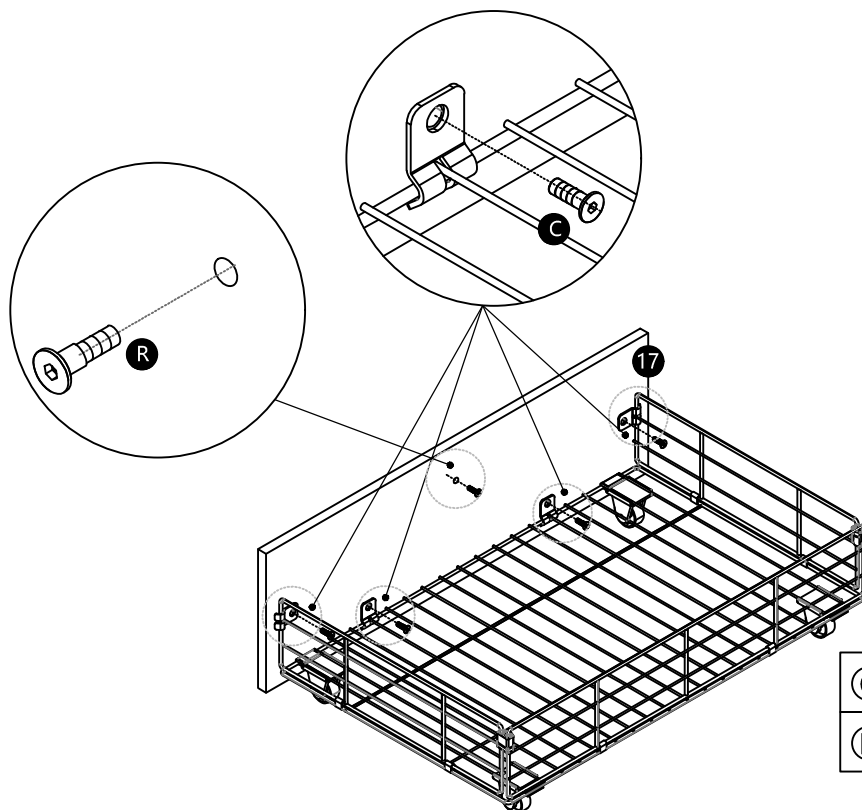
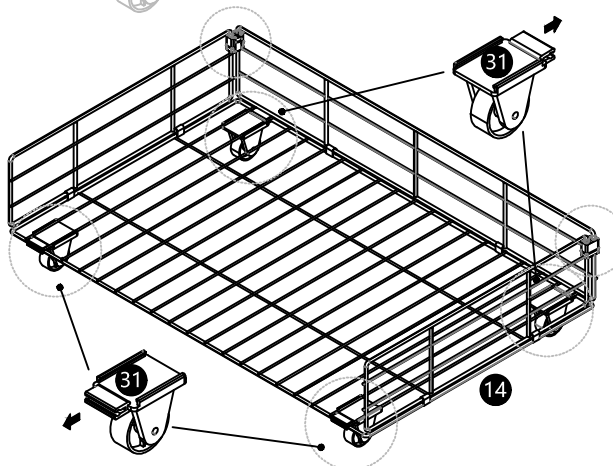






Pulley

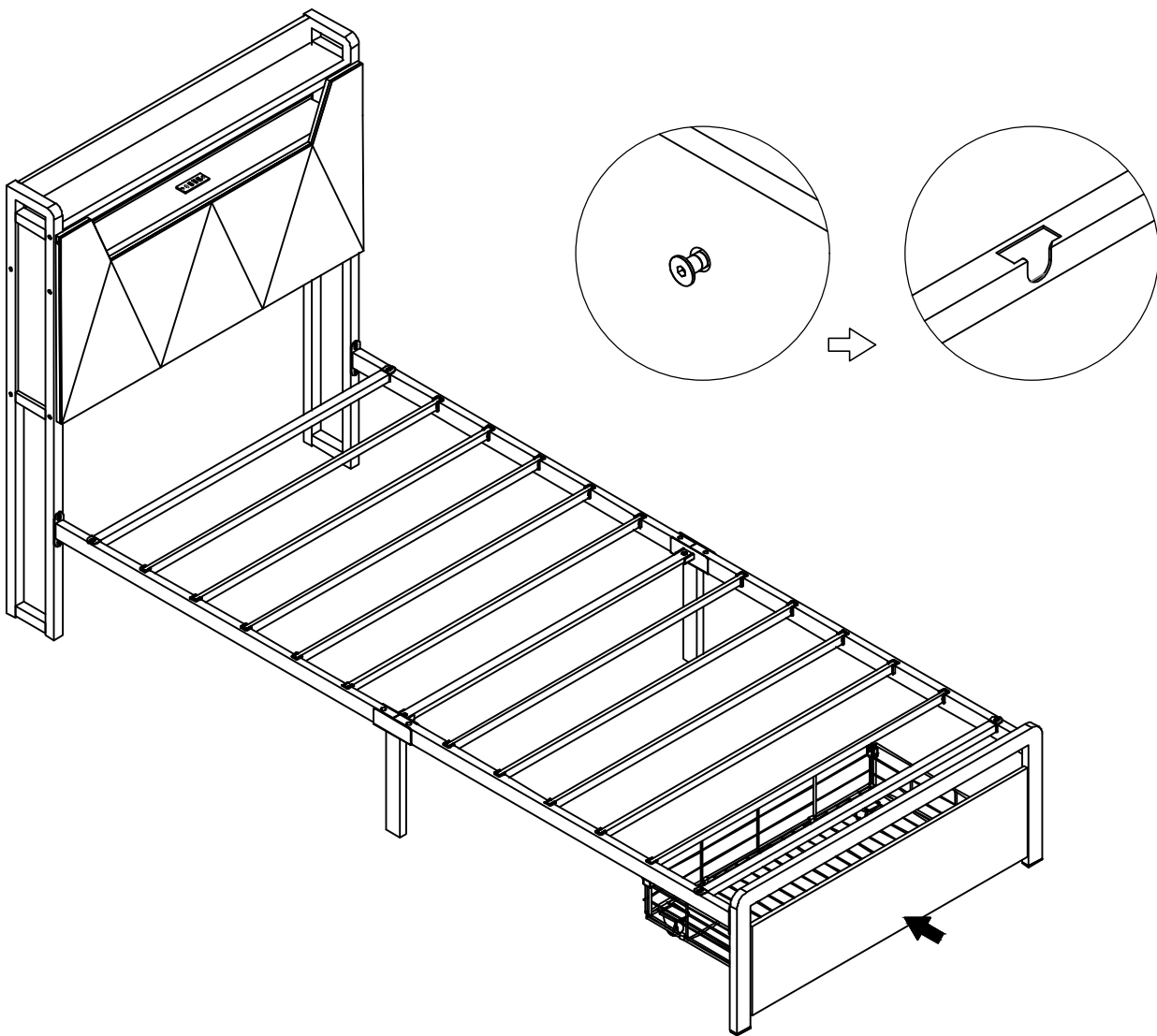
Pulley

Pay attention to the orientation
Attention à l'orientation
Achten Sie auf die Ausrichtung



Ⓒ	 M8*12	4PCS
Ⓓ	 M8*15	1PCS

Lift the panel to allow the "C" to match the hole to secure the drawers. Same way for pulling out.



NOTE:The battery in the remote control requires you to purchase and install it yourself.
Model:CR2025 3.V



Reference No. : WTN23D07163421R1Z
Applicant : Guangdong Zhongong Electrical Technology Co., LTD
Address : 701, Building 29, Zhifu Garden, Xingtan Town,
Shunde District, Foshan City
Manufacturer : Guangdong Zhongong Electrical Technology Co., LTD
Address : 701, Building 29, Zhifu Garden, Xingtan Town,
Shunde District, Foshan City
Product : Furniture socket
Model No. : See model list
Technical data : 250V AC, 50-60Hz 13A USB, output:5.0V 2A 10W



Test Standards:

BS 1363-2: 2016+A1:2018

BS EN IEC 62368-1:2020/A11:2020

The above product has been tested by us with the listed standards and found in compliance with the Electrical Equipment (Safety) Regulations 2016 of United Kingdom (S.I. 2016 No.1101). It is possible to use UKCA marking to demonstrate the compliance with the regulations.

Audio/video, information and communication technology equipment- Part 1:Safety requirements

13 A plugs, socket outlets, adaptors and connection units-Part 2: Specification for 13 A switched and unswitched socket outlets

The referred test report(s) show that the product complies with standard(s) recognized as giving presumption of compliance with the essential requirements in the above mentioned UK regulations. Other relevant UK regulations have to be observed.

After preparation of the necessary technical documentation as well as the declaration of conformity, the UKCA marking as shown below can be affixed on the equipment under the sole responsibility of the manufacturer.



Manager: Deval Qin
Date: 2024-07-08

The statement is based on a single evaluation of the sample of above mentioned product. It does not imply an assessment of the whole production.

Waltek Testing Group Co., Ltd.

Hotline:400-840-2288

E-mail:info@waltek.com.cn

Http://www.waltek.com.cn

Ver.02. 29.07.2022, WALTEK is registered trademark. Utilisation and application requires prior approval.

Attachment

Model list



Reference No.:WTN23D07163421R1Z

Product name	Model name	Differences	differences
Furniture socket	ZG-JJY-1	13A 250V AC , USB output:5V 2A 10W	1-position socket without switch and USB
	ZG-JJY-1UK		1-bit socket with switch and USB
	ZG-JJY-2		2-position socket without switch and USB
	ZG-JJY-2UK		2-bit socket with switch and USB
	ZG-JJY-3		3-position socket without switch and USB
	ZG-JJY-3UK		3-bit socket with switch and USB
	ZG-JJY-4		4-position socket without switch and USB
	ZG-JJY-4UK		4-bit socket with switch and USB
	ZG-JJY-5		5-position socket without switch and USB
	ZG-JJY-5UK		5-bit socket with switch and USB
	ZG-JJY-6		6-position socket without switch and USB
	ZG-JJY-6UK		6-bit socket with switch and USB
	ZG-JJY-7		7-position socket without switch and USB
	ZG-JJY-7UK		7-bit socket with switch and USB
ZG-JJY-8	8-position socket without switch and USB		
ZG-JJY-8UK	8-bit socket with switch and USB		

=====End of Attachment=====

Waltek Testing Group Co., Ltd.

Hotline:400-840-2288

E-mail:info@waltek.com.cn

Http://www.waltek.com.cn

Ver.02. 29.07.2022, WALTEK is registered trademark. Utilisation and application requires prior approval.

Attestation of Compliance

Declaration No.:	MK23110141P01-E01
Name and address of Applicant:	Shenzhen Hongzhengyu Technology Co., LTD Shenzhen baoan district rock street industrial science and technology industrial park of 2 Haitian lanyu 3 5 floor of A
Name and address of Manufacturer:	Shenzhen Hongzhengyu Technology Co., LTD Shenzhen baoan district rock street industrial science and technology industrial park of 2 Haitian lanyu 3 5 floor of A
Product name:	RGB package
Rated:	DC5V
Product model(s):	HZY-5050RGB-30D-90R-DC5V, HZY-5050RGB-30D-30R-DC5V, HZY-5050RGB-60D-60R-DC5V, HZY-5050RGB-60D-180R-DC5V, HZY-5050RGB-18D-18R-DC5V
Product trademark:	N/A

This Attestation of Compliance confirms that the product meets the requirements of the following standard.

BS EN IEC 55015:2019+A11:2020
IEC 61547:2020
BS EN IEC 61000-3-2:2019
BS EN 61000-3-3:2013/A2:2021

The Attestation of Compliance has been carried out in accordance with individual rules and conditions agreed with the applicant. Evaluation has been carried out in accordance with:

Test report(s) No.:	MK23110141P01-E01
Test conducted by:	TMC Testing Services (Shenzhen) Co., Ltd.
Declaration issue date:	December 5, 2023

Notes:

This Attestation of Compliance is issued according to the Great Britain legislation Electromagnetic Compatibility Regulations 2016(SI 2016 No. 1091). It confirms that the listed products complies with all essential requirements of the Regulations and applies only to the sample and its technical documentation to TMC Testing Services (Shenzhen) Co., Ltd. for testing.

After preparation of the necessary technical documentation (which must be kept for up 10 years after the product is placed on the GB market) as well as the UK Declaration of Conformity, the required UKCA marking can be affixed on the product. Other relevant Regulations have to be observed.

TMC Testing Services (Shenzhen) Co., Ltd.

t:86-755-86642861 cert@tmc-lab.com www.tmc-lab.com

1st Floor, Block A1, Zone A, Xinshidai Gongrong Industrial Park, No. 2, Shihuan Road, Shiyuan Street, Baoan District, Shenzhen, China



Vivian Jiang
Lab Director
Vivian Jiang

**UK
CA**



Attestation of Compliance

Reference No. : LCSA06064121EE

Applicant : Dongguan Yihong Hardware Electronics Co., Ltd

Address : Room 1106, No.2, Shangheng Road, Chang ' an Town, Dongguan

Trade Mark : YH

Product : Bluetooth 2.4G remote controller

Model(s) : YH-284, YH-284-1, YH-284-2, YH-284-3, YH-284-4

Tested according to : BS EN 55032:2015+A11:2020
BS EN 55035:2017+A11:2020
BS EN IEC 61000-3-2:2019+A1:2021
BS EN 61000-3-3:2013+A2:2021

The submitted products have been tested by us with the listed standards.

This Attestation of Compliance is issued according to the UK legislation: Electromagnetic Compatibility Regulations 2016(SI 2016 No. 1091), Referred to as the UK EMC regulation. It confirms that the listed product complies with all essential requirements of the Electromagnetic Compatibility Regulations 2016(SI 2016 No. 1091) and applies only to the sample and its technical documentation submitted to Shenzhen LCS Compliance Testing Laboratory Ltd. for testing.

After preparation of the necessary technical documentation (Which must be kept for up to 10 years after the product is placed on the GB market) as well as the UK declaration of conformity, the required UKCA marking can be affixed on the product. Other relevant Regulations have to be observed.

UK CA

Date of issue: June 11, 2024

