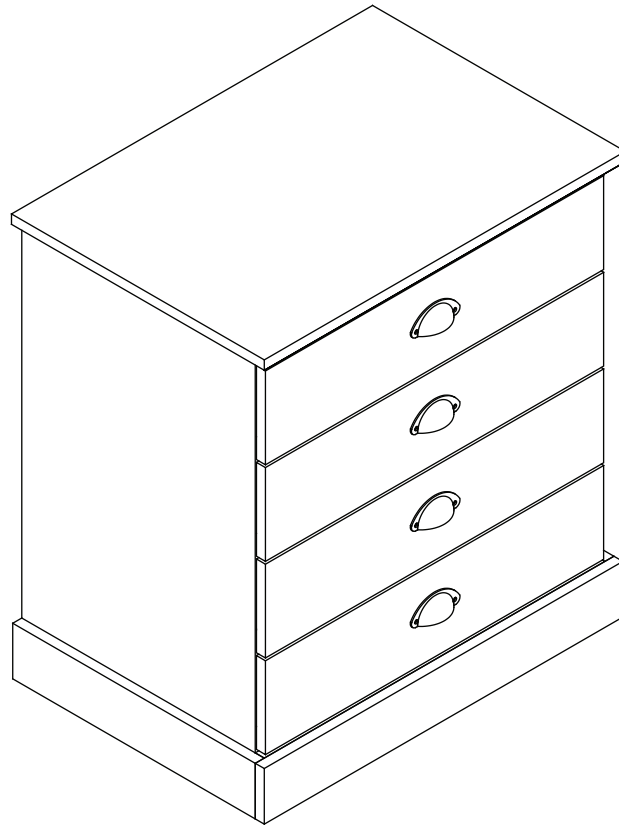


# Assembly Instructions

PWS-CD1101-LO  
4 DRAWER BEDSIDE TABLE



THIS INSTRUCTION BOOKLET CONTAINS **IMPORTANT** SAFETY INFORMATION. PLEASE READ AND KEEP FOR FUTURE REFERENCE.

## Do Not Return This Product!

Contact our customer service team for help first.

Monday-Friday 9am - 5pm CST

Visit: [support@cenports.com](mailto:support@cenports.com)



## **WARNING**

- Unit can tip over causing severe injury or death.
- Anchor unit to stud in wall (if instructed to).
- Do Not allow children to climb on unit.
- Put heavy items on lower shelves or drawers.



# Contact Us!

## Do NOT return this product!

Contact our friendly customer service team first for help



Visit [support@cenports.com](mailto:support@cenports.com)

# Helpful Hints

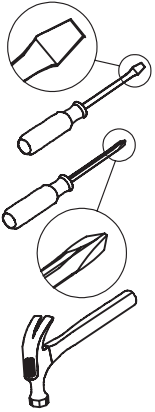
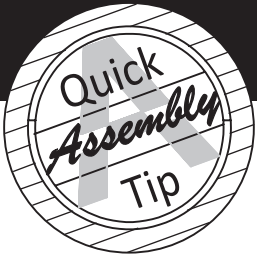
PEOPLE NEEDED FOR ASSEMBLY: **1-2**

ESTIMATED ASSEMBLY TIME: **30 MINUTE**

- Open your item in the area you plan to keep it to avoid excessive heavy lifting.
- Identify, sort and count the parts before attempting assembly.
- Compression dowels are lightly tapped in with a hammer.
- Slides are labeled with a **R** (right) and **L** (left) for proper placement.
- Make sure to always face the point on the top of the Cam Lock towards the outer edge.
- Use all the nails provided for the back panel and spread them out equally.
- Back panel must be used to make sure your unit is sturdy.
- Do NOT use harsh chemicals or abrasive cleaners on this item.
- Never push, pull, or drag your furniture.



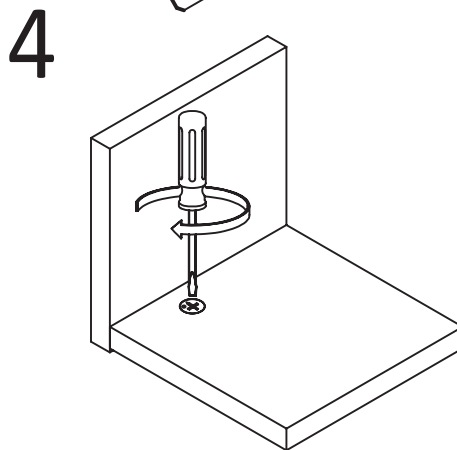
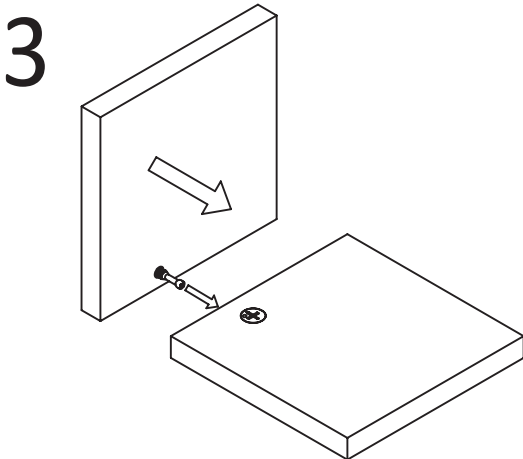
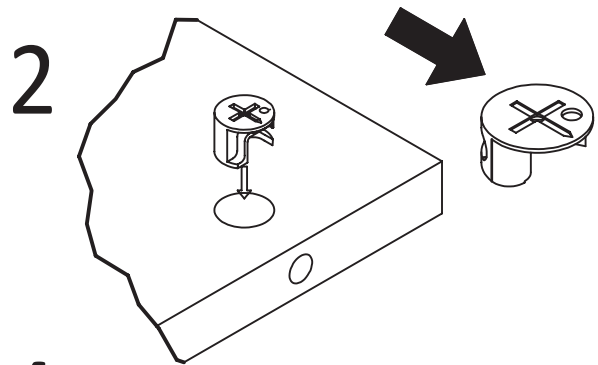
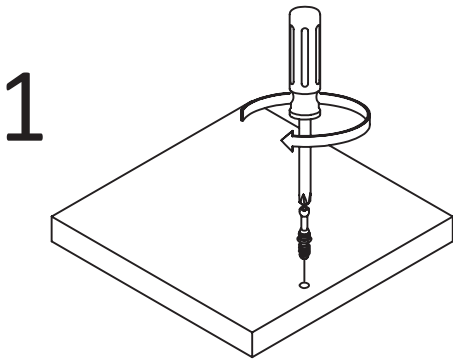
# Before You Start



- ✓ Read through each step carefully and follow the proper order
- ✓ Separate and count all your parts and hardware
- ✓ Give yourself enough room for the assembly process
- ✓ Have the following tools: Flat Head Screwdriver, #2 Phillips Head Screwdriver and Hammer
- ✓ Caution: If using a power drill or power screwdriver for screwing, please be aware to slow down and stop when screw is tight. Failure to do so may result in stripping the screw.

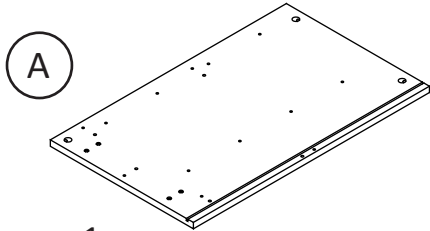
# Cam Lock Fastening System

This Cam Lock Fastening System will be used throughout the assembly process.

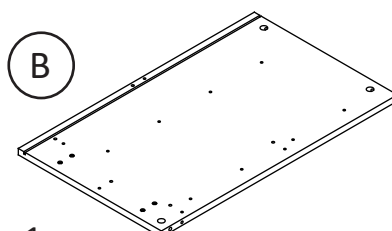


# Board Identification

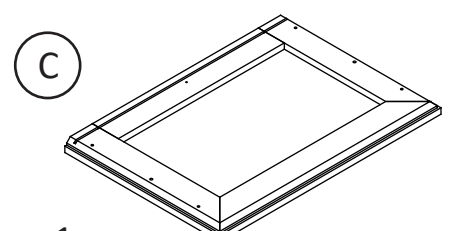
Not actual size



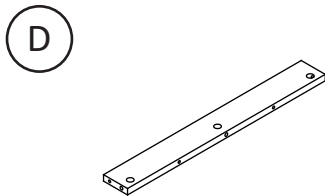
x1  
SIDE PANEL LEFT



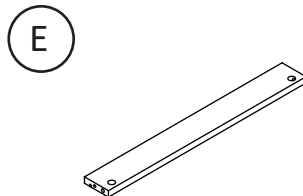
x1  
SIDE PANEL RIGHT



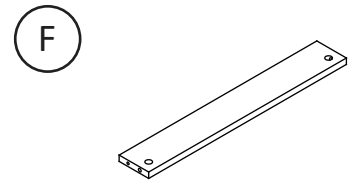
x1  
TOP PANEL



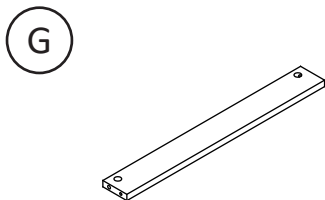
x1  
BOTTOM FRONT PANEL



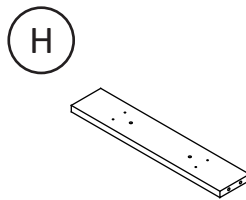
x1  
BOTTOM BACK PANEL



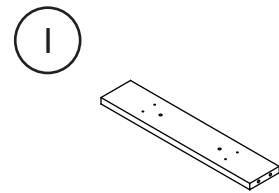
x2  
SUPPORT PANEL



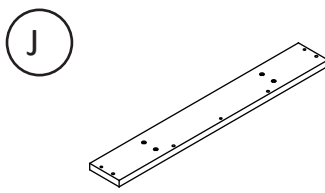
x1  
BOTTOM LEG PANEL



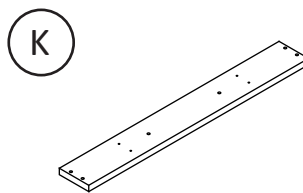
x1  
SIDE LEG PANEL LEFT



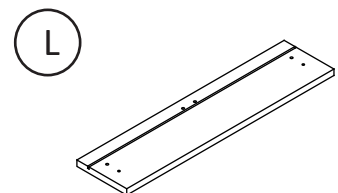
x1  
SIDE LEG PANEL RIGHT



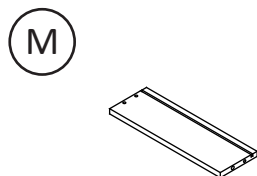
x1  
BOTTOM CENTER LEG  
PANEL



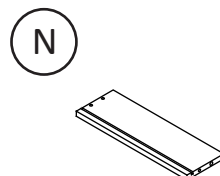
x1  
FRONT BOTTOM PANEL



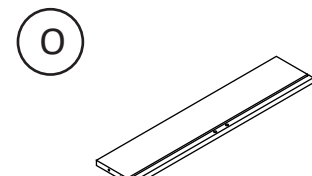
x4  
DRAWER FRONT PANEL



x4  
DRAWER SIDE LEFT  
PANEL



x4  
DRAWER SIDE RIGHT  
PANEL

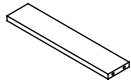


x4  
DRAWER BACK PANEL

# Board Identification

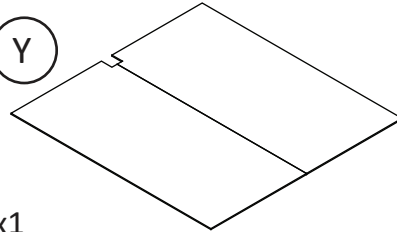
Not actual size

P



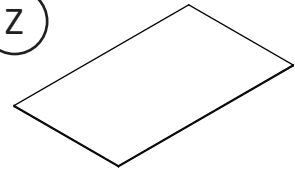
x4  
DRAWER SUPPORT  
PANEL

Y



x1  
BACKPLY PANEL

Z



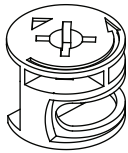
x4  
DRAWER BOTTOM  
PANEL

# Part List

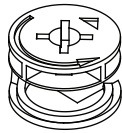
Not Actual Size



x25  
Minifix Bolt



x17  
Cam Lock  
12-15



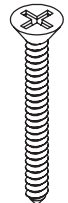
x8  
Cam Lock  
9-15



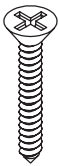
x50  
Wood Dowel  
6 X 30



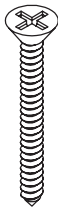
x17  
Csk Screw  
3.5 X 15



x16  
Csk Screw  
4.7 X 38



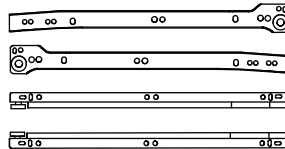
x12  
Csk Screw  
4 X 25



x1  
Csk Screw  
4 X 38



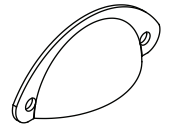
x16  
Euro Screw  
6 X 9



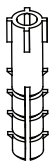
x4 Set  
Drawer Slide  
300mm



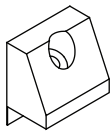
x8  
Csk Screw  
6 X 1/2



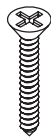
x4  
Pocket Handle  
6 X 1/2



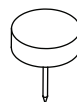
x1  
Wall Plug



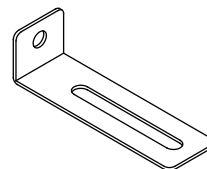
x12  
Backply Stopper



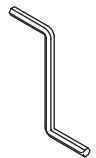
x12  
Csk Screw  
3.1 X 20



x5  
Nail Leg

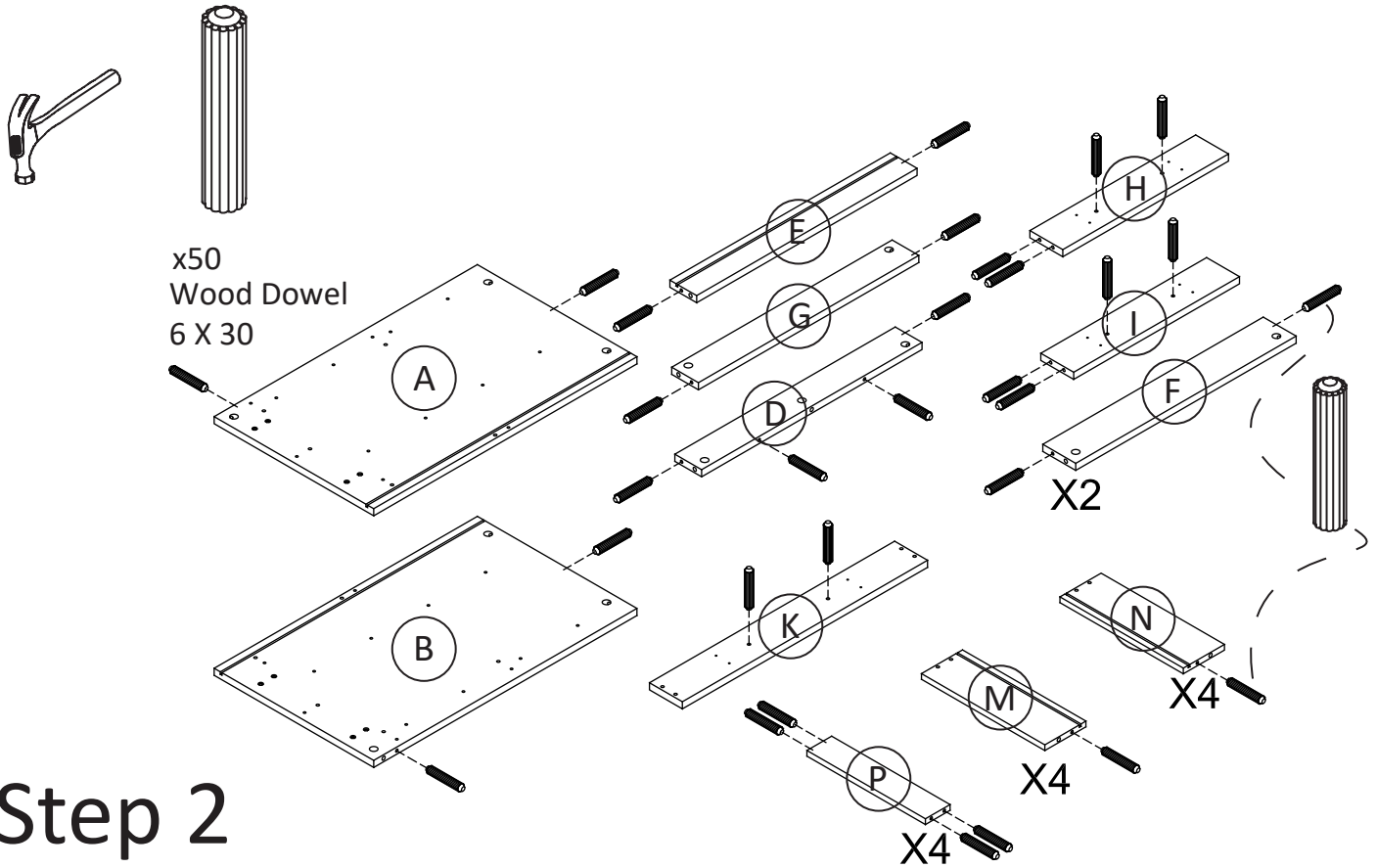


x1  
L-mounting  
Bracket

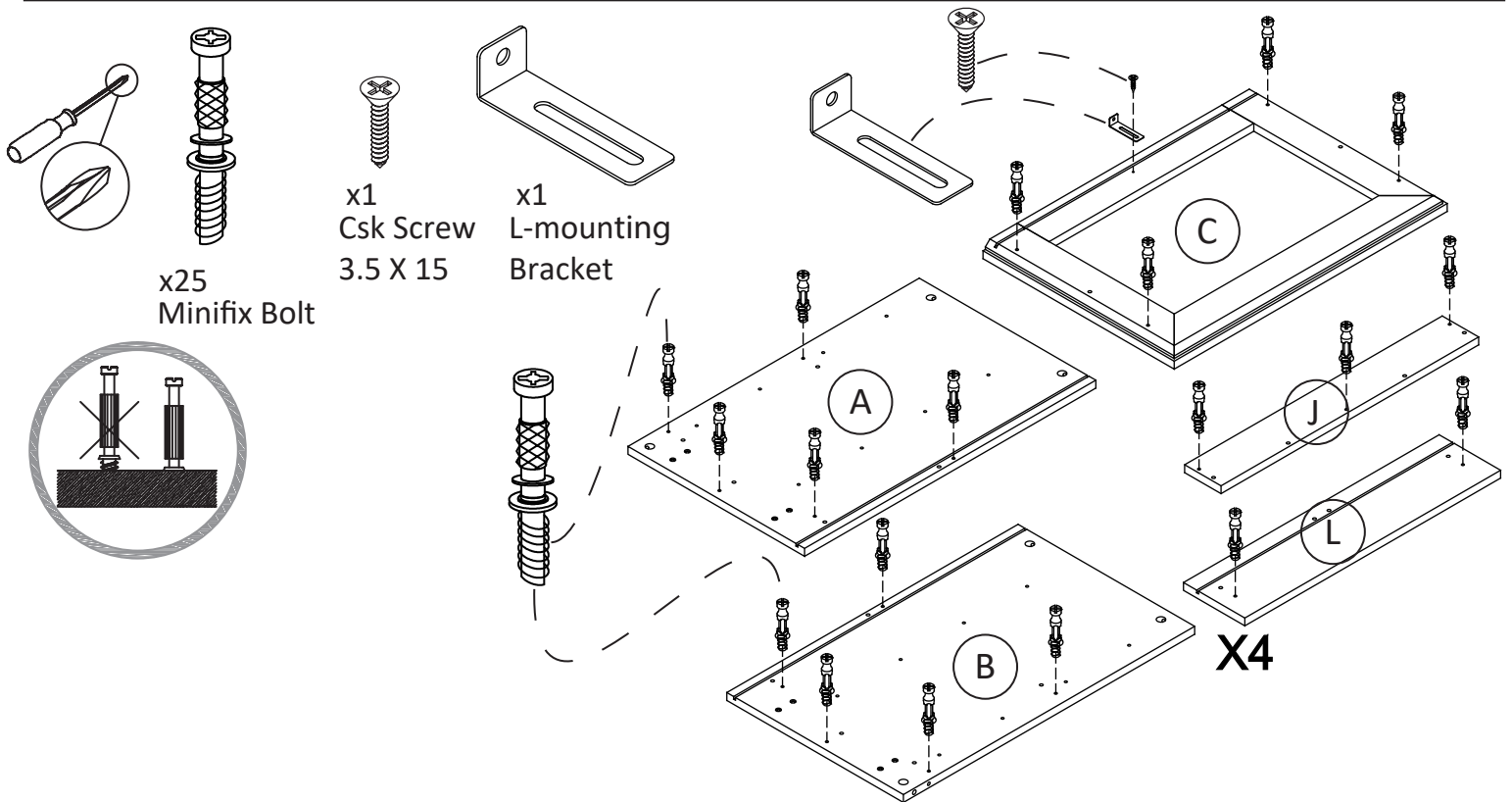


x1  
Allen Key M4

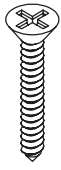
# Step 1



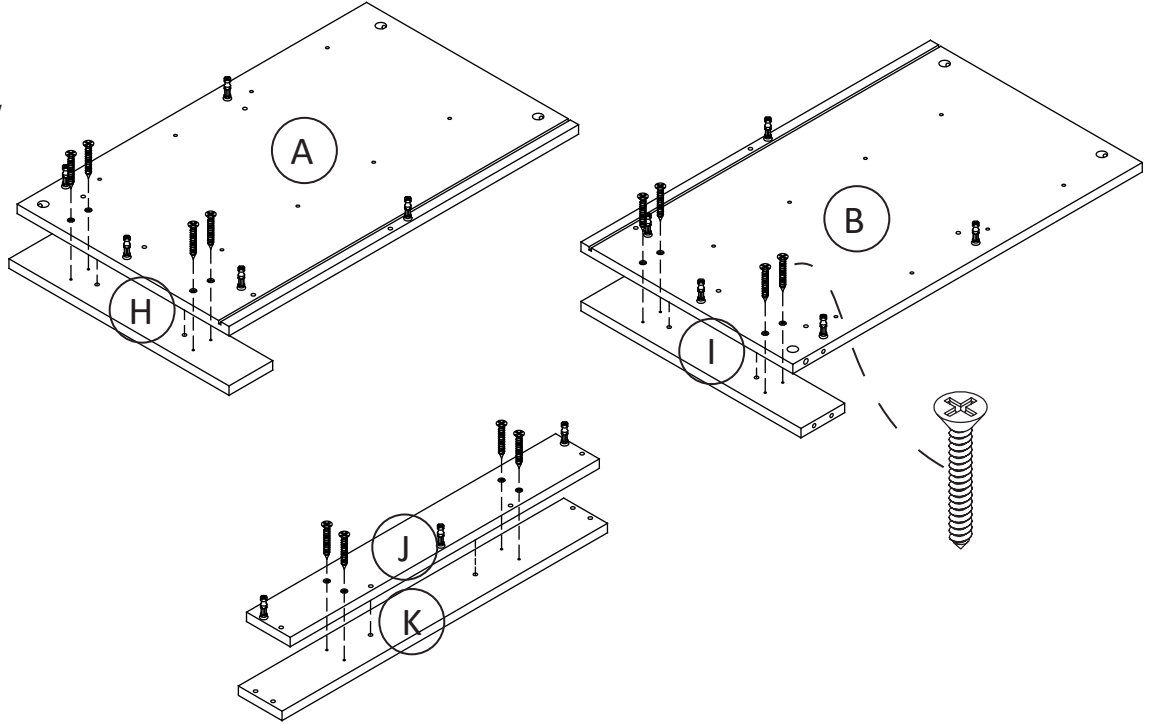
# Step 2



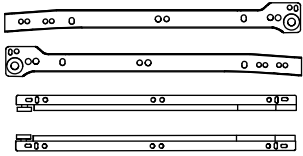
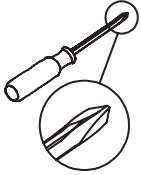
# Step 3



x12  
Csk Screw  
4 X 25



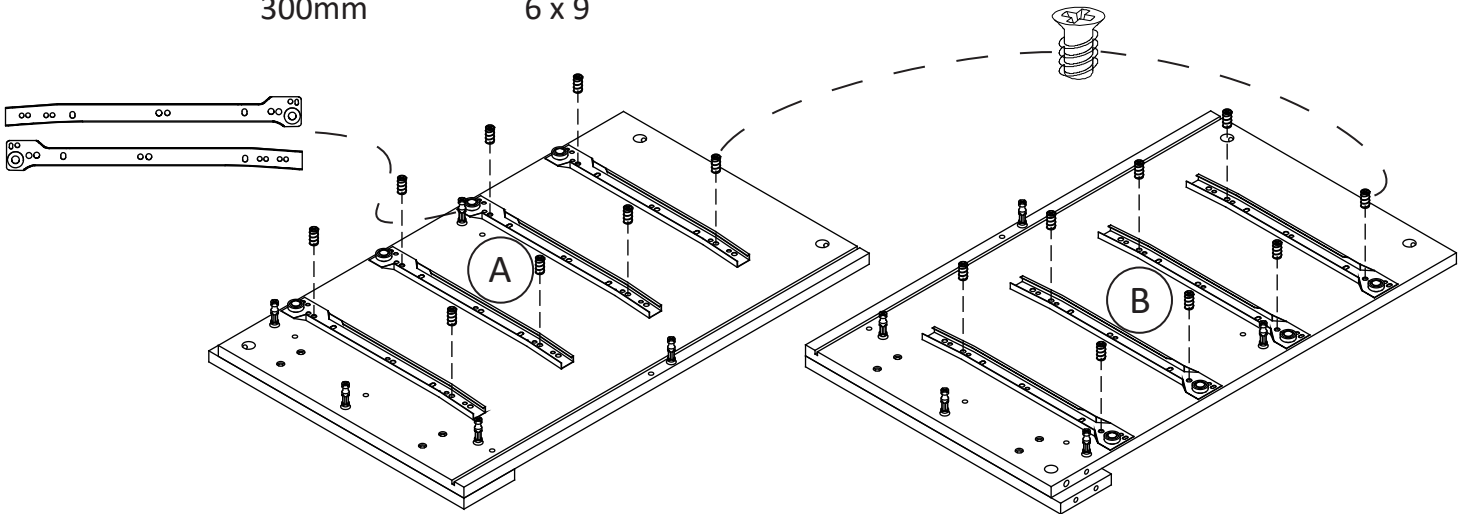
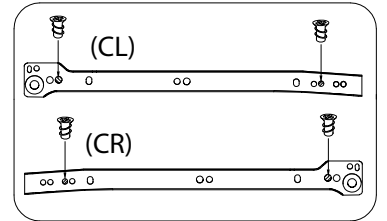
# Step 4



x4 Set  
Drawer Slide  
300mm

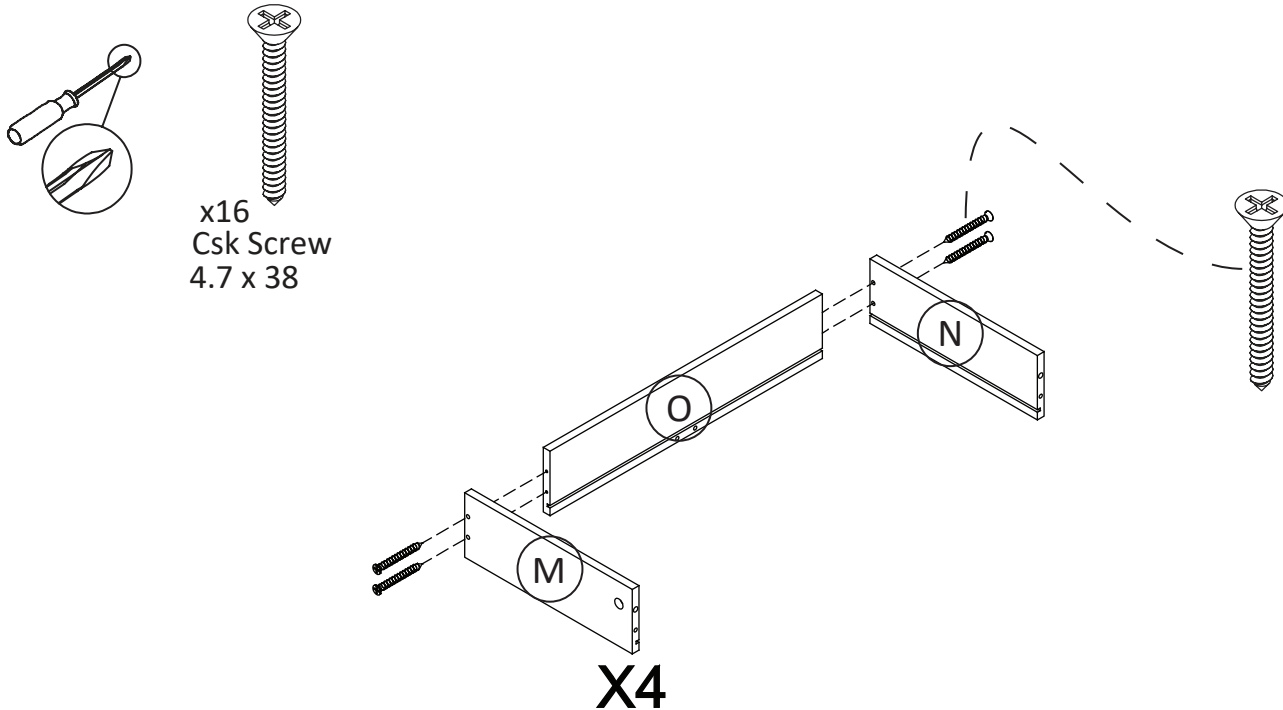


x16  
Euro Screw  
6 x 9



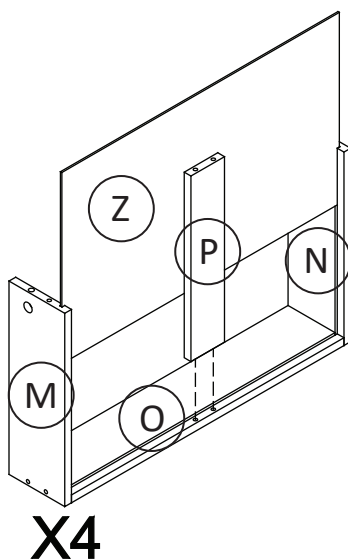
# Step 5

---

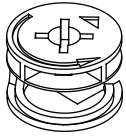
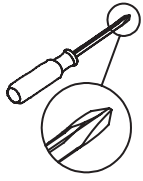


# Step 6

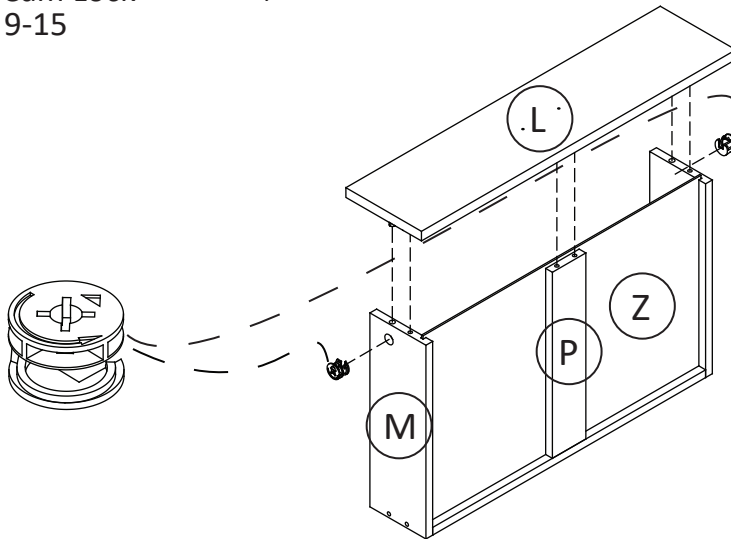
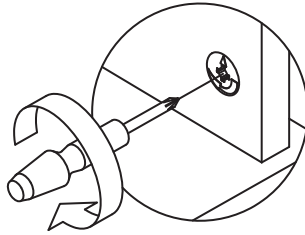
---



# Step 7

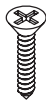


x8  
Cam Lock  
9-15

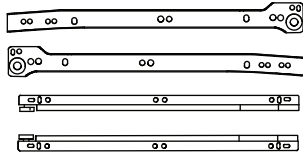


**X4**

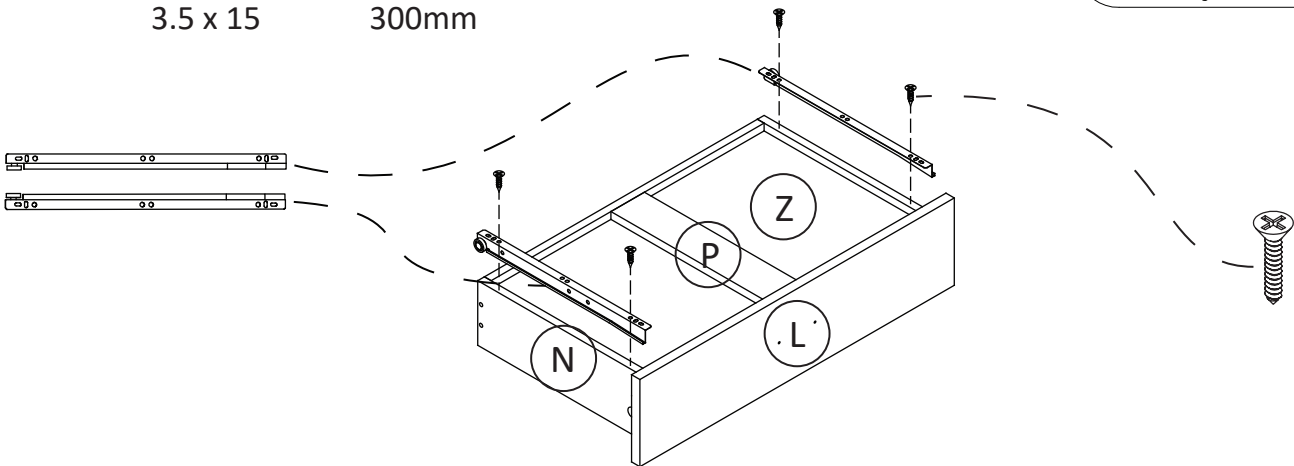
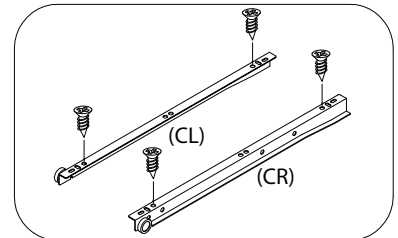
# Step 8



x16  
Csk Screw  
3.5 x 15

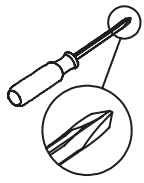


x4 set  
Drawer Slide  
300mm

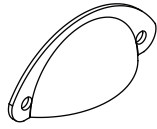


**X4**

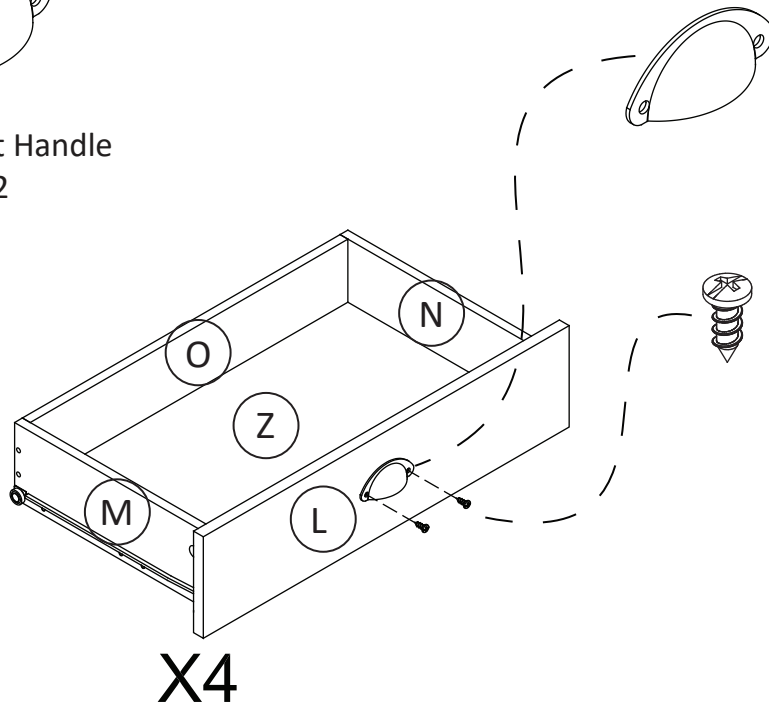
# Step 9



x8  
Csk Screw  
6 X 1/2



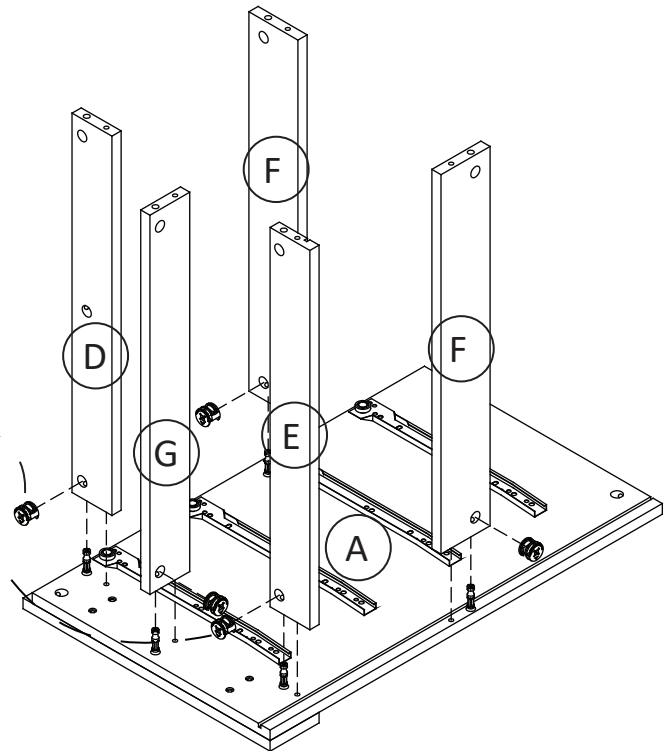
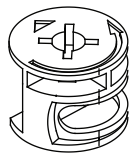
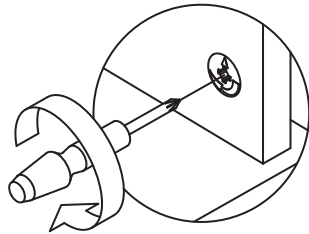
x4  
Pocket Handle  
6 X 1/2



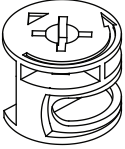
# Step 10



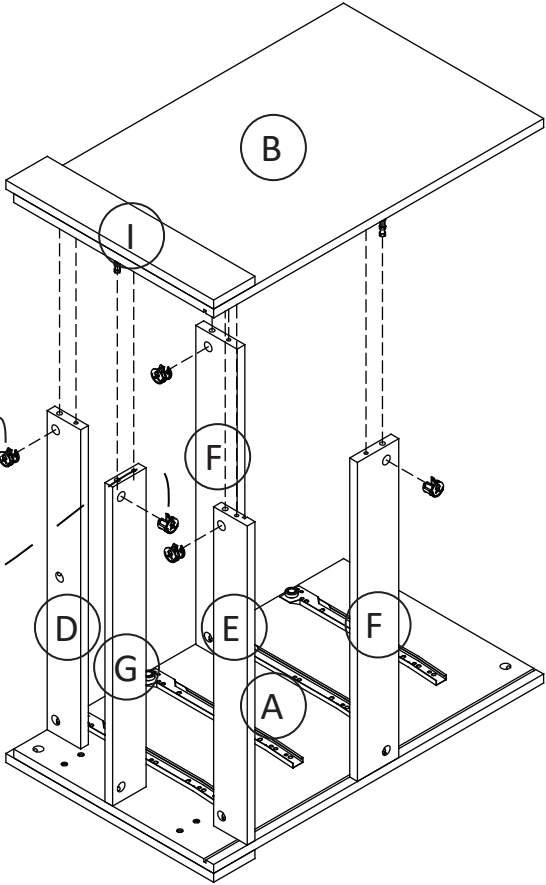
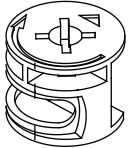
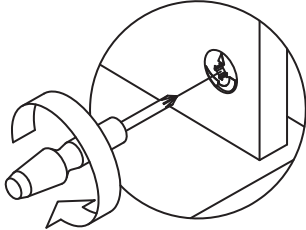
x5  
Cam Lock  
12-15



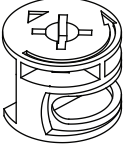
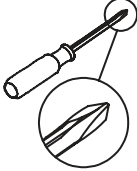
# Step 11



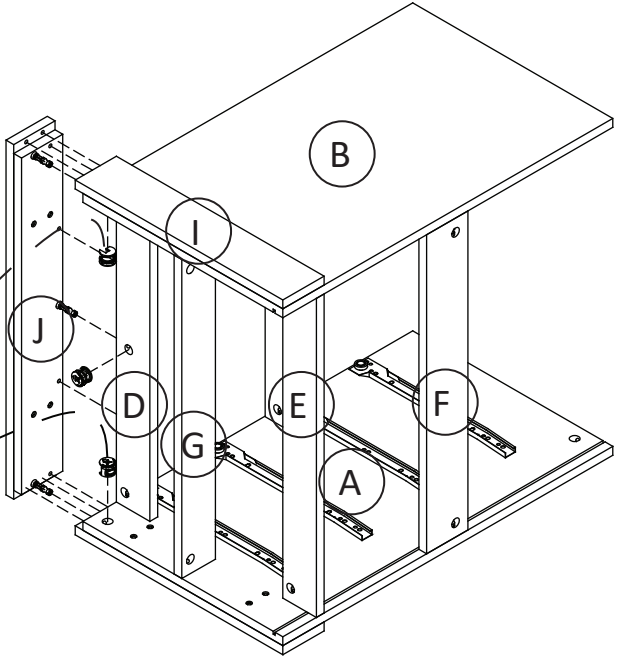
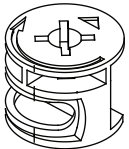
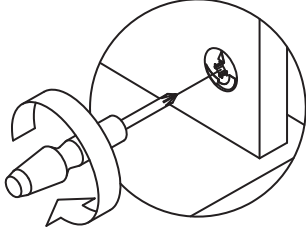
x5  
Cam Lock  
12-15



# Step 12

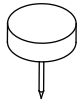


x3  
Cam Lock  
12-15

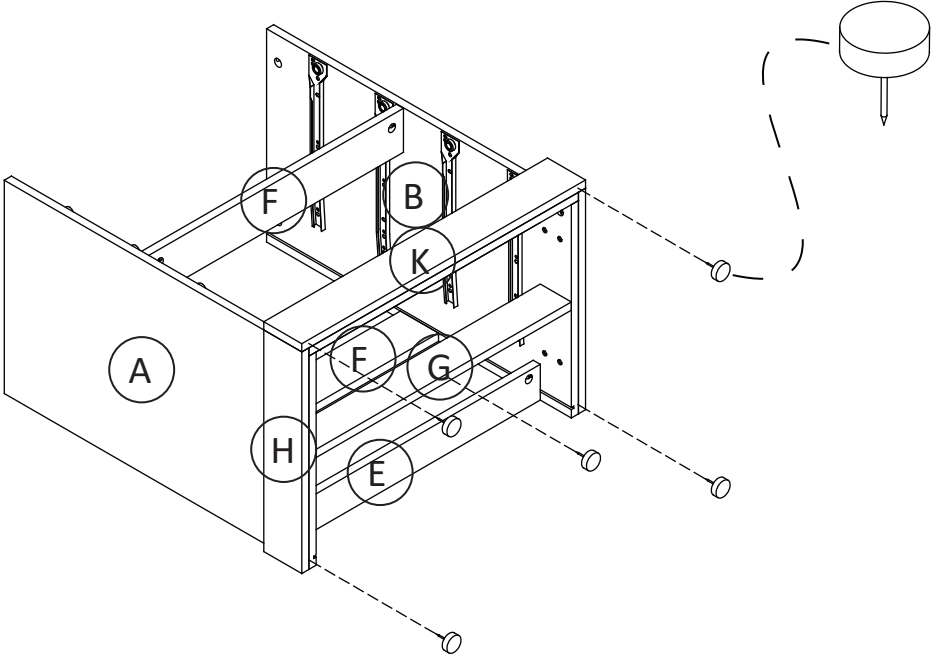


# Step 13

---

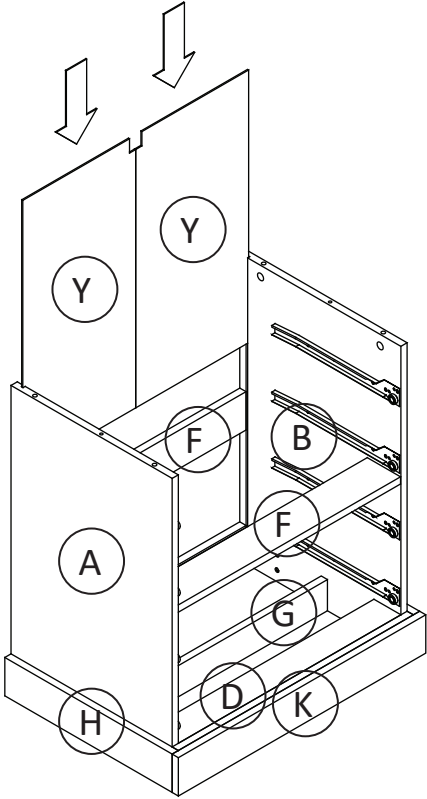


x5  
Nail Leg

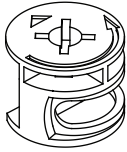


# Step 14

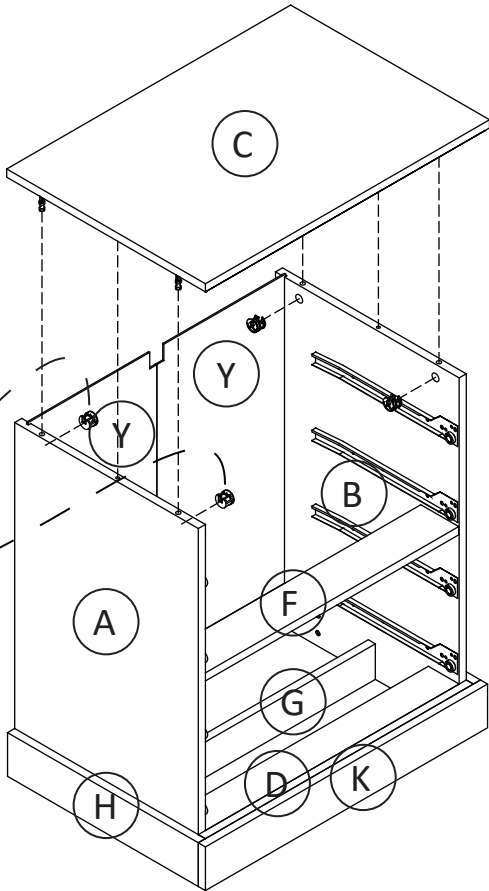
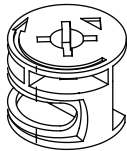
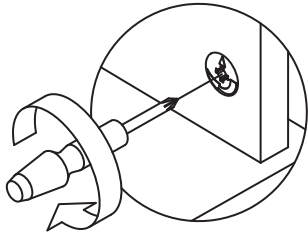
---



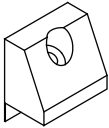
# Step 15



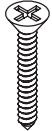
x4  
Cam Lock  
12-15



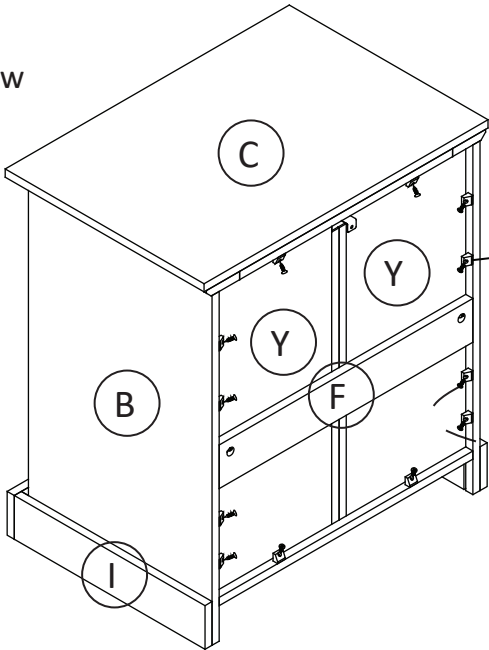
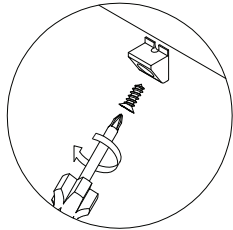
# Step 16



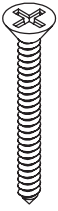
x12  
Backply Stopper



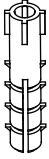
x12  
Csk Screw  
3.1 x 20



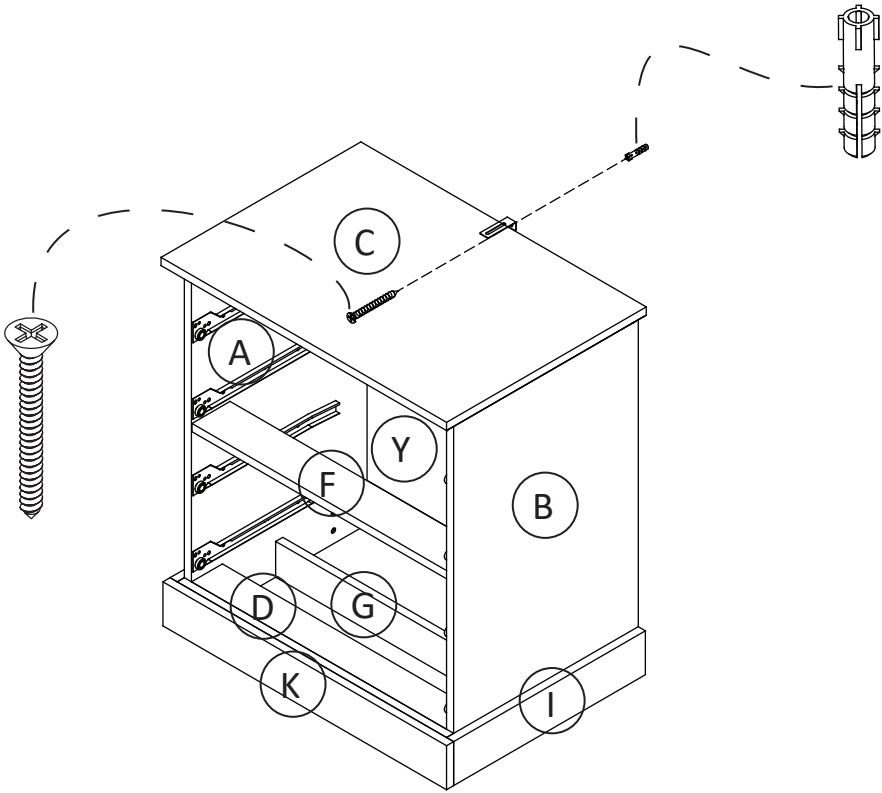
# Step 17



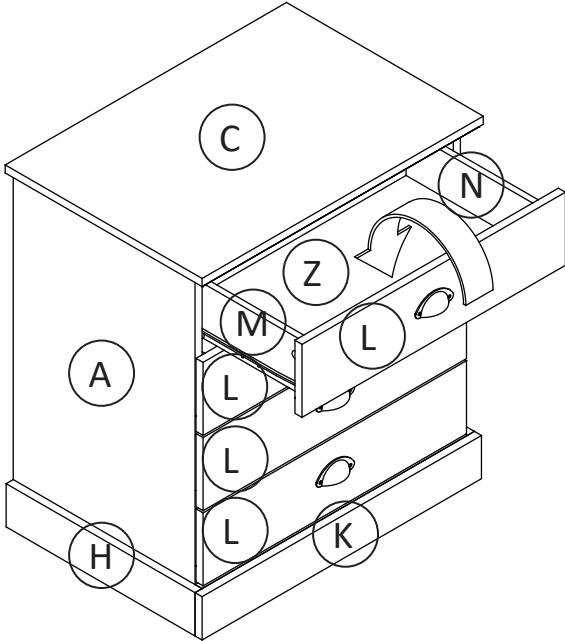
x1  
Csk Screw  
4 X 38



x1  
Wall Plug

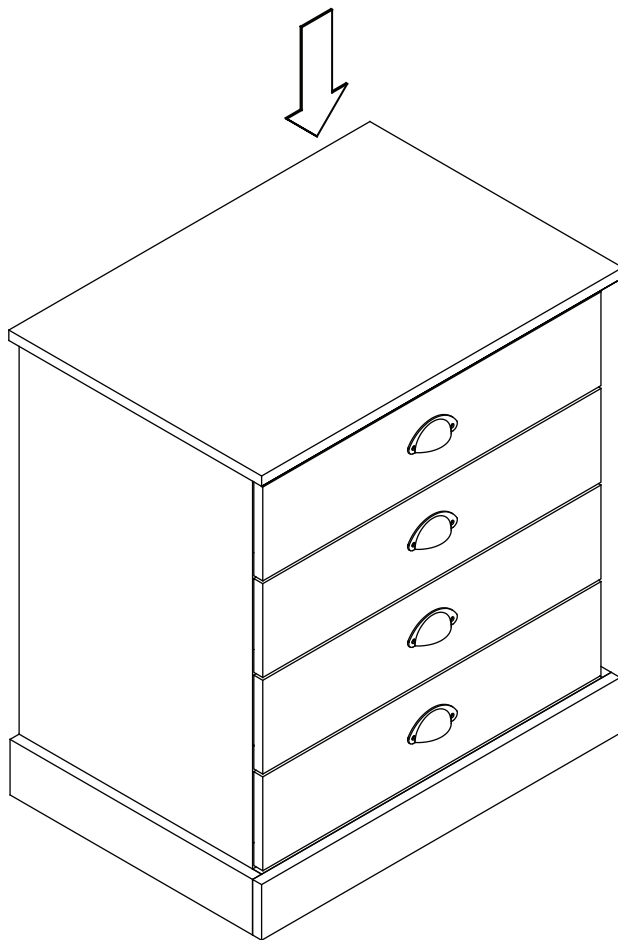


# Step 18



---

MAX WEIGHT LOAD: 22.04 LBS



## Tips for Proper Care and Maintenance of Particle Board Furniture

### Understanding Particle Board

#### Particle Board Composition:

Particle board is composed of wood particles, such as sawdust and wood chips, bonded together with adhesive under high pressure. The surface of particle board is typically covered with a laminate or veneer to enhance its appearance.

#### Sensitivity to Moisture:

One of the primary vulnerabilities of particle board is its sensitivity to moisture. Excessive exposure to water or high humidity can cause swelling, warping, or delamination.

### Cleaning and Maintenance Guidelines

#### **1. Dust Regularly:**

Regular dusting is crucial to prevent the accumulation of dirt and grime on particle board surfaces. Use a soft, dry cloth or a duster to gently remove dust.

#### **2. Avoid Excess Water:**

Particle board should not be cleaned with excessive water or harsh cleaning agents. Use a slightly damp (not wet) cloth with a mild cleaner specifically designed for wood surfaces.

#### **3. Protect from Direct Sunlight:**

Prolonged exposure to direct sunlight can cause discoloration or fading of the particle board surface. Position furniture away from direct sunlight or use window coverings to reduce exposure.

#### **4. Use Coasters and Mats:**

Protect particle board surfaces from hot items, spills, and scratches by using coasters, placemats, or felt pads under objects. This precaution prevents damage and preserves the furniture's appearance.

#### **5. Repair Minor Damage Promptly:**

Address minor damage such as scratches or small chips promptly. You can use touch-up markers or putty to fill in and conceal minor imperfections. Ensure that the repair materials match the furniture's colour and finish.