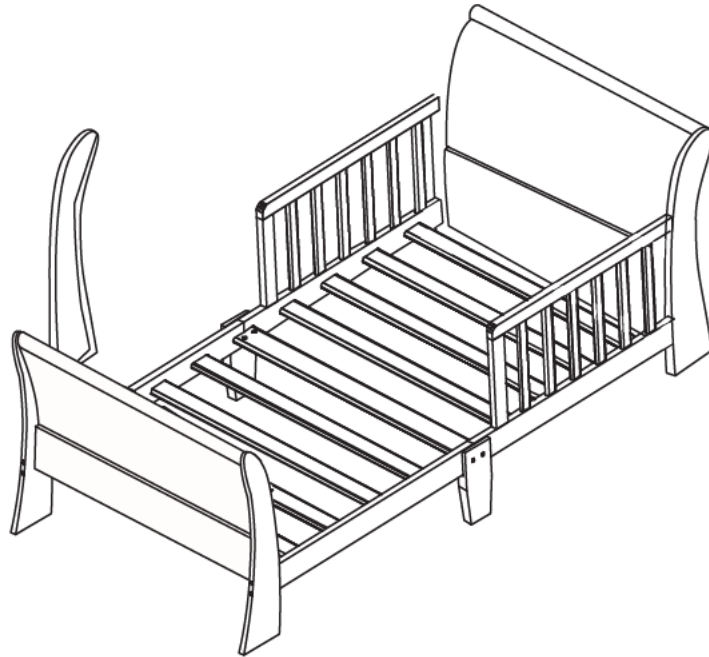


TODDLER BED



ASSEMBLY INSTRUCTIONS

READ ALL INSTRUCTIONS BEFORE ASSEMBLING.

SAVE INSTRUCTIONS FOR FUTURE USE.

CAREFULLY REMOVE AND LAY OUT ALL PARTS. FAMILIARIZE YOURSELF WITH ALL DIAGRAMS TO FACILITATE THE ASSEMBLY OF YOUR BED.

CHECK PARTS AND THE ENCLOSED HARDWARE BAG WITH THE HARDWARE LIST TO BE SURE ALL ARE INCLUDED AND QUANTITIES ARE CORRECT. DESTROY CARDBOARD AND PLASTIC BAGS IMMEDIATELY.

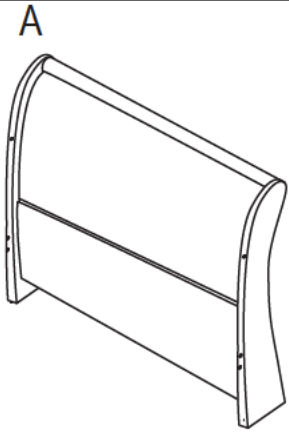
ATTENTION: IN ORDER TO PROPERLY ASSEMBLE THE BED, FOLLOW THE INSTRUCTIONS IN THE SPECIFIED ORDER. FAILURE TO ASSEMBLE THE TODDLER BED IN THE MANNER RECOMMENDED COULD MAKE THE TODDLER BED HAZARDOUS.



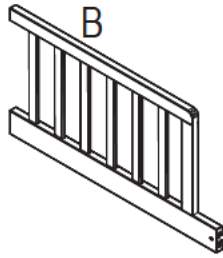
WARNING !

- FAILURE TO FOLLOW THESE WARNINGS AND THE ASSEMBLY INSTRUCTIONS COULD RESULT IN SERIOUS INJURY OR DEATH.
- READ ALL INSTRUCTIONS BEFORE ASSEMBLING BED. KEEP INSTRUCTIONS FOR FUTURE USE.
- UPON COMPLETION OF ASSEMBLY, MAKE SURE ALL SCREWS, BOLTS AND FASTENERS HAVE BEEN SECURELY TIGHTENED.
A FREQUENT AND PERIODICALLY CHECK SHOULD BE MADE TO CONFIRM ALL THE SCREWS AND NUTS REMAIN TIGHT.
- NEVER SUBSTITUTE PARTS, THE PRODUCT INCLUDING SIDE RAILS, MUST BE FULLY ERECTED PRIOR TO USE.
- NEVER USE BED FOR INFANTS, THIS TODDLER BED IS NOT A SUBSTITUTE FOR A CRIB, THE TODDLER BED IS USED FOR A CHILD BETWEEN THE AGE OF 15 MONTHS TO 5 YEARS WITH A MAXIMUM WEIGHT OF 50 POUNDS (22.7KG).
- NEVER USE PLASTIC SHIPPING BAG OR OTHER PLASTIC FILM AS A MATTRESS COVERS NOT SOLD AND INTENDED FOR THAT PURPOSE, THEY CAN CAUSE SUFFOCATION.
- CAUTION ENTRAPMENT HAZARD: TO AVOID DANGEROUS GAPS, ANY MATTRESS USED IN THIS BED SHALL BE FULL SIZE CRIB MATTRESS AT LEAST 51-58IN (1310MM) IN LENGTH, 27-1/4IN (690MM) IN WIDTH AND 4IN (100MM) IN THICKNESS, OR GREATER, BUT NOT EXCEED 5IN.
- NEVER USE A WATER MATTRESS WITH THIS TODDLER BED.
- WARNING STRANGULATION HAZARD: STRINGS CAN CAUSE STRANGULATION! NEVER PLACE BED NEAR WINDOW WHERE CORDS FROM BLINDS OR DRAPES MAY STRANGLE A CHILD. NEVER SUSPEND STRINGS OVER BED.
NEVER PLACE ITEMS WITH A STRING CORD, OR RIBBON, SUCH AS HOOD STRINGS, PACIFIER CORDS AROUND A CHILD'S NECK. THESE ITEMS MAY CATCH ON BED PARTS.
- WARNING: INFANTS HAVE DIED IN TODDLER BEDS FROM ENTRAPMENT. OPENINGS IN AND BETWEEN BED PARTS CAN ENTRAP HEAD AND NECK OF A SMALL CHILD. NEVER USE BED WITH CHILDREN UNDER 15 MONTHS. ALWAYS FOLLOW THE ASSEMBLY INSTRUCTIONS.
- TO REDUCE THE RISK OF SIDS, PEDIATRICIANS RECOMMEND HEALTHY INFANTS BE PLACED ON THEIR BACK TO SLEEP, OR ADVISED BY YOUR PHYSICIAN.
- DO NOT USE BED IF THE SPACE BETWEEN BED AND SOLID OBJECTS IS LESS THAN 12IN (31CM), A CHILD COULD SLID INTO THE SPACE AND SUFFOCATE.
- IF REFINISHING, USE A NON-TOXIC FINISH SPECIFIED FOR CHILDREN'S PRODUCTS.
TO WASH, CLEAN WITH MILD SOAP AND DAMP CLOTH.
TO STORE, PLEASE KEEP IN A COOL PLACE.

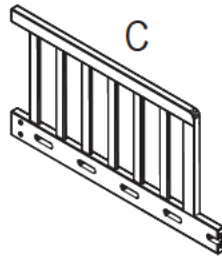
PARTS LIST



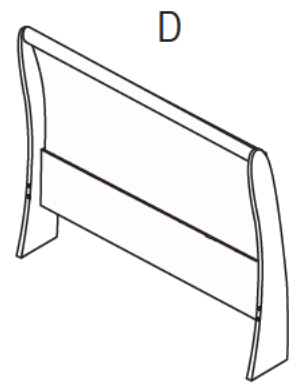
A: Head board (1PC)



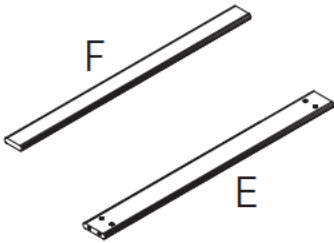
B: Left guard rail (1PC)



C: Right guard rail (1PC)

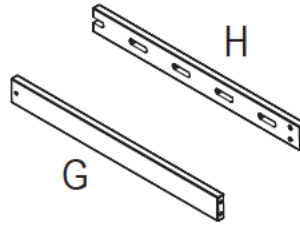


D: Foot board (1PC)



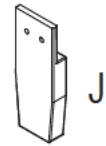
E: Middle mattress base slat (1PC)

F: Mattress base slat (8PCS)



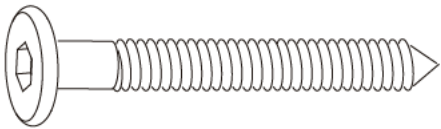
G: Left rail (1PC)

H: Right rail (1PC)

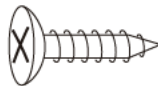


J: Split leg (2PCS)

HARDWARES



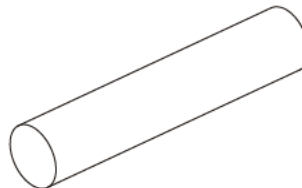
a: 2-3/4" Allen head bolts (14pcs)



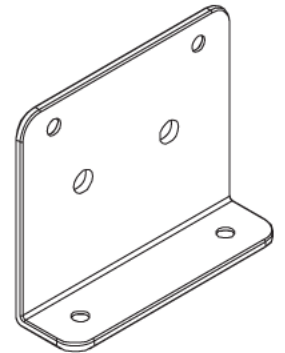
b: 3/5" Selfdrilling screws (8 pcs)



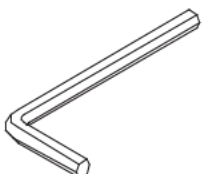
c: Barrel nuts (14 pcs)



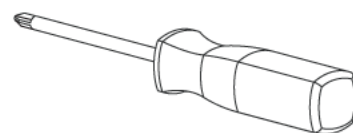
d: 2-2/5" Wood dowels (4 pcs)



e: L metal plates (2 pcs)

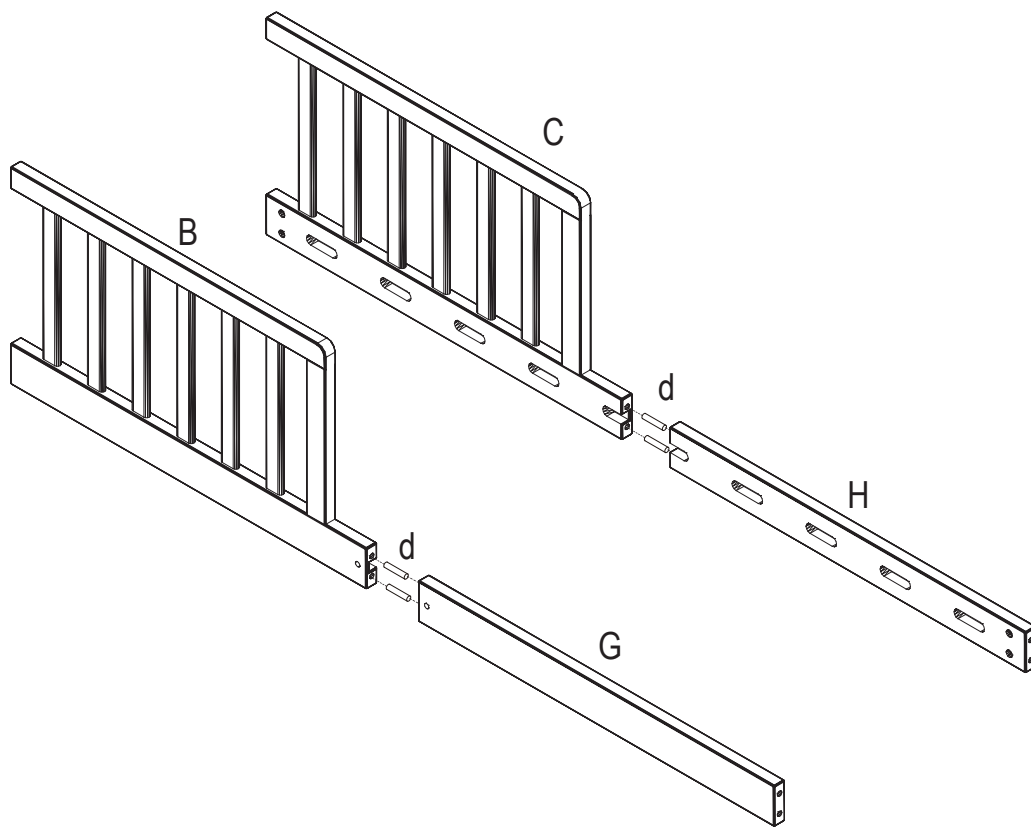


f: Allen wrench (1 pc)



PHILLIPS-HEAD SCREWDRIVER REQUIRED FOR ASSEMBLED---NOT INCLUDE

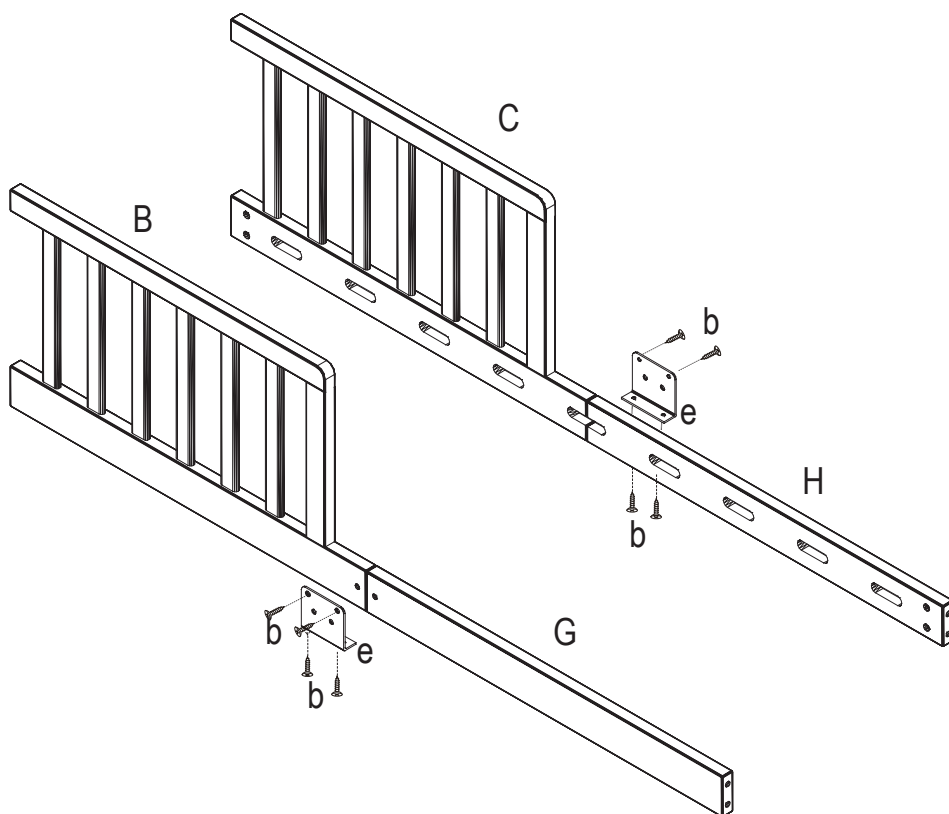
STEP 1



Connect the left rail (B) to the left rail (G) by wood dowels (d).
Connect the right rail (C) to the right rail (H) by wood dowels (d).

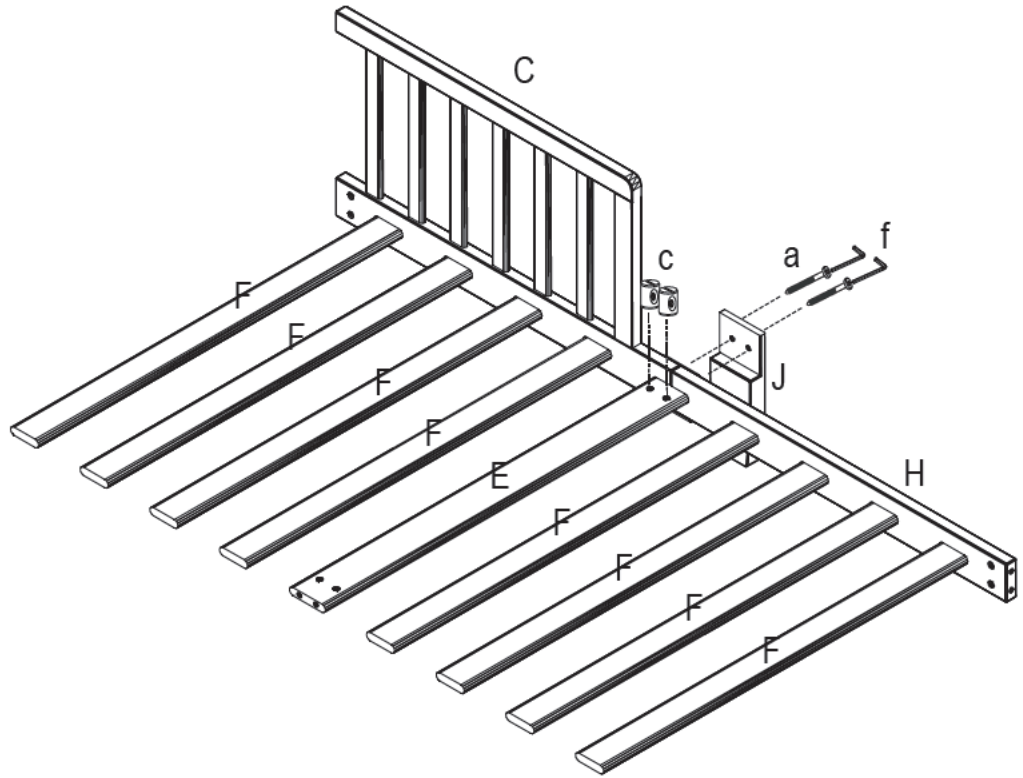
STEP 2

Connect the guard rail (B&C) to the rail (G&H) by L metal plate (e) and selfdrilling screw (b).



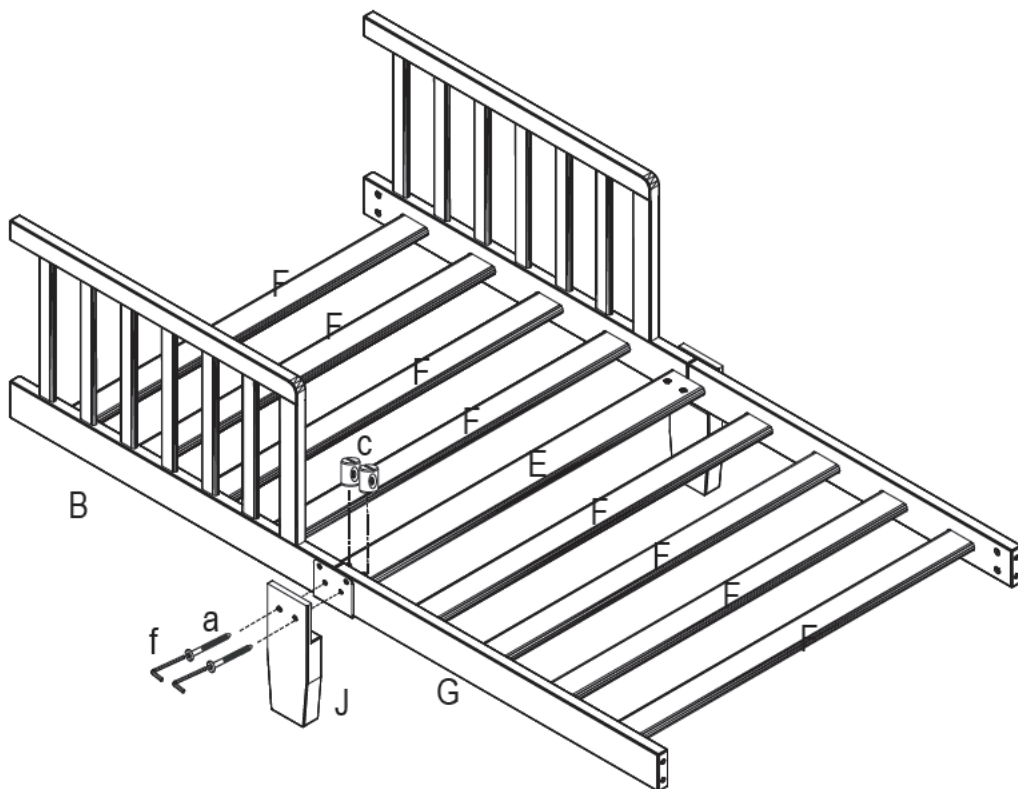
NOTE: When attach the L metal plate (e), make sure the holes on the L metal plate (e) match to the holes on the guard rail (B&C), and rail (G&H). Then tighten the self drilling screw (b).

STEP 3



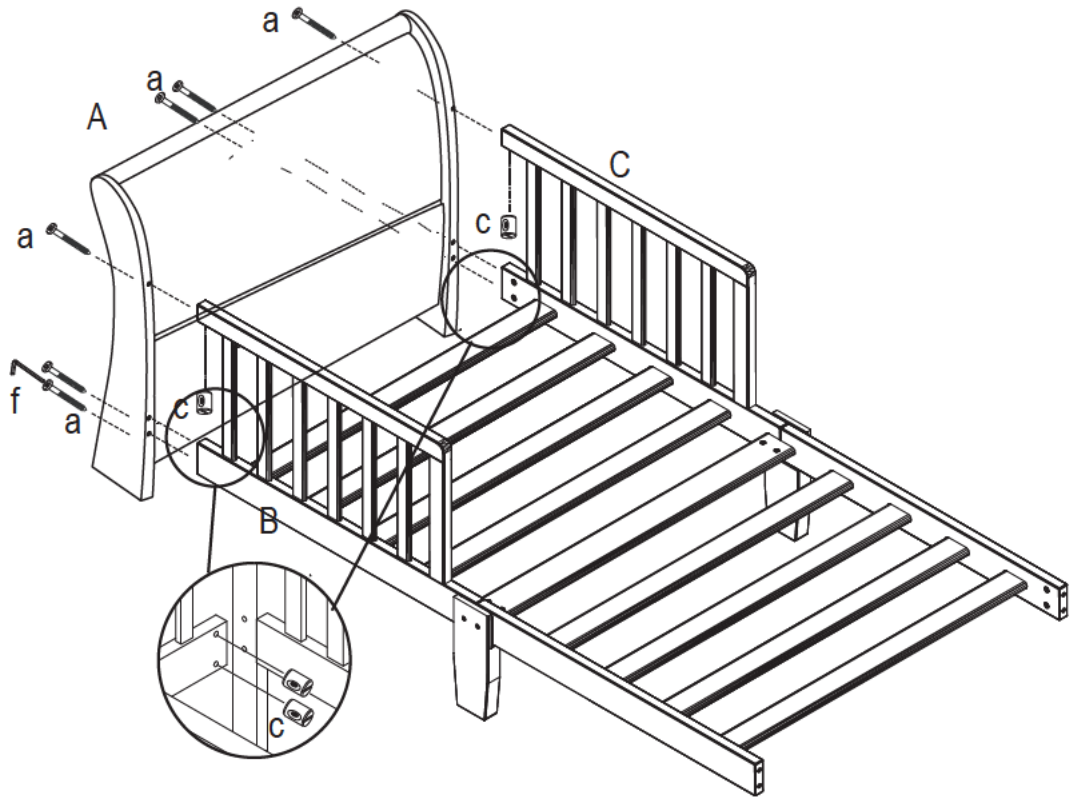
Insert the middle mattress base slat (E) and mattress base slat (F) to the right guard rail (C) and right rail (H) , then attach the split legs (J) to the middle mattress base slat (E) by bolts (a) and barrel nuts (c) .

STEP 4



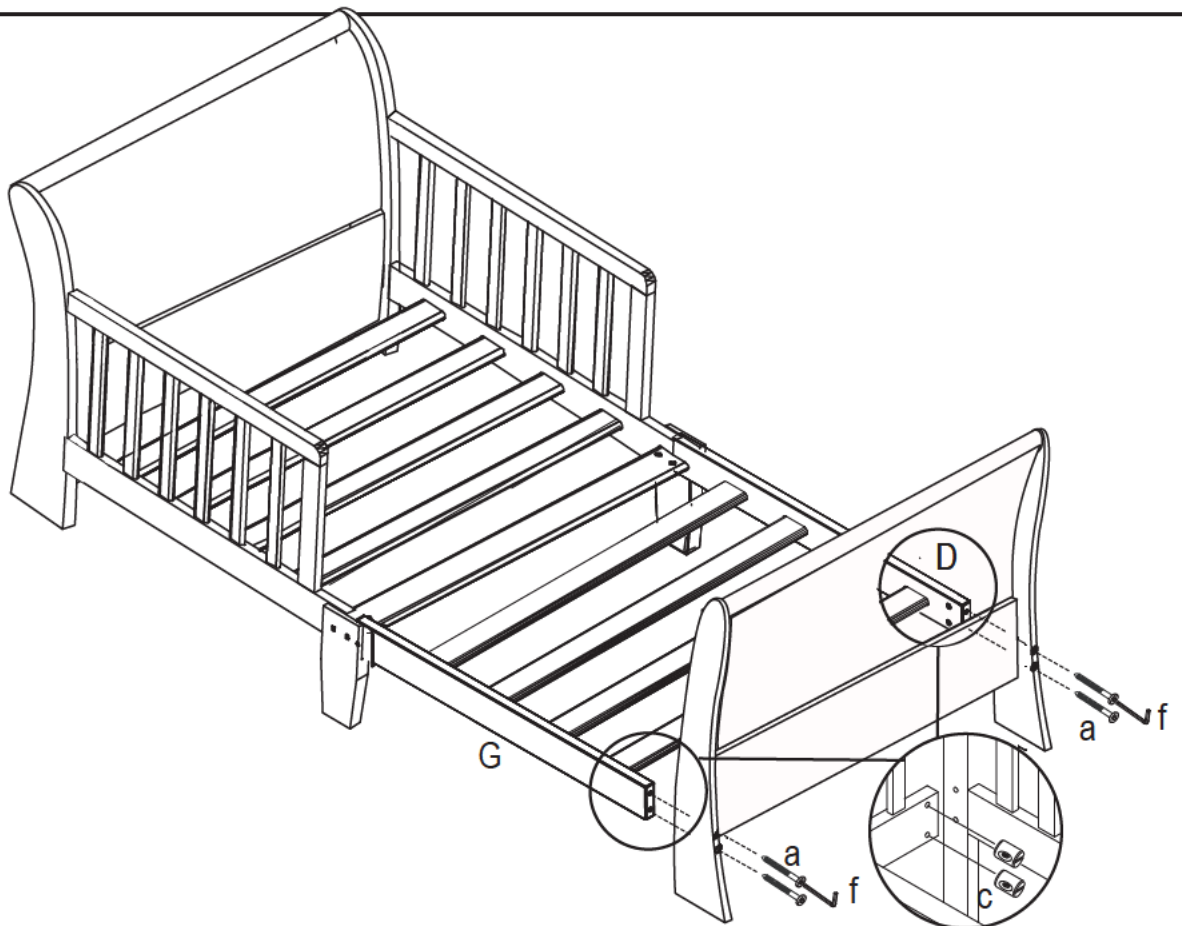
Insert the middle mattress base slat (E) and mattress base slat (F) to the left guard rail (B) and left rail (G) , then attach the split legs (J) to the middle mattress base slat (E) by bolts (a) and barrel nuts (c) .

STEP 5



Connect the head board (A) to the left guard rail (B) and right guard rail (C) using bolts (a) and barrel nuts (c).

STEP 6



Connect the left rail (G) and the right rail (H) to the foot board (D) by using bolts (a) and barrel nuts (c) .

CONGRATULATIONS: Your toddler bed is successfully assembled.

