



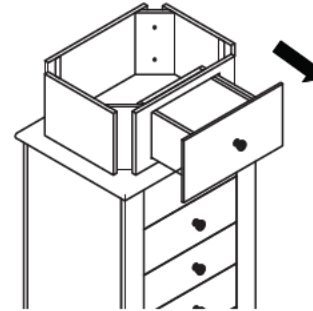
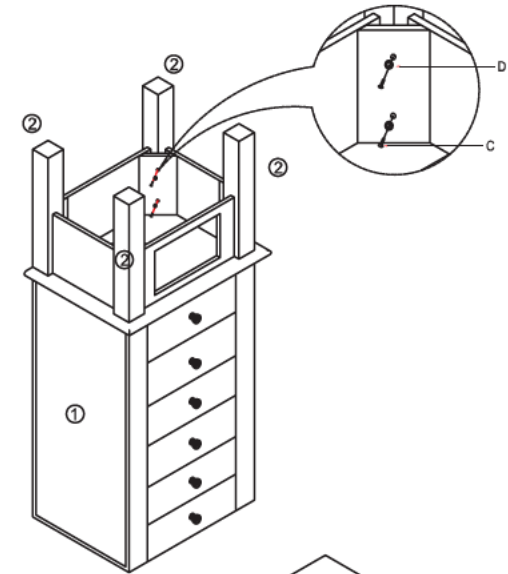
	X 1	A:Plastic Wall Insert	1: Armoire Body
	X 1	B:Screw	2: Leg
	X 8	C:Bolt	3: Top Lid
	X 8	D:Washer	
	X 4	E: Screw	

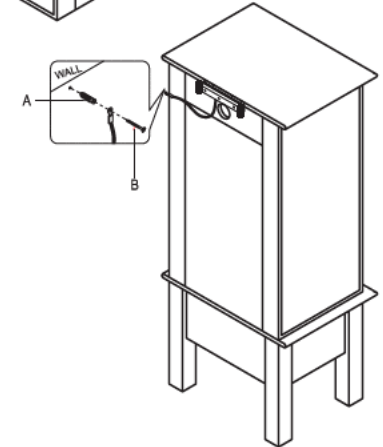
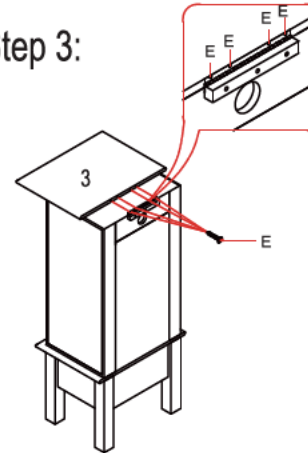
Step 1:



Step 2:



Step 3:



---

# Owner's Manual