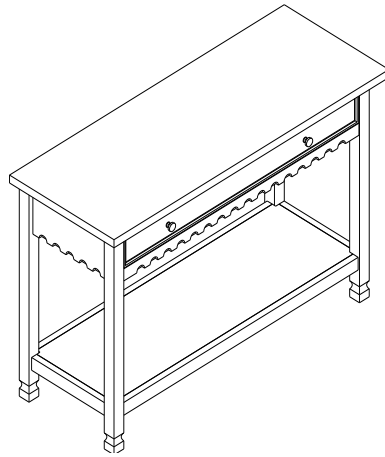


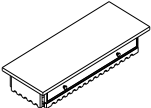

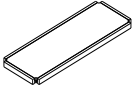
Country Cottage Console



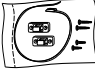


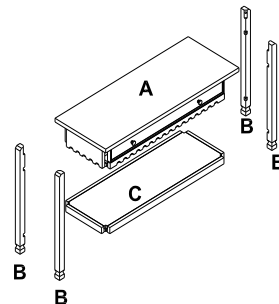
Thank you for purchasing our Country Cottage Console. We have found it helpful to have a second person present during the assembly process.

Console Assembly Instructions

Parts

NO.	DRAWING	DESCRIPTION	QTY.
A		TOP	1
B		POSTS	4
C		BOTTOM	1

NO.	DRAWING	DESCRIPTION	QTY.
D		45MM BOLT	12
E		WRENCH	1
F		ANTI-TIP	1



Step 1

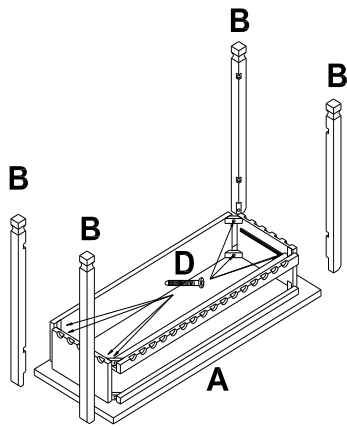
Read through these instructions thoroughly before beginning assembly. We have found this to be of great value when assembling this product.

Step 2

Remove all parts and hardware from packing material. Wooden pieces should be placed on a non abrasive surface to prevent damage to the finish.

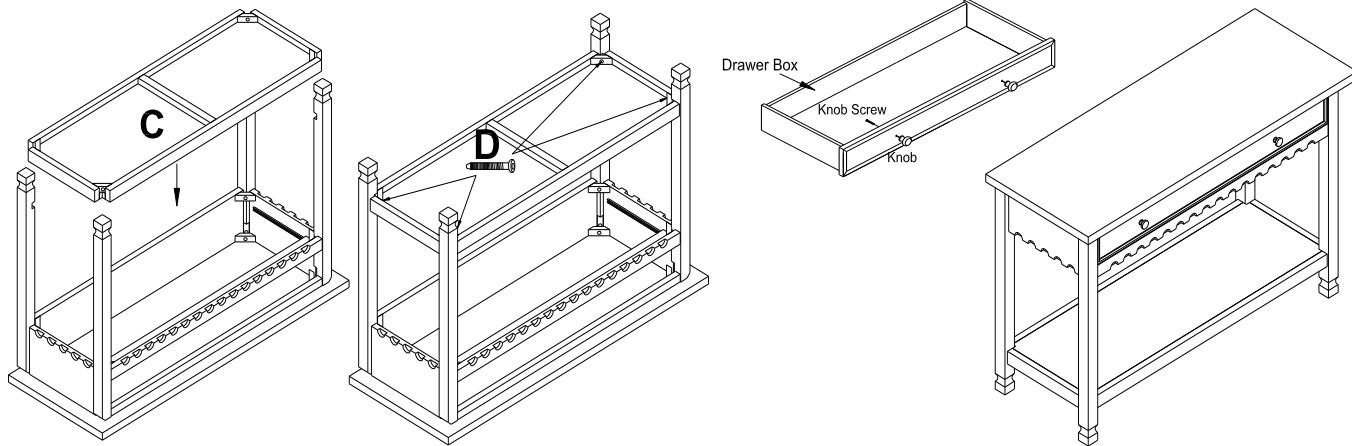
Step 3

Remove the Drawer from Top Assembly (A). Lay Top Assembly (A) upside down on a non abrasive surface. Attach 4 Posts (B) using 8-45MM Hex Bolts (D). **NOTE: Do not tighten firmly at this time.**



Step 4

Attach Bottom (C) to Post (B) using 4-45MM Hex Bolts (D). **Note: TIGHTEN ALL BOLTS AT THIS TIME!** Attach wooden knob to outside of drawer front. Insert the Drawer in to the Top Assembly.



CARE

Clean with a non abrasive cloth using a mild soap. Make sure to wipe dry.

REPLACEMENT PARTS:

For best service, to order replacement parts go to [our website](#). Use the order form on the web site to order your replacement parts. **Thank You!**