

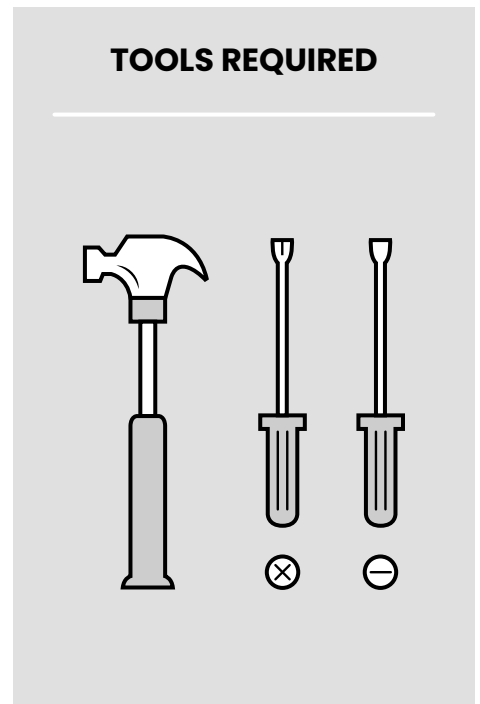
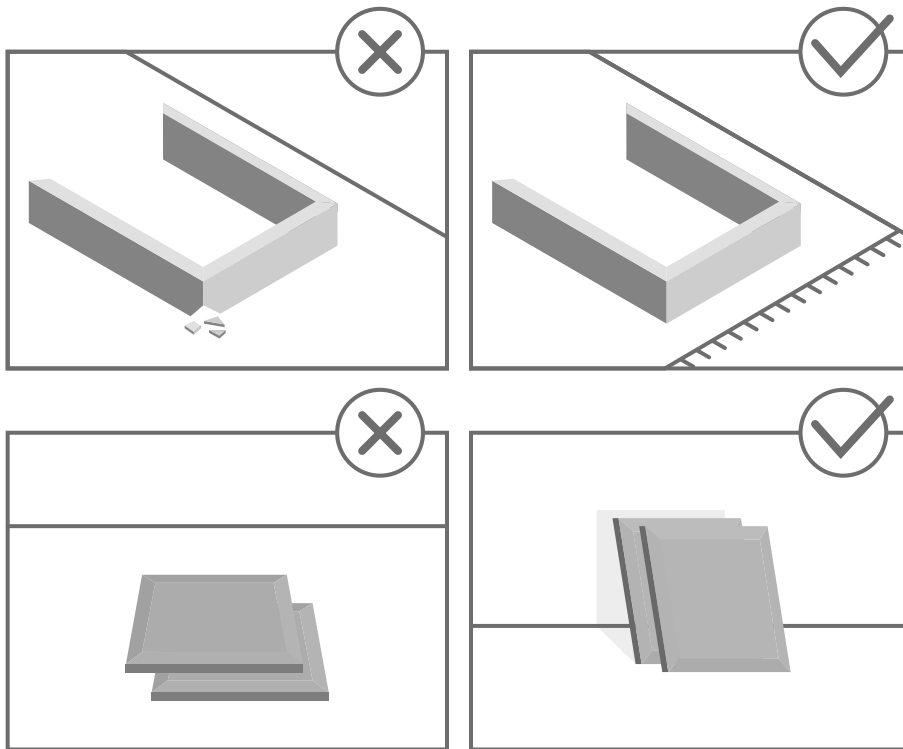


STOP!

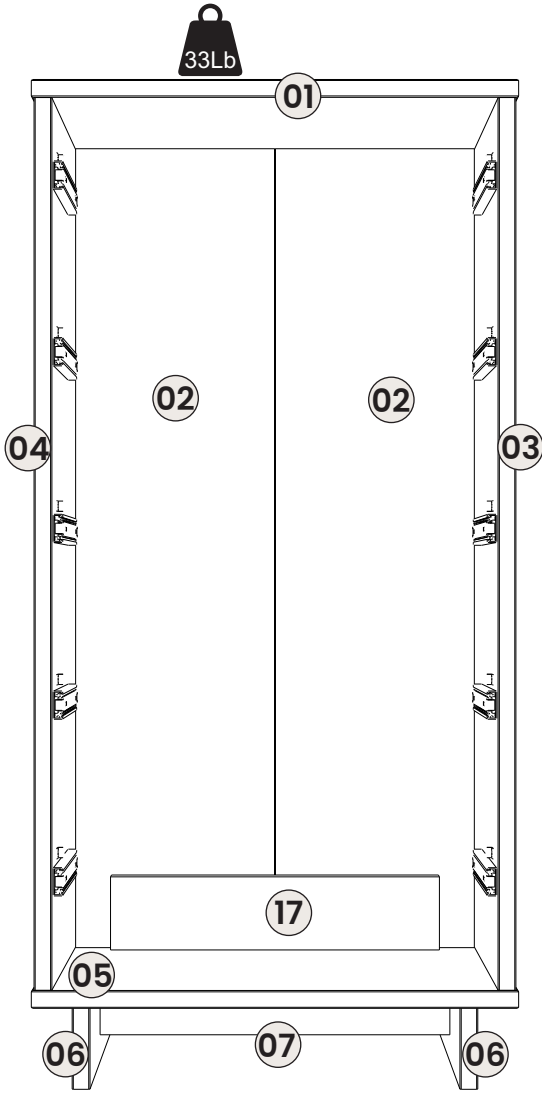
Before beginning the assembly process, ensure all boxes and parts have been delivered.

FOR BEST RESULTS:

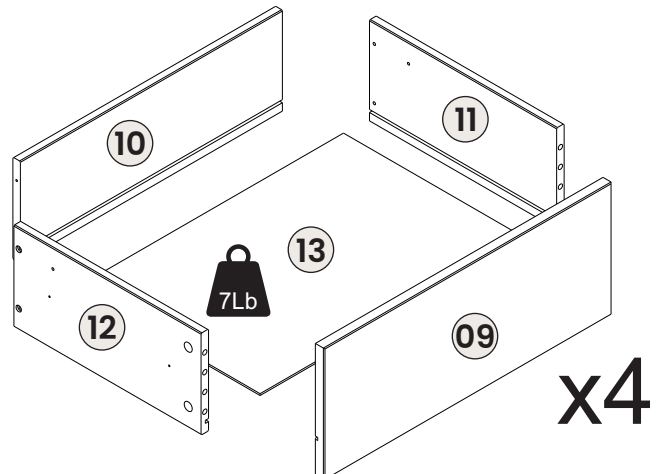
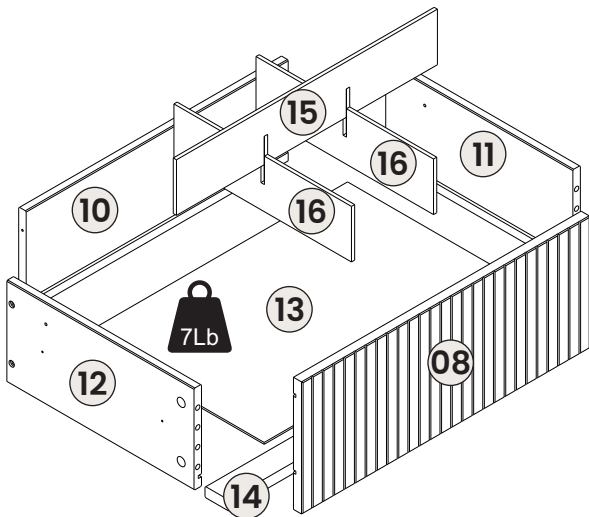
- Do not throw away packaging materials until assembly is complete.
- Assemble item on a soft surface, such as cardboard or carpet, to protect finish.
- Proper assembly requires two people.



Included in this package:



- 01. Top Panel x1
- 02. Back Panel x2
- 03. Right Side Panel x1
- 04. Left Side Panel x1
- 05. Bottom Panel x1
- 06. Foot x2
- 07. Feet Crossbar x1
- 08. Top Drawer Front x1
- 09. Drawer Front x4
- 10. Drawer Back x5
- 11. Drawer Right Side x5
- 12. Drawer Left Side x5
- 13. Drawer Bottom x5
- 14. Top Drawer Support x1
- 15. Top Drawer Larger Division x1
- 16. Top Drawer Smaller Division x2
- 17. Back Rail x1



Included in this package:



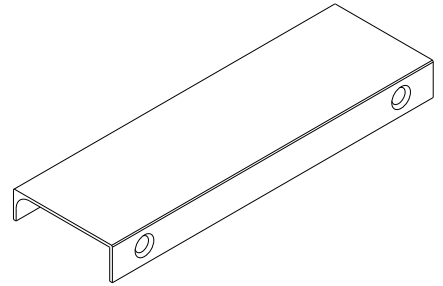
A x 20
#69



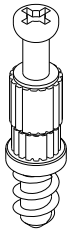
B x 40
#23857



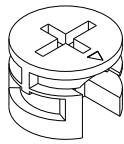
C x 10
#259



D x 5
#PX.017



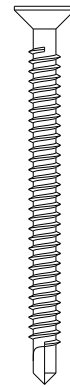
E x 26
#10385



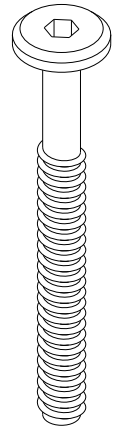
F x 26
#10386



G x 4
#284



H x 10
#11169



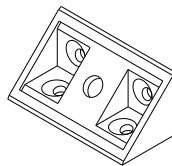
I x 5
#292



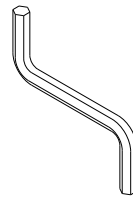
J x 1
#KT.002



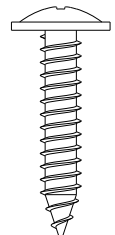
K x 52
#1616



L x 8
#CA.002



M x 1
#2196



N x 10
#PA.010

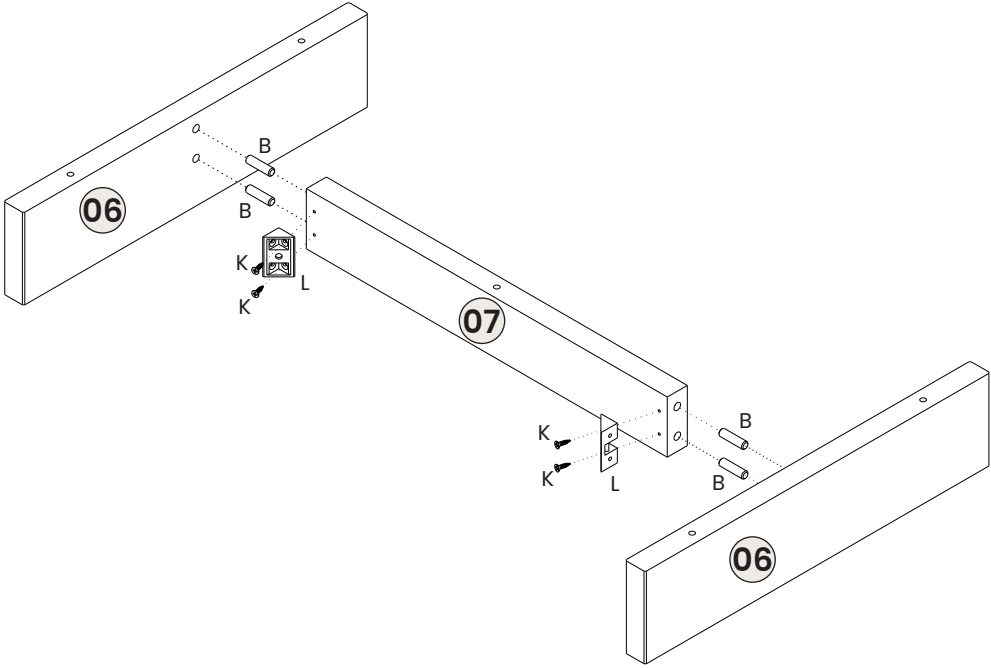
Where to find the itens

Box 1				
01	11	69	10386	1616
05	12	23857	284	CA.002
08	13	259	11169	2196
09	15	PX.017	292	PA.010
10	16	10385	KT.002	

Box 2	
02	07
03	14
04	17
06	

01

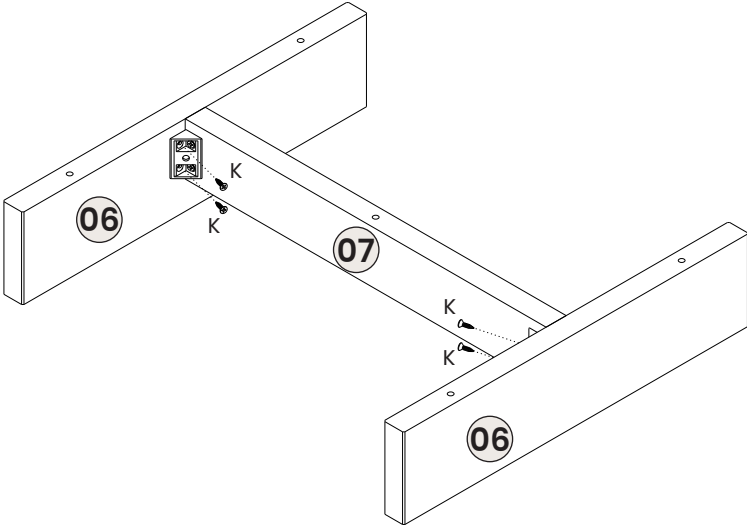
Fix the hardware L to part 07 with screw K.
Then, attach the parts 06-07 with the hardware B.




B x 4 	L x 2 	K x 4 
--	---	---

02

Fix the part 07 to part 06 with screw K.

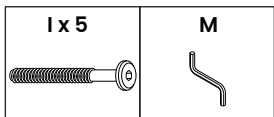
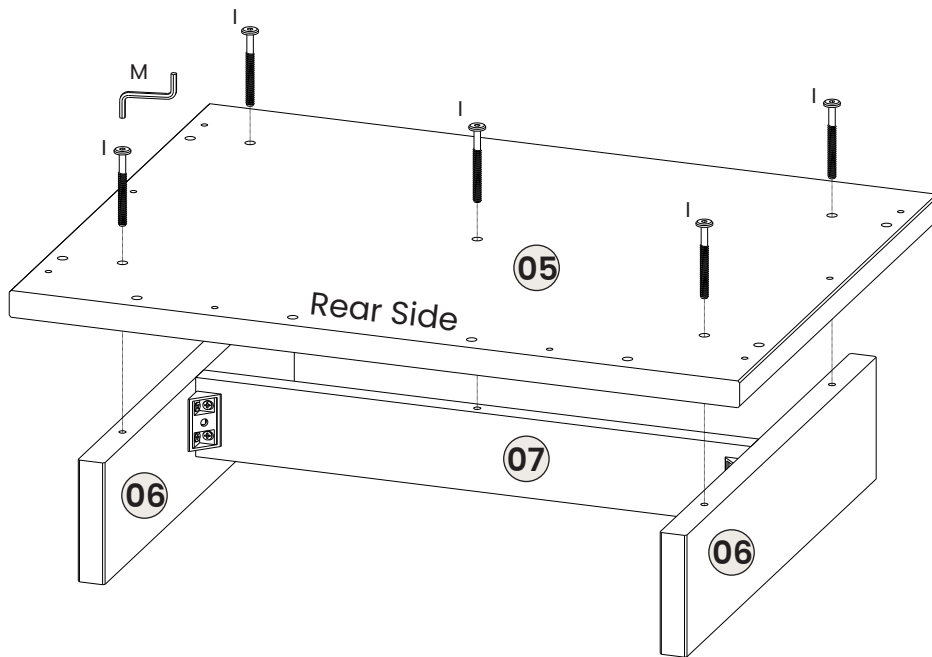


K x 4 

03

Fix the part 05 to parts 06-07 with screw I and tool M.

06

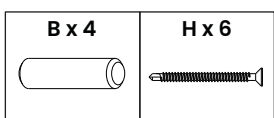
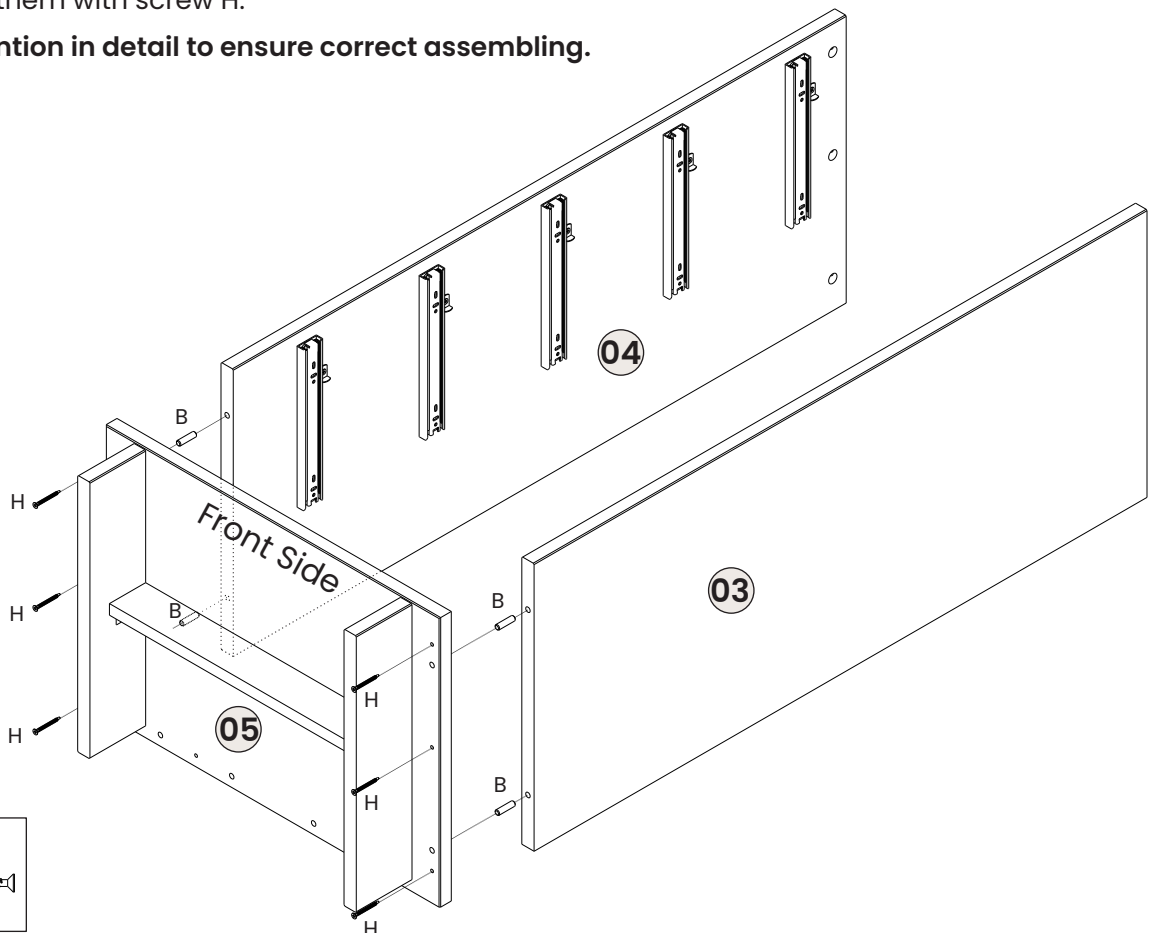


04

Attach the parts 03-04 to part 05 with hardware B.

Then, fix them with screw H.

Pay attention in detail to ensure correct assembling.

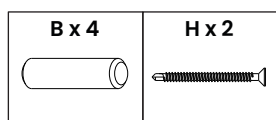
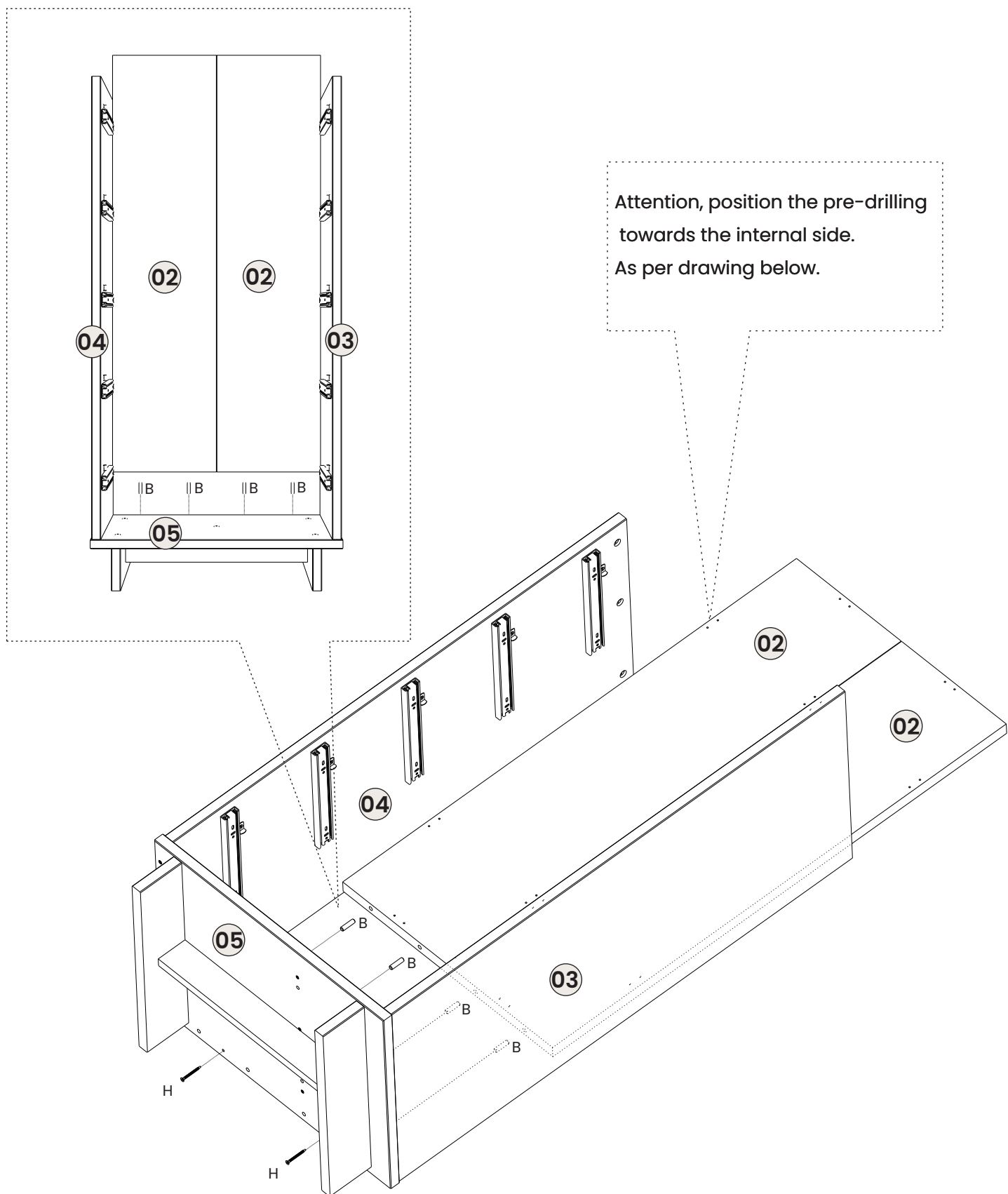


05

Attach part 02 to parts 03-04-05 with hardware B.

Then secure them with screw H.

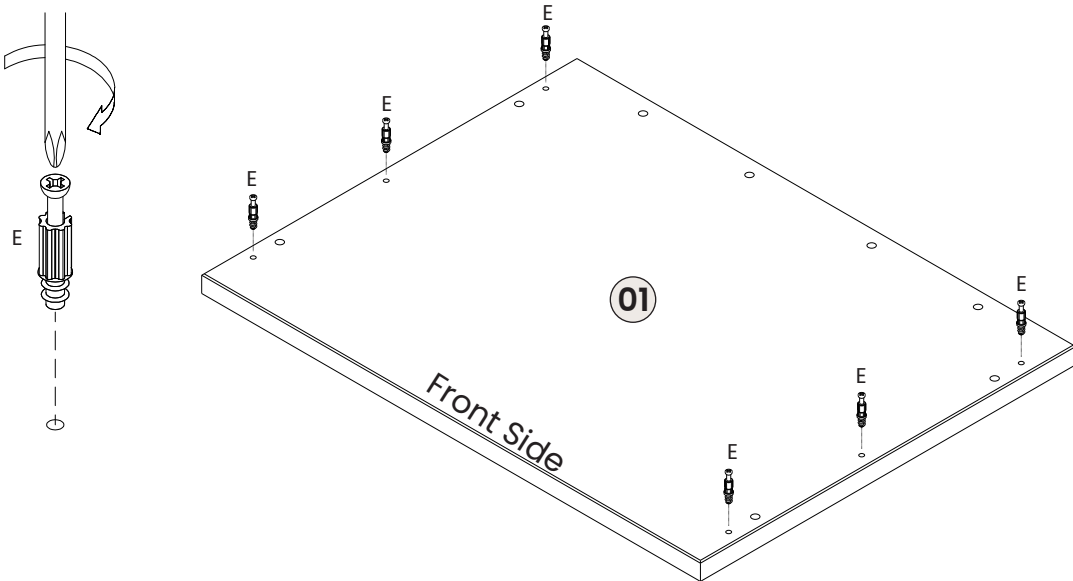
07



06

Fix the hardware E to part 01.

08



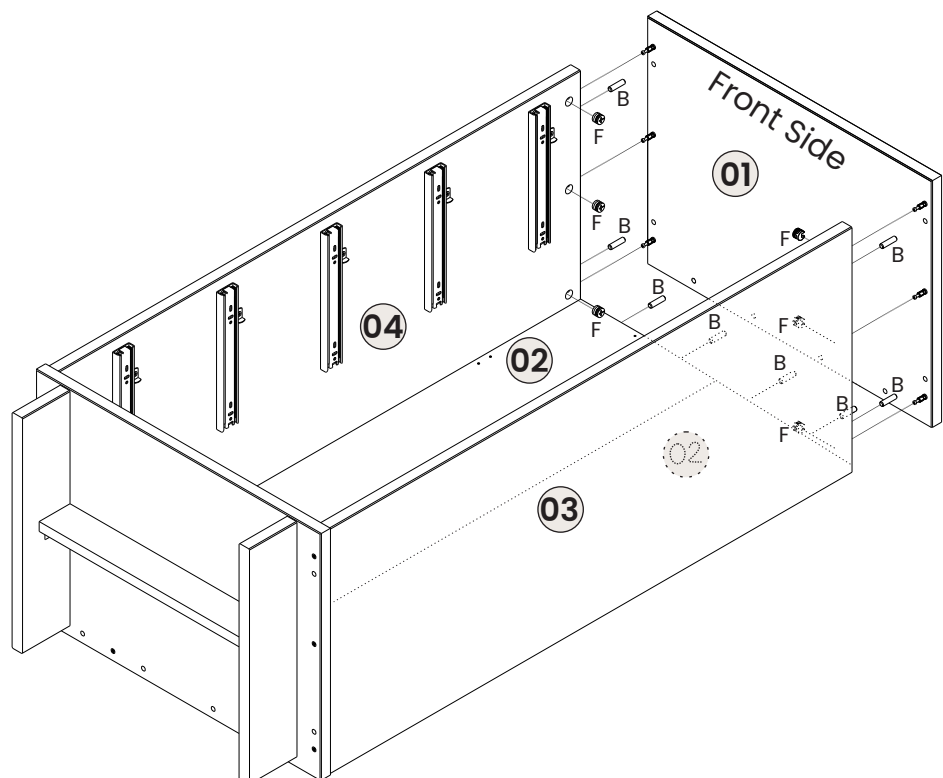
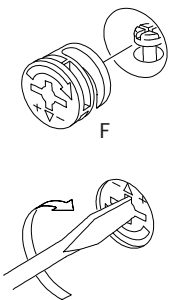
Ex 6



07

Attach the part 01 to parts 02-03-04 with hardware B.

Then, apply the hardware F and lock it according the example below.

Pay attention in detail to ensure correct assembling.

B x 8



F x 6

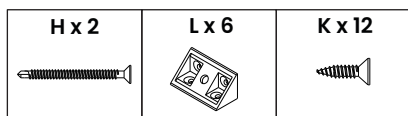
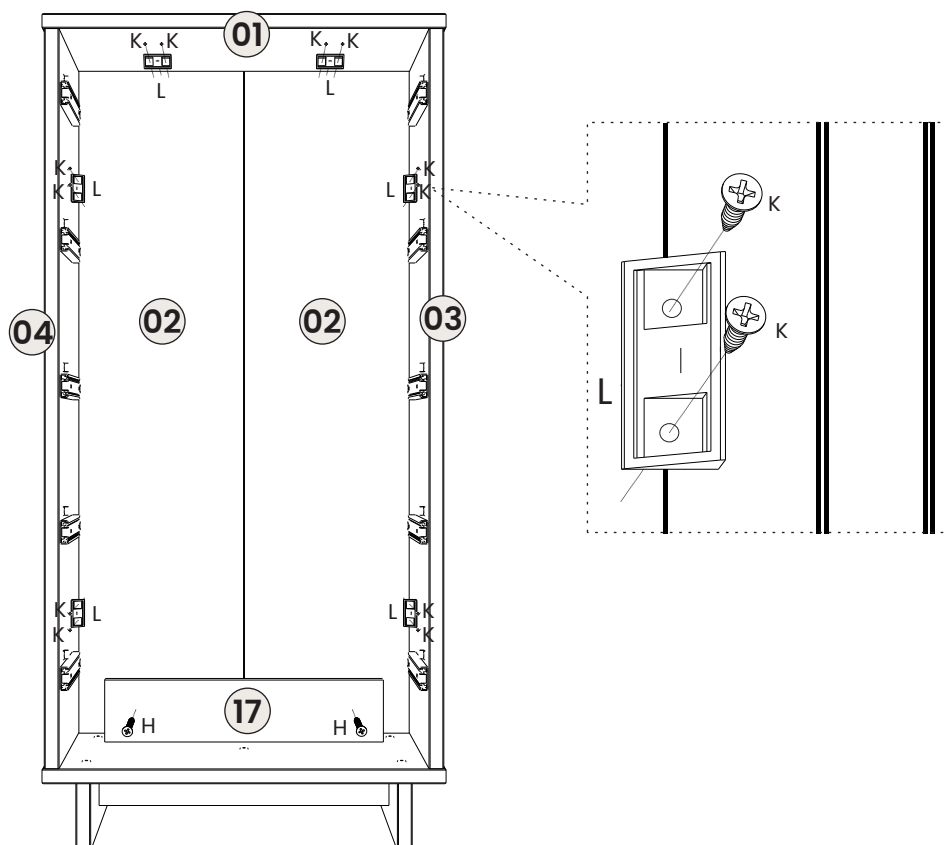


08

Attach part 17 to part 02 with screw H.

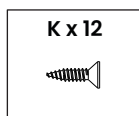
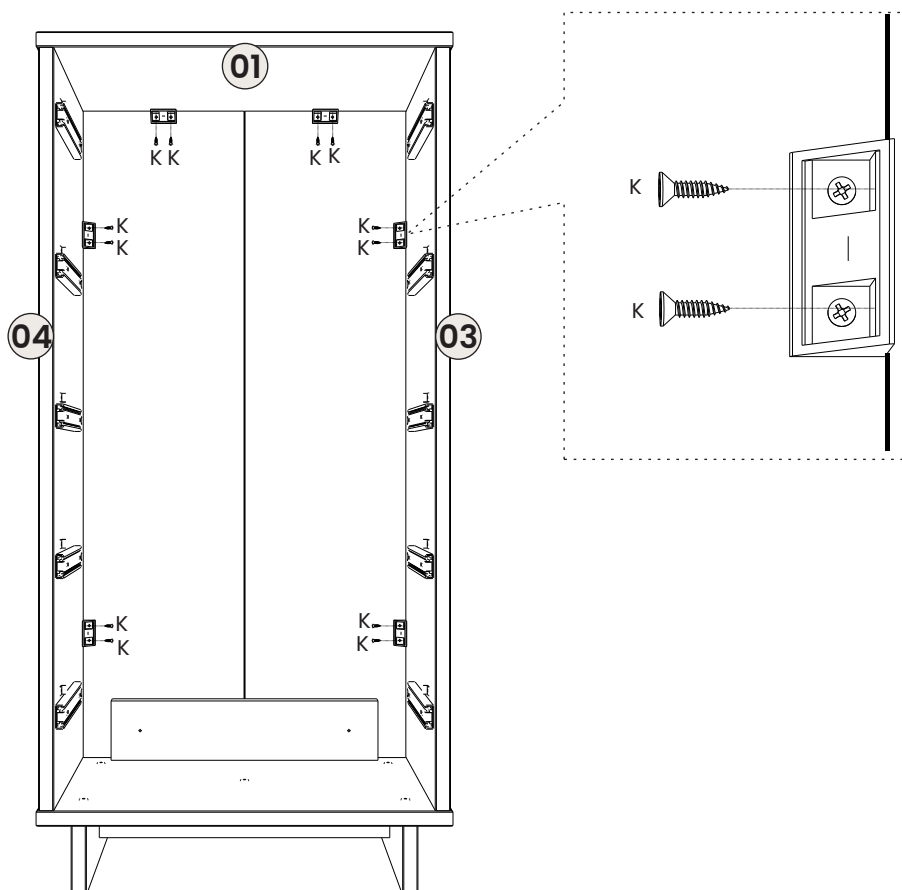
Fix harware L with screw K in part 02 in the pre-drilled holes idicated.

09

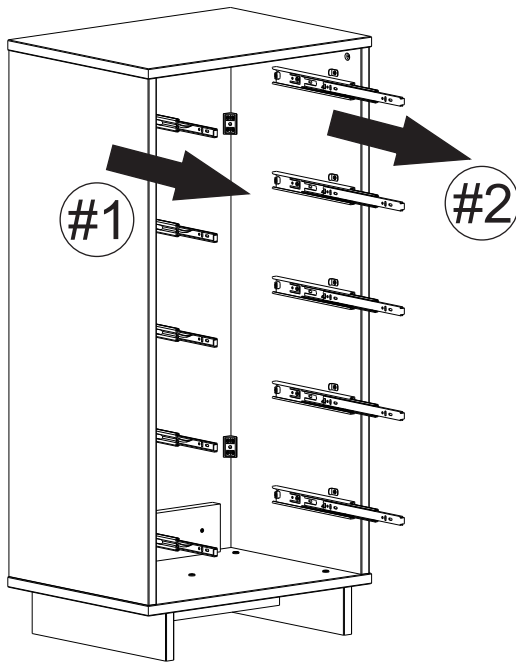


09

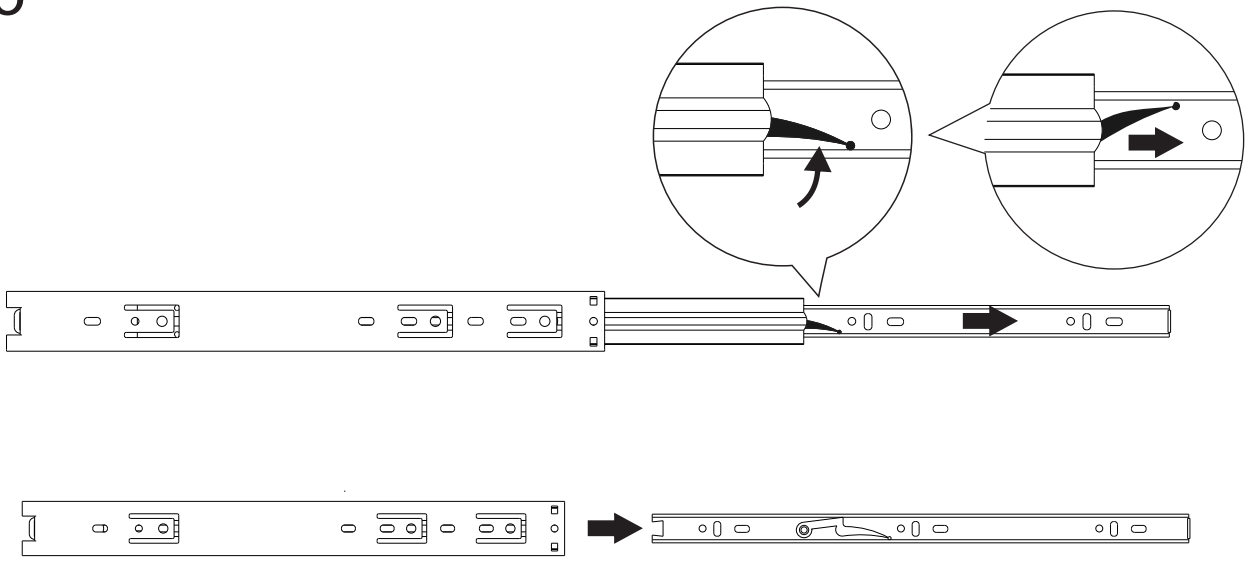
Fix screw K on parts 01-03-04.



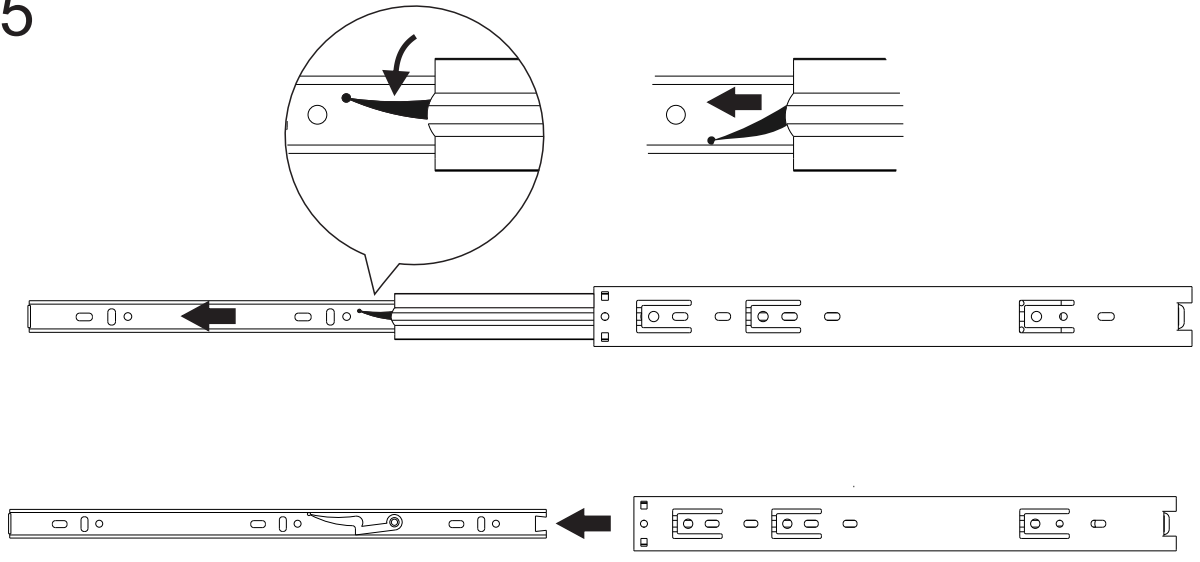
Remove the inner part of the slide as shown in the example below.



#1 x5



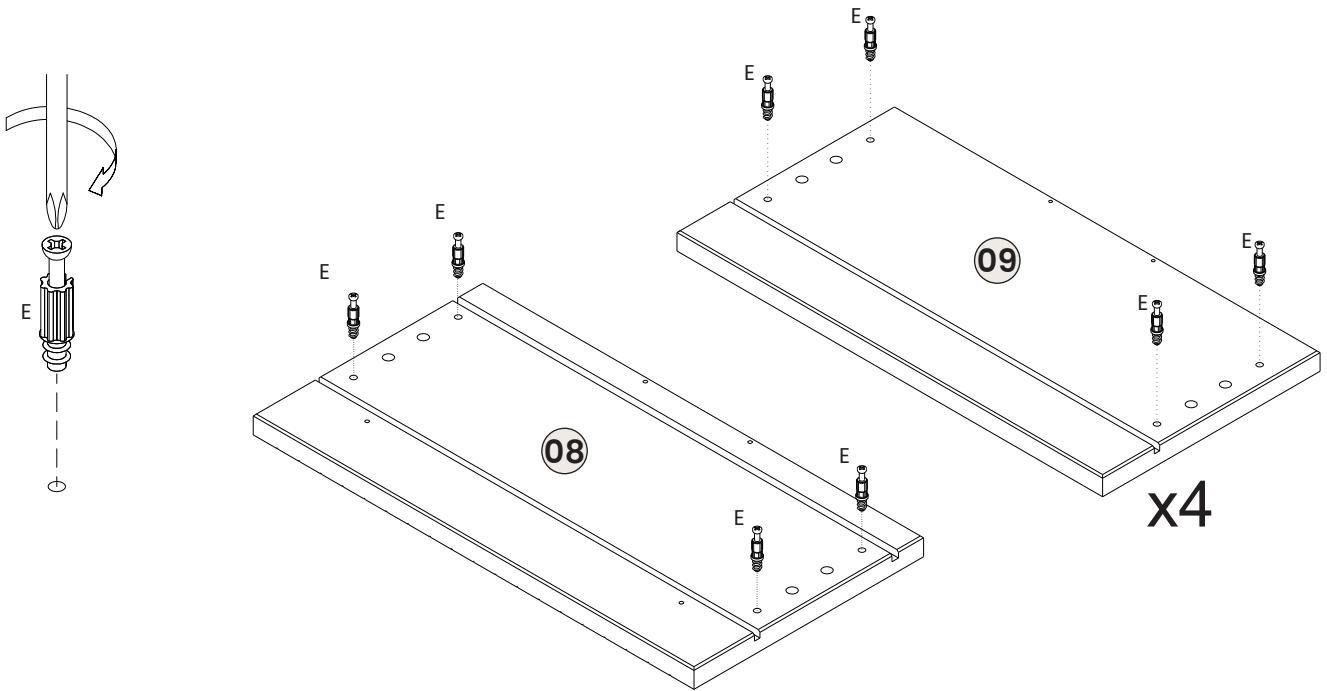
#2 x5



11

Fix hardware E to parts 08 and 09.

11



E x 20

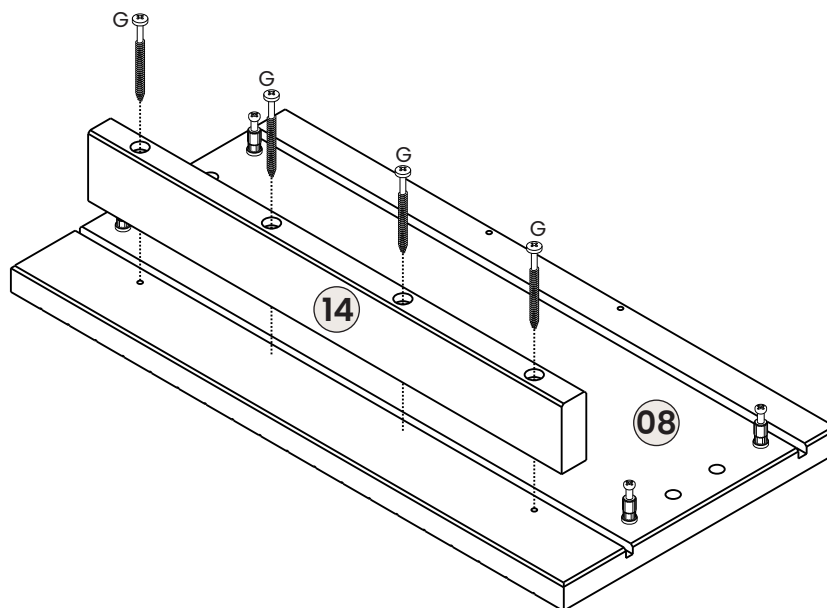


12

Specially to part 08, fix the part 14 with screw G.

Please, start by arranging the ends using the pre-drills.

Then fix the intermediate screws.

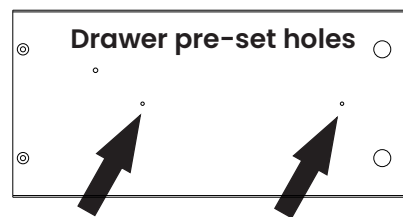
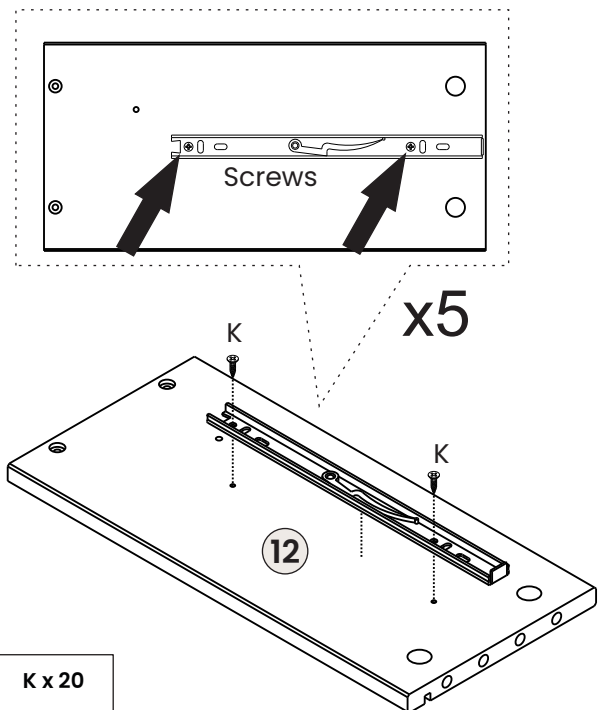


G x 4

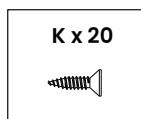
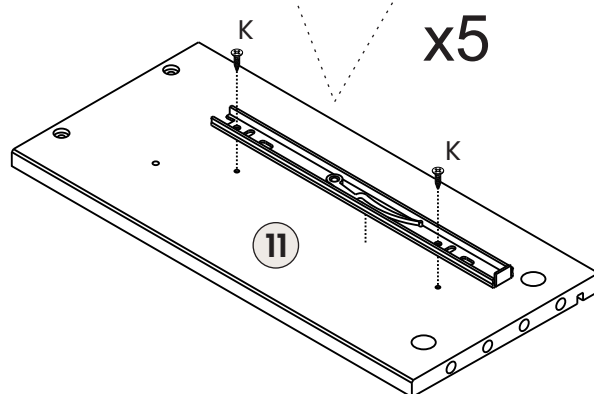
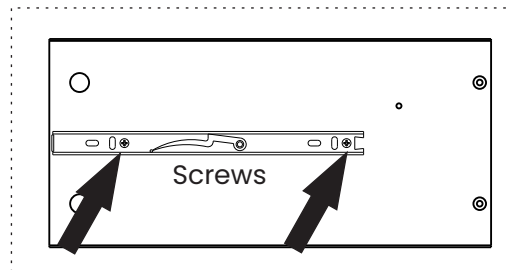


13

The sides of the drawers have pre-defined holes to help with fixing.
Correctly position the internal part of the slide (removed in step 10 on page 10)
with the pre-defined hole on the drawer side.
Then fix them with screw K.

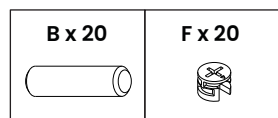
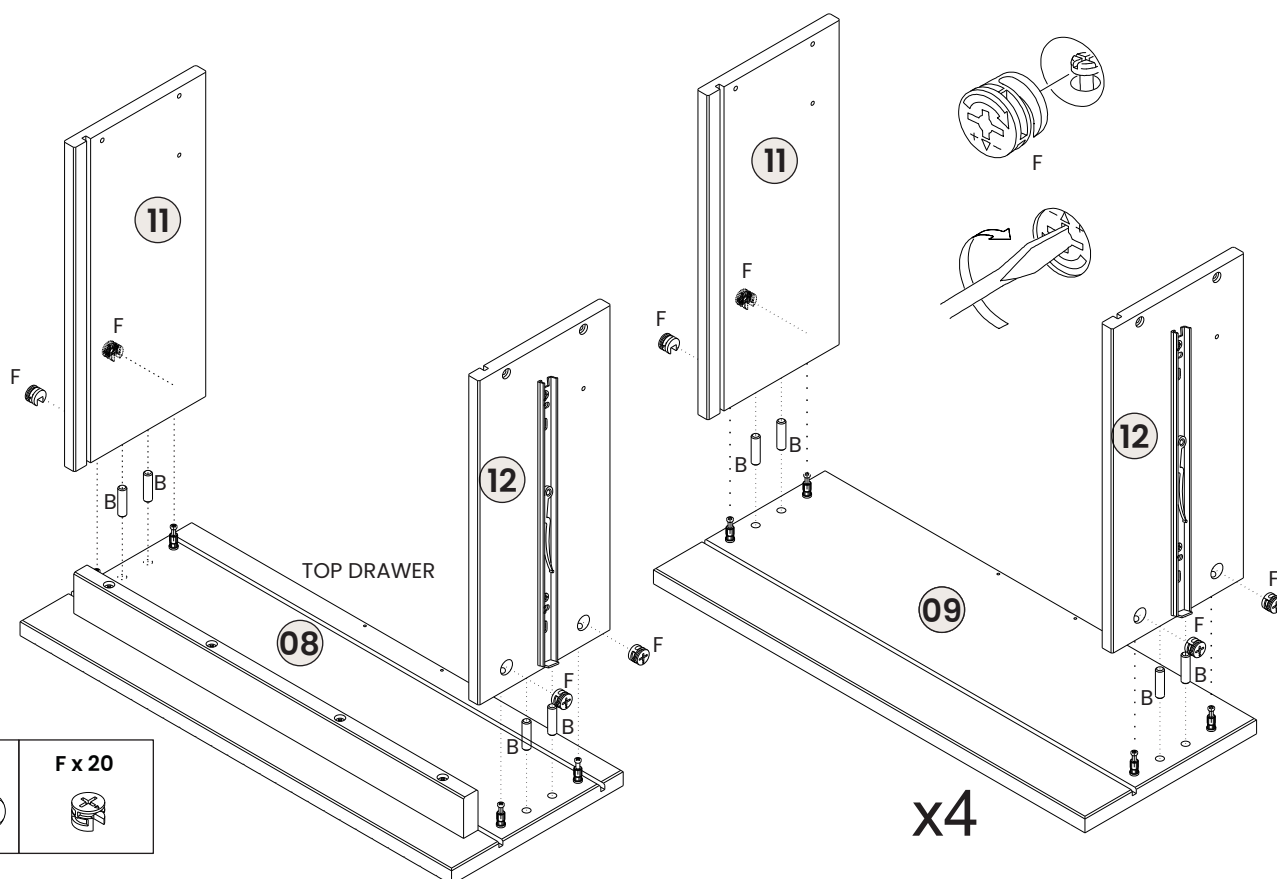


12



14

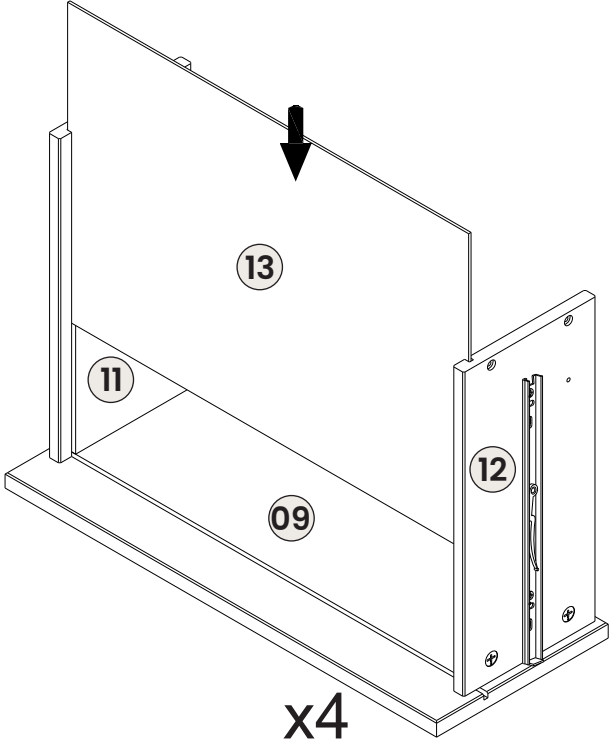
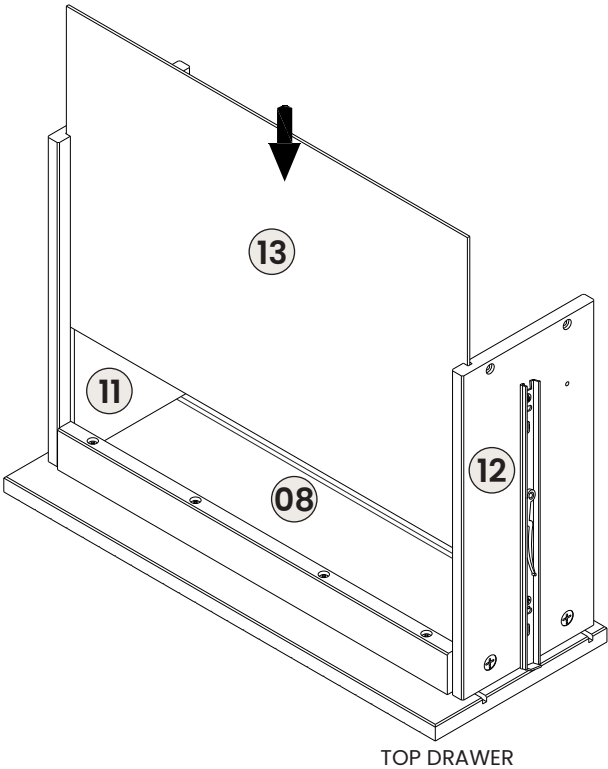
Attach the parts 08 to parts 11-12 with hardware B.
Then, apply the hardware F and lock it according the example below.
Equally, the same process is applied to parts 09-11-12.



15

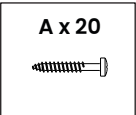
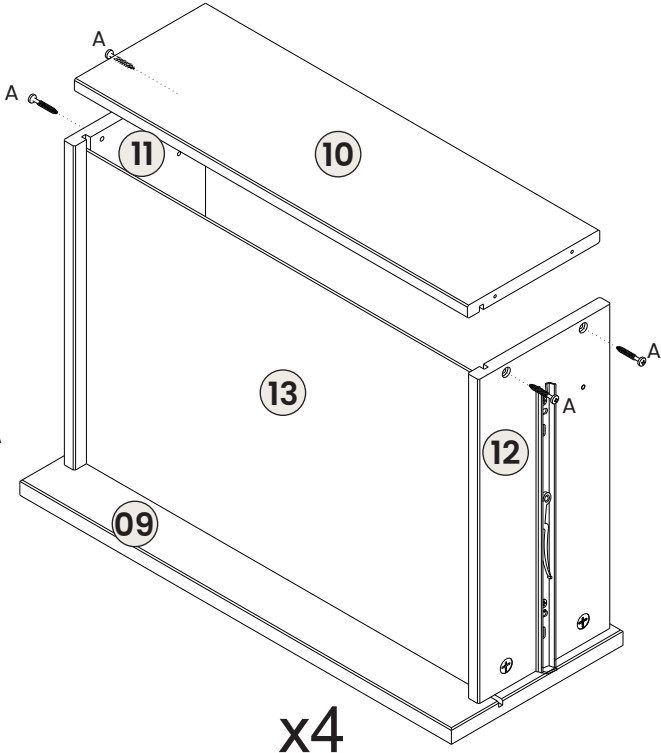
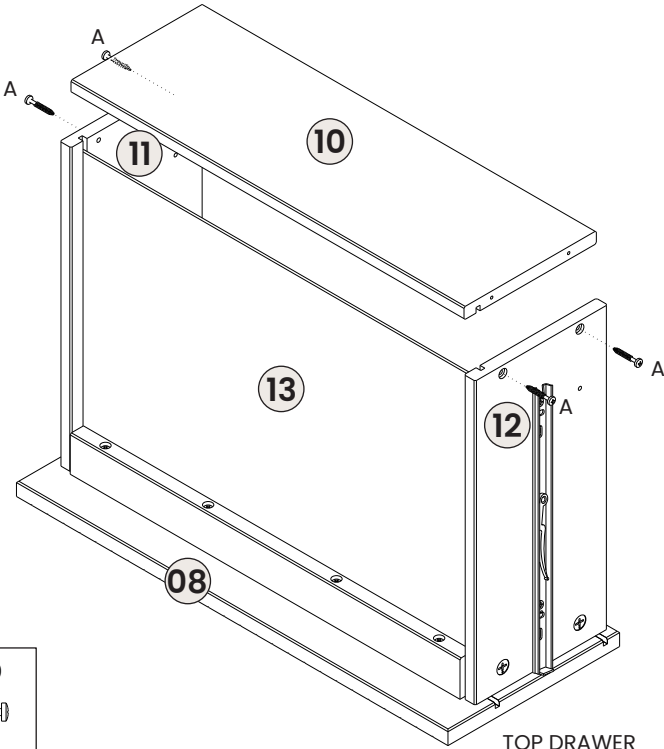
Apply the part 13 in the groove of the parts 11-12.

13



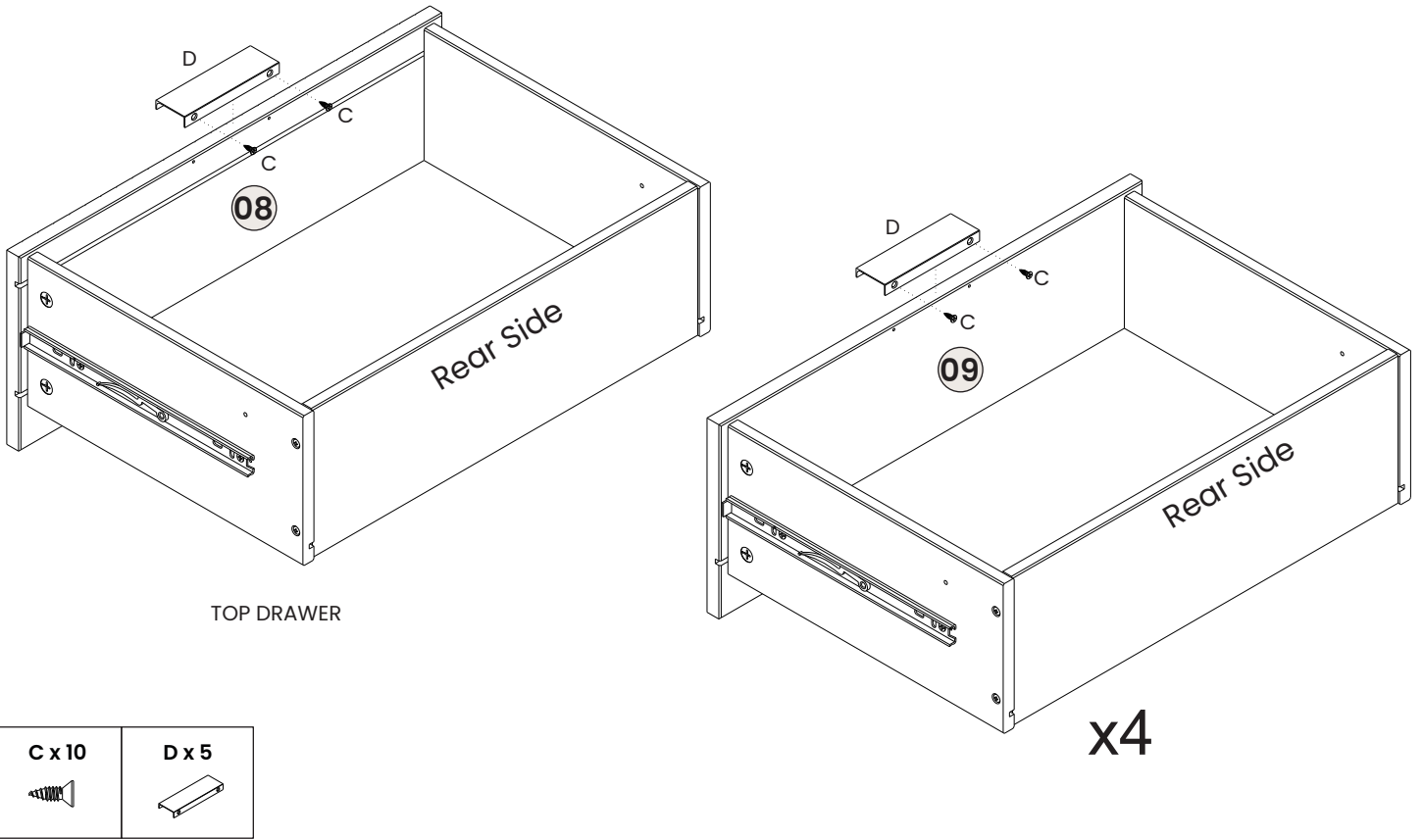
16

Attach the part 10 to parts 11-12-13. Then, fix the parts 11-12 to part 10 with screw A.

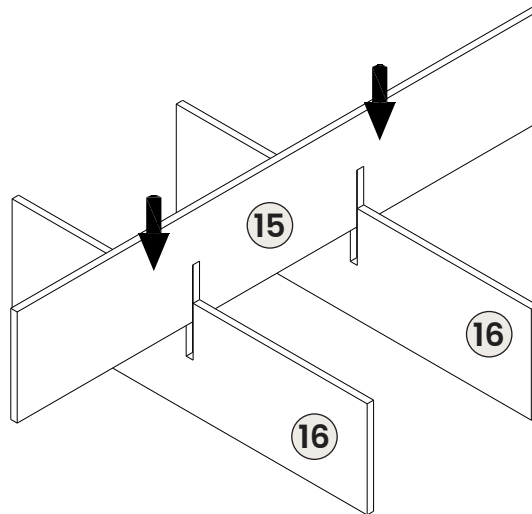


TOP DRAWER

17 Apply the hardware D to parts 08-09.
Then, fix them with screw C.



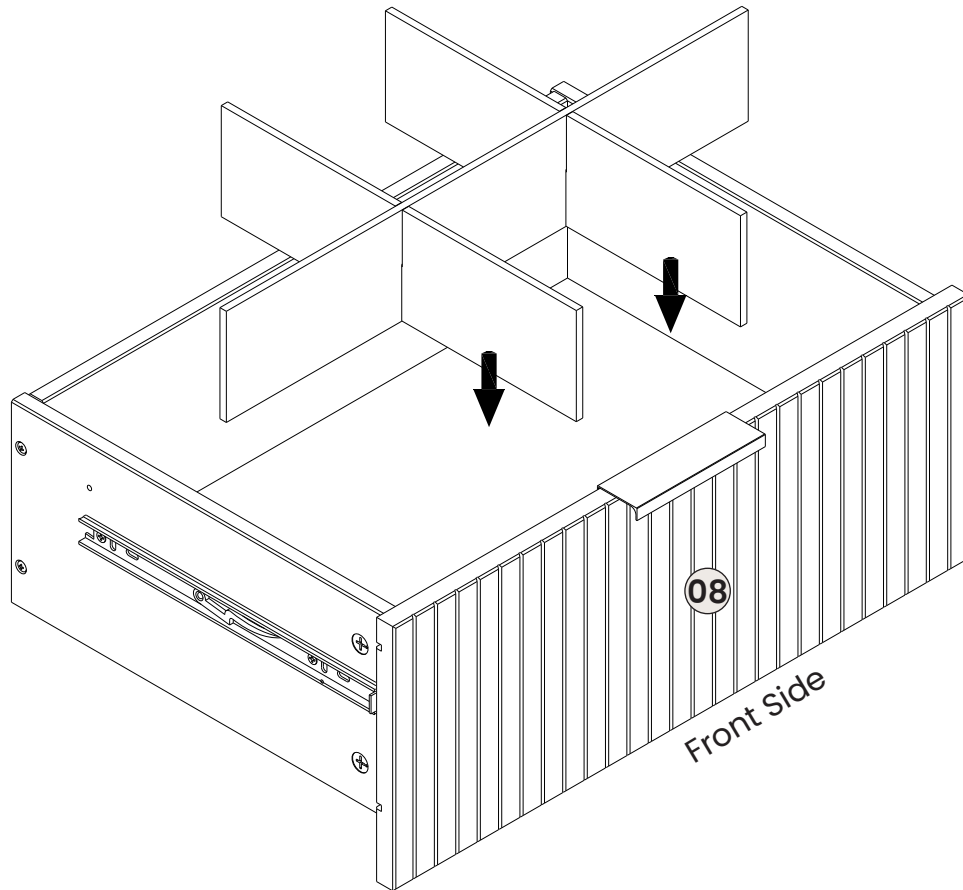
18 Attach part 15 to parts 16.



19

Attach Assembled Division from the last step into the Top Drawer identified by part 08.

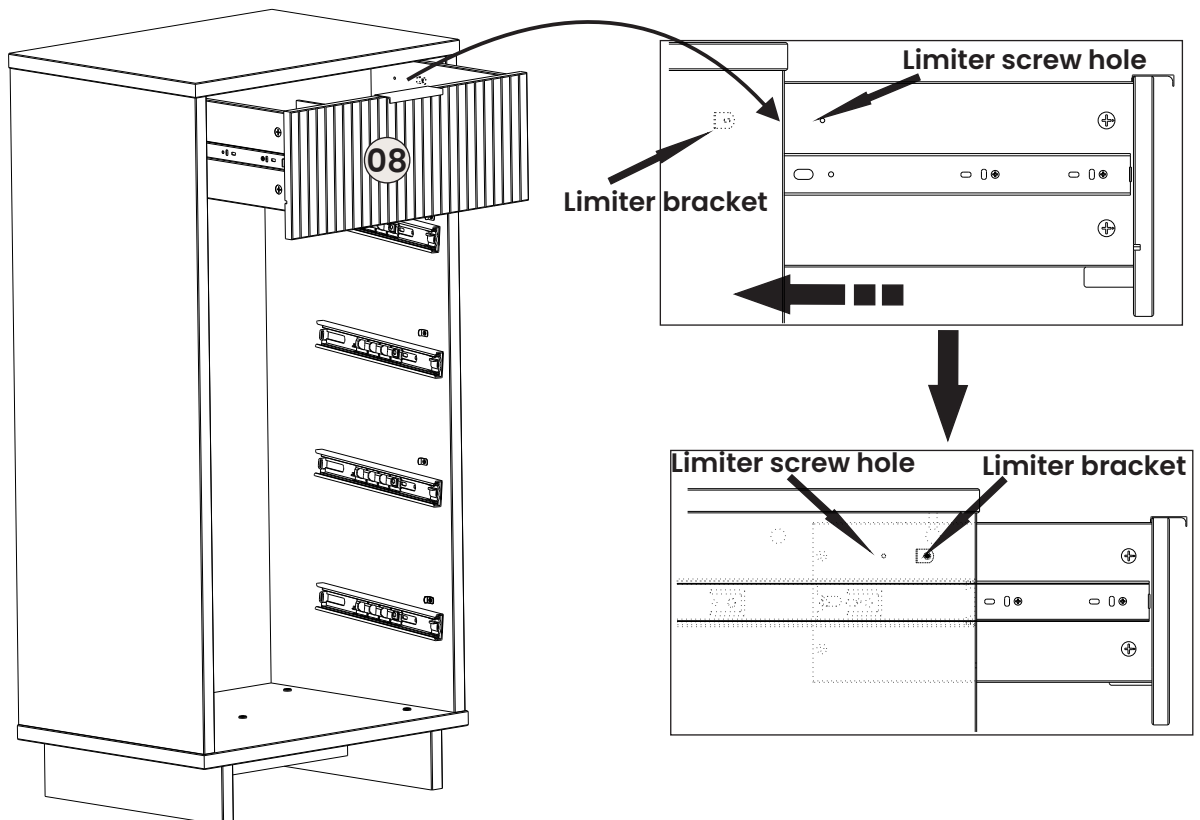
15



20

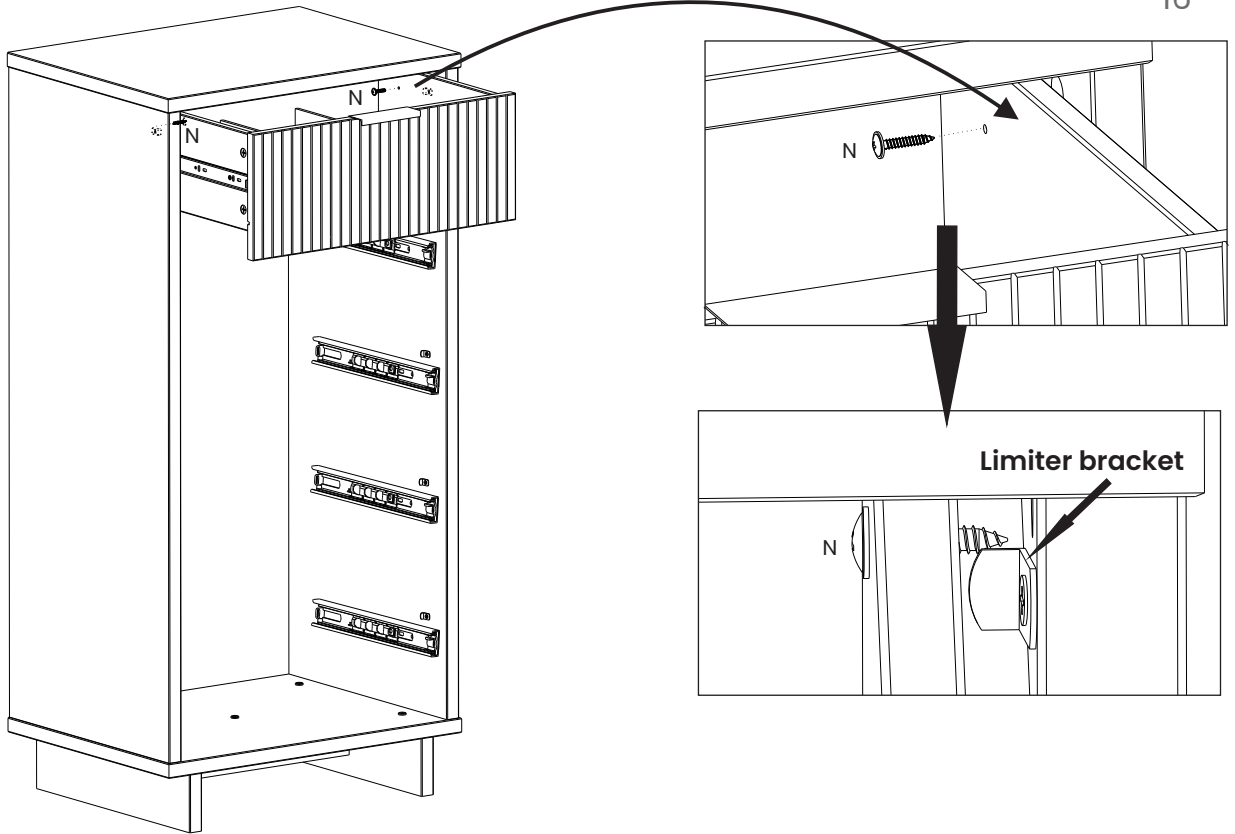
Insert the drawer carefully. You must put a drawer opening limiter screw.

Firstly, keep the drawer partially open so that the limiter screw hole is behind the limiter bracket according to the detail.



21

ATTENTION: ensure the limiter screw hole is before the limiter bracket.
Then, place the screw #PA.010 to retain the full opening of the drawer.

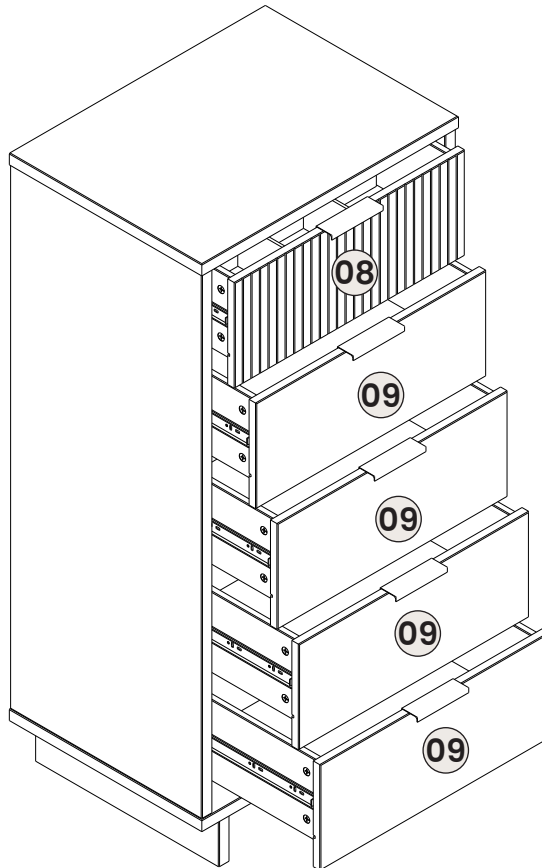


N x 2



22

Apply the same process to drawer opening limiter to the others drawers.



N x 8



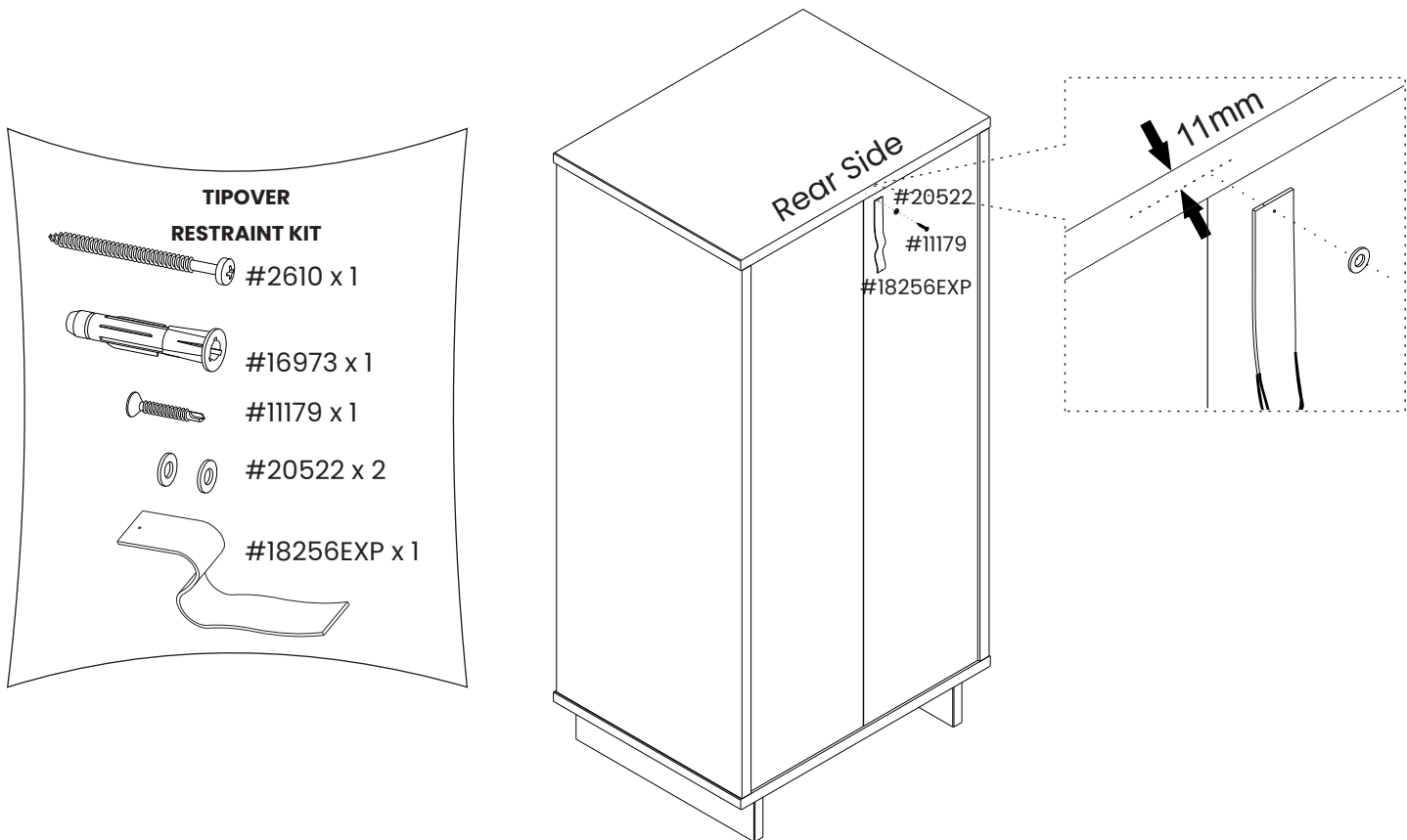
23

You must install the Tipover Restraint Kit (J) provided, in the rear side of the furniture.

Position the hardwares #18256EXP and #20522.

Fix them with screw #11179.

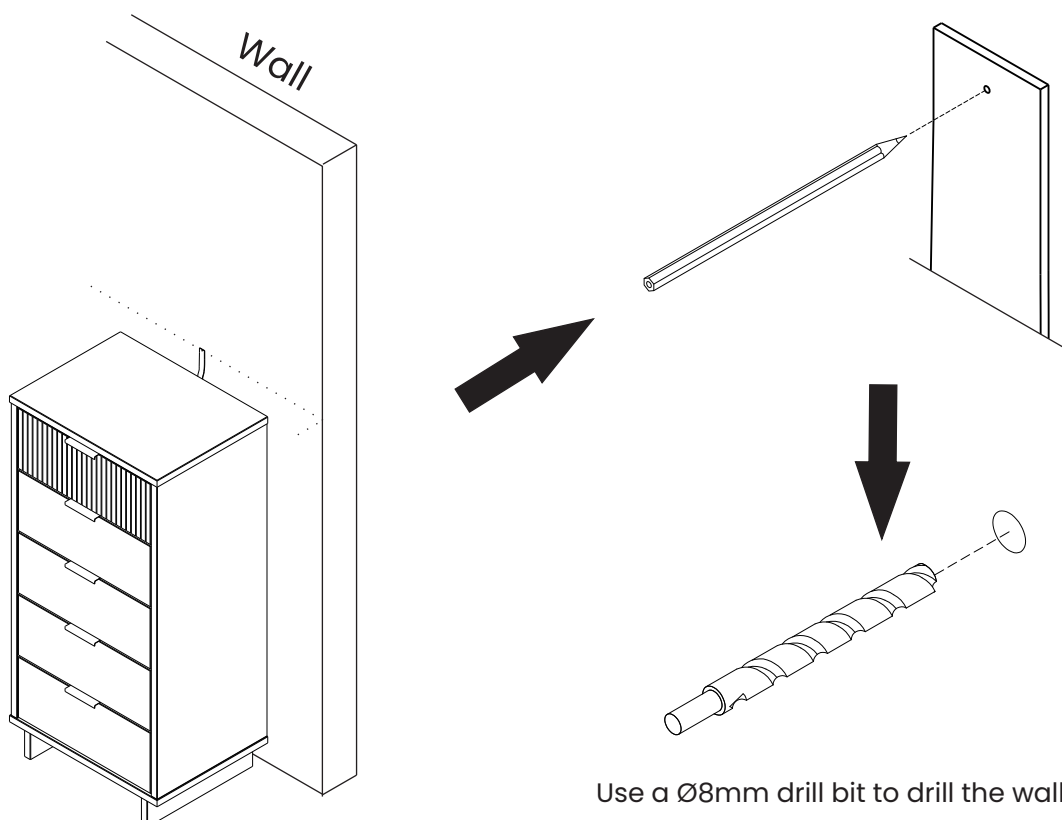
17



24

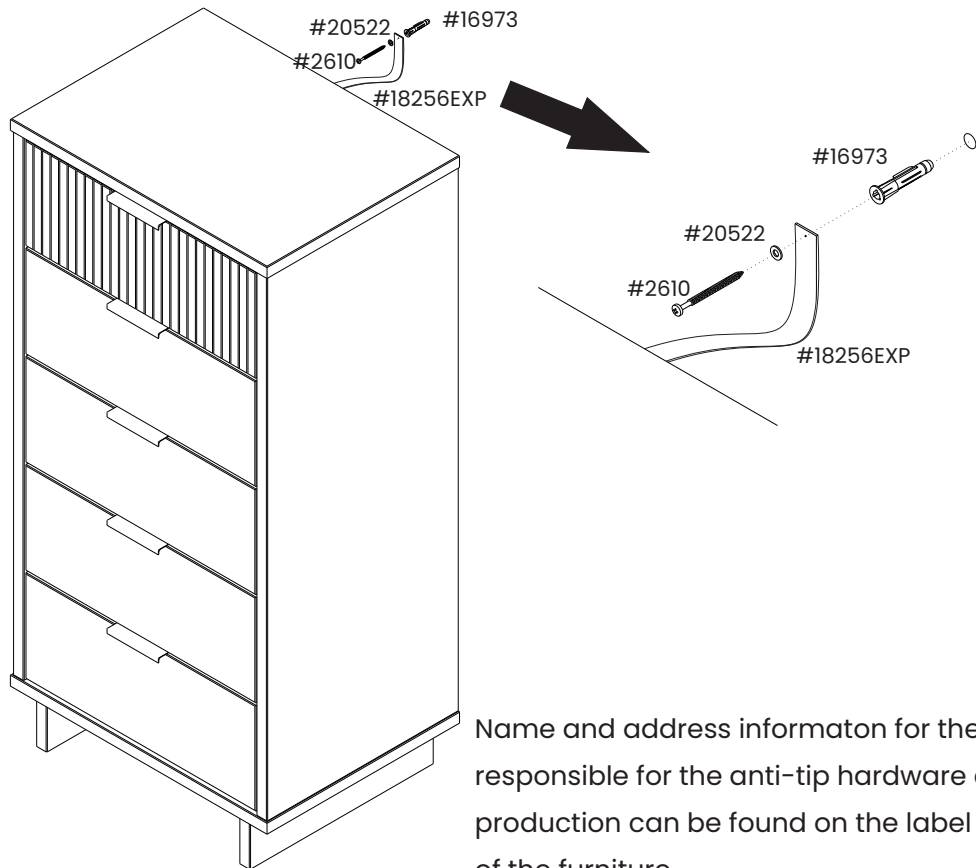
Approach the furniture as close as possible to the wall.

Then, mark with a pencil where you should drill the wall to put in the hardware.



Use a Ø8mm drill bit to drill the wall.

Put in the hardware #16973 to the hole that you drilled on the wall.
Then, position the hardware #18256EXP and #20522.
Finally, fix them with screw #2610.



Name and address information for the manufacturer responsible for the anti-tip hardware and date of production can be found on the label on the back of the furniture.

WARRANTY POLICY

All products are warranted, to the original purchaser at the time of purchase and for a period of 30 days thereafter.

Our warranty is limited to new products purchased in factory sealed cartons. This warranty is valid in us.

In order to provide you with timely assistance, please thoroughly inspect your furniture for missing or defective parts immediately after opening the carton.

Manhattan Comfort offers a 30-day parts replacement warranty on all items.

Our furniture products are not intended for outdoor use.

THE WARRANTY DOES NOT COVER:

- Defects/damages by improper assembly or disassembly.
- Defects/damages caused by shipping. Claims for damage during transit should be placed immediately to the transportation company.
- Defects/damages caused by inappropriate use of the furniture.