



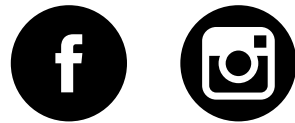
POLYWOOD

Assembly Instructions



Having Trouble?

If you have questions or concerns regarding assembly instructions or missing parts, please contact us at (833) 665-6300 or email support@polywoodoutdoor.com



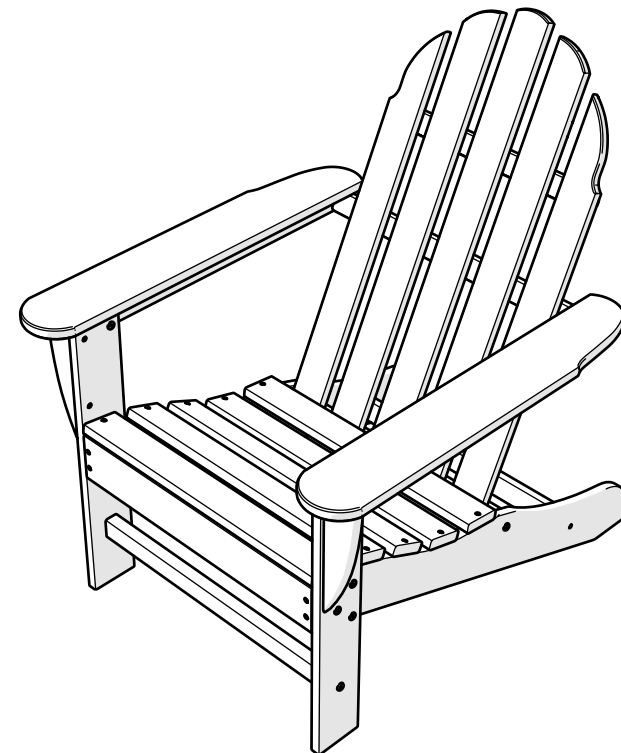
Share your space

We love to see where our furniture ends up — snap a pic and share it on Instagram or Facebook!
#polywood



Watch & Learn

For assembly videos and more, visit youtube.com/polywood



AD4030 Classic Adirondack Chair

20-Year Warranty

To view our full warranty, please visit polywoodoutdoor.com/warranty

Easily register your product using one of the methods below:

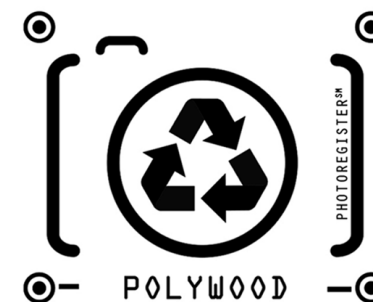
Text POLYWOOD to 71403
Receive a link to register online

— or —

Register on our website
register.polywoodoutdoor.com

— or —

Send a Picture
Take a photo of the icon below and text it to 71403 (US only)



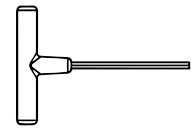
Cleaning Tips

Even POLYWOOD gets dirty — here are some ways to help keep it clean:

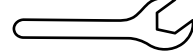
For a quick clean:
Simply wipe down with soap and water.

For a deeper clean:
You'll need:
» 1/3 bleach and 2/3 water solution
» clean cloth
» soft bristle brush
Wipe on solution with your cloth and let it sit on the lumber for a few minutes (this will not affect the color). Then, loosen any dirt and debris that may catch in surface grooves with a soft bristle brush; hose down to rinse.

TOOLS

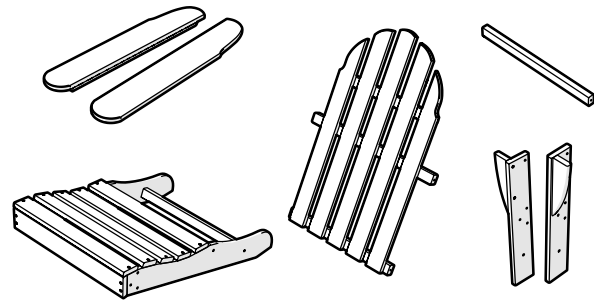


4mm T-handle hex key (included)



7/16" wrench (not included)

PARTS



A x6



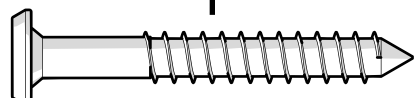
1.875" Bolt — H.25-20X1.875

B x2



2.25" Bolt — H.25-20X2.25

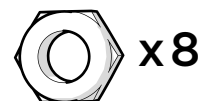
C x6



2" Screw — H.27X2



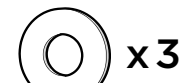
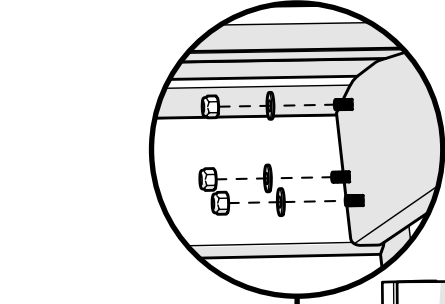
1/4 Flat Washer



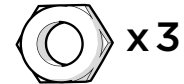
1/4-20 Nylock Nut

Something missing?
Call (833) 665-6300

1

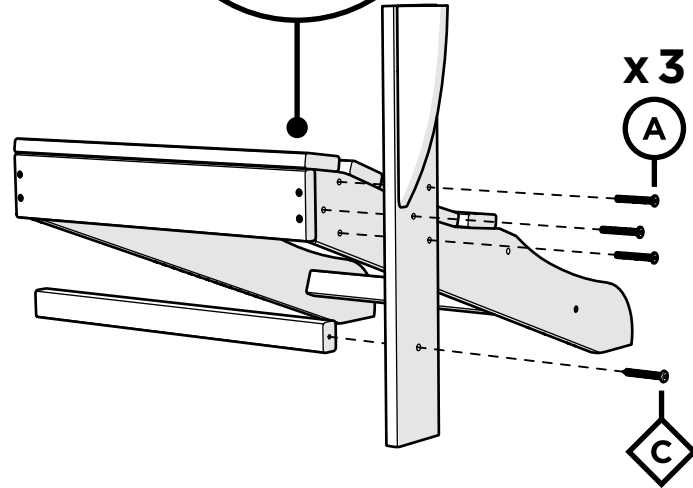


1/4 Flat Washer

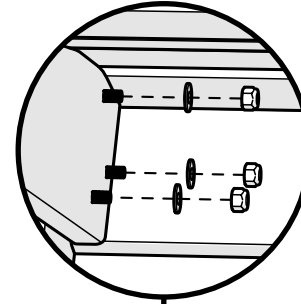


1/4-20 Nylock Nut

x3



2

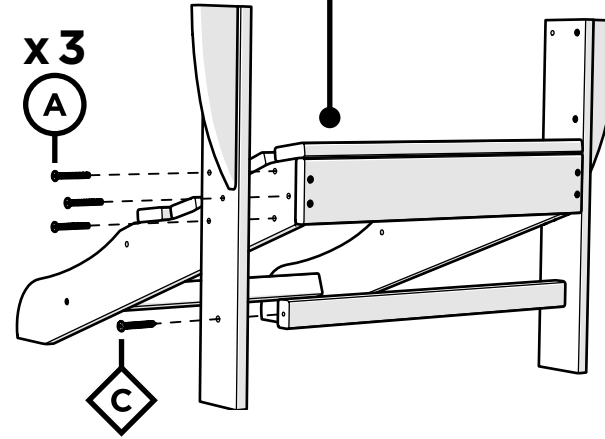


1/4 Flat Washer

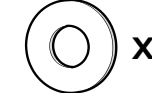


1/4-20 Nylock Nut

x3



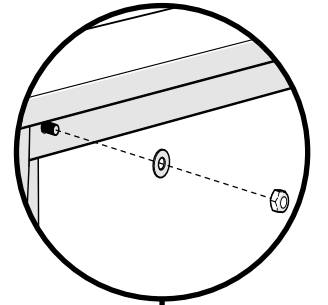
3



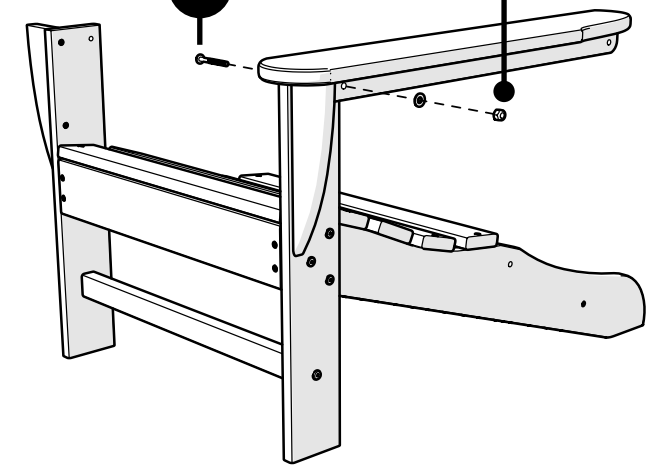
1/4 Flat Washer



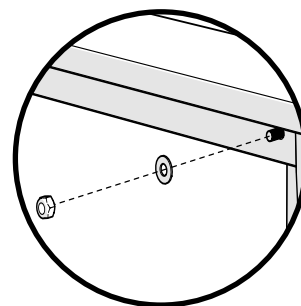
1/4-20 Nylock Nut



B



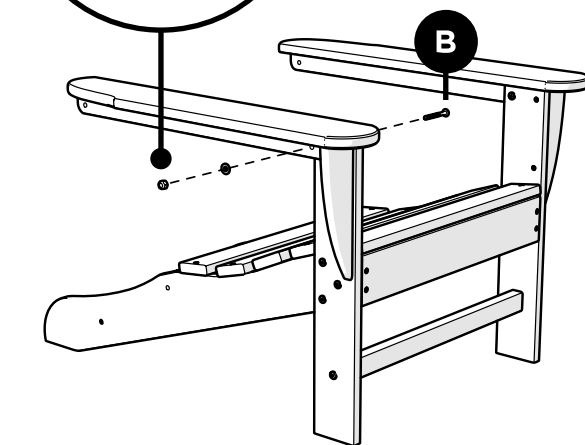
4



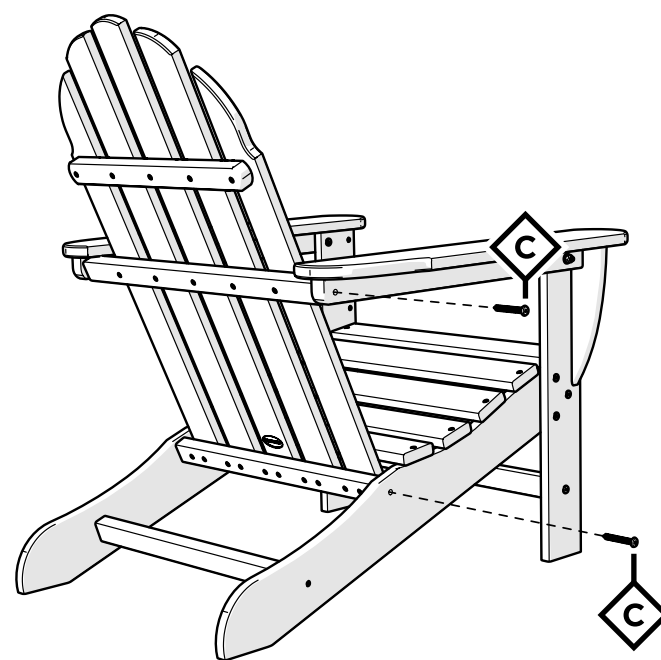
1/4 Flat Washer



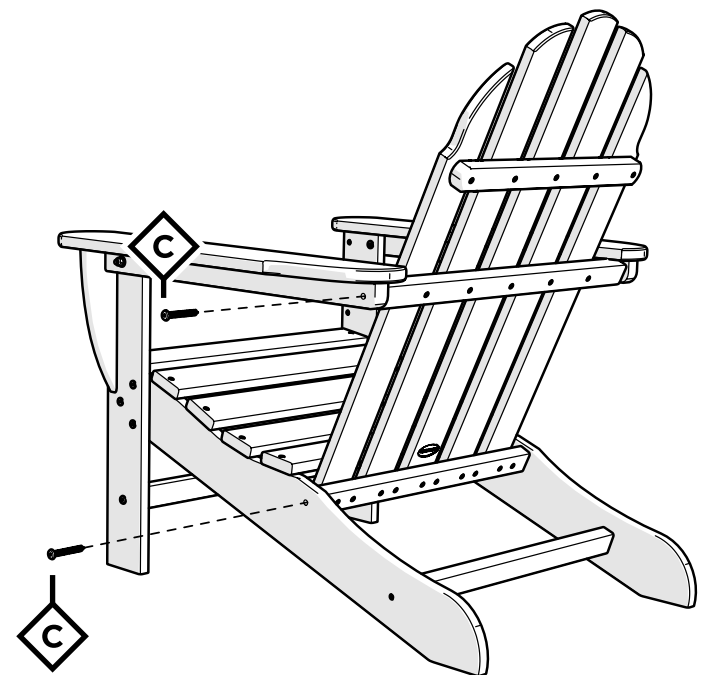
1/4-20 Nylock Nut



5



6





POLYWOOD

Assembly Instructions



Having Trouble?

If you have questions or concerns regarding assembly instructions or missing parts, please contact us at (833) 665-6300 or email support@polywoodoutdoor.com



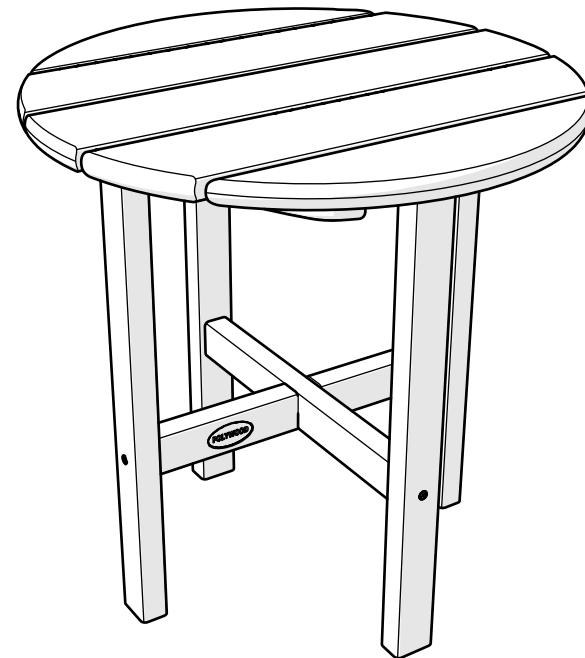
Share your space

We love to see where our furniture ends up — snap a pic and share it on Instagram or Facebook!
#polywood



Watch & Learn

For assembly videos and more, visit youtube.com/polywood



RST18

Round 18" Side Table

20-Year Warranty

To view our full warranty, please visit polywoodoutdoor.com/warranty

Easily register your product using one of the methods below:

Text POLYWOOD to 71403
Receive a link to register online

— or —

Register on our website
register.polywoodoutdoor.com

— or —

Send a Picture
Take a photo of the icon below and text it to 71403 (US only)



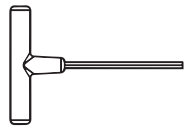
Cleaning Tips

Even POLYWOOD gets dirty — here are some ways to help keep it clean:

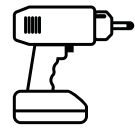
For a quick clean:
Simply wipe down with soap and water.

For a deeper clean:
You'll need:
» 1/3 bleach and 2/3 water solution
» clean cloth
» soft bristle brush
Wipe on solution with your cloth and let it sit on the lumber for a few minutes (this will not affect the color). Then, loosen any dirt and debris that may catch in surface grooves with a soft bristle brush; hose down to rinse.

TOOLS

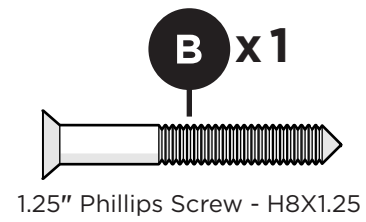
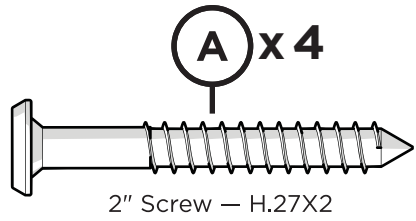
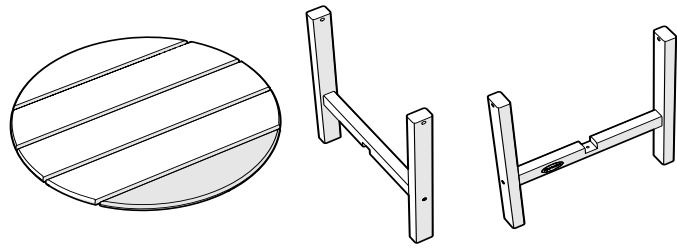


4mm T-handle
hex key (included)



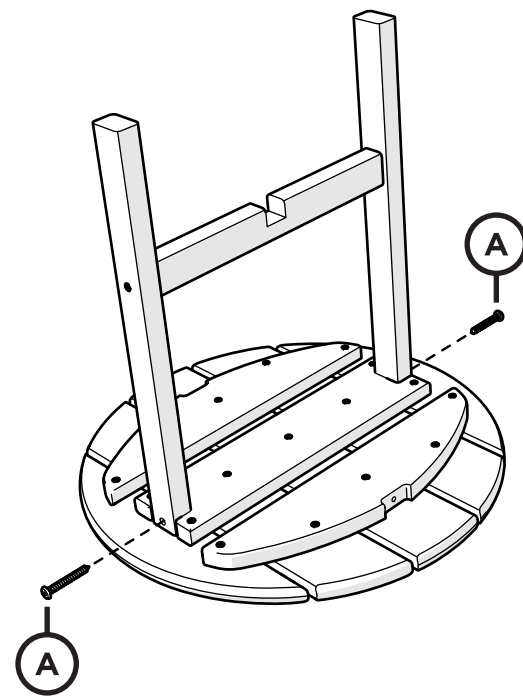
Phillips Screwdriver
(Screw Gun Recommended)
(Not Included)

PARTS

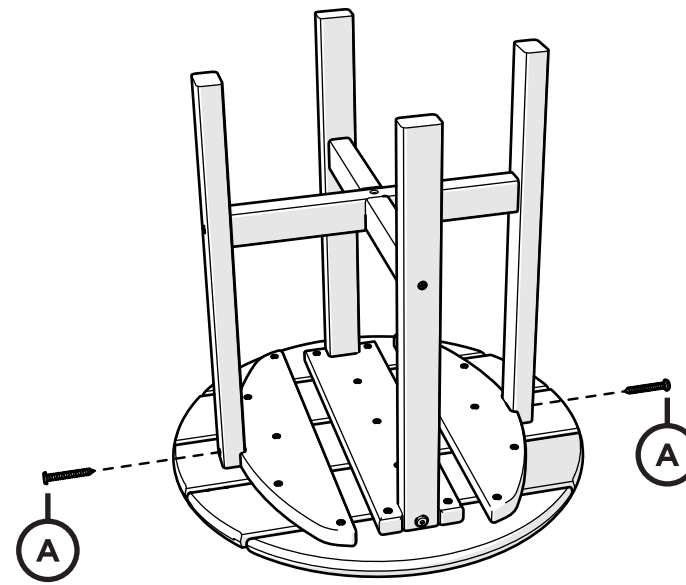


Something missing?
Call (833) 665-6300

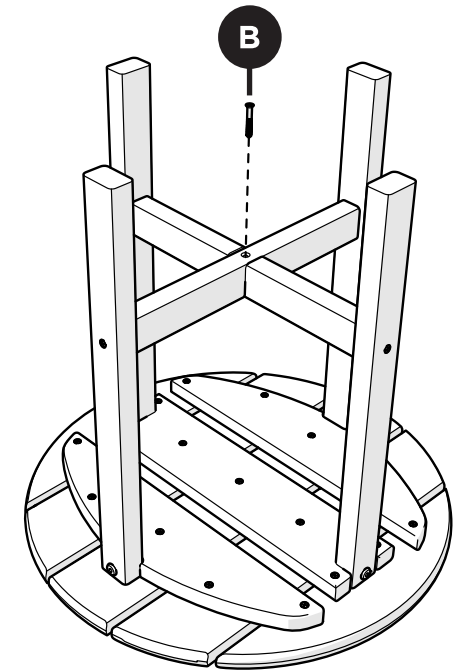
1



2



3



POLYWOOD