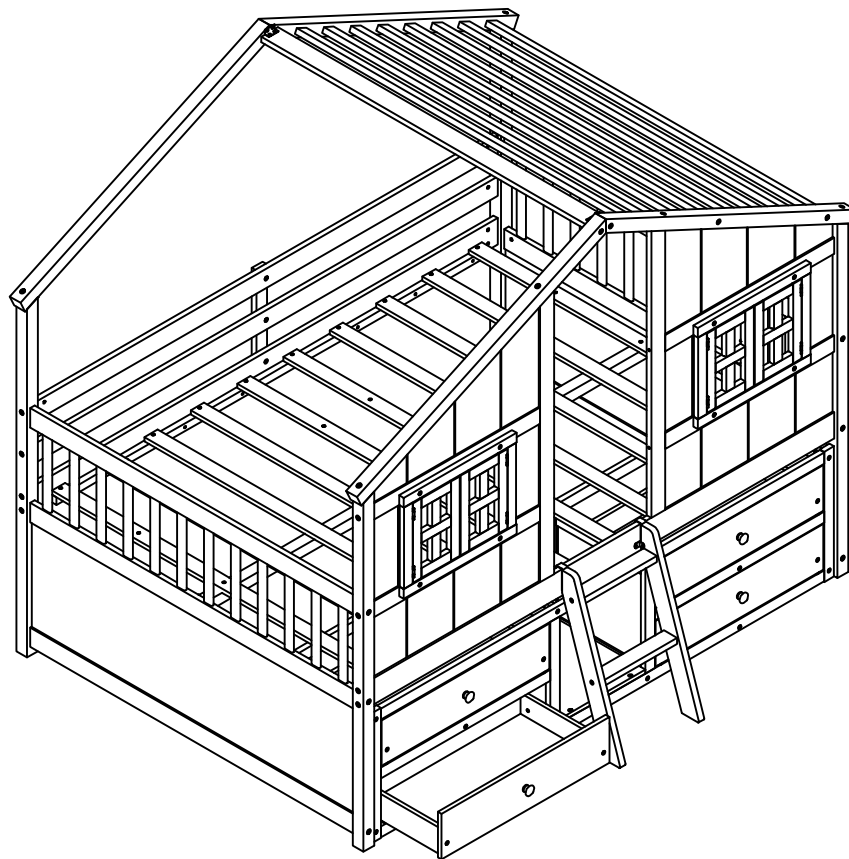


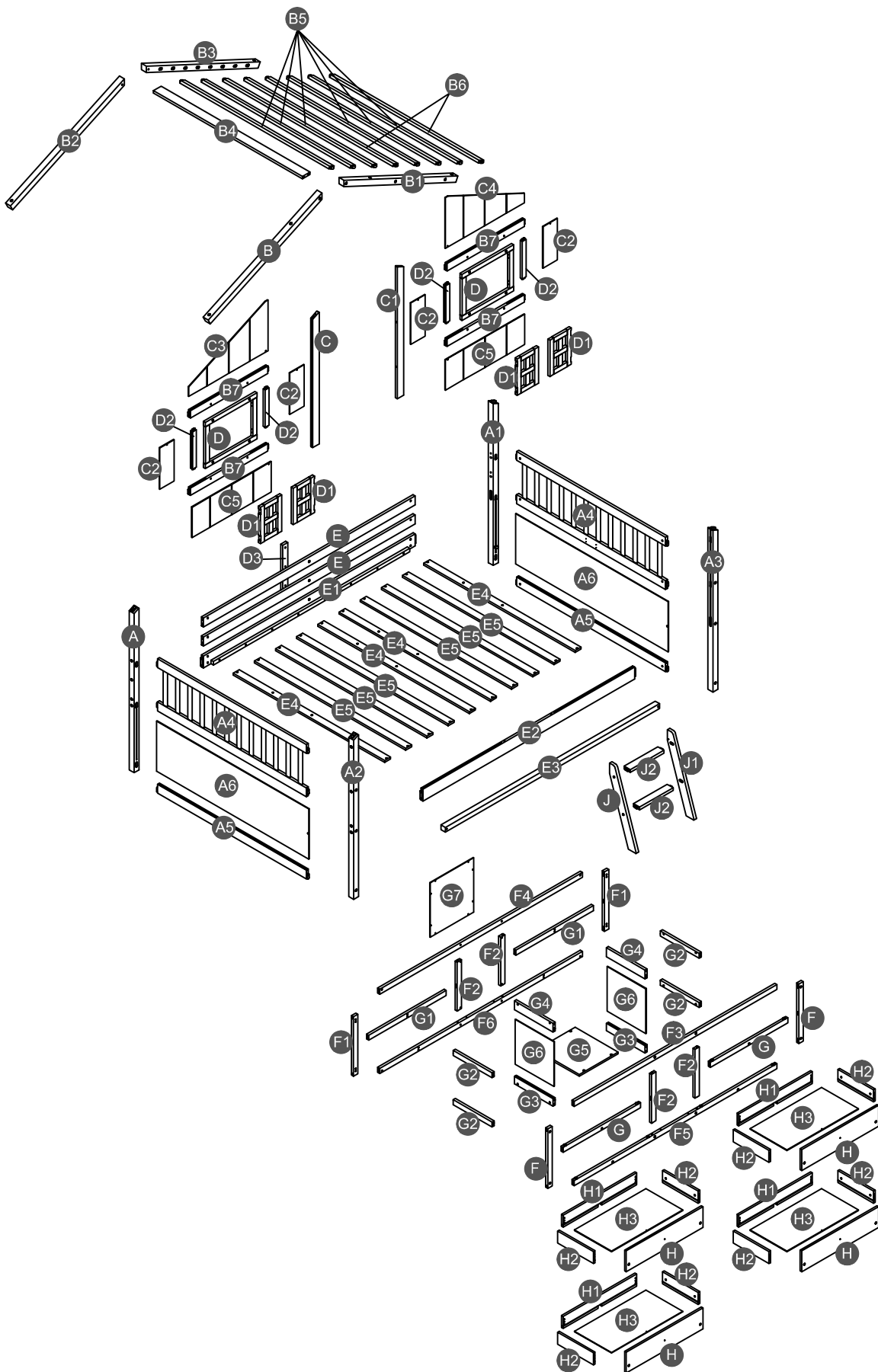
# ASSEMBLY INSTRUCTIONS

## FULL HOUSE LOFT BED WITH WINDOWS AND DRAWERS





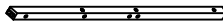

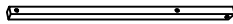
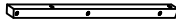


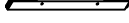




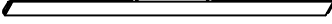











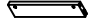
**SA33839**

# Detail View



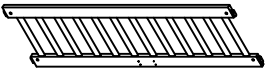
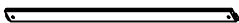
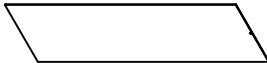



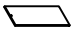

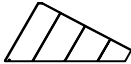
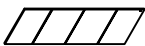
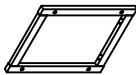





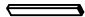





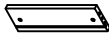
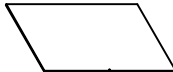
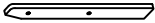


# Part List

## Hardware List SA33839 (1-2)

<b>A</b>  Leg (Left Back) - 1pc	<b>A1</b>  Leg (Right Back) - 1pc	<b>A2</b>  Leg (Left Front) - 1pc
<b>A3</b>  Leg (Right Front) - 1pc	<b>B</b>  Upper (Left Front) - 1pc	<b>B1</b>  Upper (Right Front) - 1pc
<b>B2</b>  Upper (Left Back) - 1pc	<b>B3</b>  Upper (Right Back) - 1pc	<b>B7</b>  Horizontal bar center (front) - 4pcs
<b>C</b>  Vertical bar (left front) - 1pc	<b>C1</b>  Vertical bar (right front) - 1pc	<b>E</b>  Long guard rail (back) - 2pcs
<b>E1</b>  Side rail (back) - 1pc	<b>E2</b>  Side rail (front) - 1pc	<b>E3</b>  Lower support slat - 1pc
<b>F</b>  Leg (front) - 2pcs	<b>F1</b>  Leg (back) - 2pcs	<b>F2</b>  Vertical bar (front/back) - 4pcs
<b>F3</b>  Upper horizontal bar (front) - 1pc	<b>F4</b>  Upper horizontal bar (back) - 1pc	<b>F5</b>  Lower horizontal bar (front) - 1pc
<b>F6</b>  Lower horizontal bar (back) - 1pc	<b>G</b>  Horizontal bar (front) - 2pcs	<b>G1</b>  Horizontal bar (back) - 2pcs
<b>G3</b>  Lower divider horizontal bar - 2pcs	<b>G4</b>  Upper divider horizontal bar - 2pcs	

# Part List

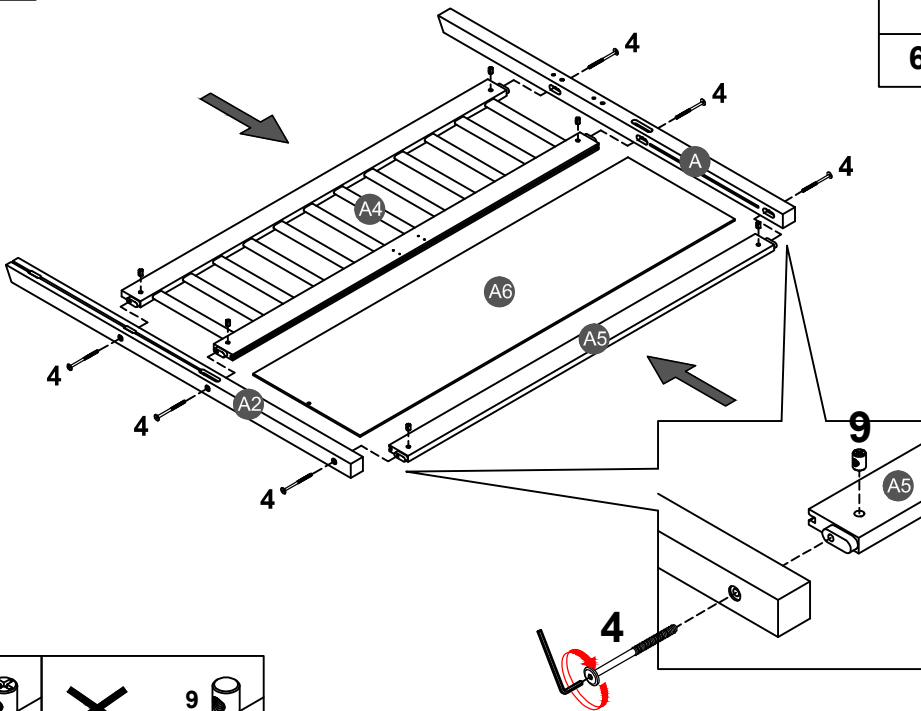
SA33839 (2-2)

<b>A4</b>  Frame HB/FB - 2pcs	<b>A5</b>  Horizontal bar HB/FB - 2pcs	<b>A6</b>  Side panel HB/FB - 2pcs
<b>B4</b>  Upper horizontal bar center - 1pc	<b>B5</b>  Upper horizontal bar - 6pcs	<b>B6</b>  Upper horizontal bar center - 2pcs
<b>C2</b>  Side panel (front) - 4pcs	<b>C3</b>  Upper side panel (left front) - 1pc	<b>C4</b>  Upper side panel (right front) - 1pc
<b>C5</b>  Lower side panel (front) - 2pcs	<b>D</b>  Frame window - 2pcs	<b>D1</b>  Window - 4pcs
<b>D2</b>  Vertical bar (front) - 4pcs	<b>D3</b>  Vertical guard rail - 1pc	<b>E4</b>  Slats - 4pcs
<b>E5</b>  Slats - 6pcs	<b>G2</b>  Horizontal bar (left/right) - 4pcs	<b>G5</b>  Bottom panel - 1pc
<b>G6</b>  Divider panel - 2pcs	<b>G7</b>  Back panel - 1pc	<b>H</b>  Drawer front panel - 4pcs
<b>H1</b>  Drawer back panel - 4pcs	<b>H2</b>  Left / Right drawer panel - 8pcs	<b>H3</b>  Bottom drawer panel - 4pcs
<b>J</b>  Left side ladder - 1pc	<b>J1</b>  Right side ladder - 1pc	<b>J2</b>  Step ladder - 2pcs

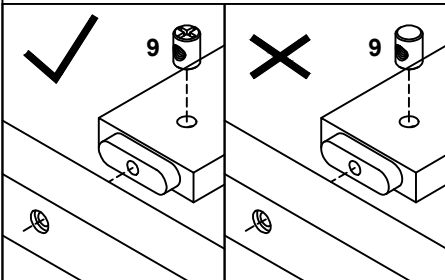
## Hardware List SA33839 (1-2)

<b>1</b>	 Ø10*40mm Wood dowel (4pcs)	<b>2</b>	 Ø8*30mm Wood dowel (62pcs)	<b>3</b>	 (Ø15)1/4"*100mm Hex-Head bolts (16pcs)
<b>4</b>	 (Ø15)1/4"*80mm Hex-Head bolts (24pcs)	<b>5</b>	 (Ø12)1/4"*70mm Hex-Head bolts (8pcs)	<b>6</b>	 (Ø12)1/4"*60mm Hex-Head bolts (44pcs)
<b>7</b>	 (Ø12)1/4"*40mm Hex-Head bolts (2pcs)	<b>8</b>	 (Ø12)1/4"*30mm Hex-Head bolts (11pcs)	<b>9</b>	 1/4"*15 (9.5mm) Horizontal-hole bolts(92pcs)
<b>10</b>	 Ø4*30mm Wood screws (24pcs)	<b>11</b>	 (Ø12)1/4"*65mm Hex-Head bolts (6pcs)	<b>12</b>	 (Ø12)1/4"*40mm Hex-Head bolts (4pcs)
<b>13</b>	 38*16.5*1.2mm Hinges (8pcs)	<b>14</b>	 60*38*10mm Lock (2pcs)	<b>15</b>	 40*17*47*1.6mm Metal bracket (2pcs)
<b>16</b>	 80*28*20*(2mm) Hooks (2pcs)	<b>17</b>	 21*21*17*1.7mm Metal bracket (2pcs)	<b>18</b>	 Ø4*20mm Wood screws (10pcs)
<b>19</b>	 Ø3.5*15mm Wood screws (80pcs)	<b>20</b>	 Ø3.5*15mm Wood screws (8pcs)	<b>21</b>	 Ø38*31mm Pine Knob (4pcs)
<b>22</b>	 3/16"*25mm Ph zinc(Knob) (4pcs)	<b>23</b>	 365*58*28 mm Lower slider drawer (4pcs)	<b>24</b>	 340*30 mm Upper slider drawer (4pcs)
<b>25</b>	 (Ø13)1/4"*14mm Connect bolt (2pcs)	<b>26</b>	 116*40*27mm Metal bracket (2pcs)	<b>27</b>	 75*20*2mm Metal bracket (2pcs)
<b>28</b>	 (1/4")4.5*58mm Allen key (2pcs)	<div style="display: flex; align-items: center; justify-content: center;">  <div style="border: 1px solid black; padding: 5px; text-align: center;"> <p>ASSEMBLY TOOLS REQUIRED ( NOT INCLUDED )</p>  <p style="font-size: small;">PLEASE BE CAREFUL DO NOT DAMAGE THE HOLE POSITION WHEN YOU USE POWER TOOLS !</p> </div> </div>			

**STEP 1:**

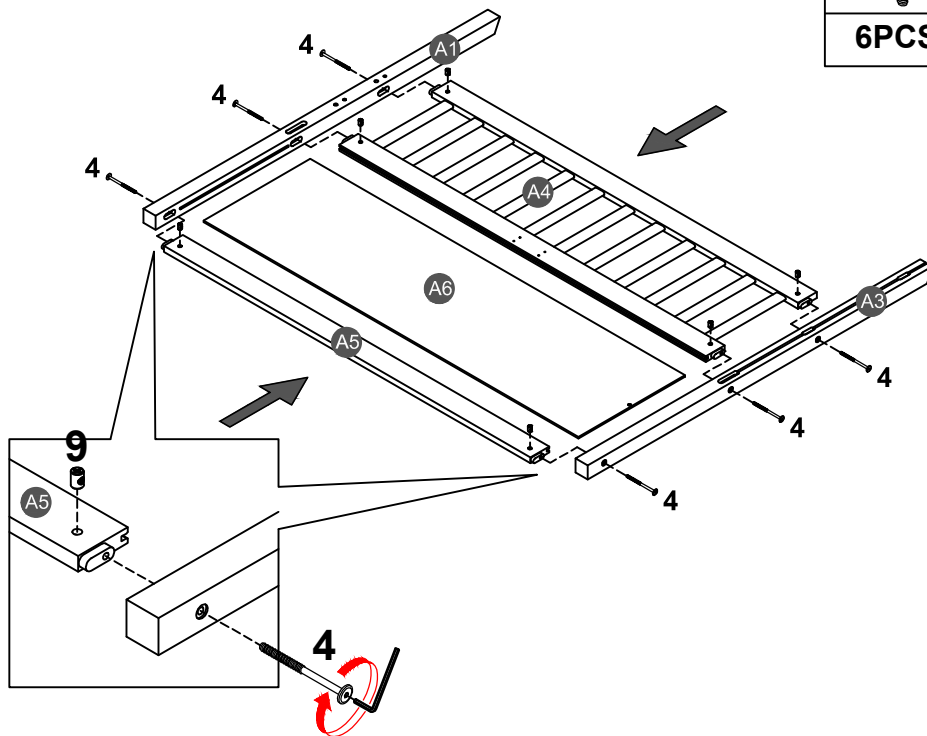


<b>4</b>		<b>9</b>	
<b>6PCS</b>		<b>6PCS</b>	




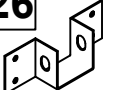
Note: Part 9 will face up with the "x" mark on it, otherwise it cannot be tightened

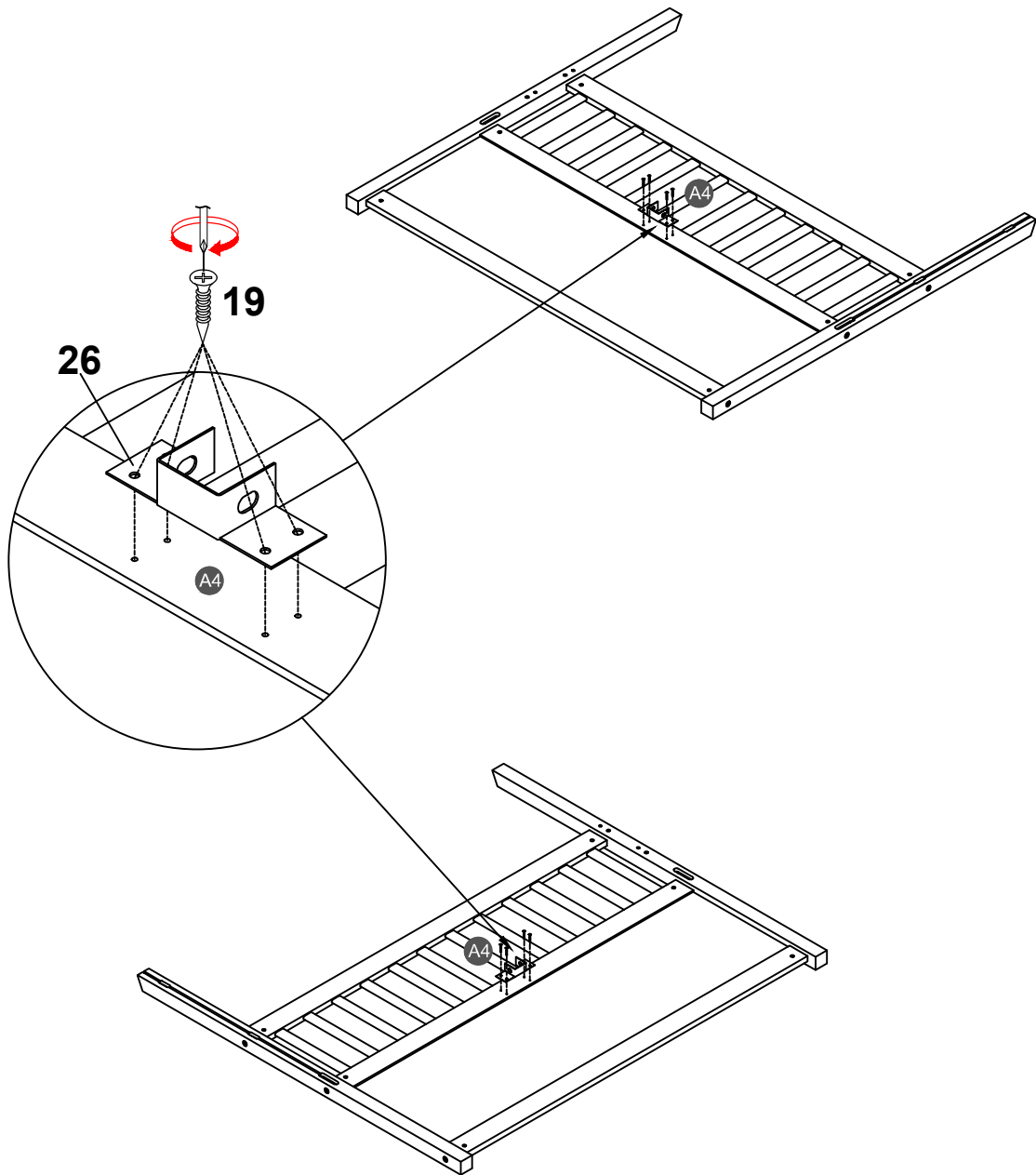
**STEP 2:**



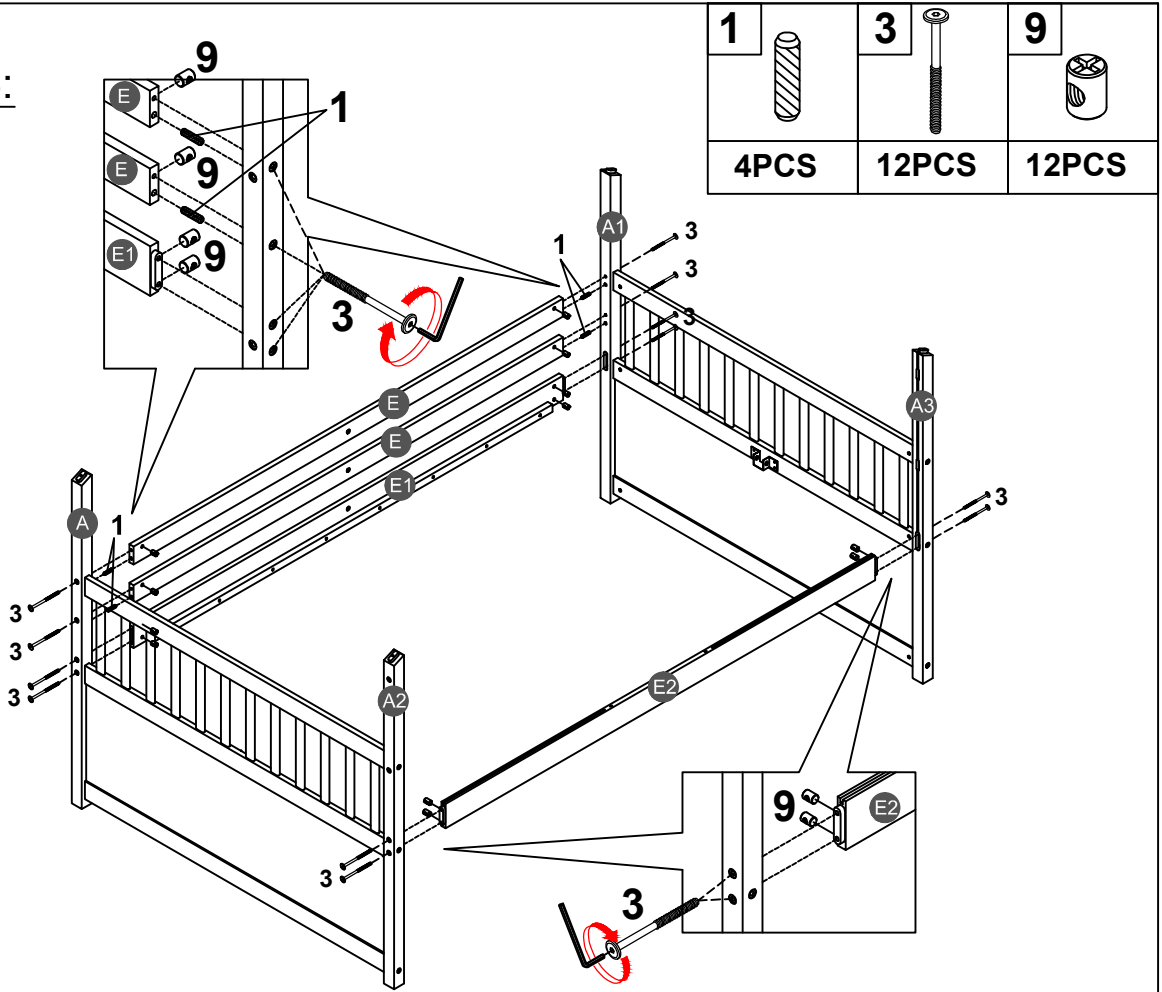
<b>4</b>		<b>9</b>	
<b>6PCS</b>		<b>6PCS</b>	

**STEP 3:**

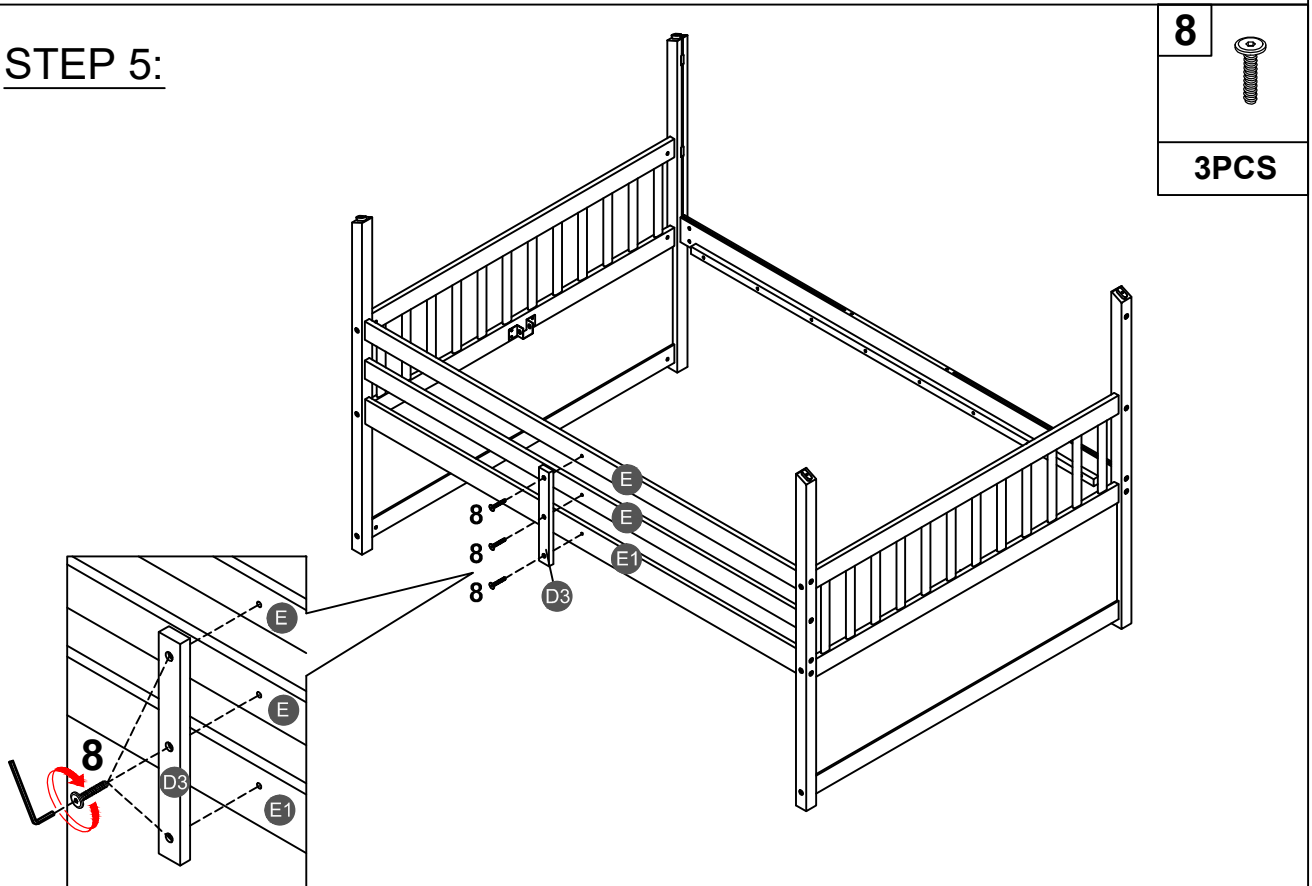
<b>19</b>	<b>26</b>
	
<b>8PCS</b>	<b>2PCS</b>







**STEP 4:**

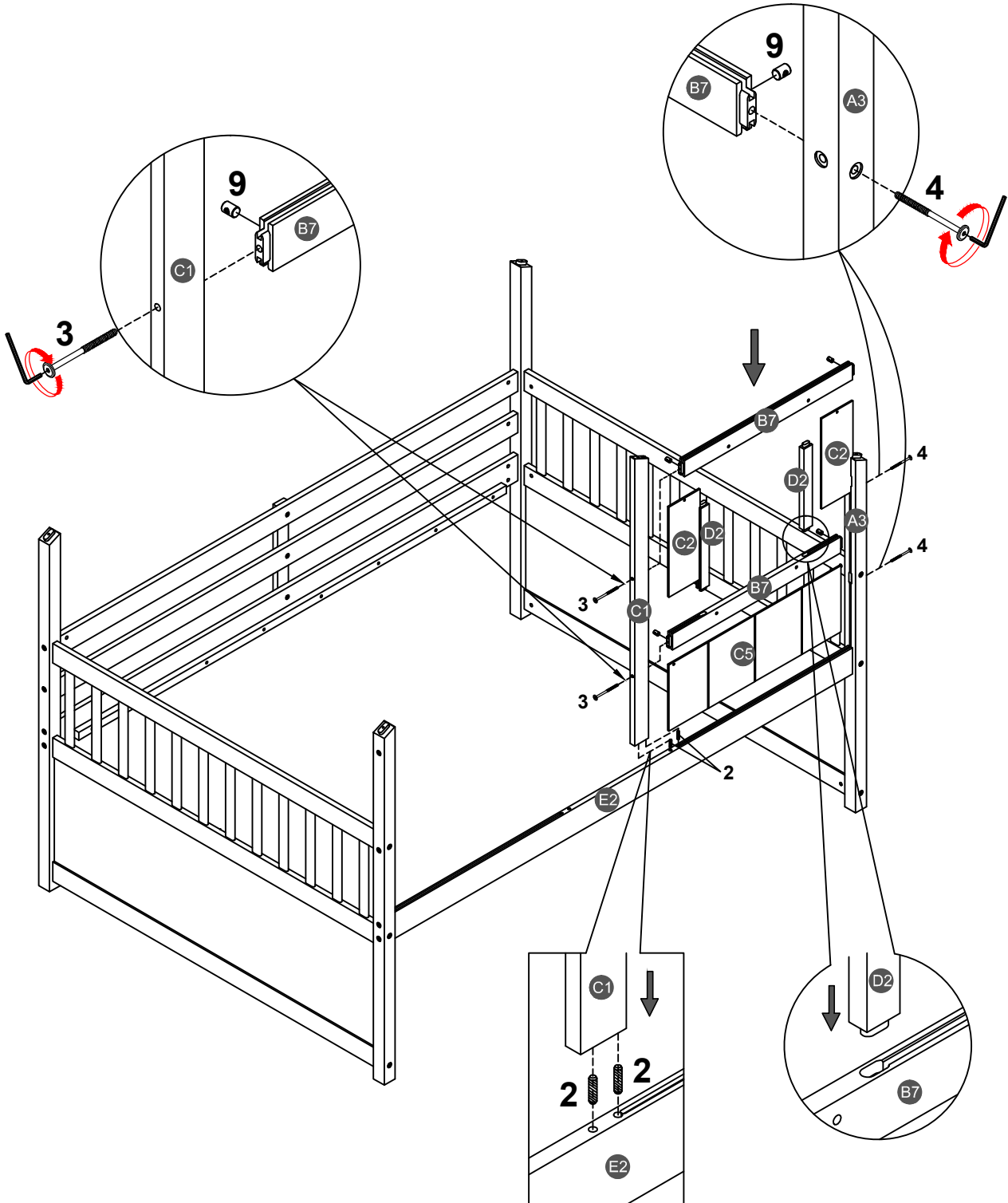


**STEP 5:**







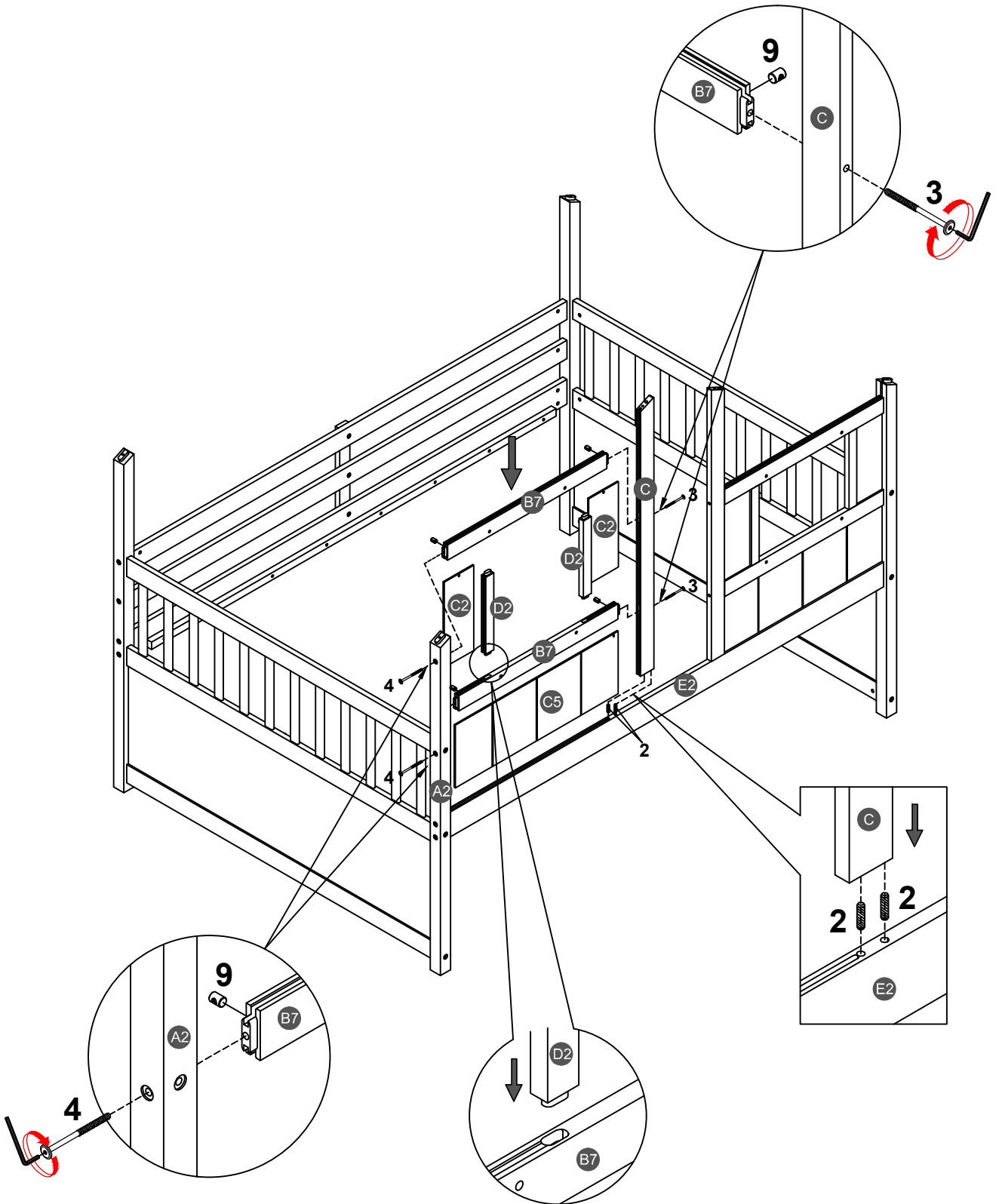
**STEP 6:**

<b>2</b>		<b>3</b>		<b>4</b>		<b>9</b>	
<b>2PCS</b>		<b>2PCS</b>		<b>2PCS</b>		<b>4PCS</b>	

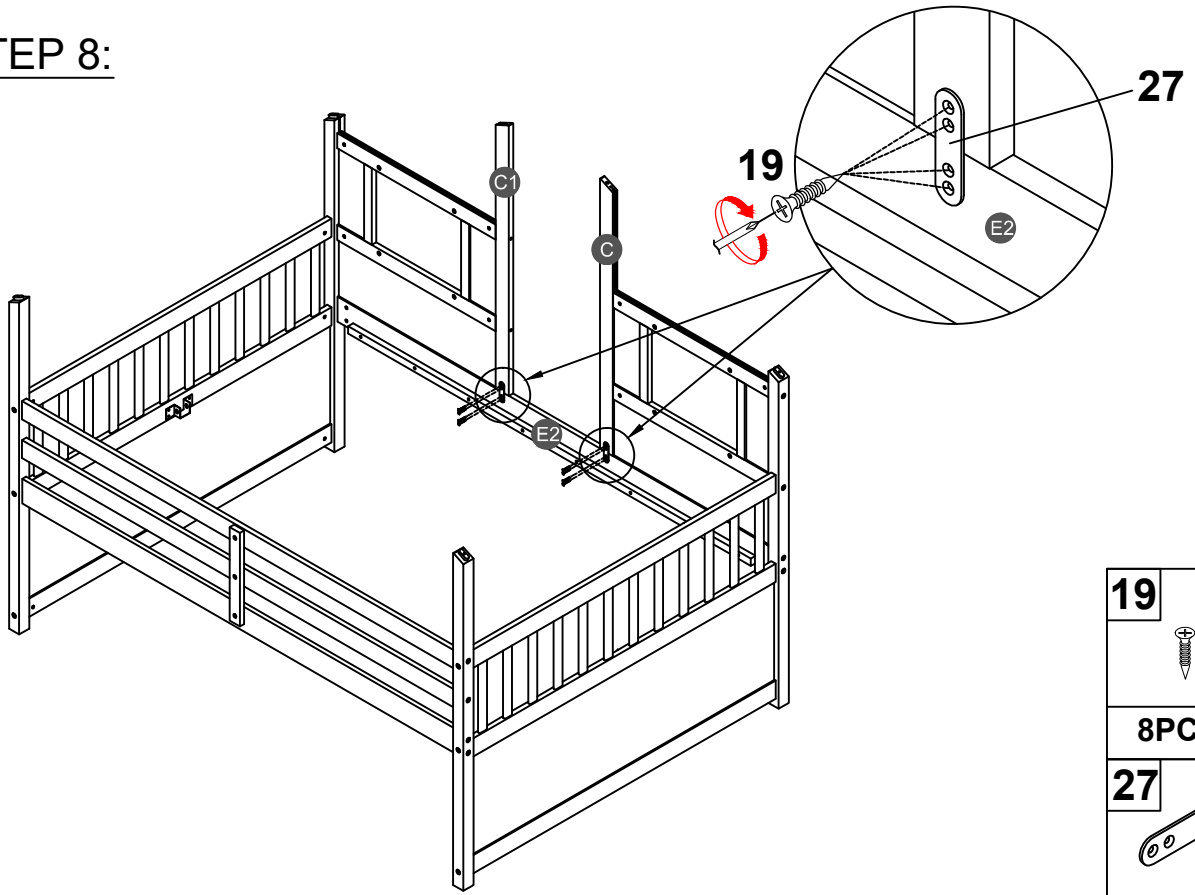



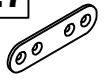
**STEP 7:**

<b>2</b>		<b>3</b>		<b>4</b>		<b>9</b>	
<b>2PCS</b>		<b>2PCS</b>		<b>2PCS</b>		<b>4PCS</b>	

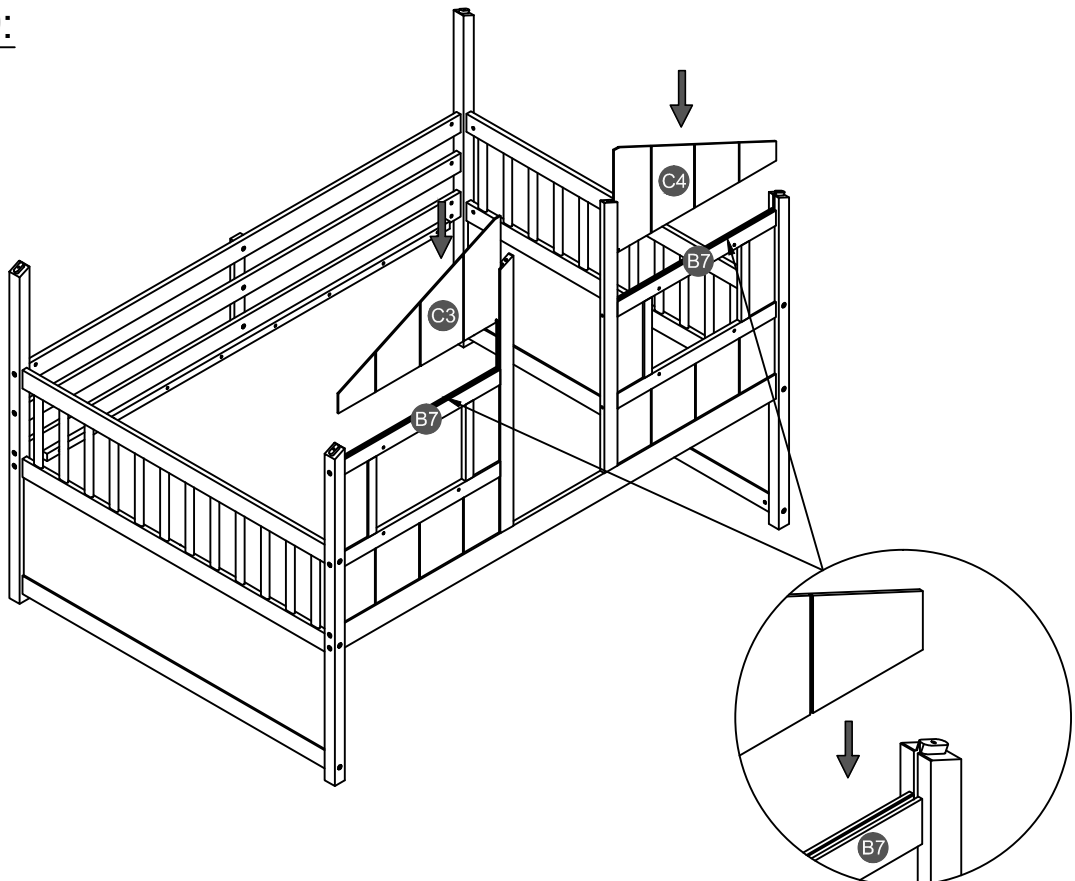


**STEP 8:**

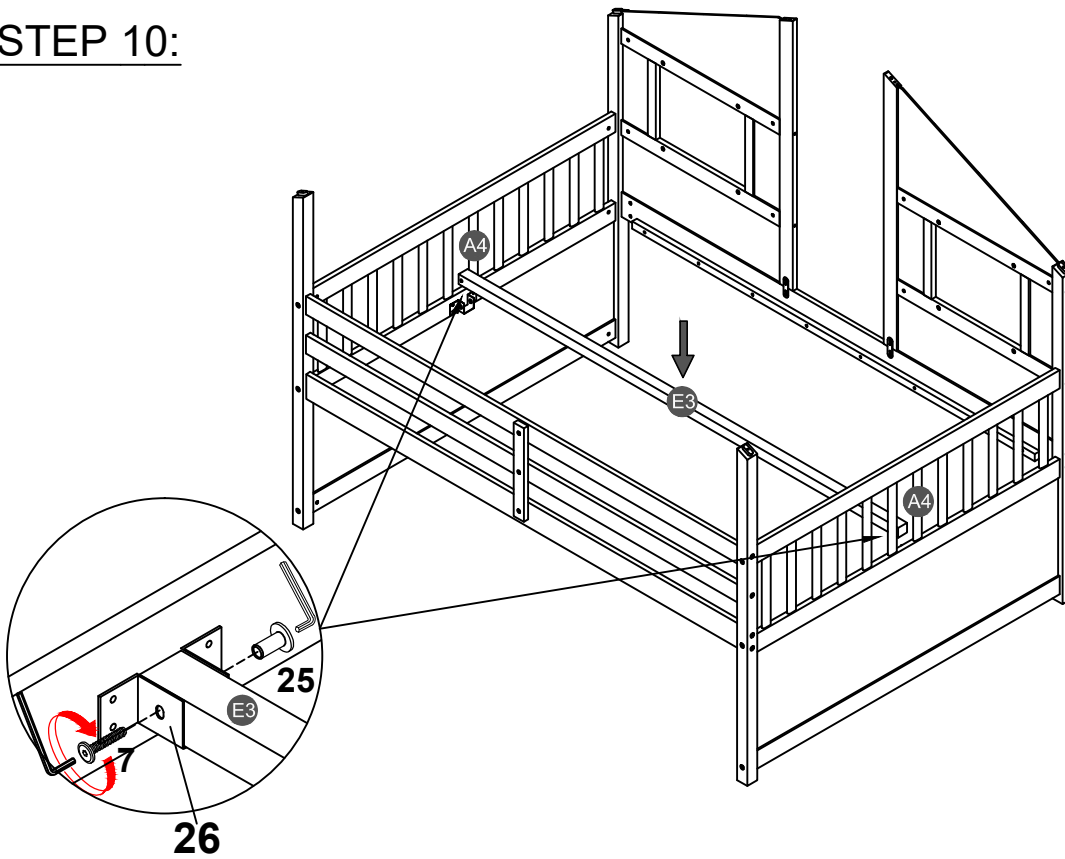


<b>19</b>

<b>8PCS</b>
<b>27</b>

<b>2PCS</b>

**STEP 9:**



### STEP 10:



7



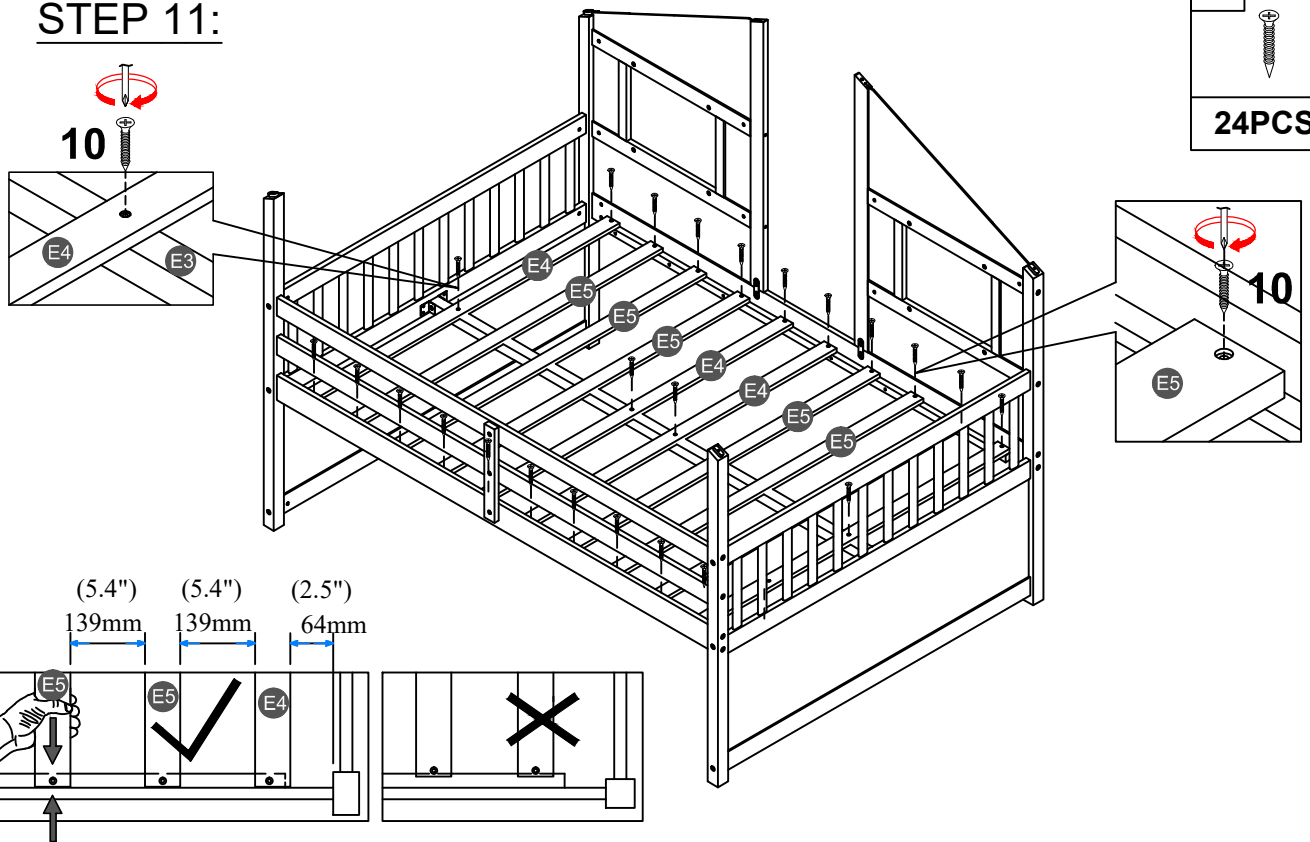
2PCS

25



2PCS

### STEP 11:



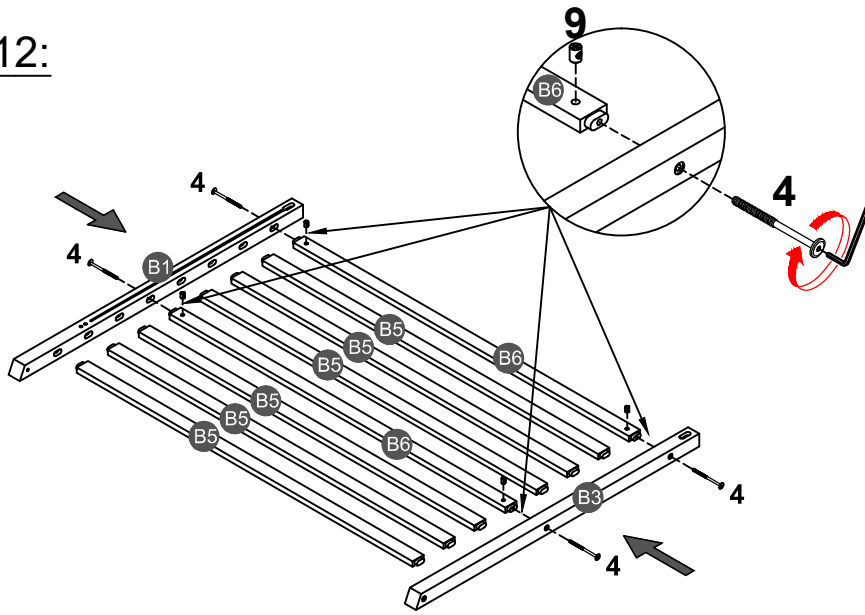
10



24PCS

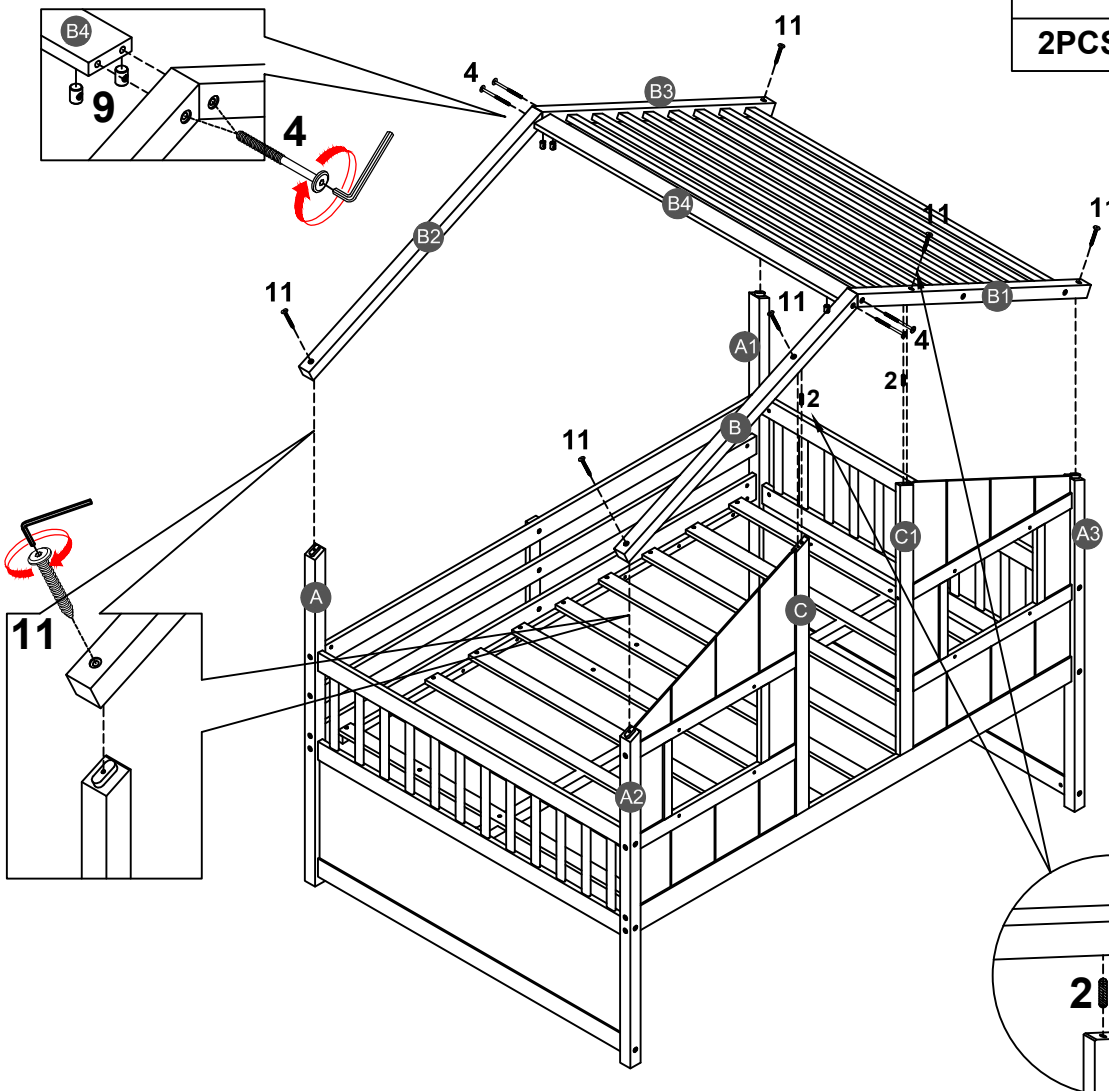
**NOTE:** Please make sure the bed slats close to the side rail before locking the screws to avoid breakage. This step is required for both the left and right sides. Moreover, please do not lock the screws of the bed slats at the outermost edge to avoid damaging.

**STEP 12:**



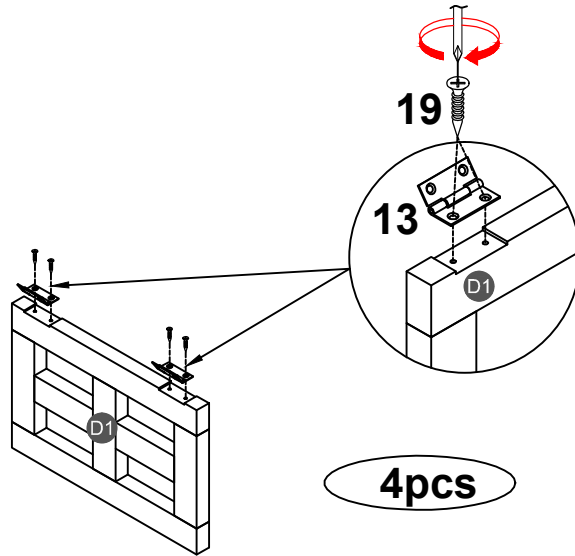
<b>4</b>		<b>9</b>	
	<b>4PCS</b>		<b>4PCS</b>



**STEP 13:**



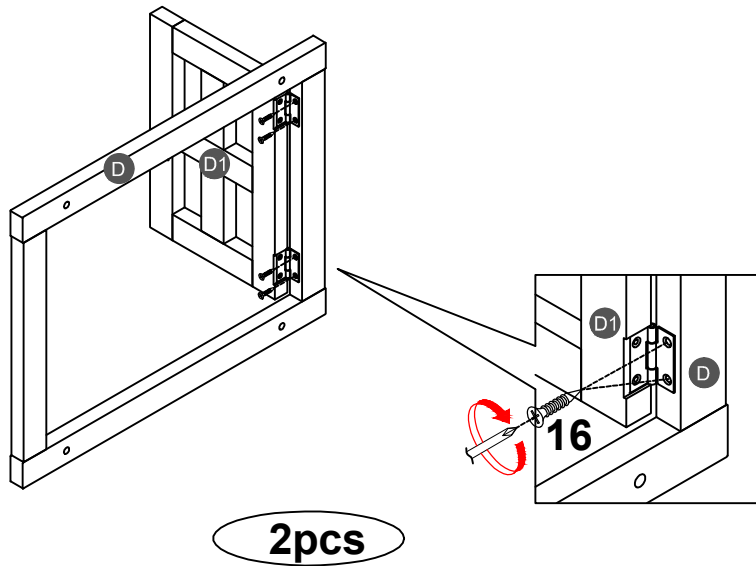
<b>2</b>		<b>4</b>	
	<b>2PCS</b>		<b>4PCS</b>
		<b>9</b>	
			<b>4PCS</b>
		<b>11</b>	
			<b>6PCS</b>


STEP 14:



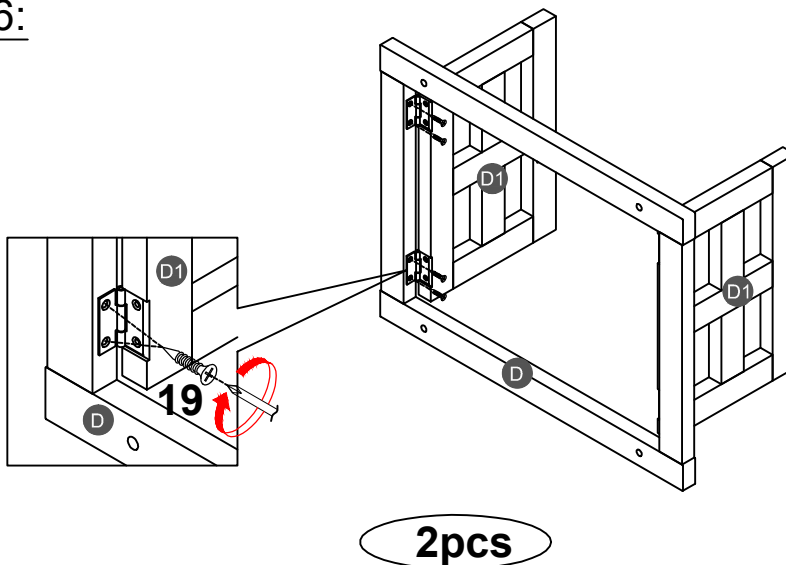
<b>13</b> 	<b>19</b> 
<b>8PCS</b>	<b>16PCS</b>


STEP 15:



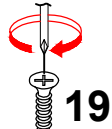
<b>19</b> 
<b>8PCS</b>

STEP 16:

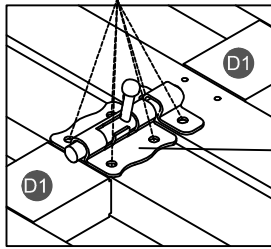


<b>19</b> 
<b>8PCS</b>

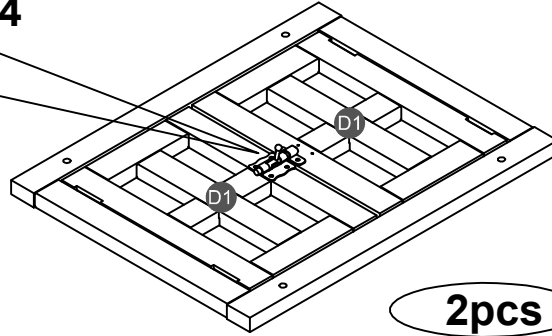
**STEP 17:**



<b>14</b>	<b>19</b>
<b>2PCS</b>	<b>12PCS</b>

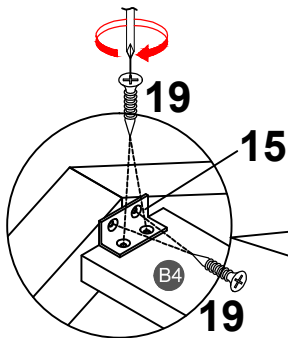


**14**

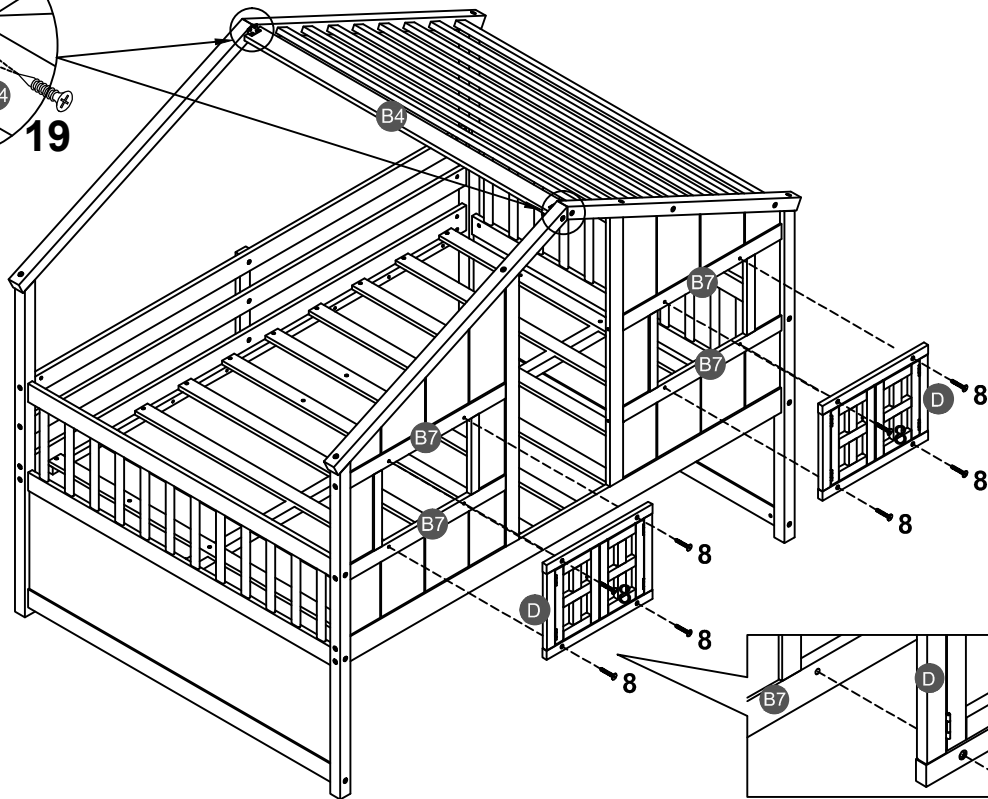


**2pcs**

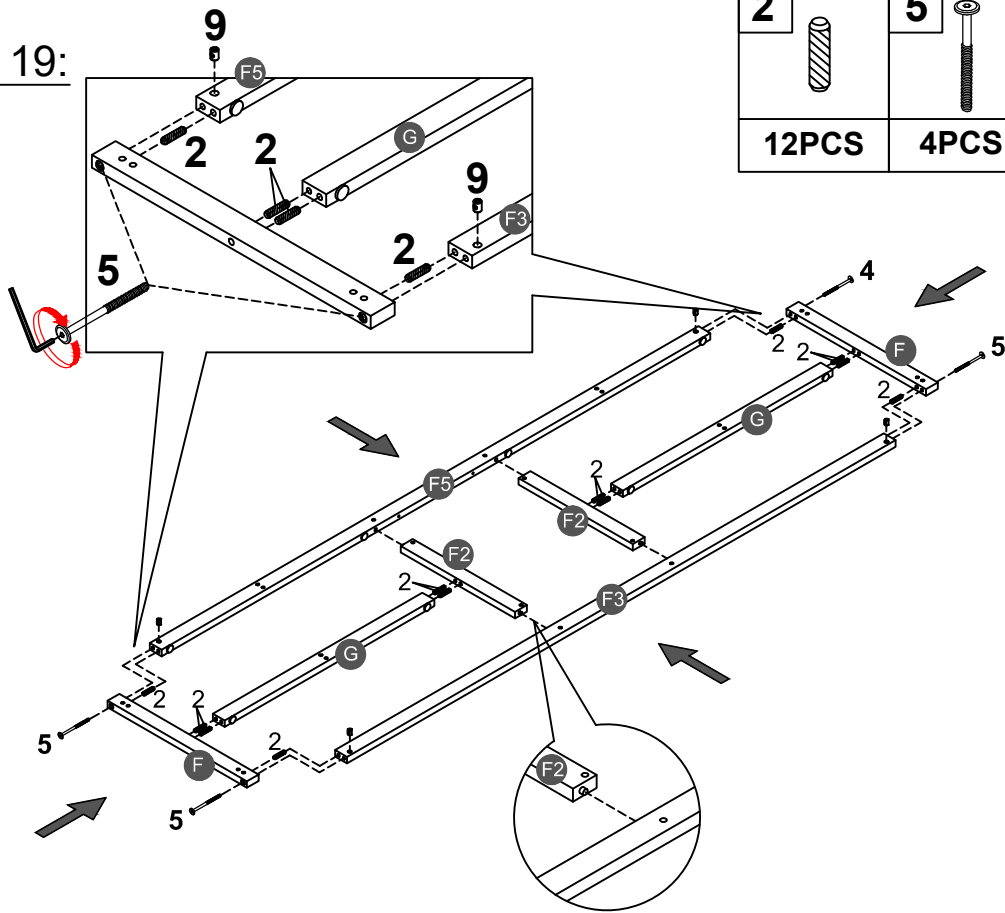
**STEP 18:**



<b>8</b>	<b>15</b>	<b>19</b>
<b>8PCS</b>	<b>2PCS</b>	<b>8PCS</b>

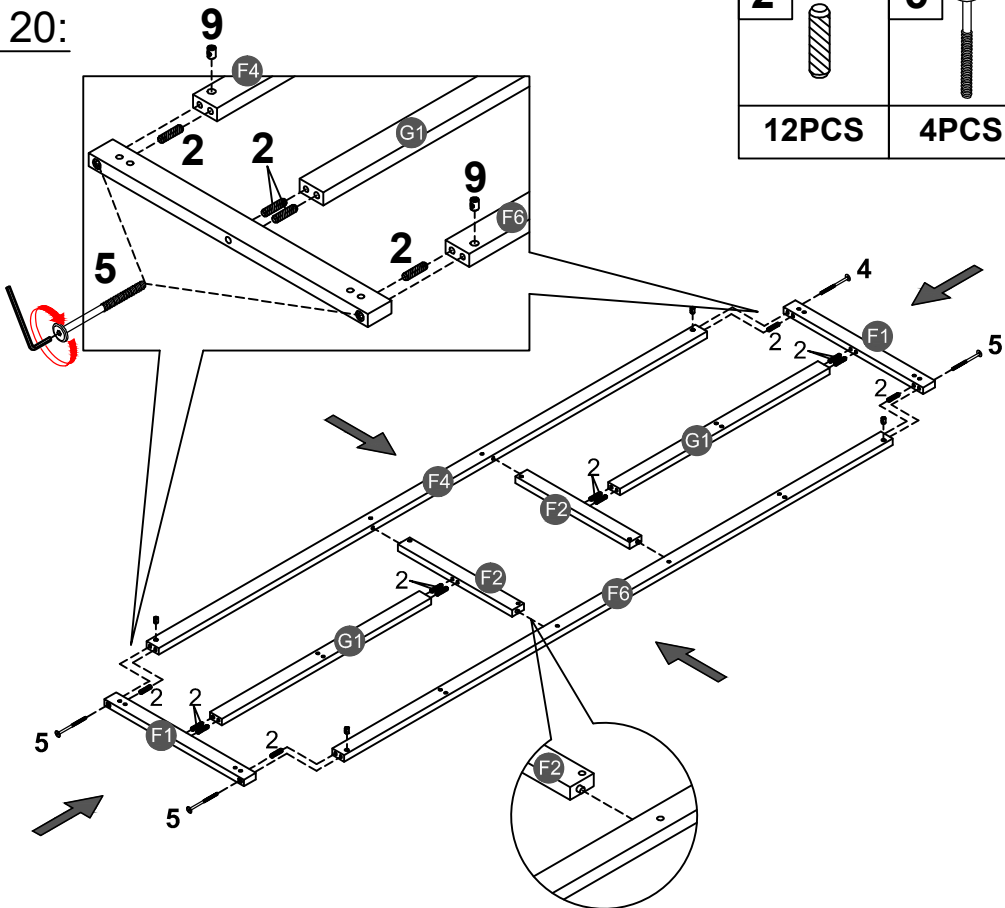


**STEP 19:**






<b>2</b>		<b>5</b>		<b>9</b>	
<b>12PCS</b>		<b>4PCS</b>		<b>4PCS</b>	

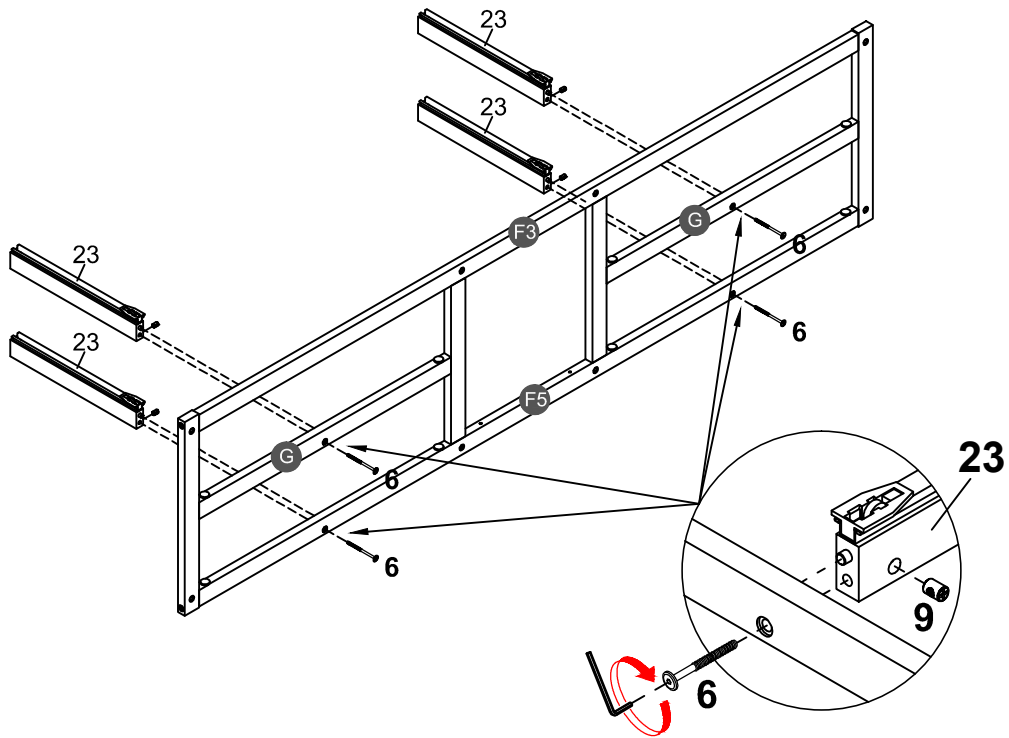
**STEP 20:**





<b>2</b>		<b>5</b>		<b>9</b>	
<b>12PCS</b>		<b>4PCS</b>		<b>4PCS</b>	

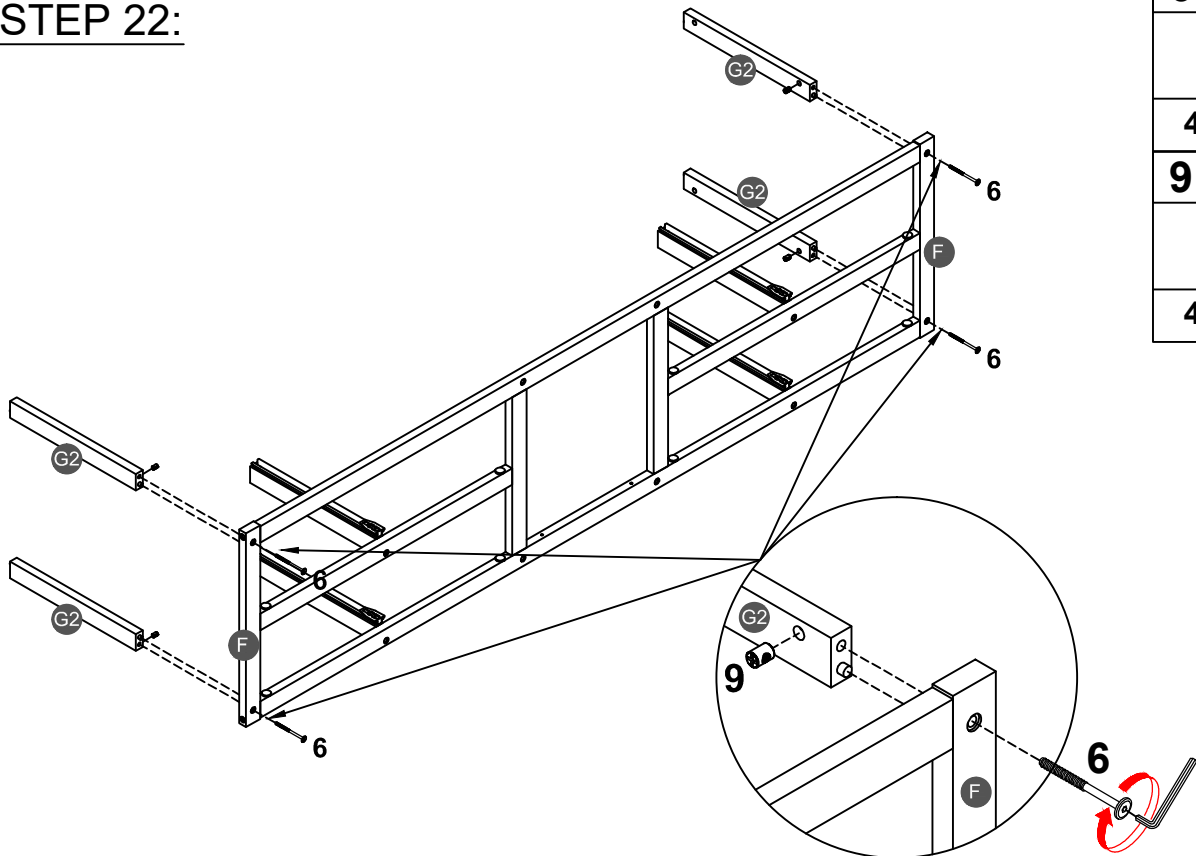
# STEP 21:

<b>6</b>		<b>9</b>		<b>23</b>	
<b>4PCS</b>		<b>4PCS</b>		<b>4PCS</b>	





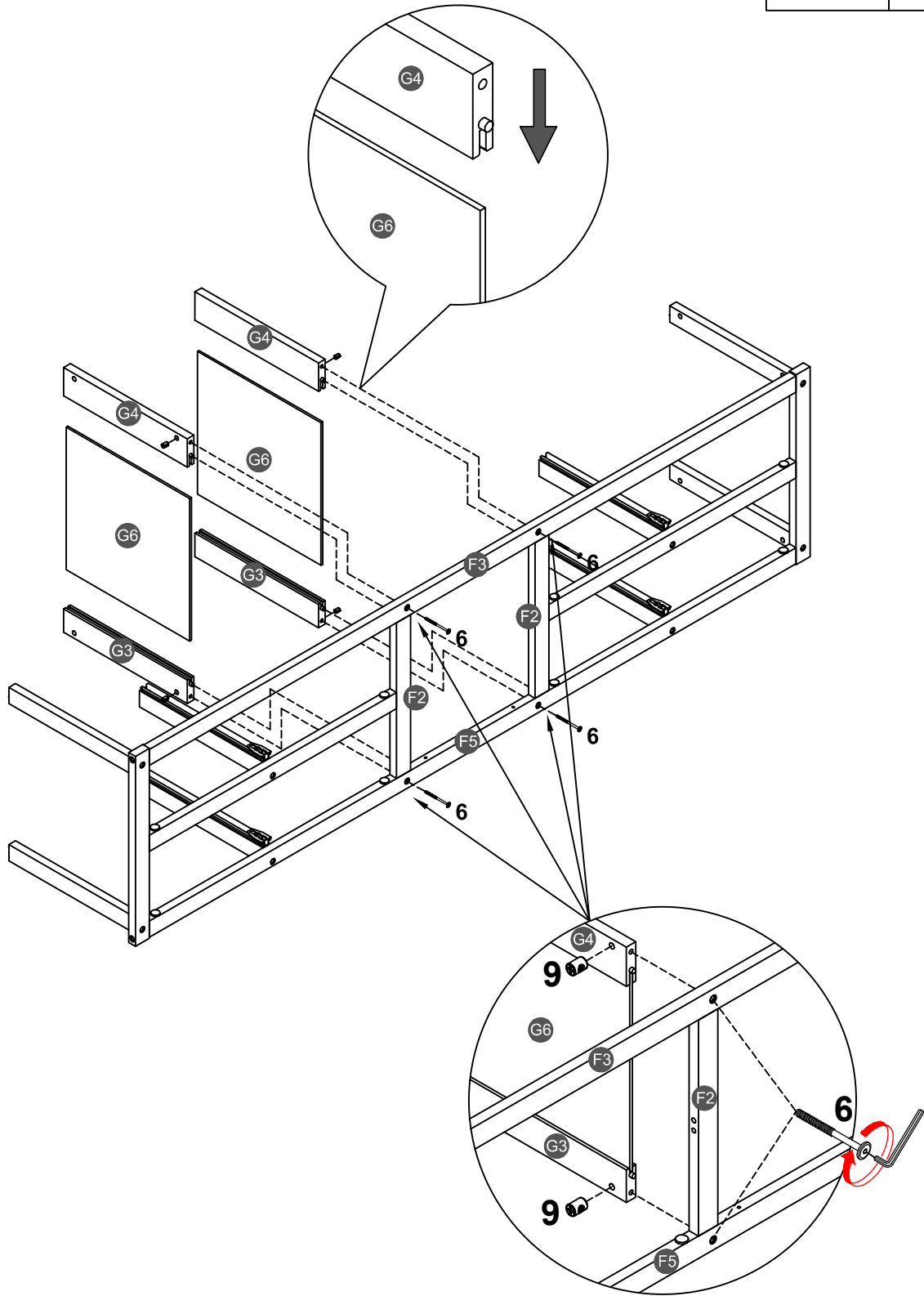
# STEP 22:

<b>6</b>	
<b>4PCS</b>	
<b>9</b>	
<b>4PCS</b>	





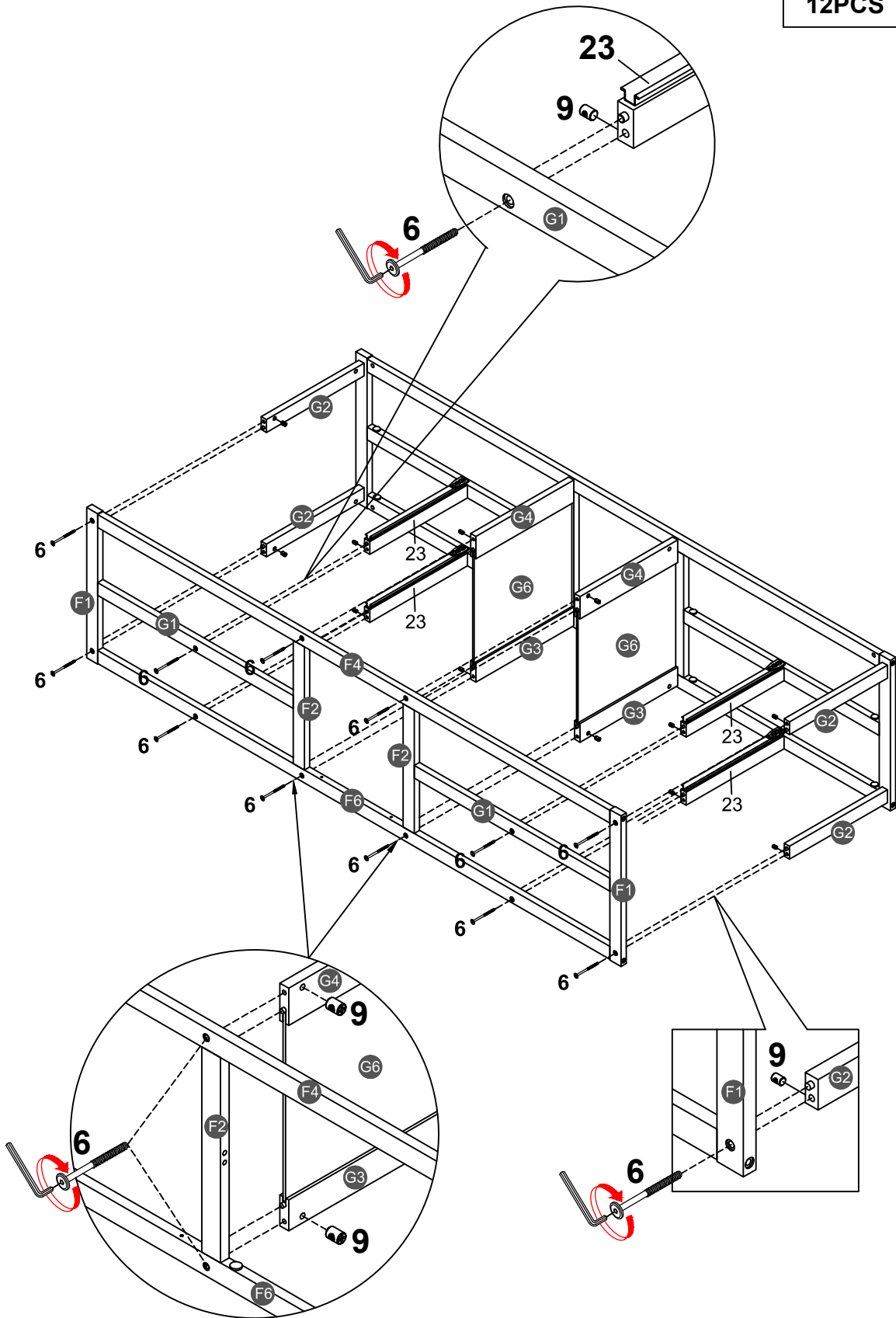
**STEP 23:**

<b>6</b>		<b>9</b>	
<b>4PCS</b>		<b>4PCS</b>	




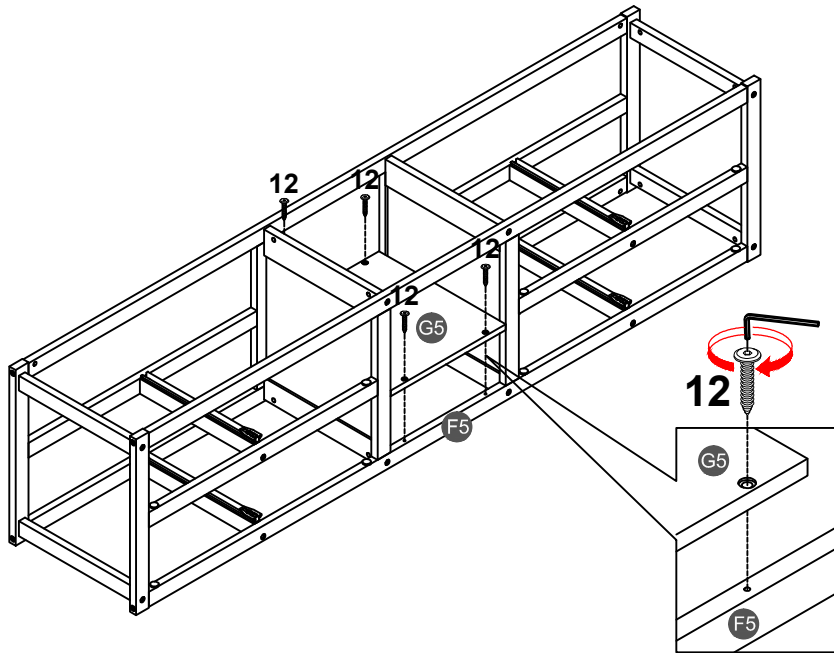
# STEP 24:

<b>6</b> 	<b>9</b> 
<b>12PCS</b>	<b>12PCS</b>




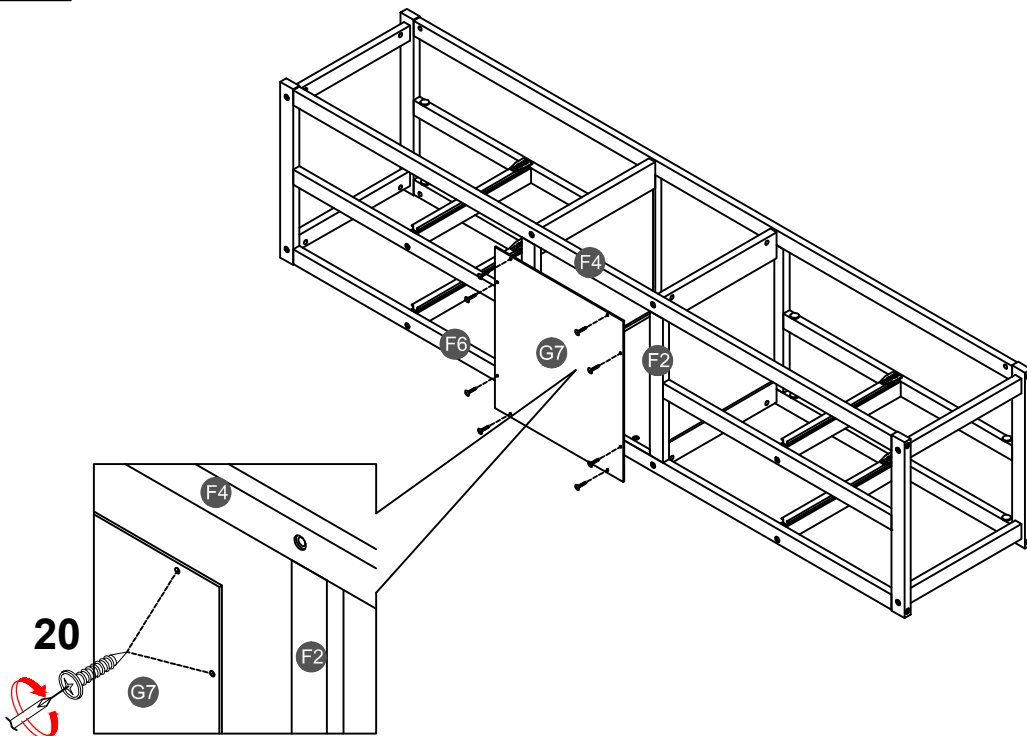
**STEP 25:**

**12**  
  
**4PCS**

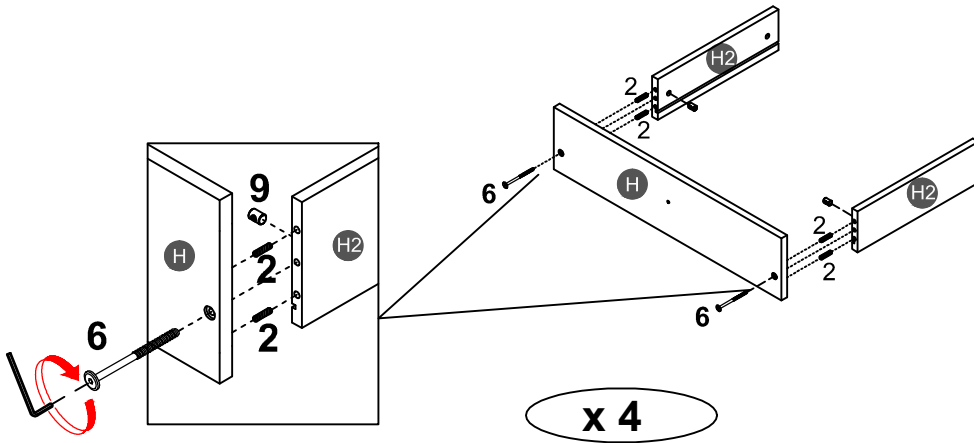


**STEP 26:**




**20**  
  
**8PCS**



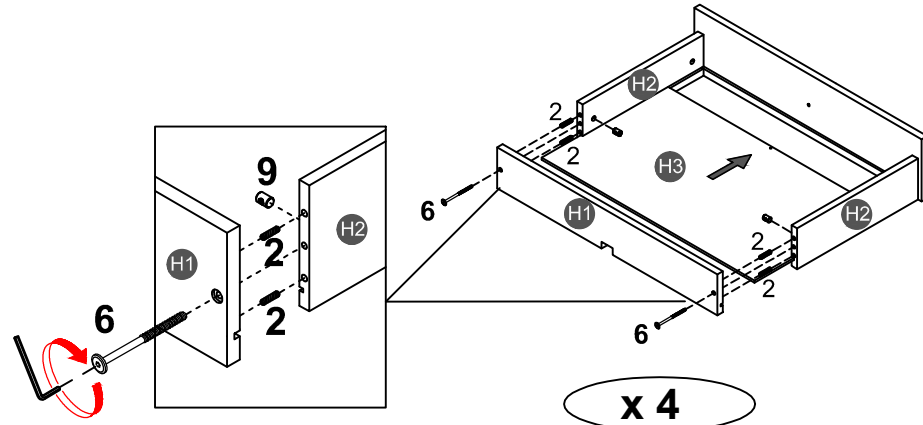
**STEP 27:**






**x 4**

<b>2</b>		<b>6</b>	
<b>16PCS</b>		<b>8PCS</b>	
		<b>9</b>	
		<b>8PCS</b>	

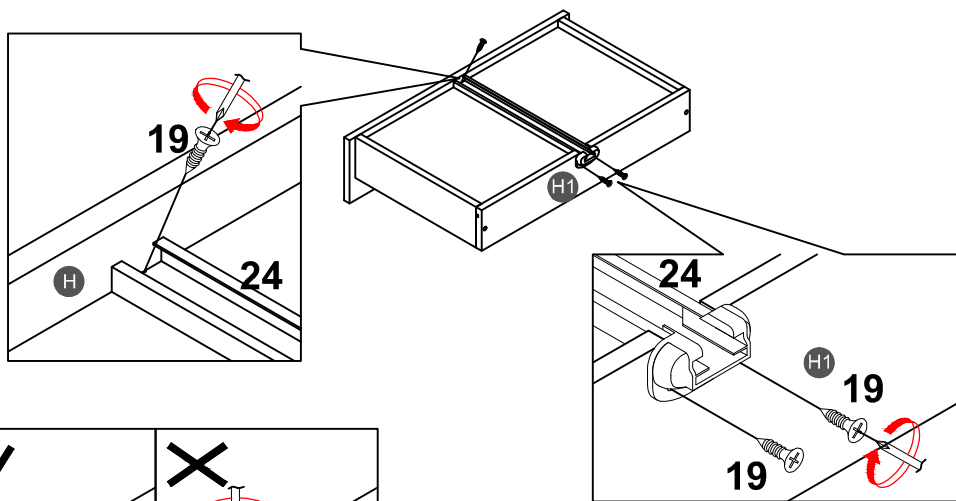
**STEP 28:**





**x 4**

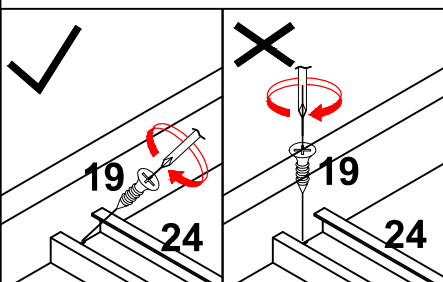
<b>2</b>		<b>6</b>	
<b>16PCS</b>		<b>8PCS</b>	
		<b>9</b>	
		<b>8PCS</b>	

**STEP 29:**





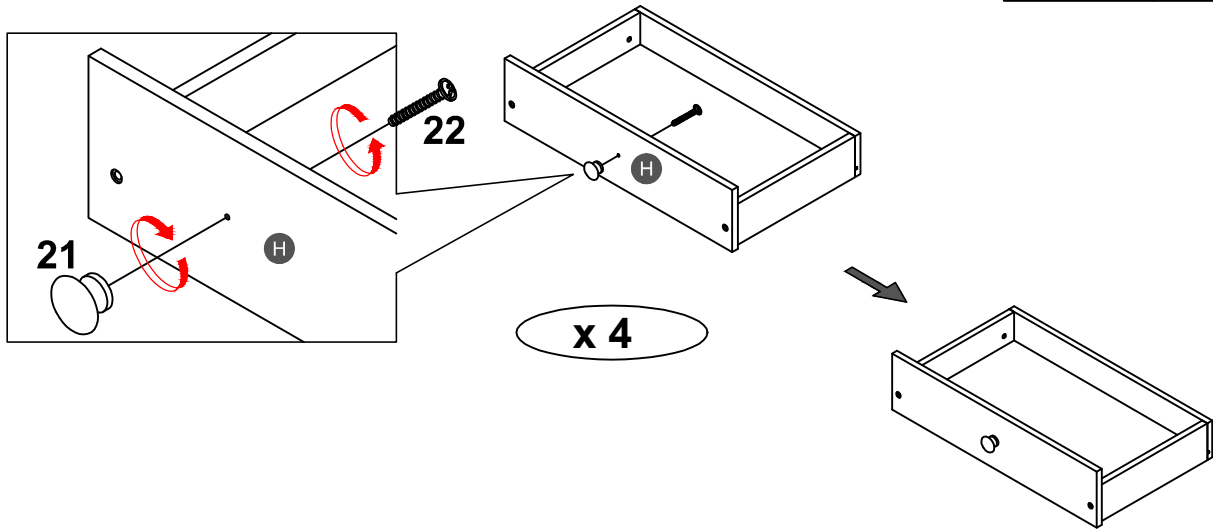
**x 4**

<b>24</b>		<b>19</b>	
<b>4PCS</b>		<b>12PCS</b>	

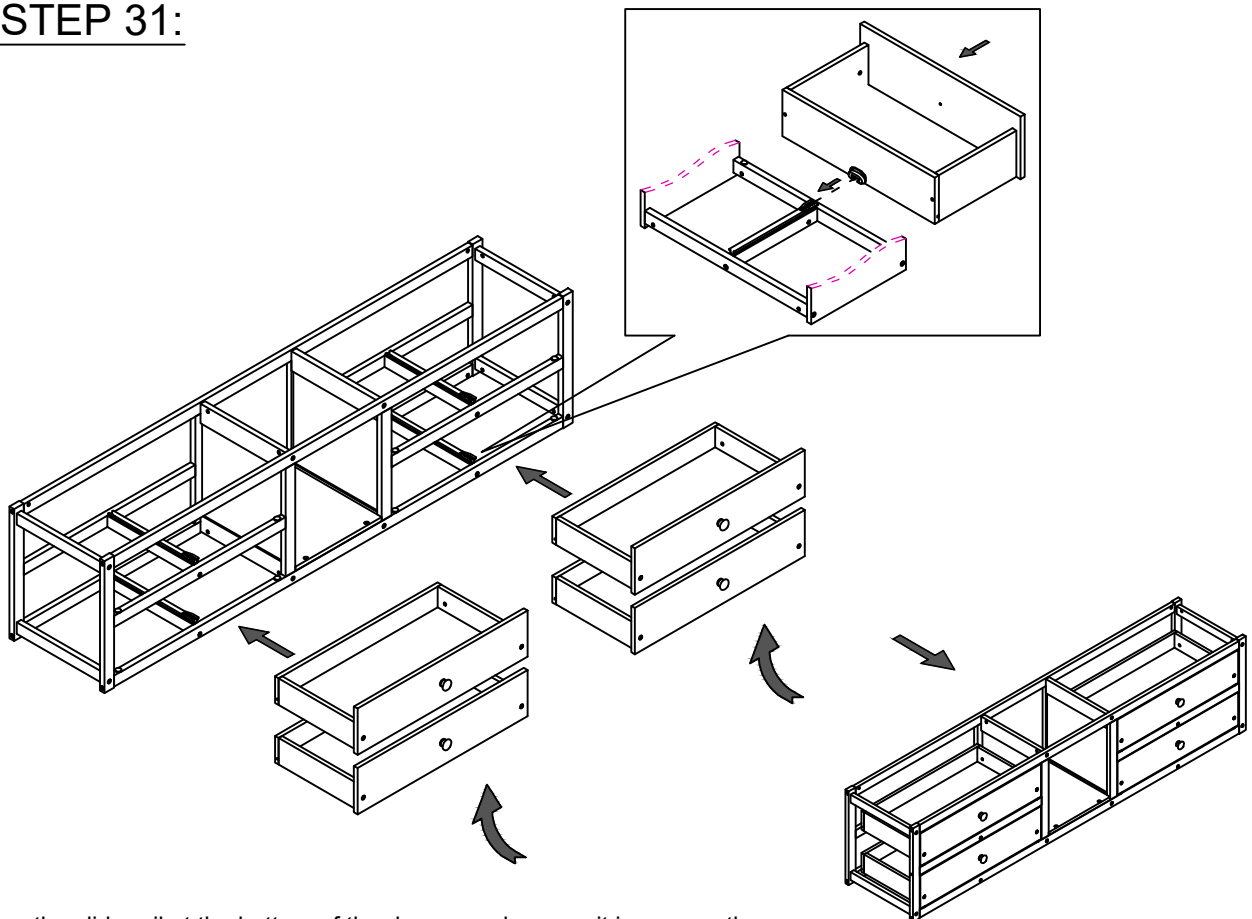


### STEP 30:

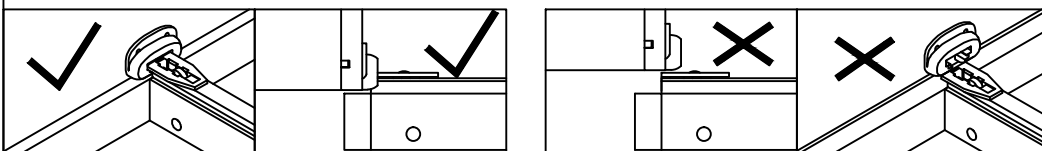
<b>21</b>		<b>22</b>	
<b>4PCS</b>		<b>4PCS</b>	



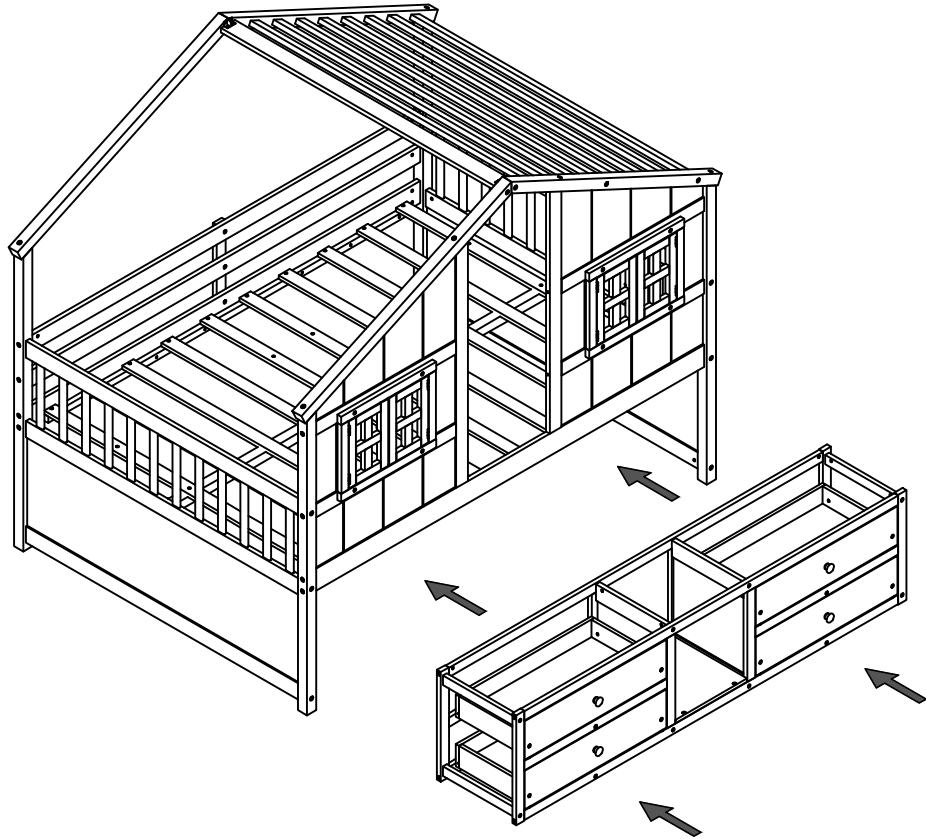
### STEP 31:





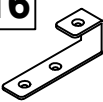

Align the slide rail at the bottom of the drawer and ensure it is secure, then push the drawer in firmly to make the slide rails smoothly on the track.

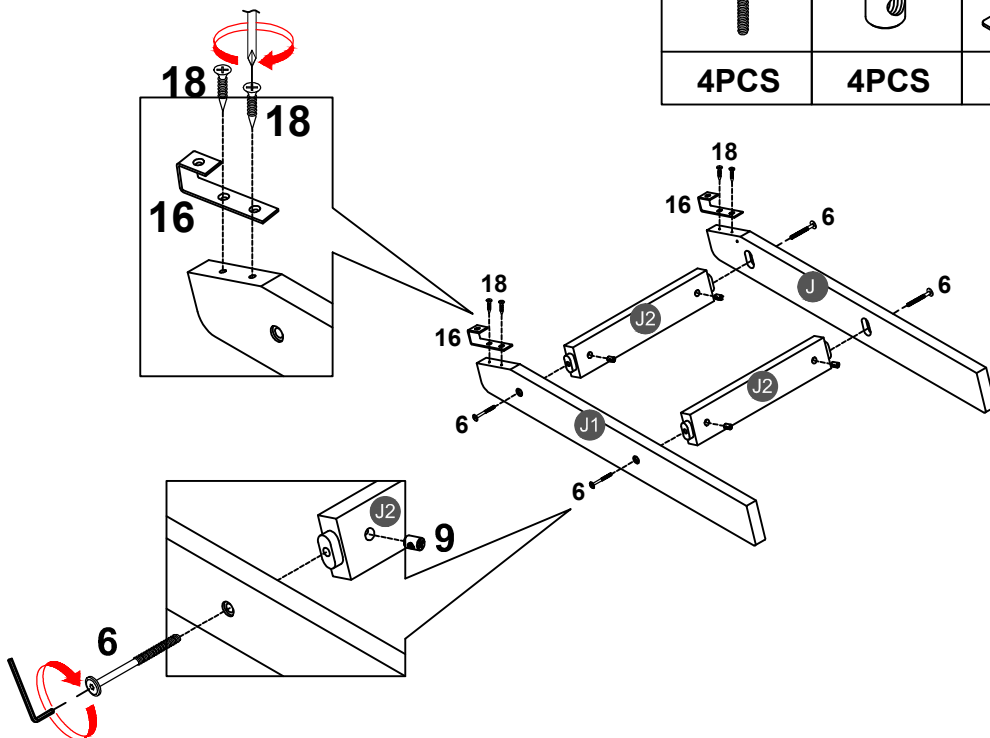


**STEP 32:**





**STEP 33:**

<b>6</b>		<b>9</b>		<b>16</b>		<b>18</b>	
<b>4PCS</b>		<b>4PCS</b>		<b>2PCS</b>		<b>4PCS</b>	



**STEP 34:**

<b>17</b> 	<b>18</b> 
<b>2PCS</b>	<b>6PCS</b>

