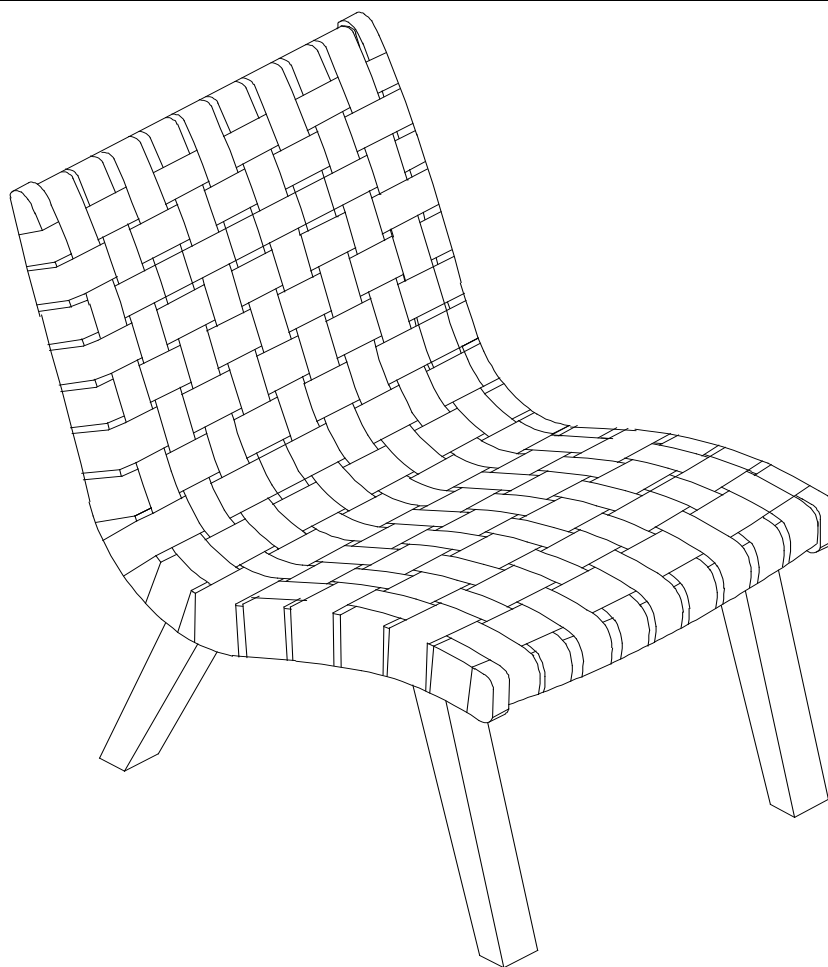


# Assembly Instructions

**Caution: You should read this carefully before you proceed**

**Please look in the **Seat Panel** for hardware packs.**

## Chair

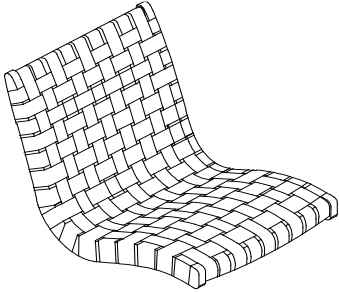
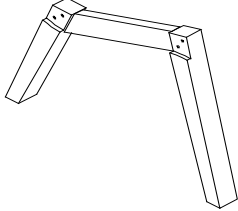
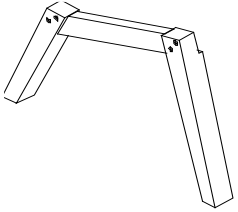


**CAUTION: This Chair is NOT a TOY.**



Keep your child / children at bay during the assembly process.

Whenever lifting or moving the Chair and to prevent any damage to the it, two adults may be needed to execute these actions.

## Part List

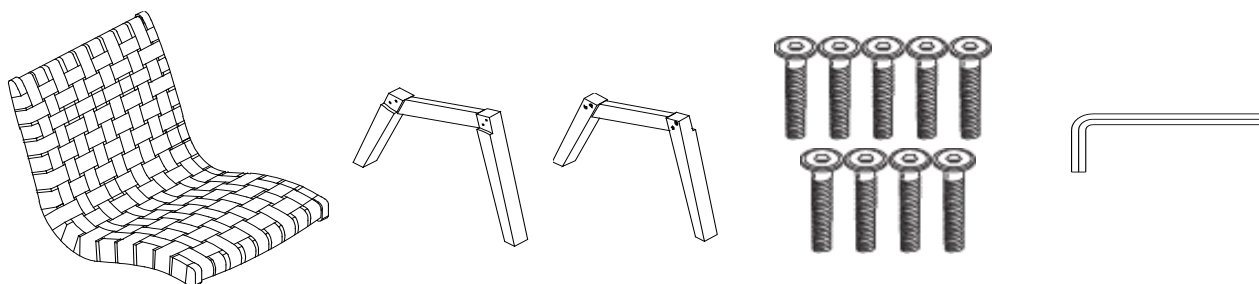
Label	Picture	Description	QTY
A		Seat Panel	1
B		Left Leg Panel	1
C		Right Leg Panel	1

## Hardware

Label	Picture	Description	QTY
①		Bolt (M6x45mm)	9
②		Allen Key	1

# Assembly Preparation

## Before Beginning Assembly:



- Read instructions, cover to cover-



- Have 2 adults on hand for assembly-



- Do not assemble on flooring or carpet-



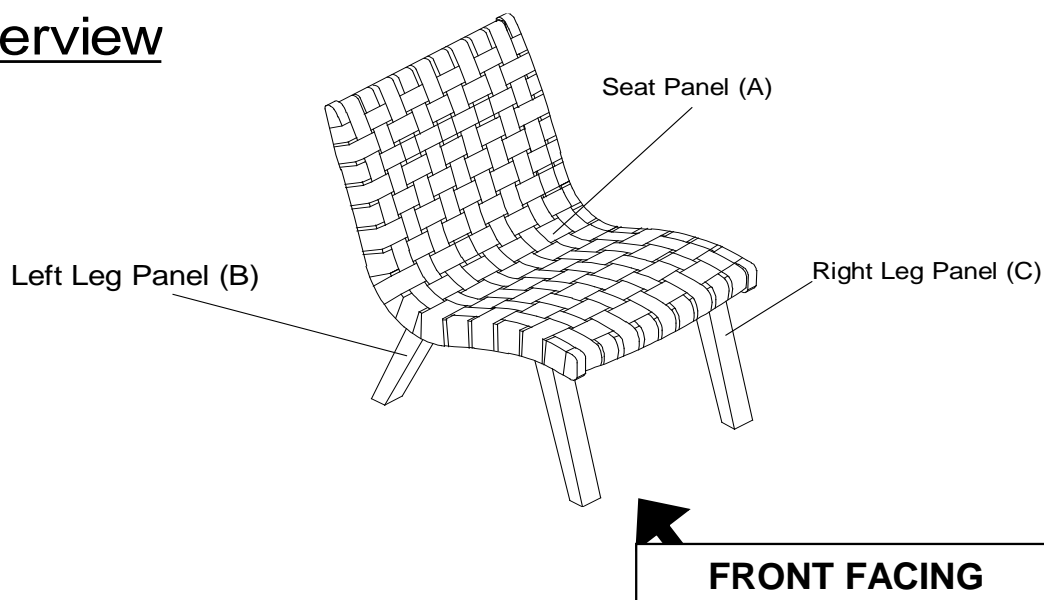
- Assemble on a clean non-marring surface (packing foam)-



- Save all packaging until finished-

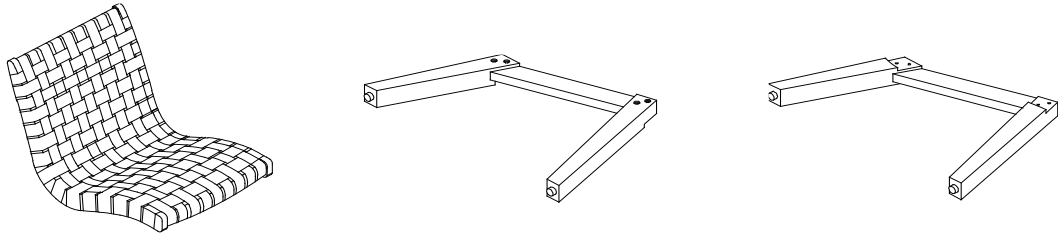
# Assembly Steps

## Overview



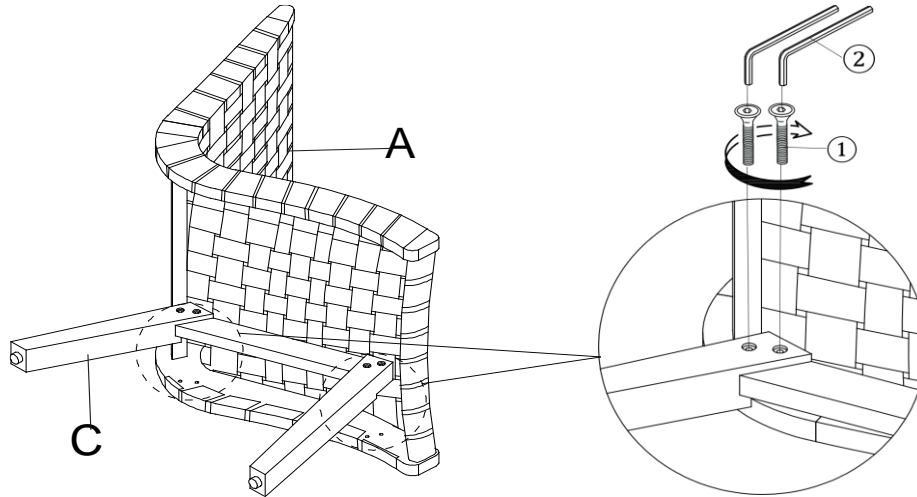
This Chair has multiple parts and may require up to 15 minutes to assemble. To give you an overview of the Chair parts, the above picture is provided to help you put the various parts into perspective. Please read through the instructions below to familiarize yourself with the parts and steps before assembly.

## Step 1



Unpack and place all parts on a clean, non-marring surface.

## Step 2

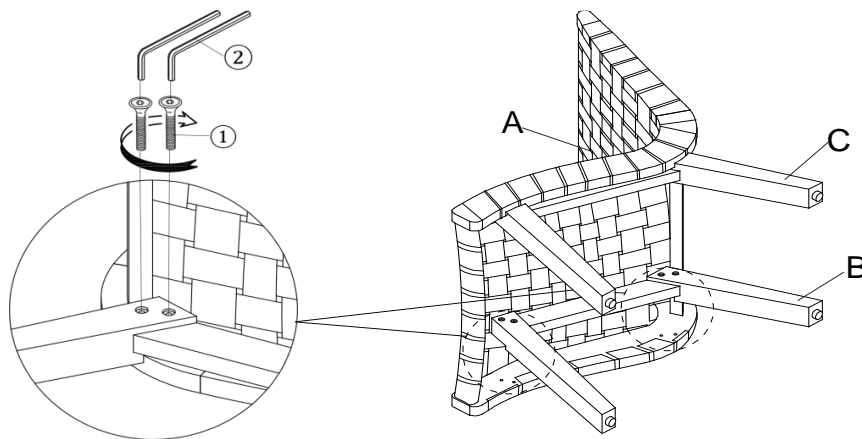


Place the Seat Panel (A) onto a clean, soft surface to avoid any scratches or damages to the product as shown in the picture above

With assistance from your adult partner, attach the Right Leg Panel (C) to the Seat Panel (A) using the Bolts (1) with the Allen Key (2) as shown above.

**Do not fully tighten the Bolts at this time.**

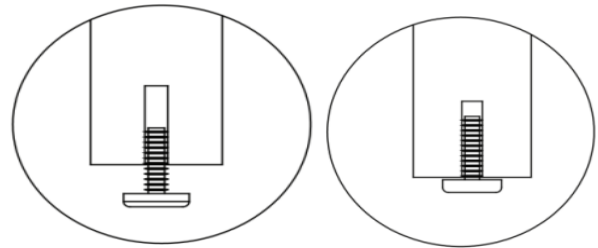
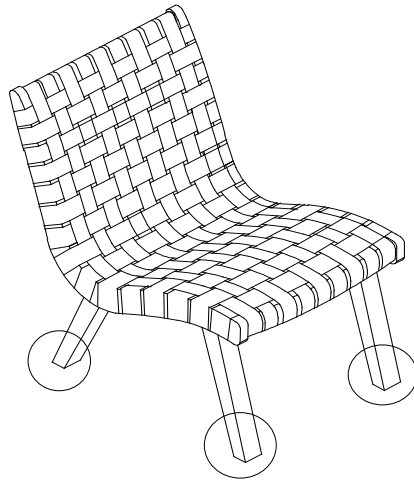
## Step 3



Turn the chair to the other side, then attach the Left Leg Panel (B) to the assembled part in step 2 by using the Bolts (1) with the Allen Key (2) as shown above.

**Do not fully tighten the Bolts at this time.**

## Step 4



Adjust high for balance      Adjust low for balance

Adjust Pre-installed Levelers height for balance

Turn the chair right side up.

Inspect the chair and make sure all parts are adequately connected.

In a sequential manner, tighten all Bolts at all joints.

With assistance from your adult partner, adjust the Levelers to the desired height to avoid wobbles.

**CAUTION : When tightening these bolts, tighten sequentially.**





















**DO NOT tighten any bolt fully and then move towards the next one. This could cause the frame to warp.**

**WARNING!! IF THE CHAIR IS NOT STABLE , IT COULD LEAD TO DAMAGING THE PRODUCT.**

**Your Chair is ready to be used.**

**This Chair can only be used on a flat, level surface.**

## Care & Maintenance

-   ● Do not put hot items directly on furniture surface
-   ● Do not clean furniture with harsh cleansers or polish.
-   ● To obtain the longest lifespan of your outdoor products, minimizing exposure to direct sunlight is recommended.
-   ● Children should not climb or jump on the furniture.
-   ● Do not write on furniture without a padded barrier to protect the surface.
-   ● To obtain the longest lifespan of your outdoor products, avoid extended and lengthy exposure to rain, snow, and direct sunshine. Whenever possible cover the product and /or place under patio or awnings.
-   ● Not for commercial use. For residential use only .
-   ● Stains may be removed with mild soap solution and damp cloth.
-   ● Keep away from sources of ignition.
-   ● Dust and pick-up spills using a clean, non-colored, lint-free cloth.