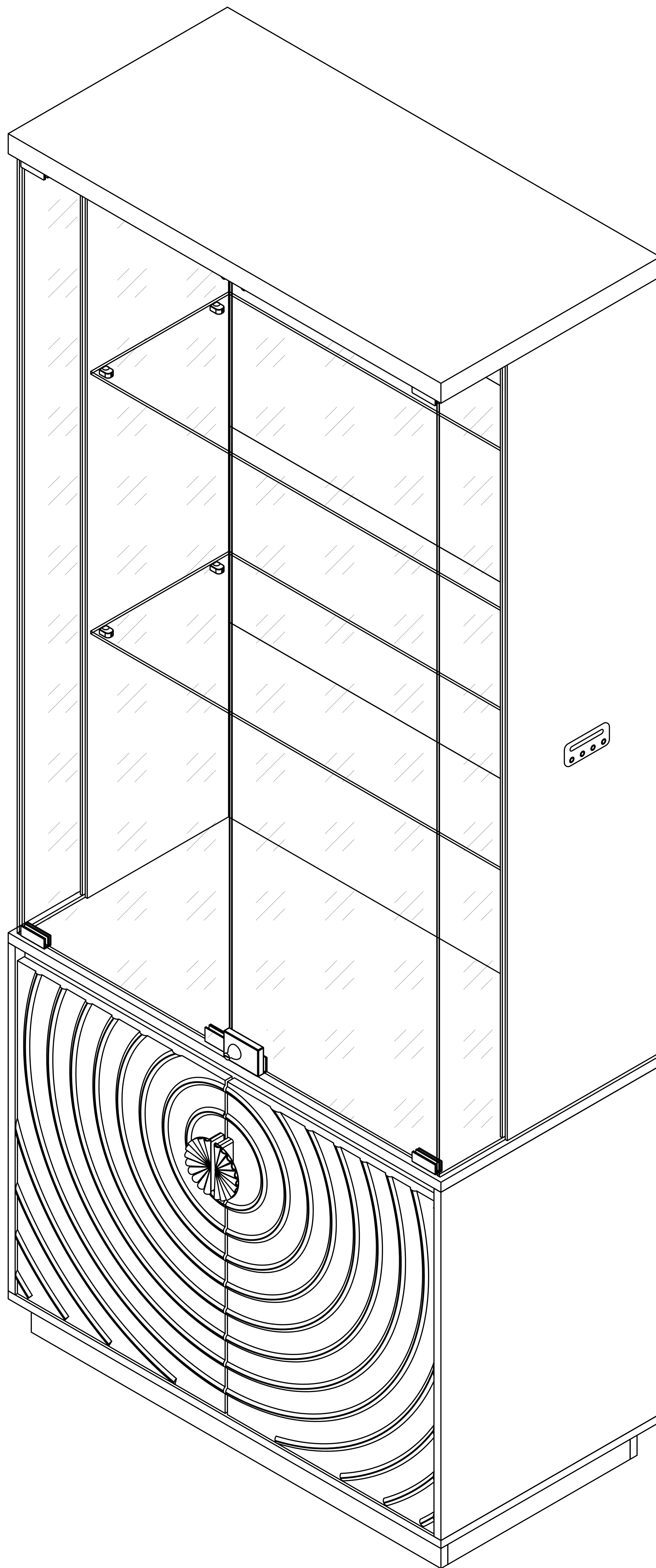
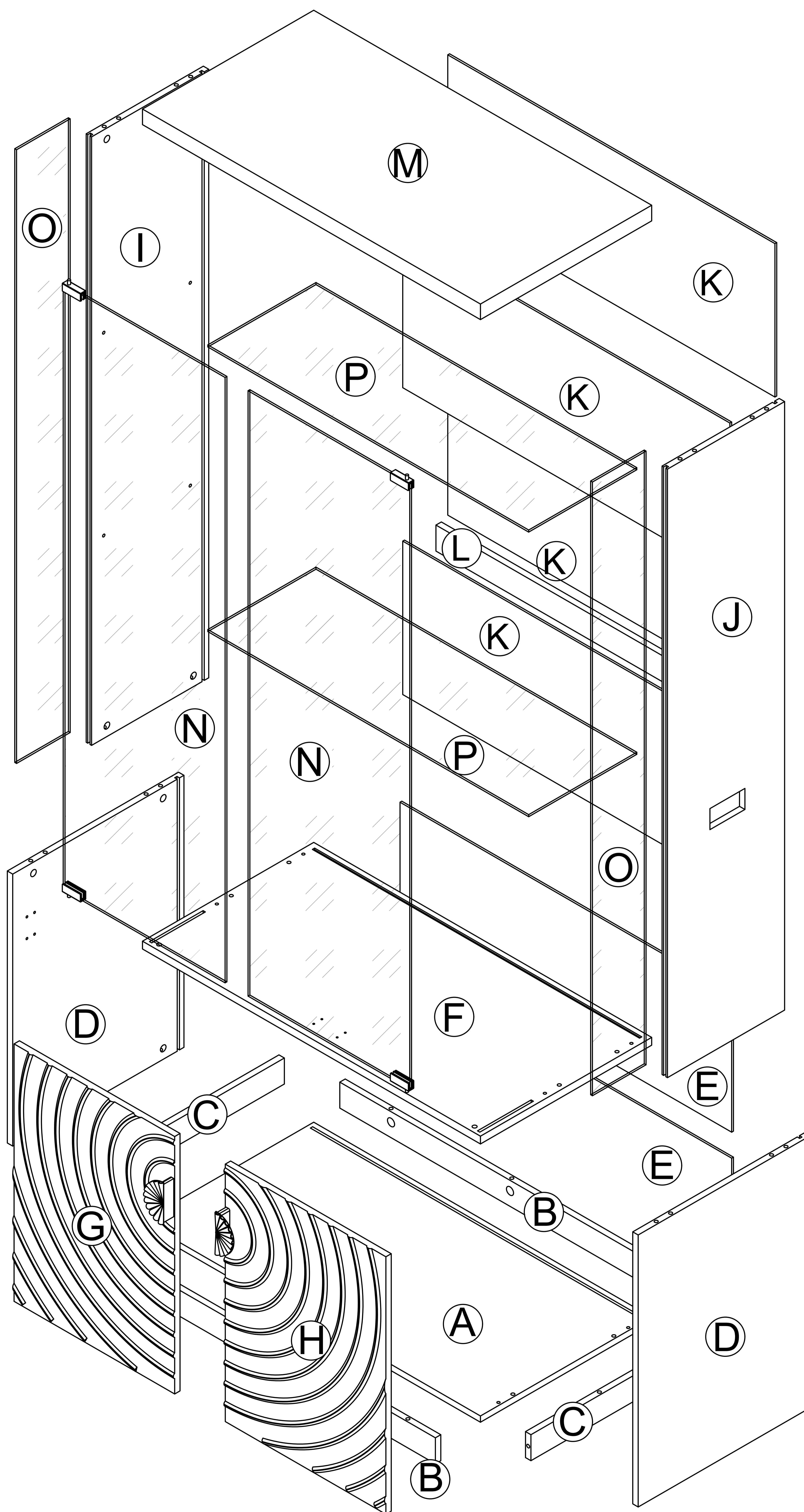
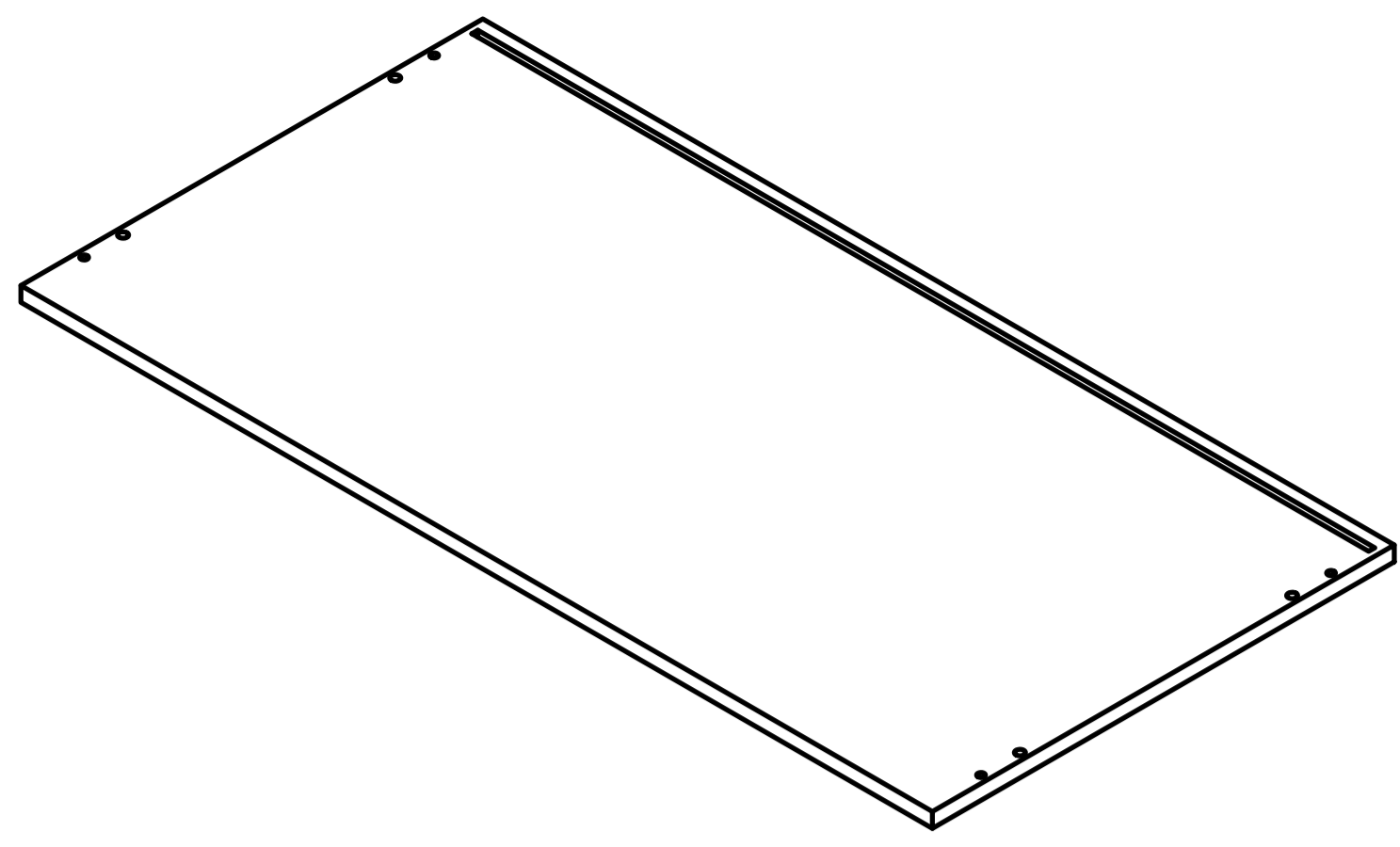


Product Installation Instructions

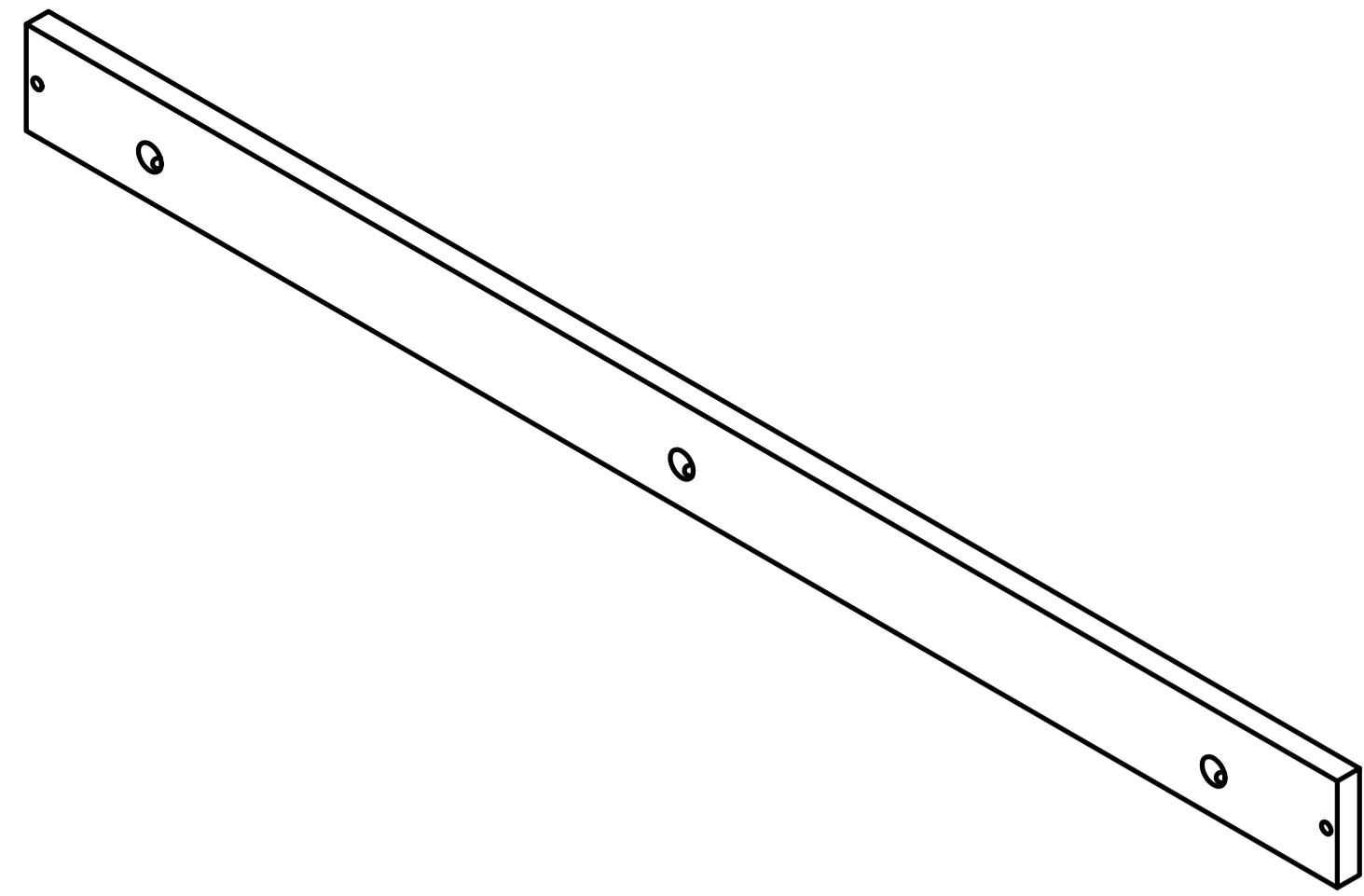


Product structure decomposition

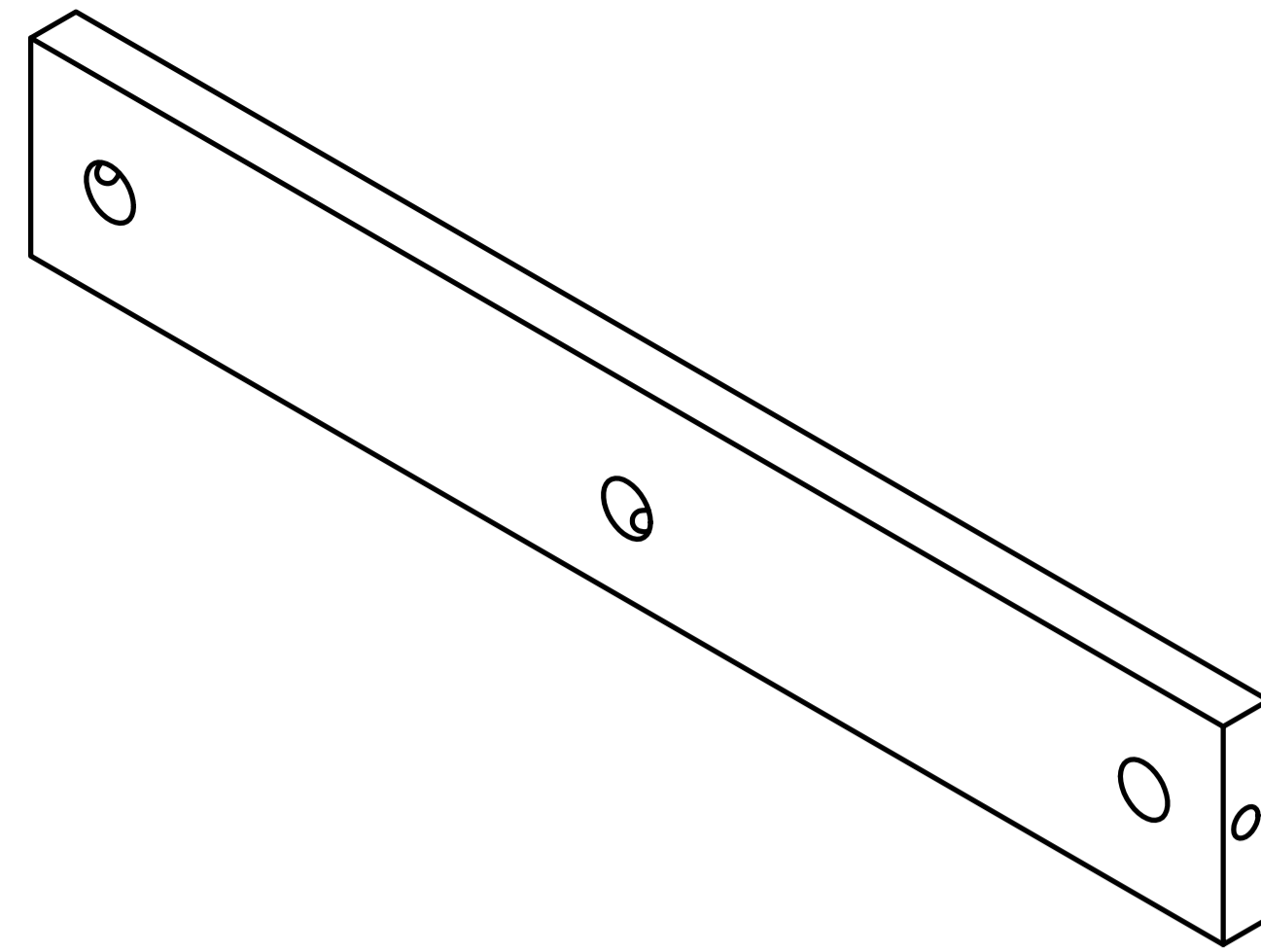




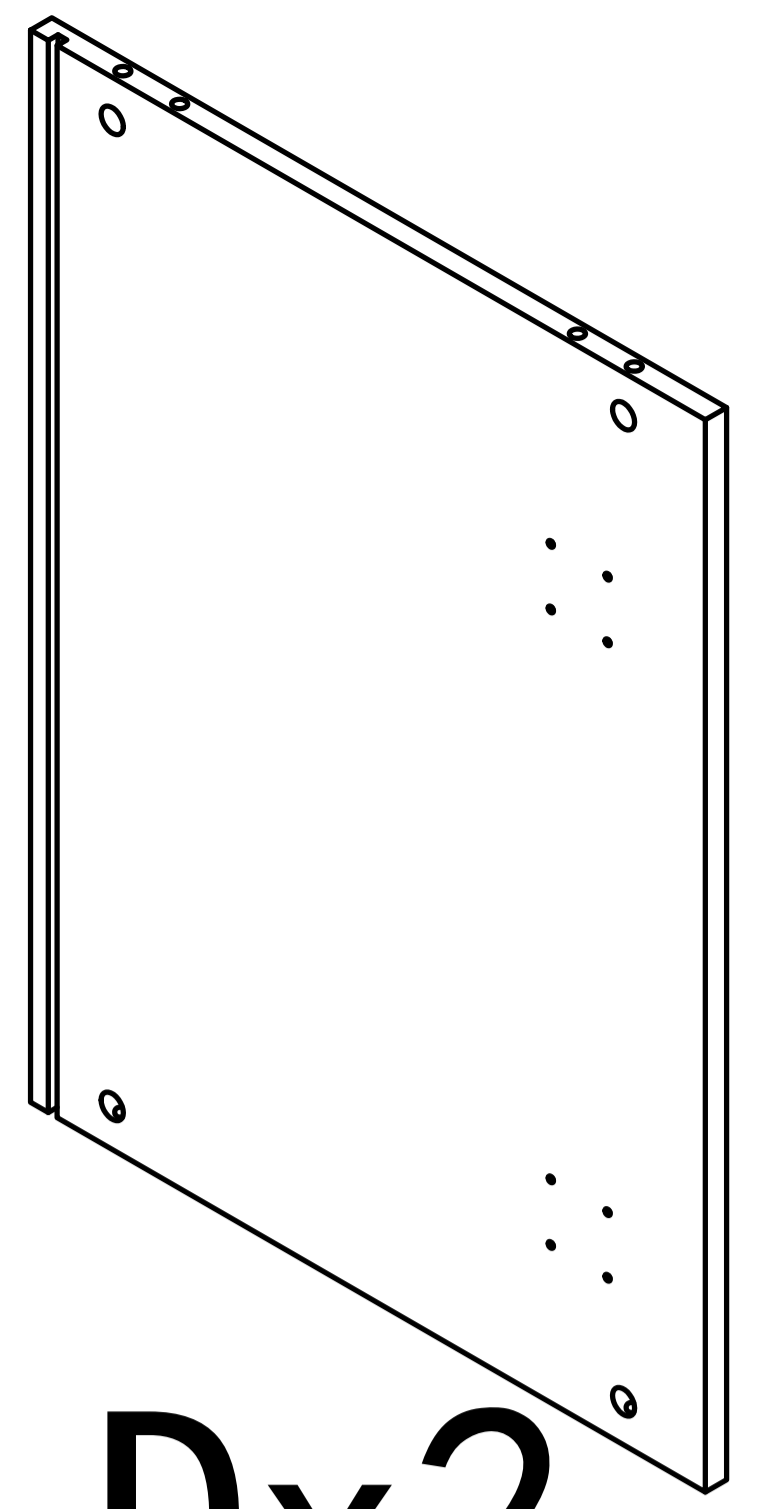
Ax1



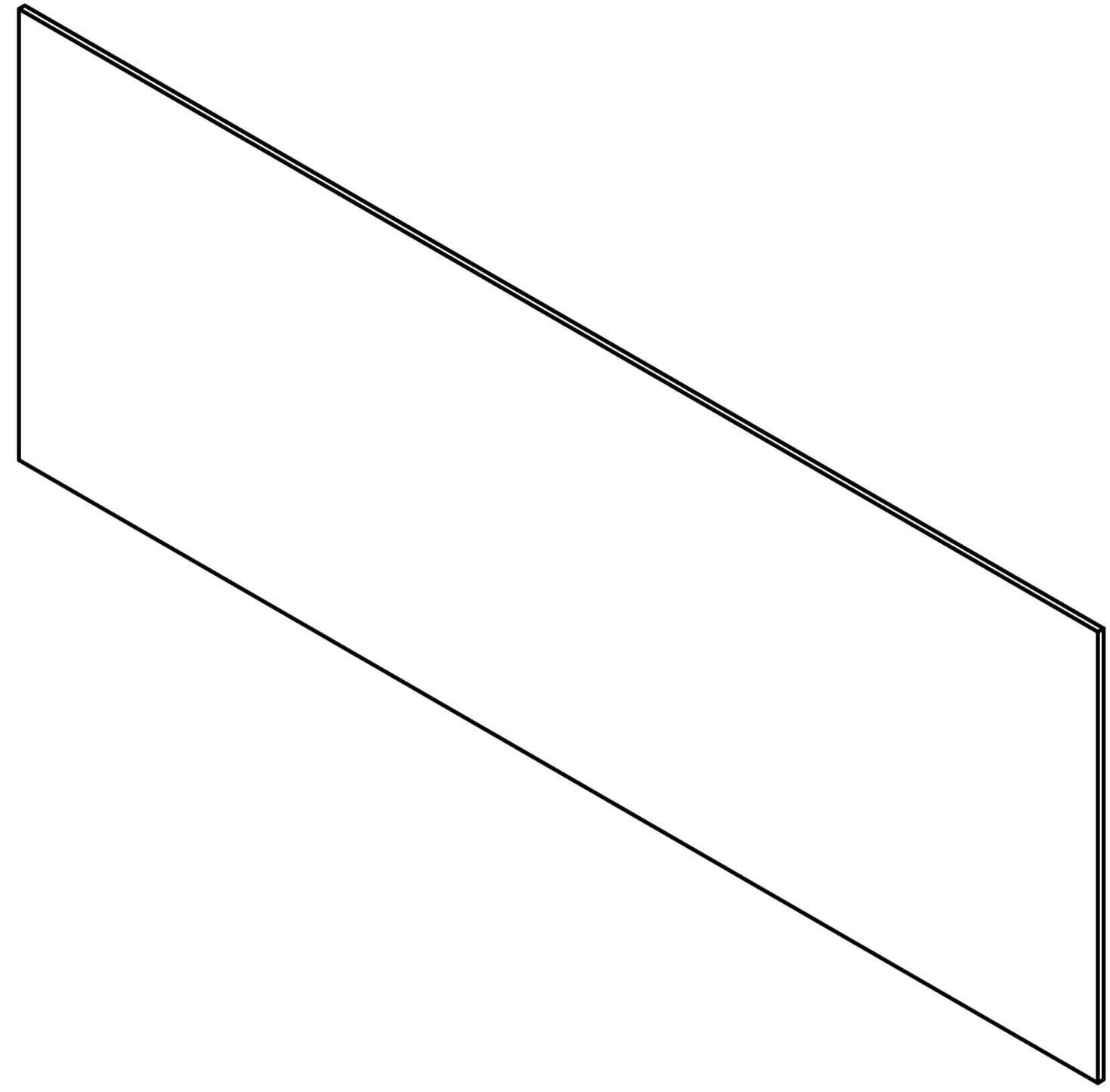
Bx2



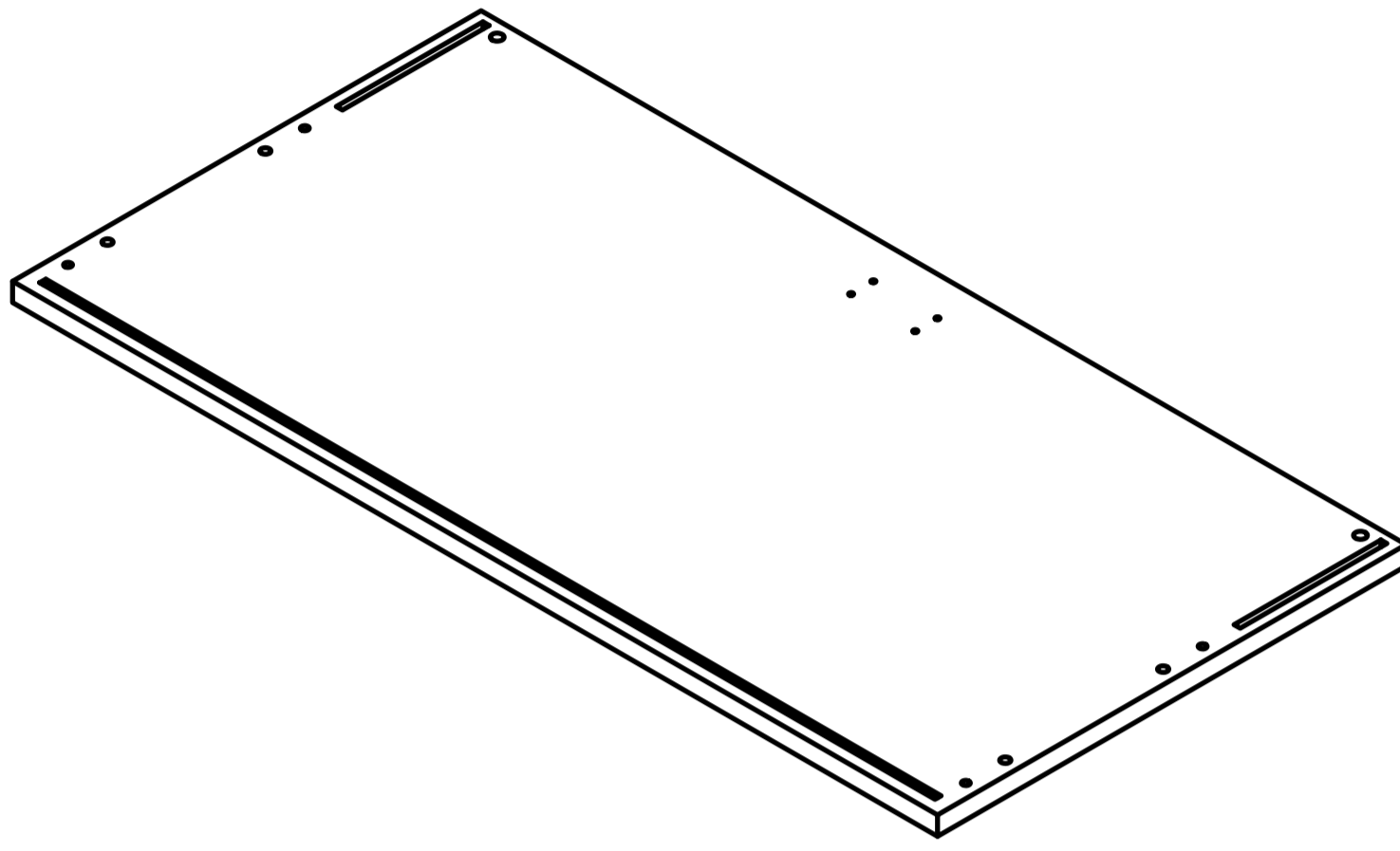
Cx2



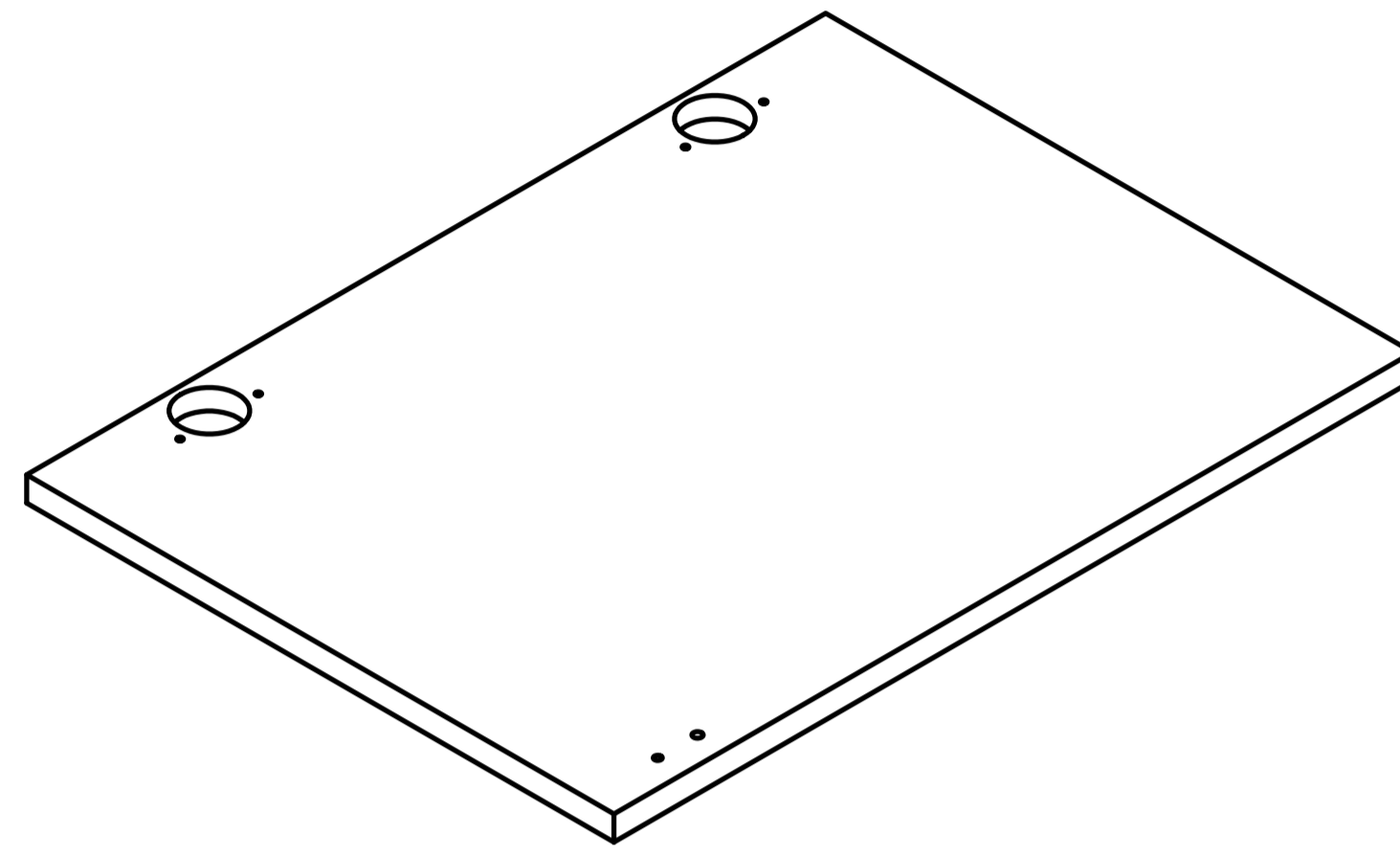
Dx2



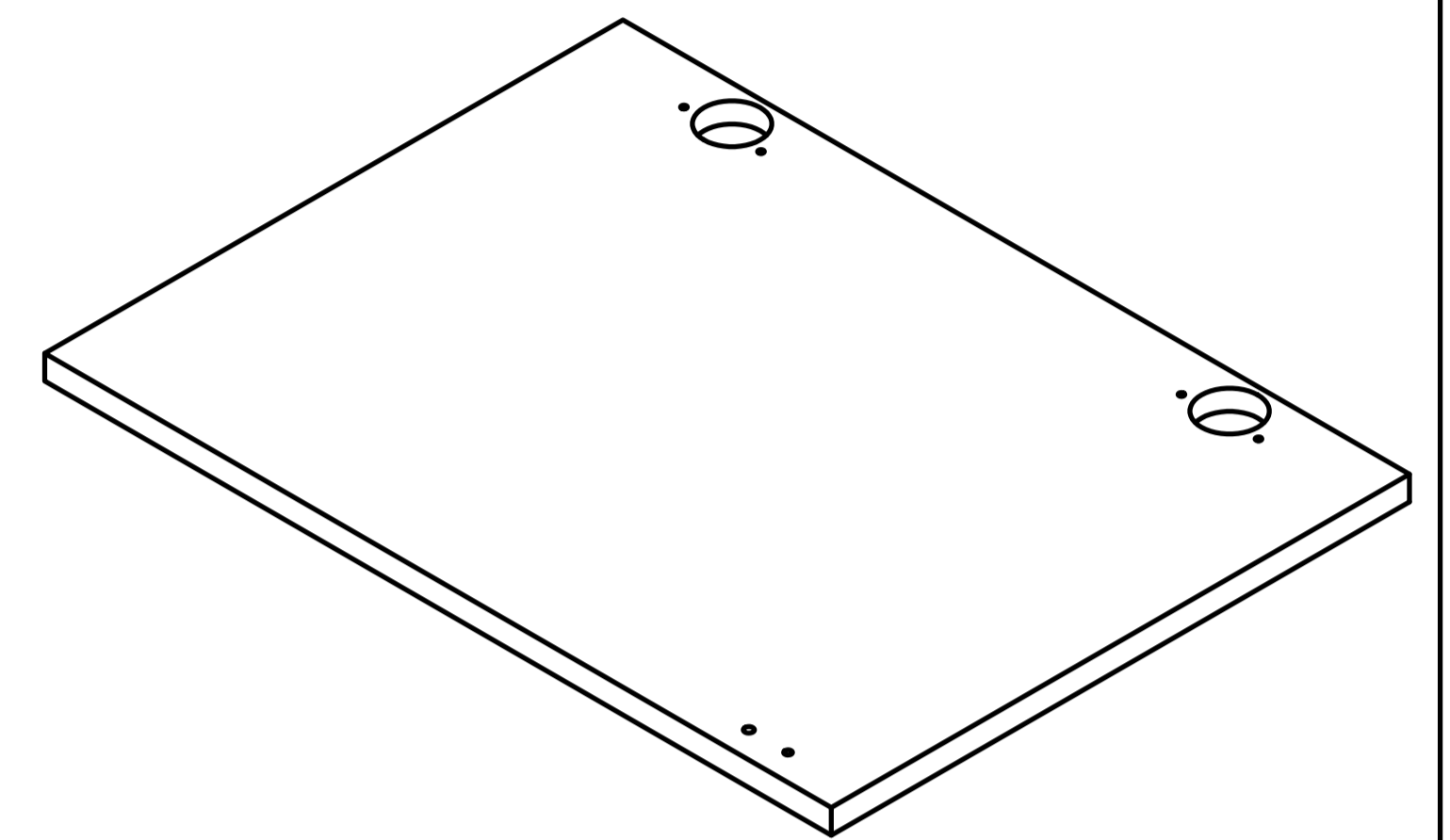
Ex2



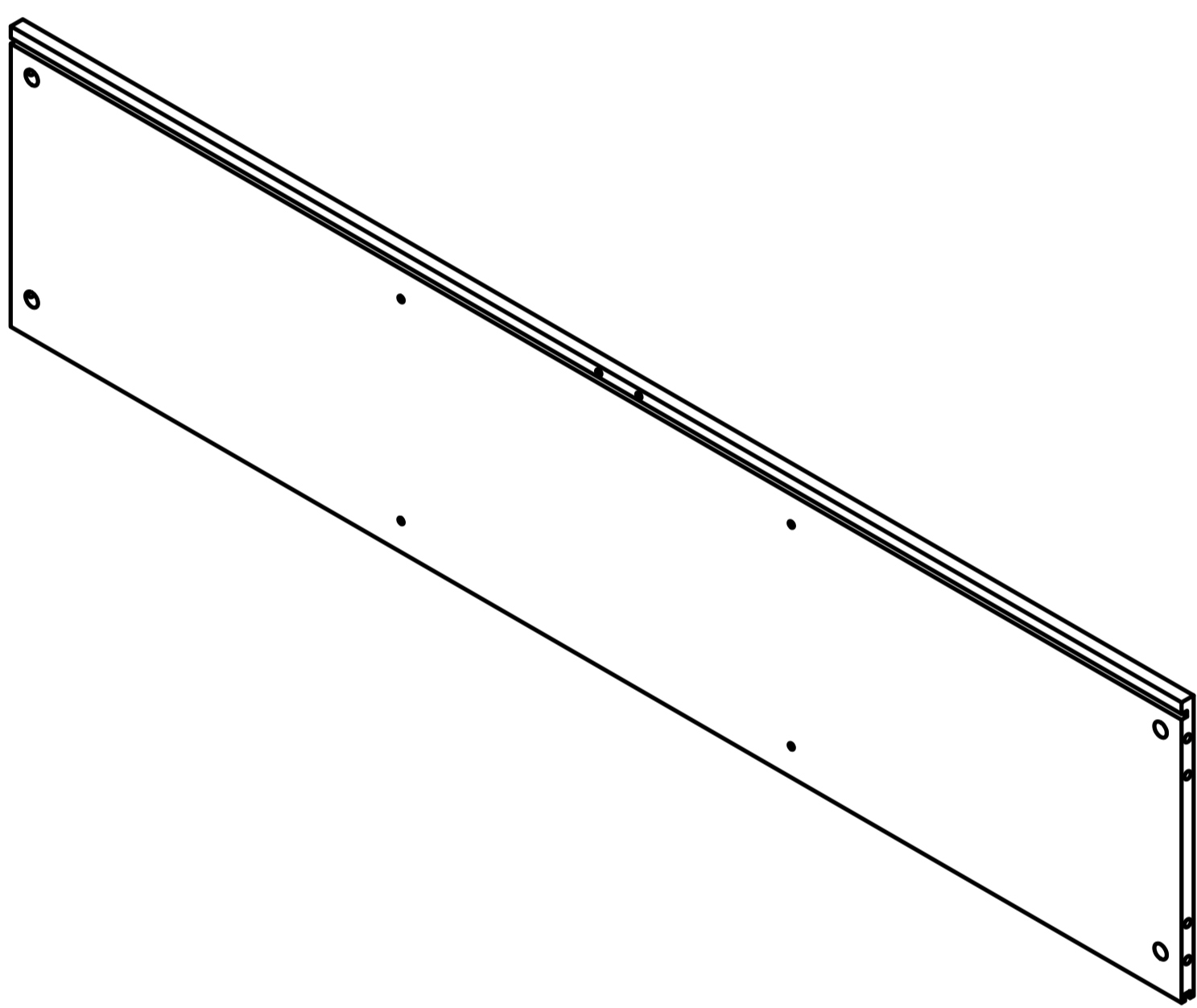
Fx1



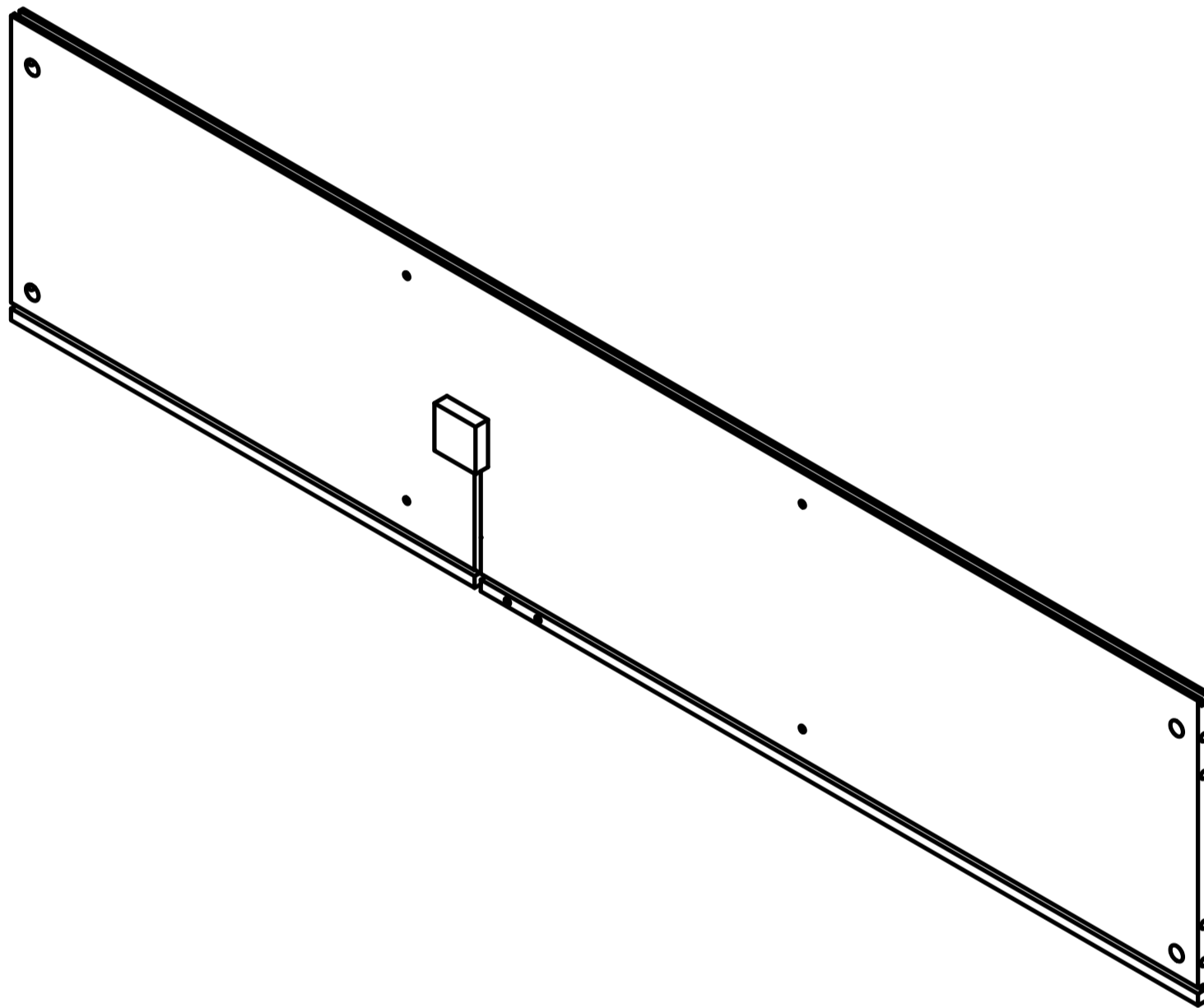
Gx1



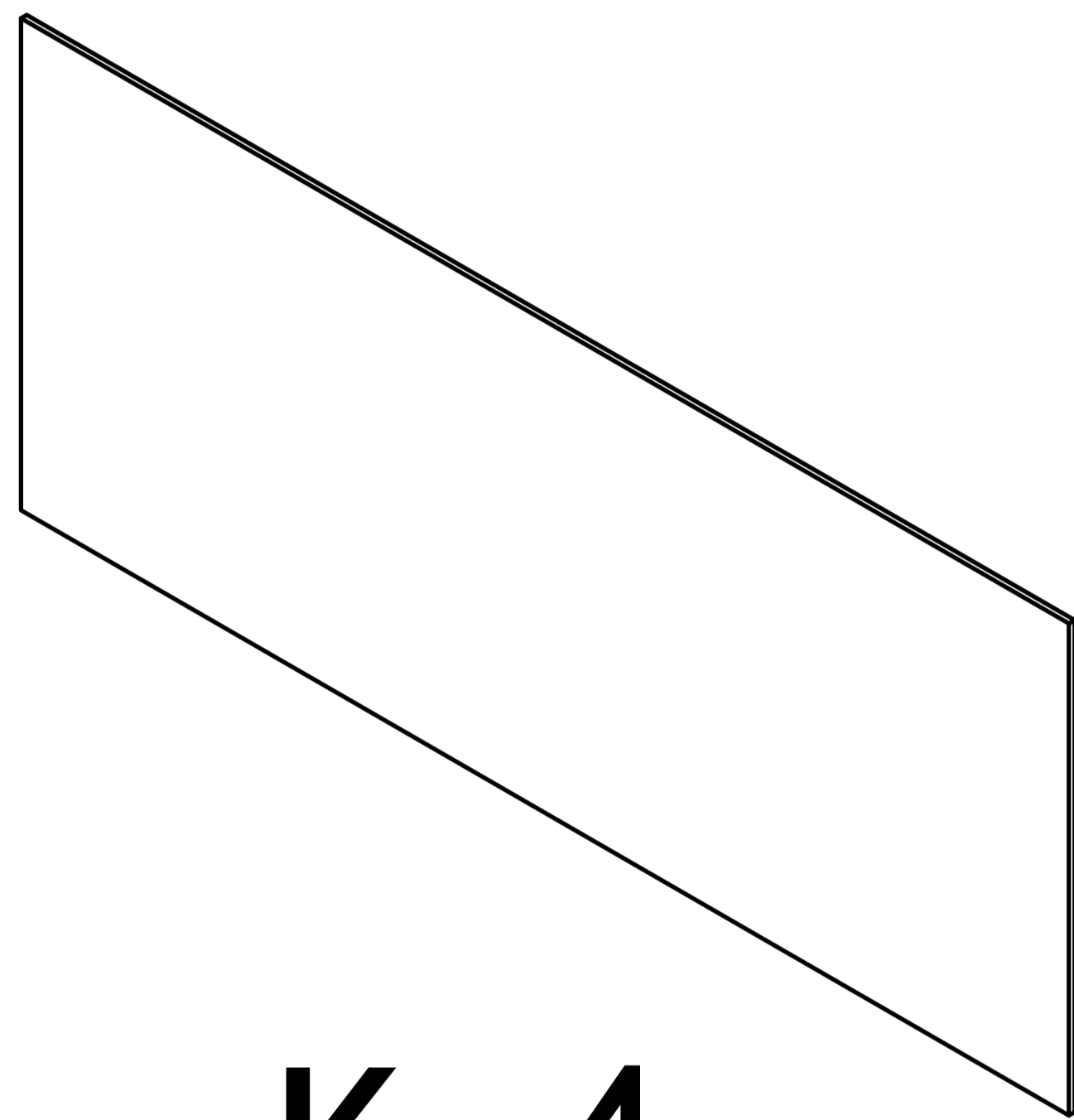
Hx1



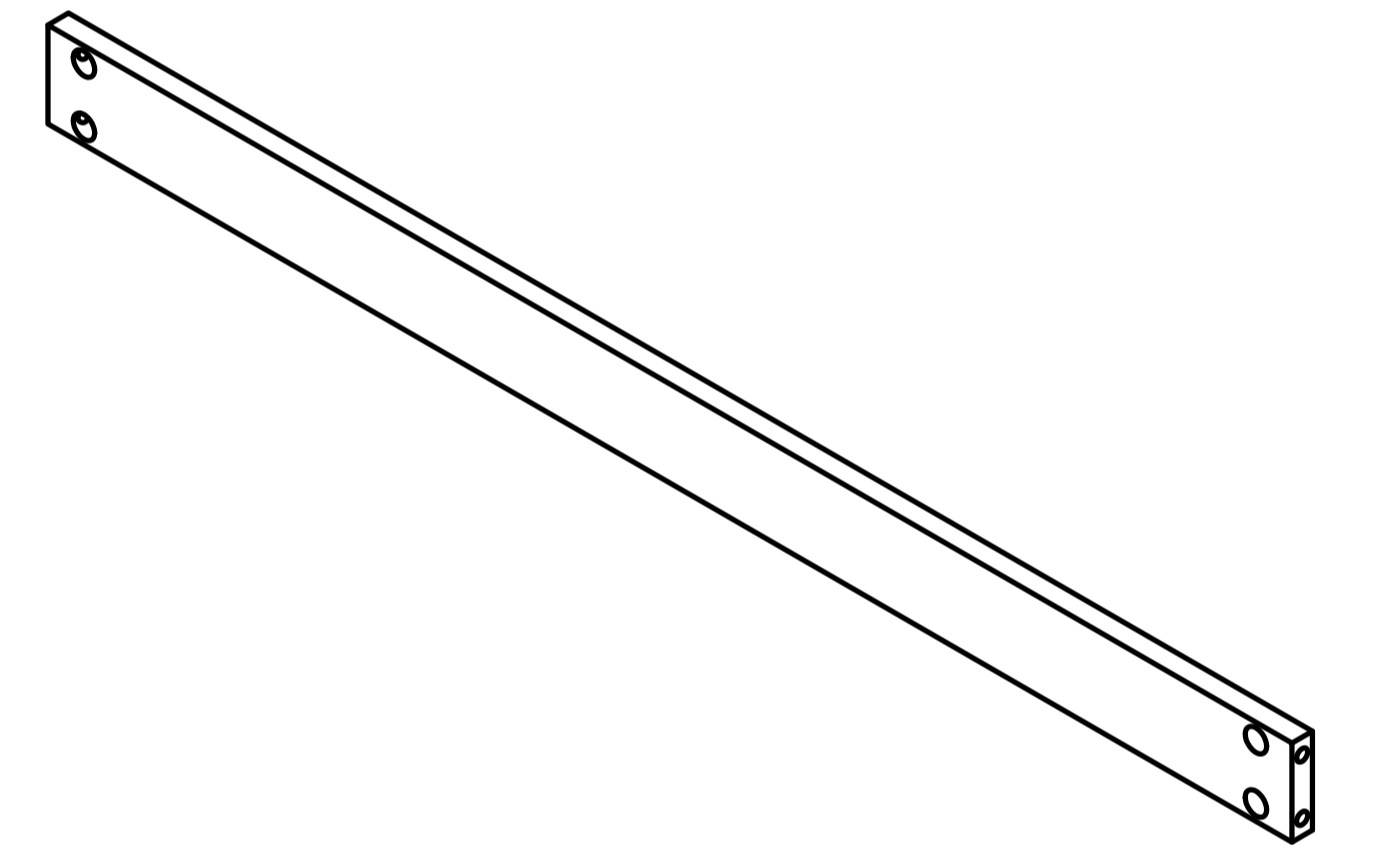
Ix1



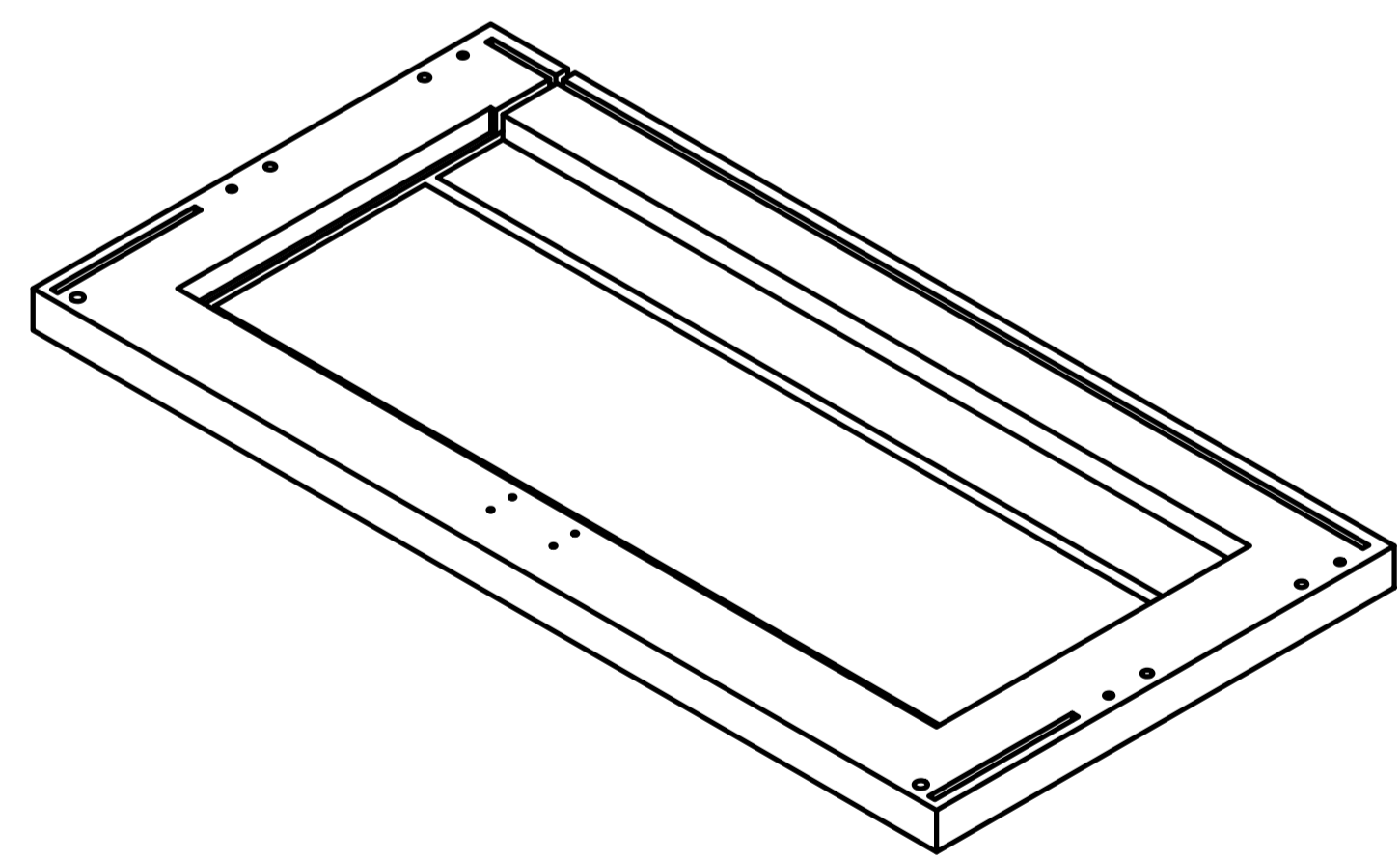
Jx1



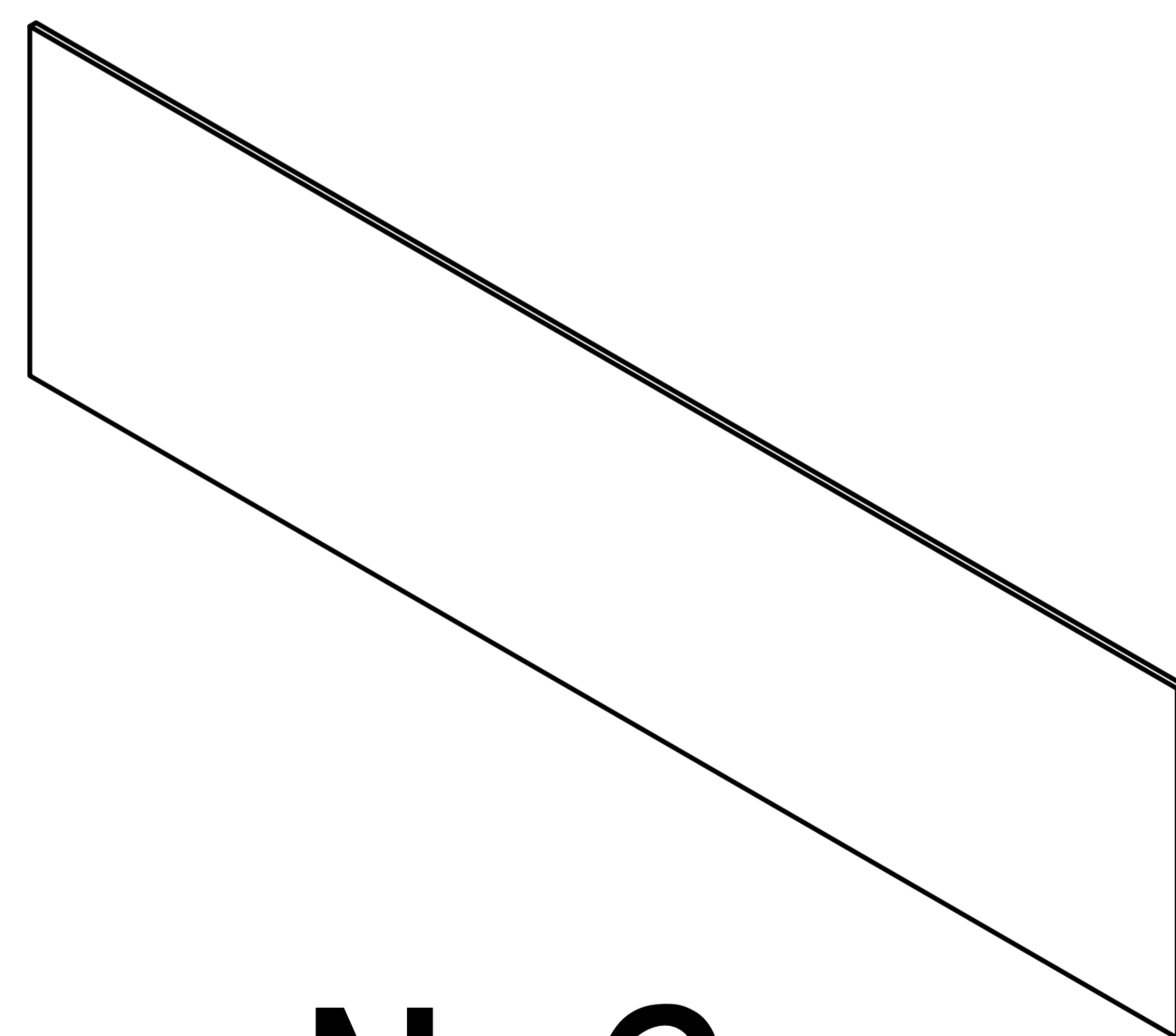
Kx4



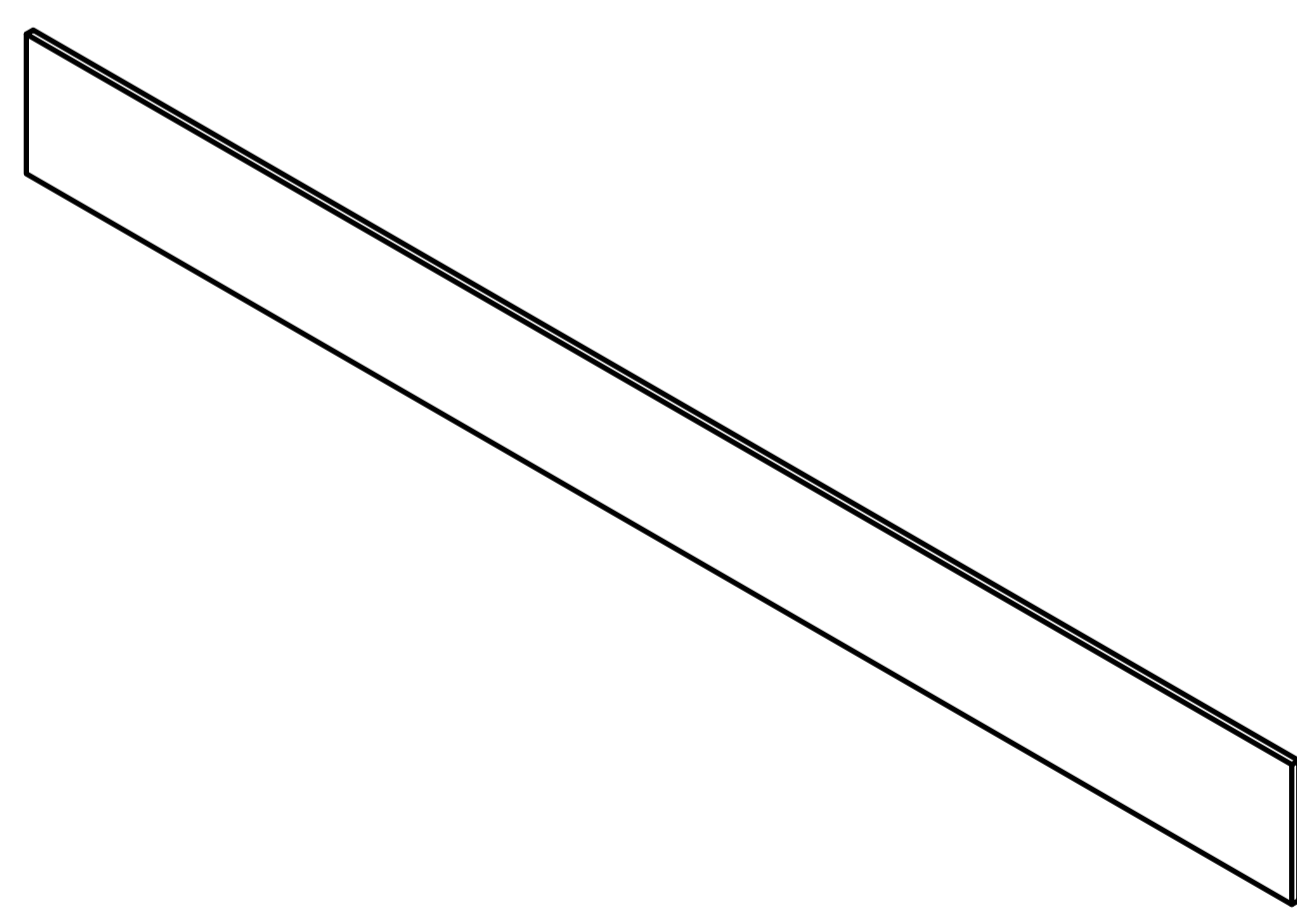
Lx1



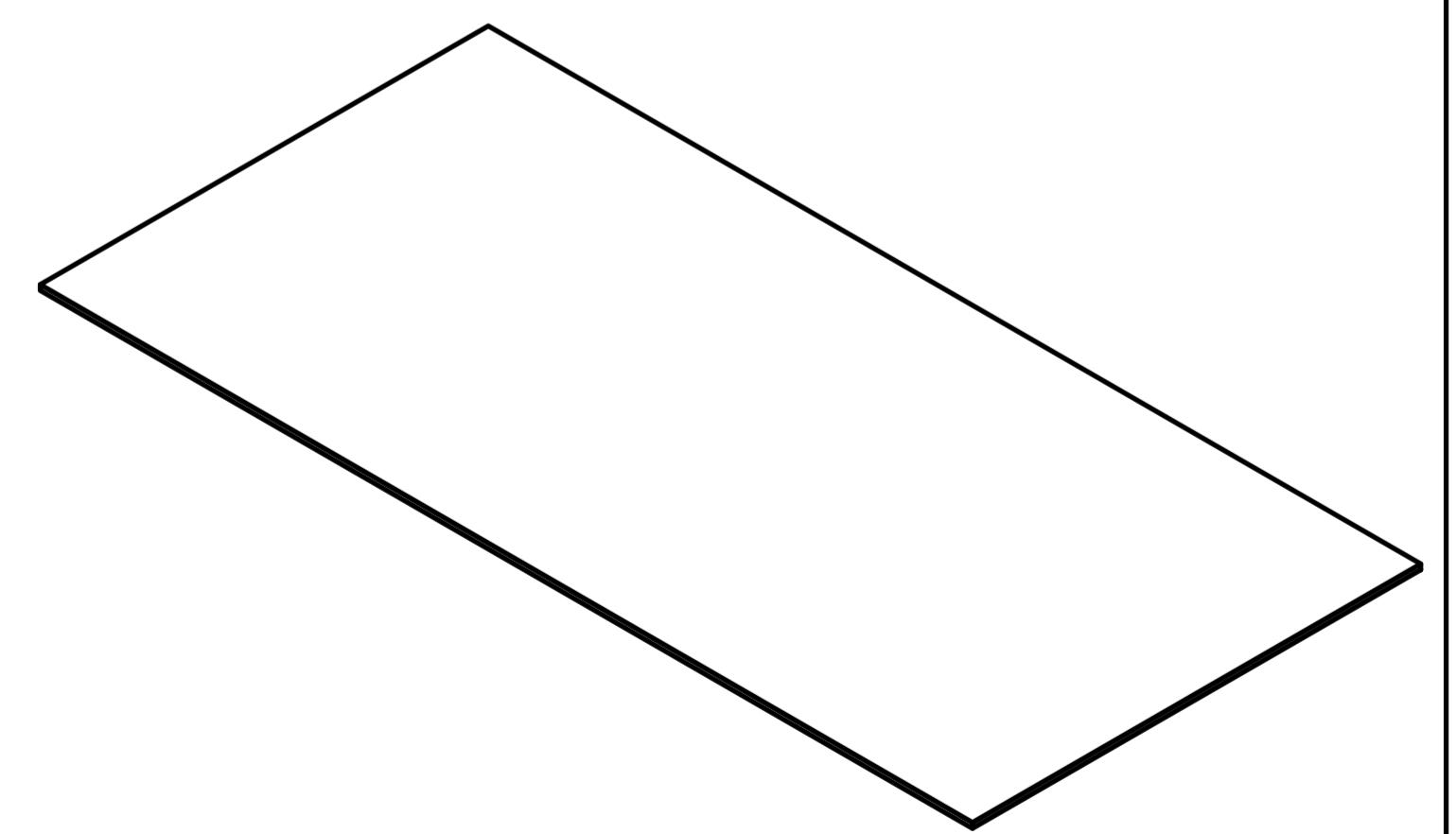
Mx1



Nx2



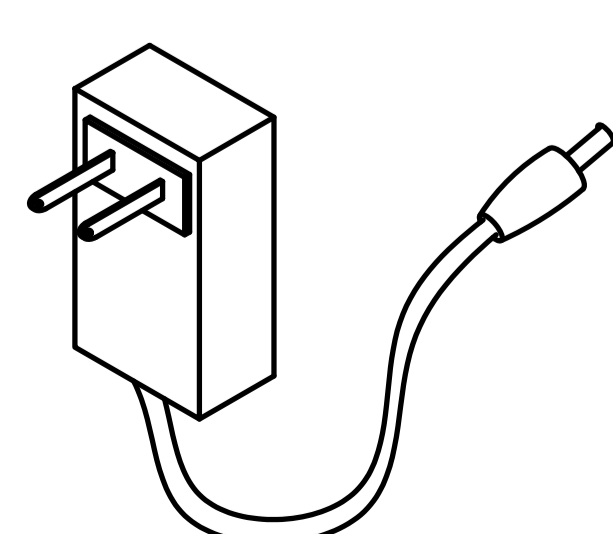
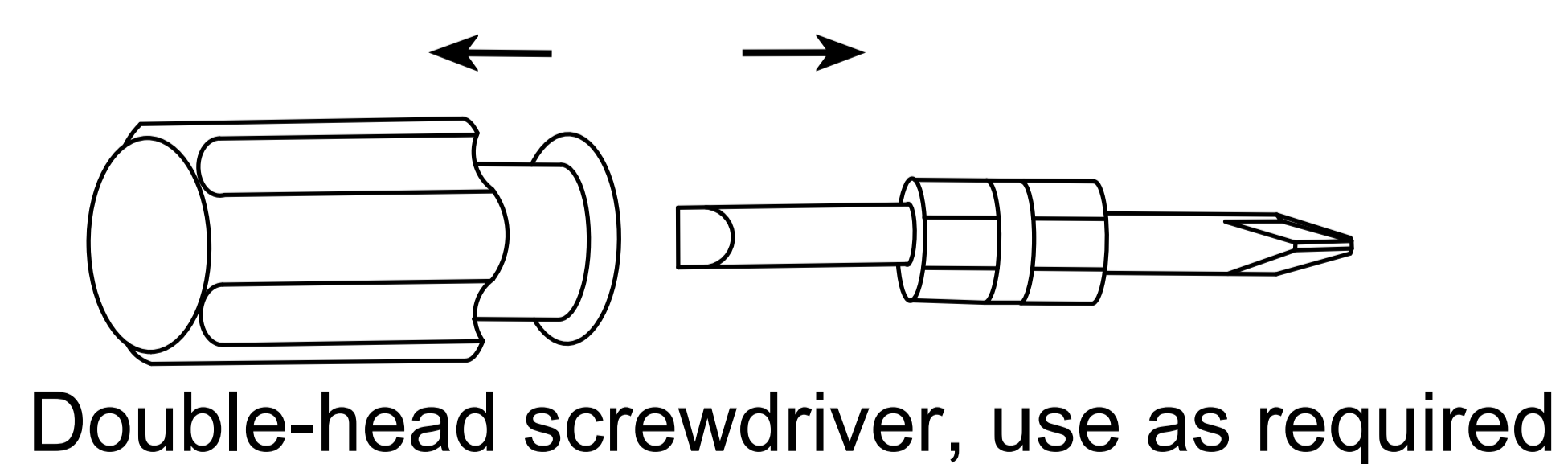
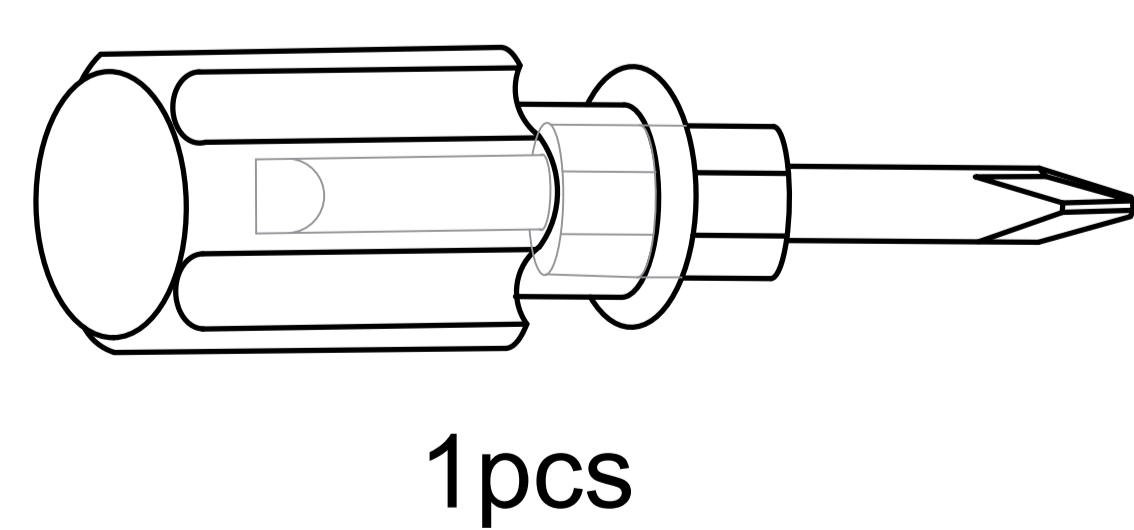
Ox2



Px2

Accessories list

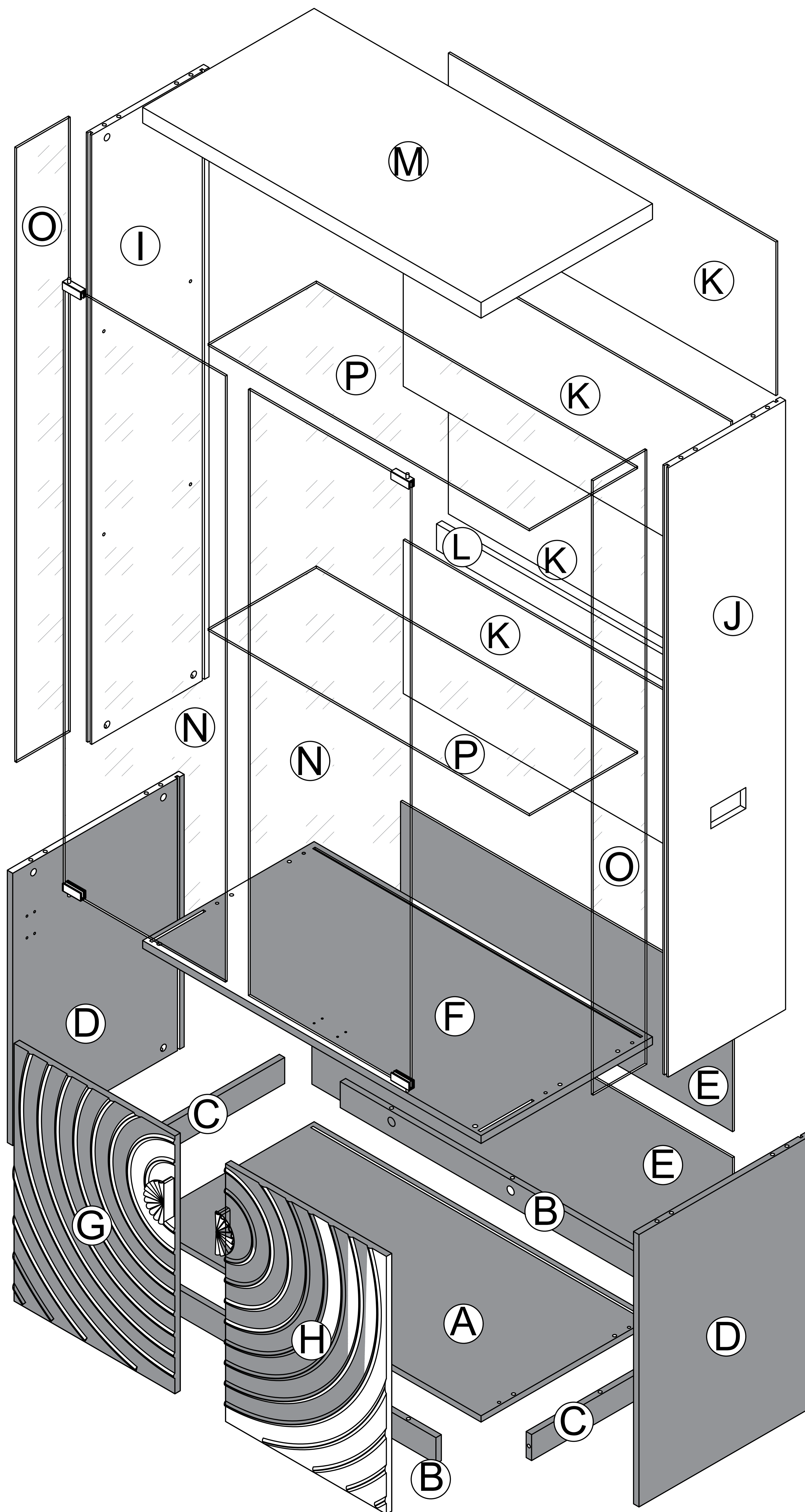
①		Two In One Screw (6x28mm)	32pcs +4pcs
②		Two In One Nut (10x12mm)	32pcs +4pcs
③		Wood Chipping (6x30mm)	16pcs +1pcs
④		Hinge	4pcs
		Rebound device & Screw (3x16mm)	4pcs +1pcs
		Iron sheet	1pcs
		lock	2pcs
⑤		Backplate clamp strips 714mm	2pcs
⑥		Fixing Clip & Screw (3x16mm)	20pcs +2pcs
⑦		Non-slip pads	8pcs +1pcs
⑧		Wire Clamp	2pcs
⑨		Screw & Hinge (3.5x12mm)	24pcs +1pcs
⑩	<p>Anti tipping hardware</p> <p>+1pcs +1pcs (3.5x12mm) +1pcs (4x45mm) +1pcs +2pcs</p>		
⑪		Handle & Screw (4x22mm)	2pcs 4pcs +1pcs
⑫		Glass clip fastening & Screw (3.5x12mm)	8pcs 8pcs +1pcs +1pcs
⑬		Backplate clamp strips 723mm	1pcs
⑭		Door Magnet & Screw (3x12mm)	1pcs 2pcs +1pcs



AC/DC Adapter (12V=2.0A)

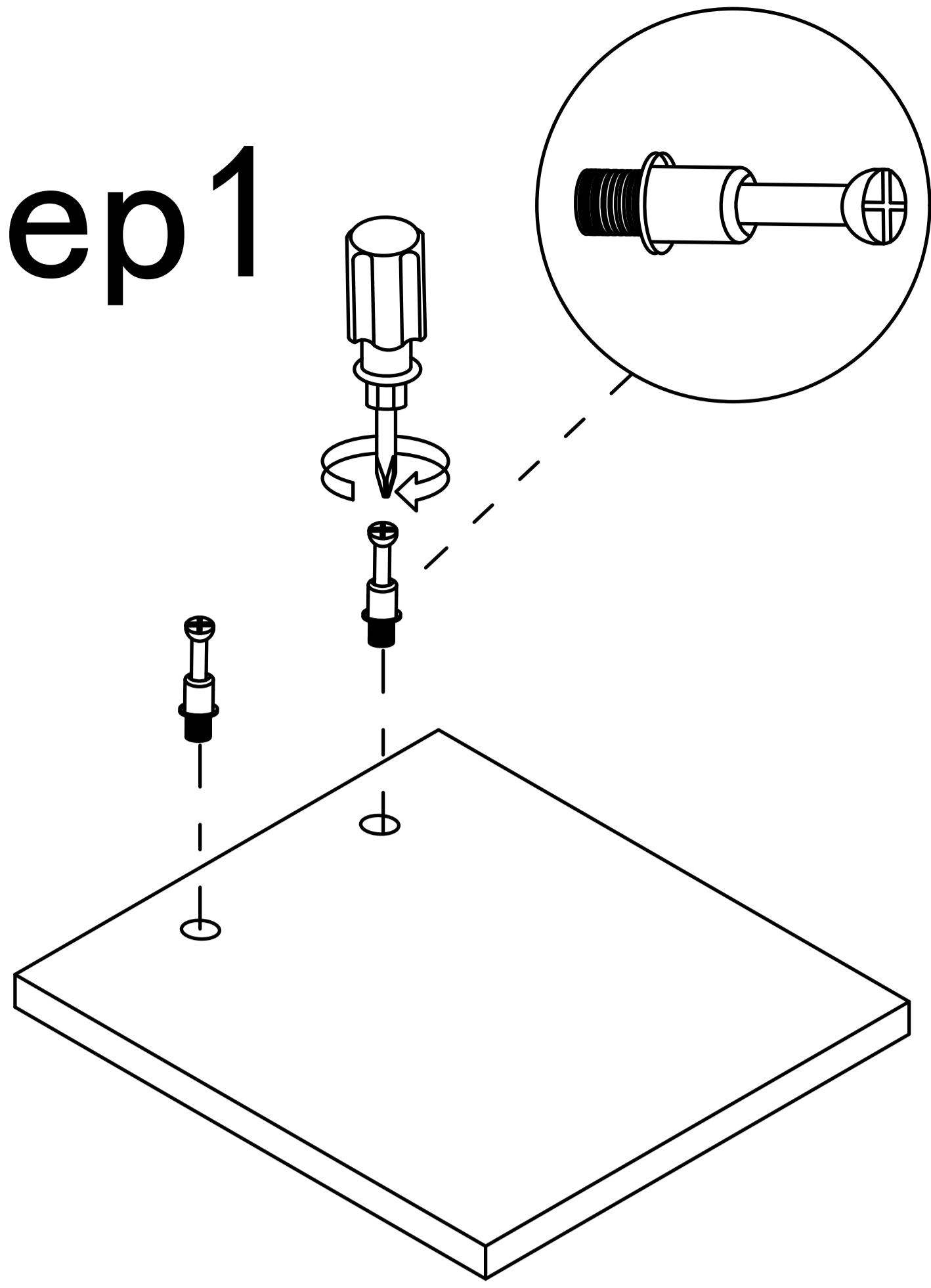
3

Product structure decomposition

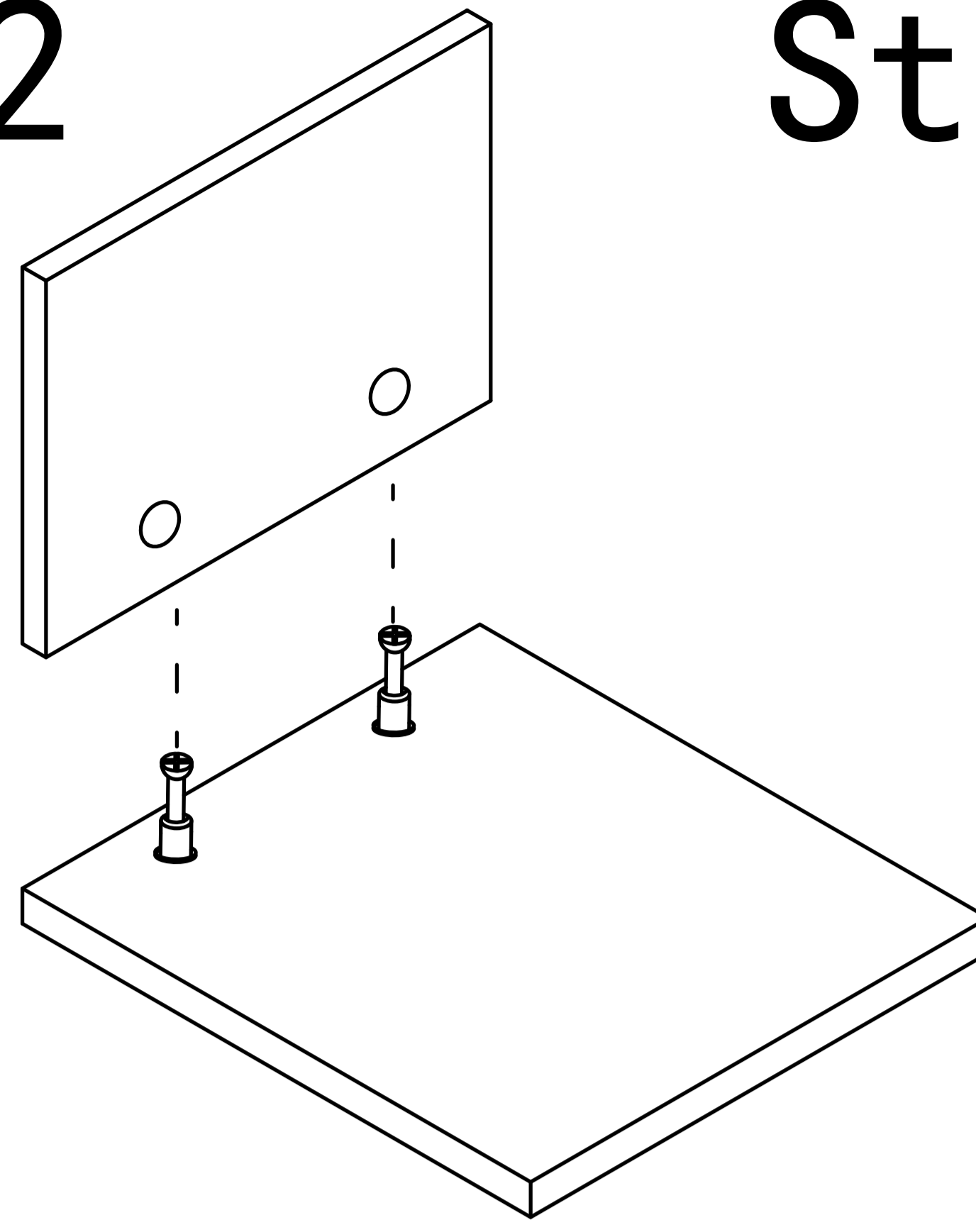


Use parts A and B

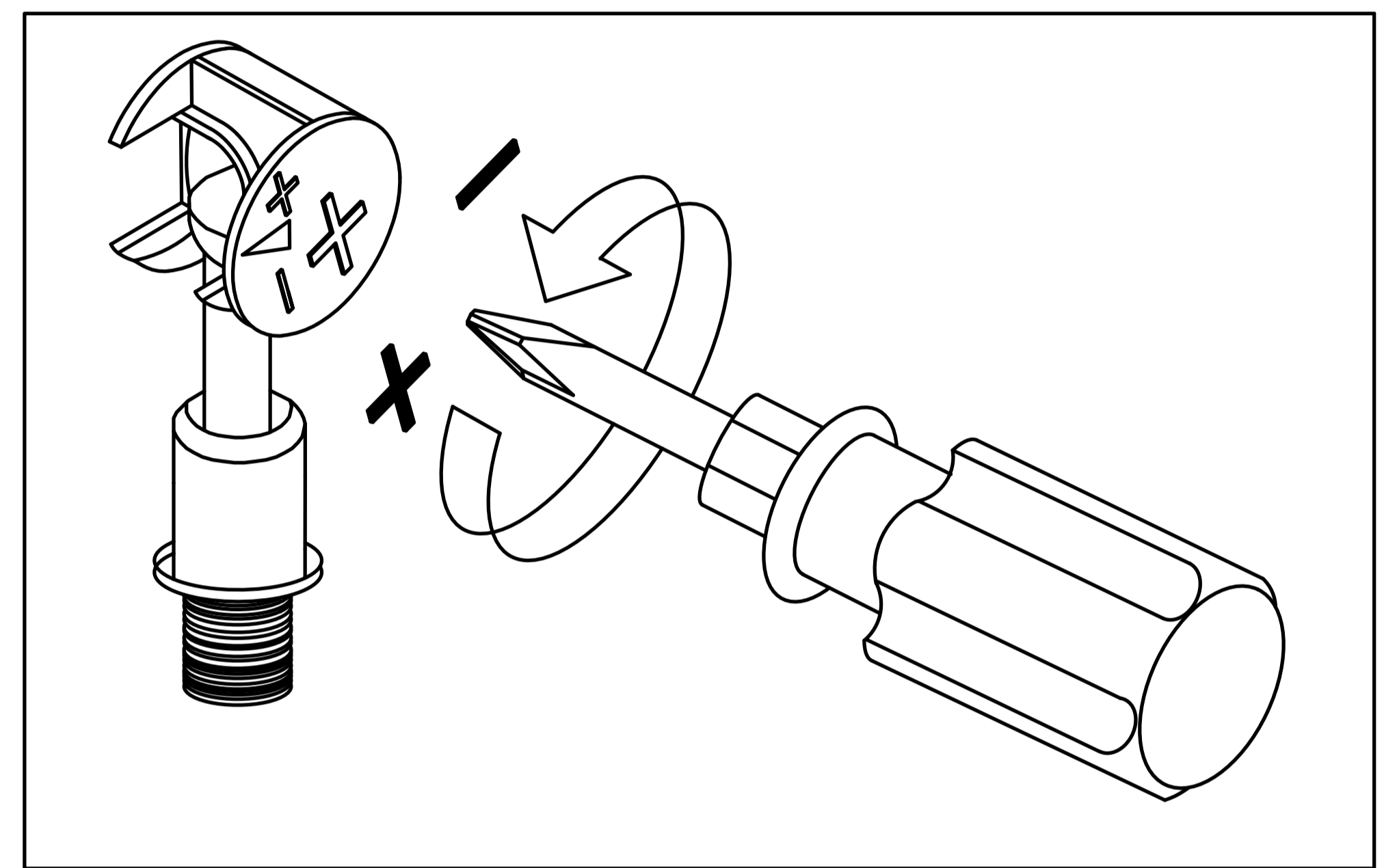
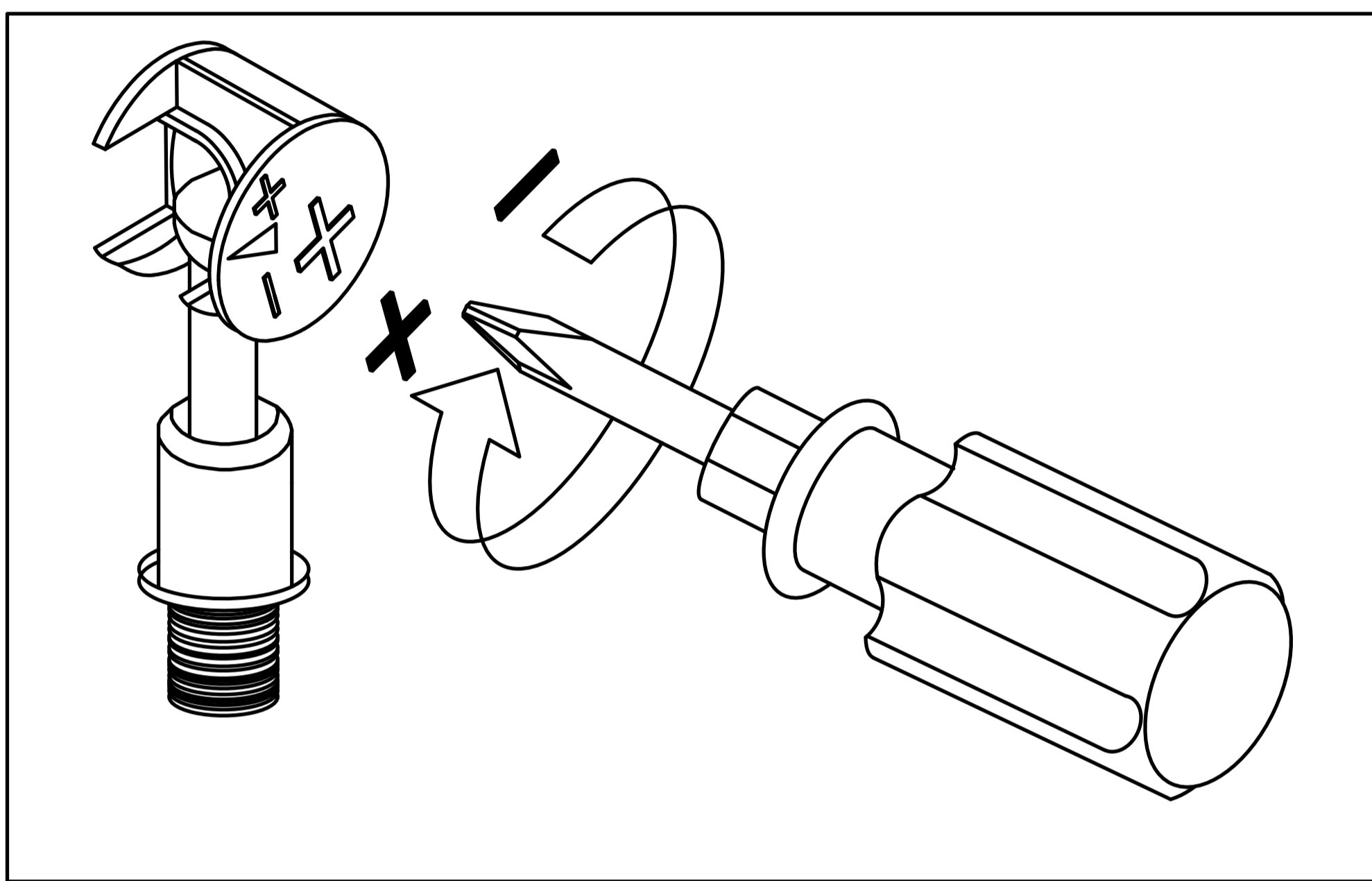
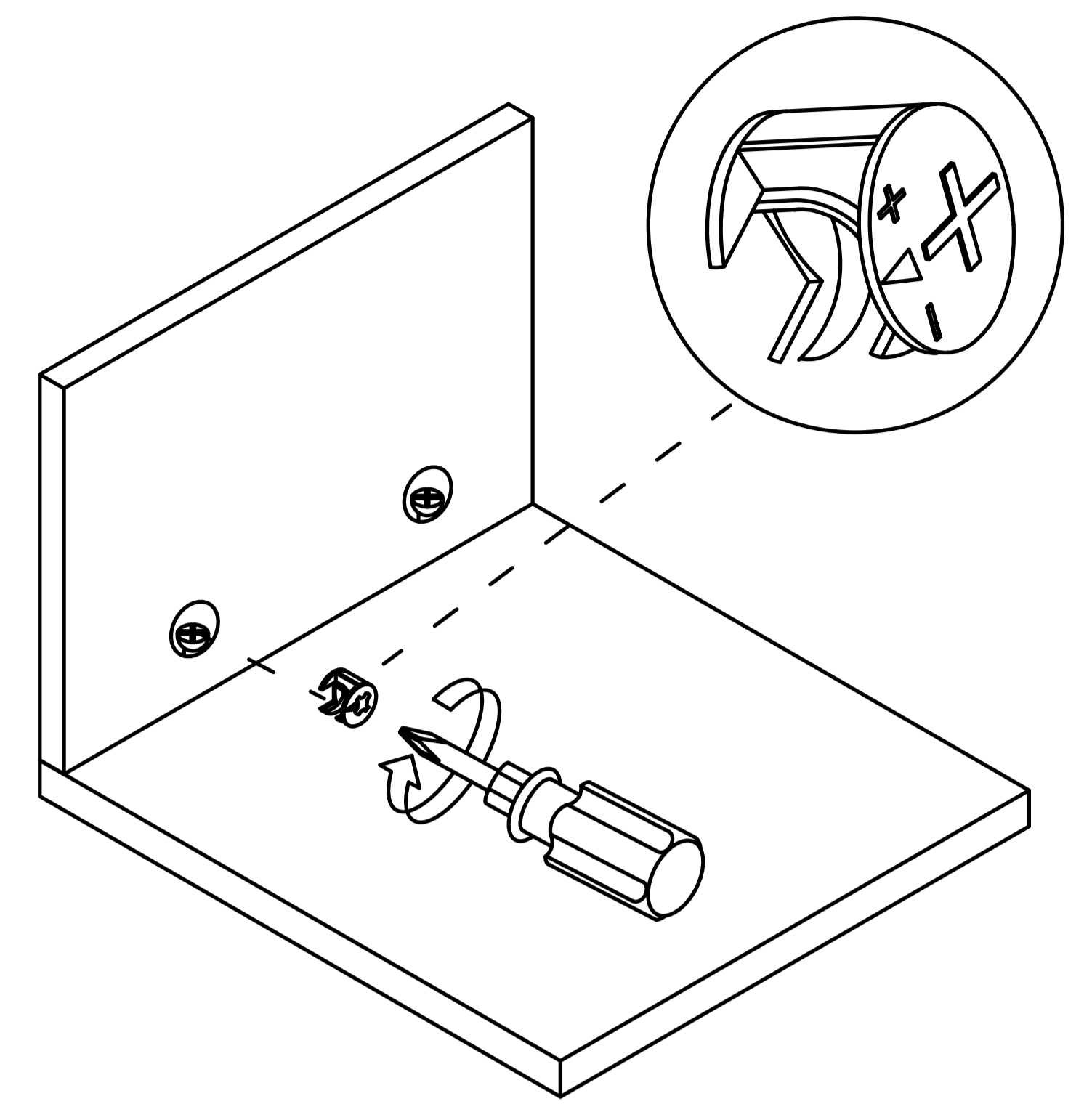
Step 1



Step 2



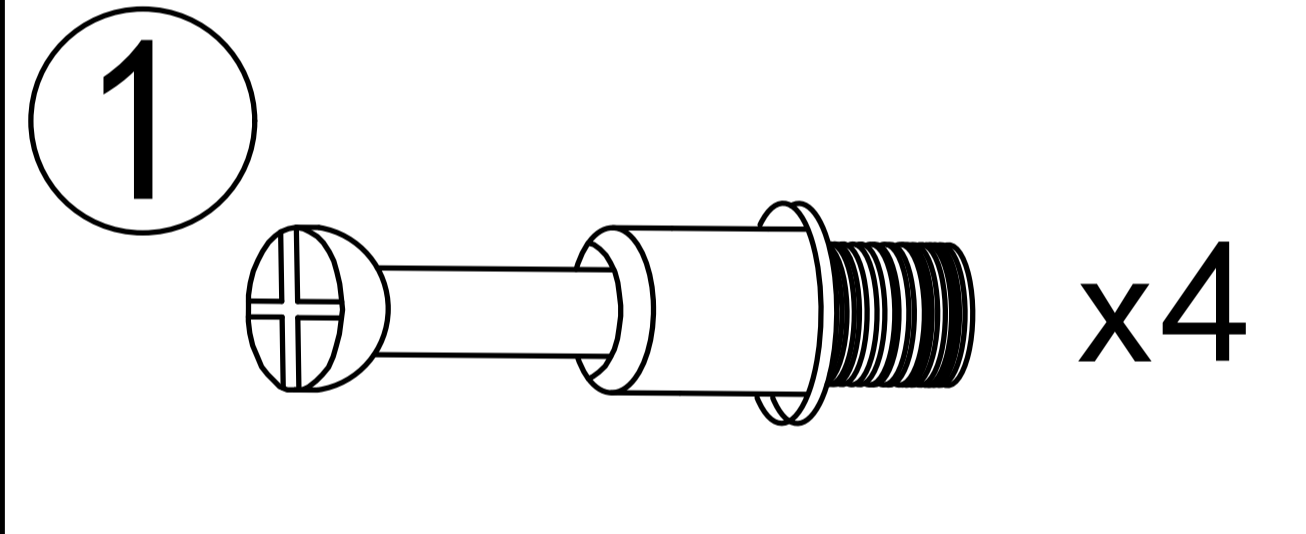
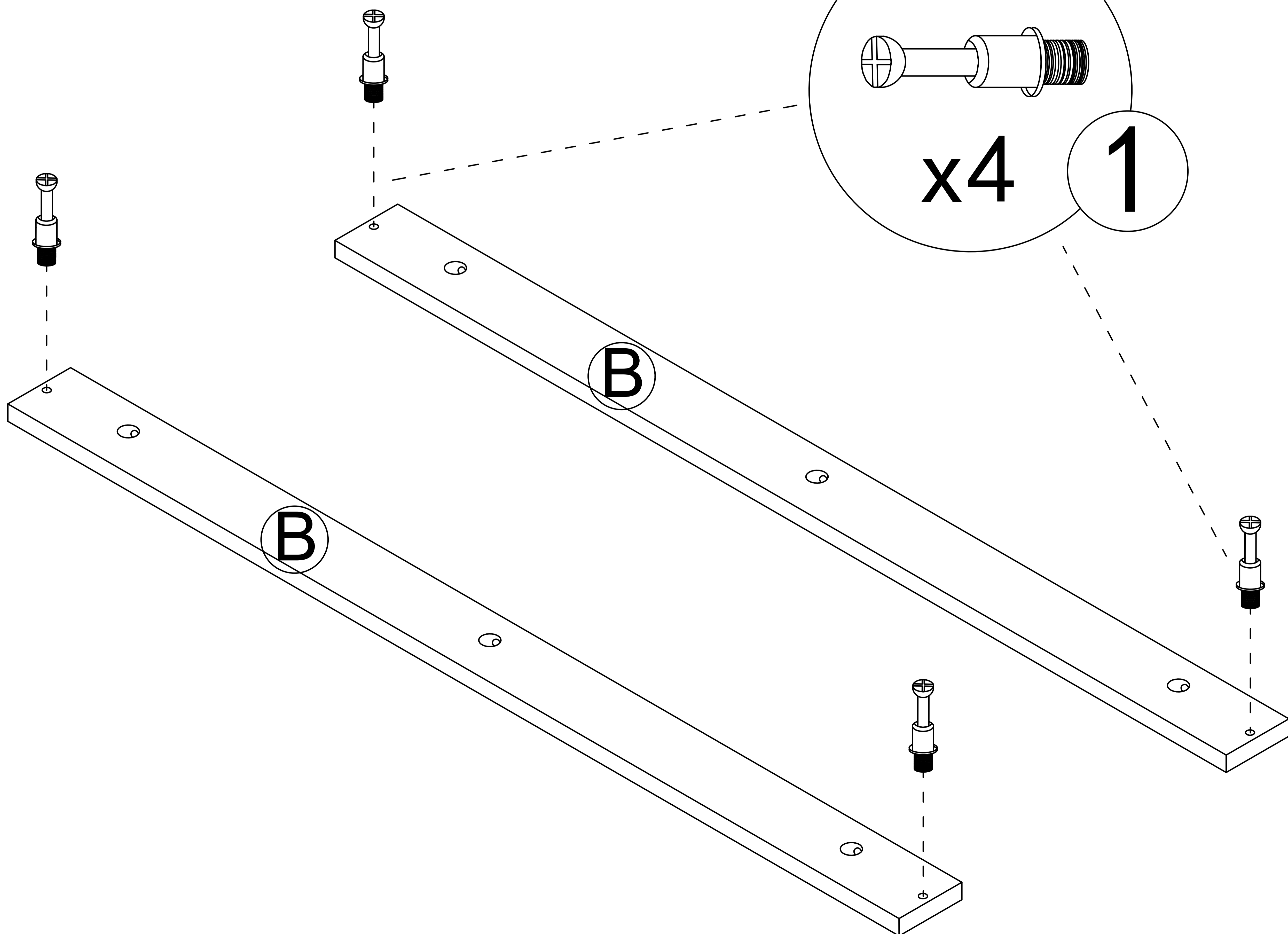
Step 3



Use a screwdriver to lock in the direction of the "+" sign

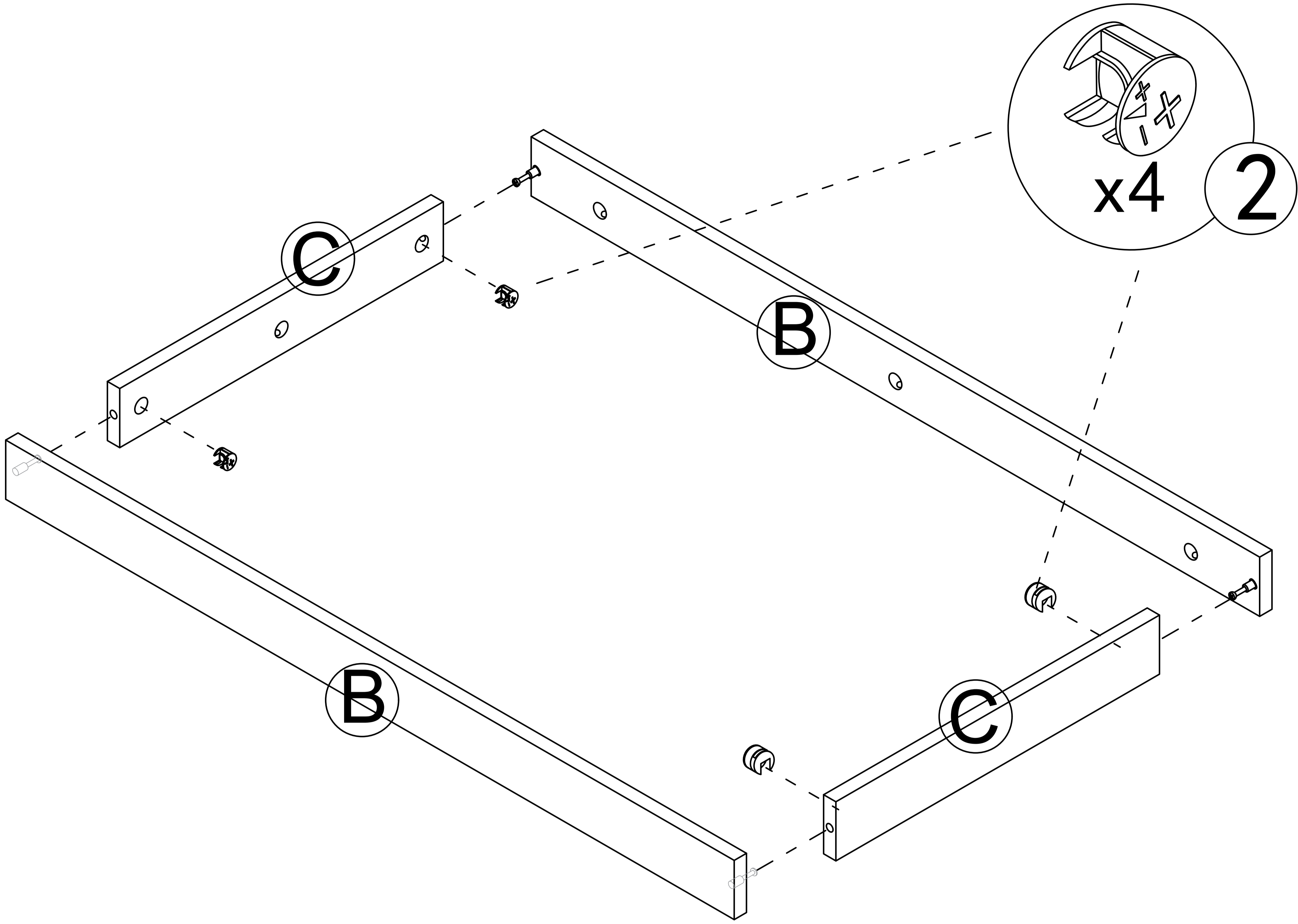
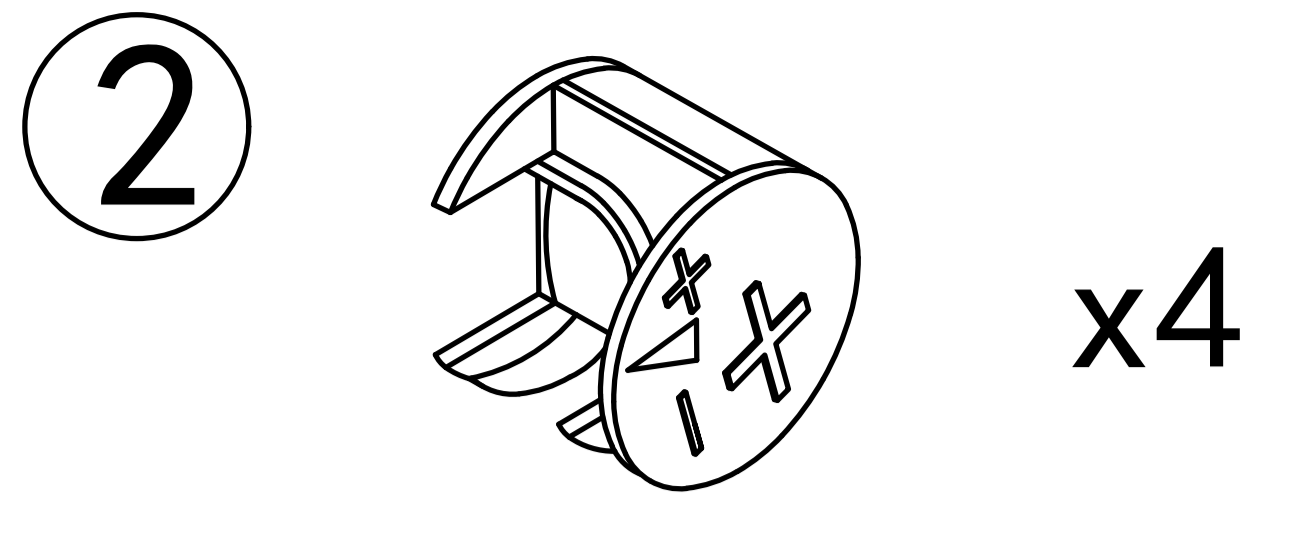
Disassemble along the direction of "-" sign

Step 1

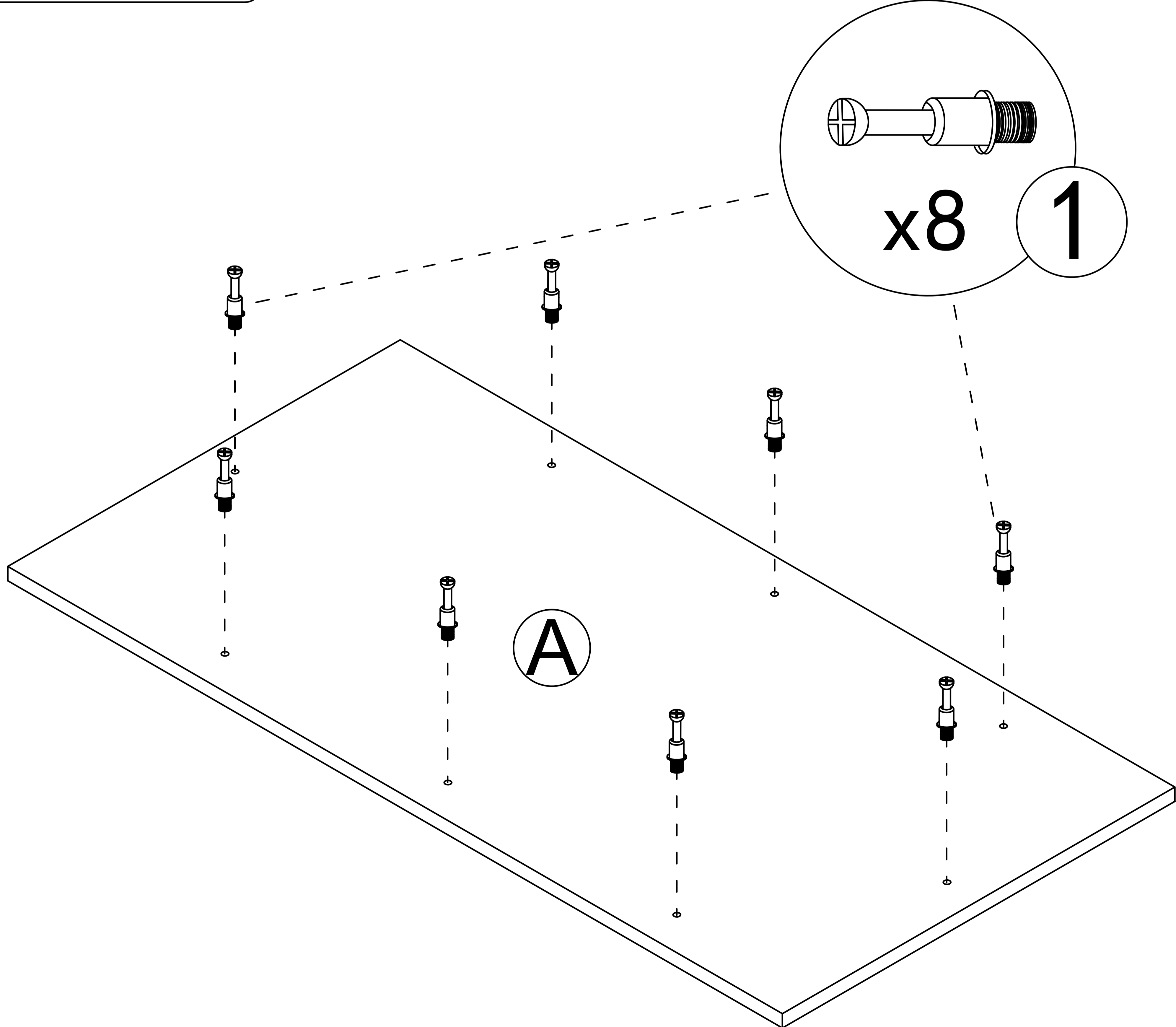
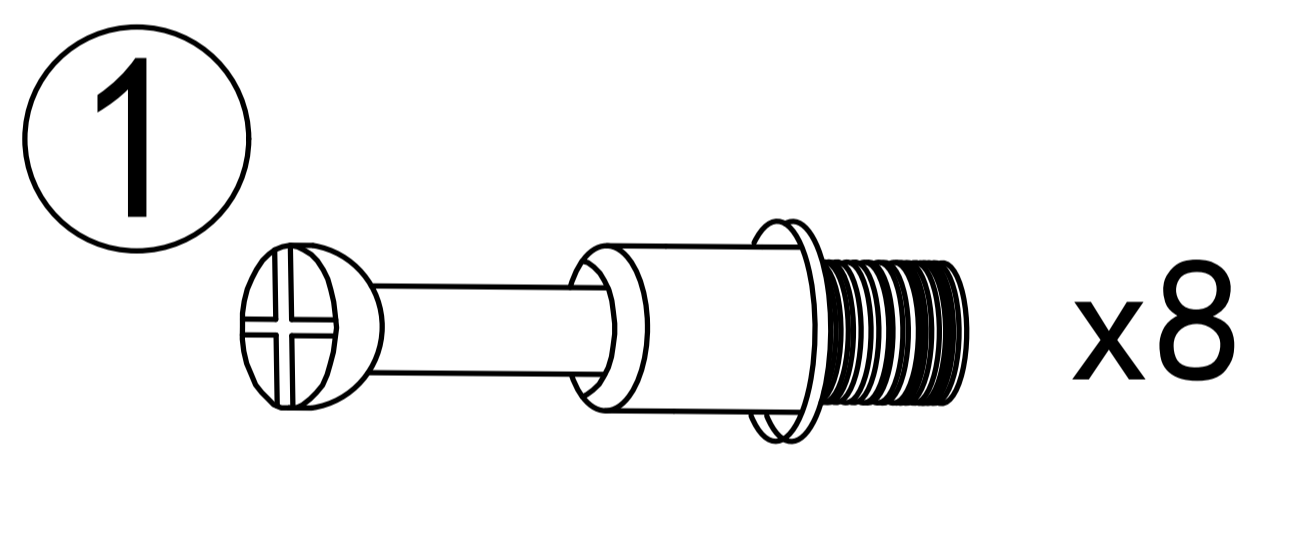


5

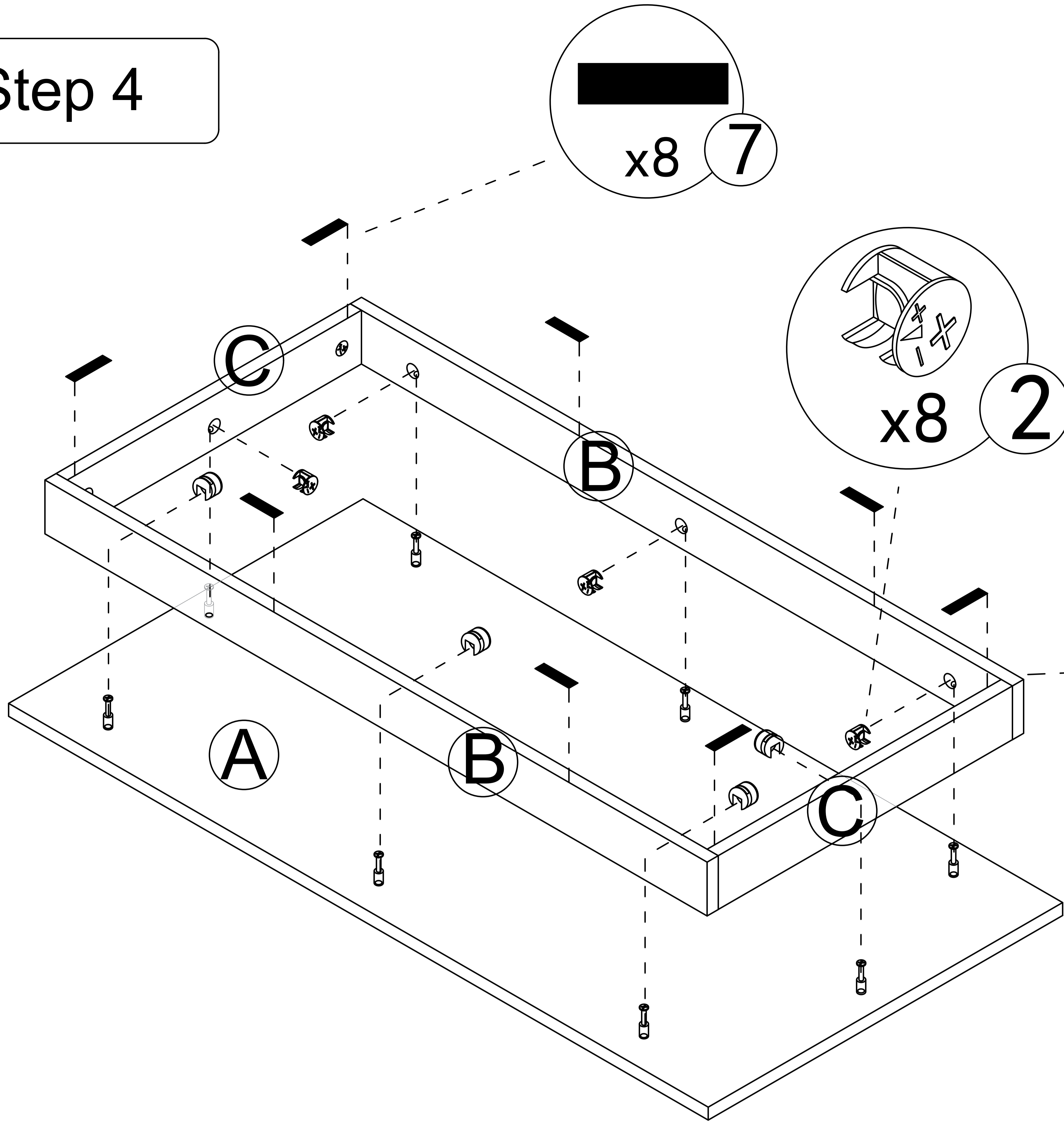
Step 2

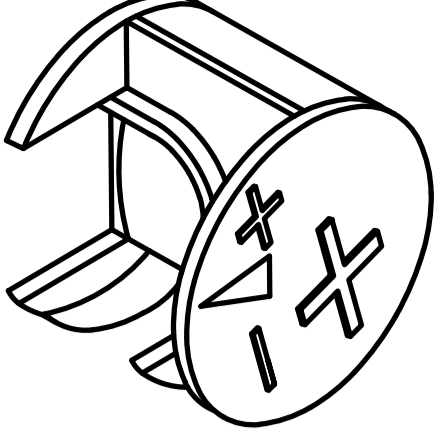



Step 3

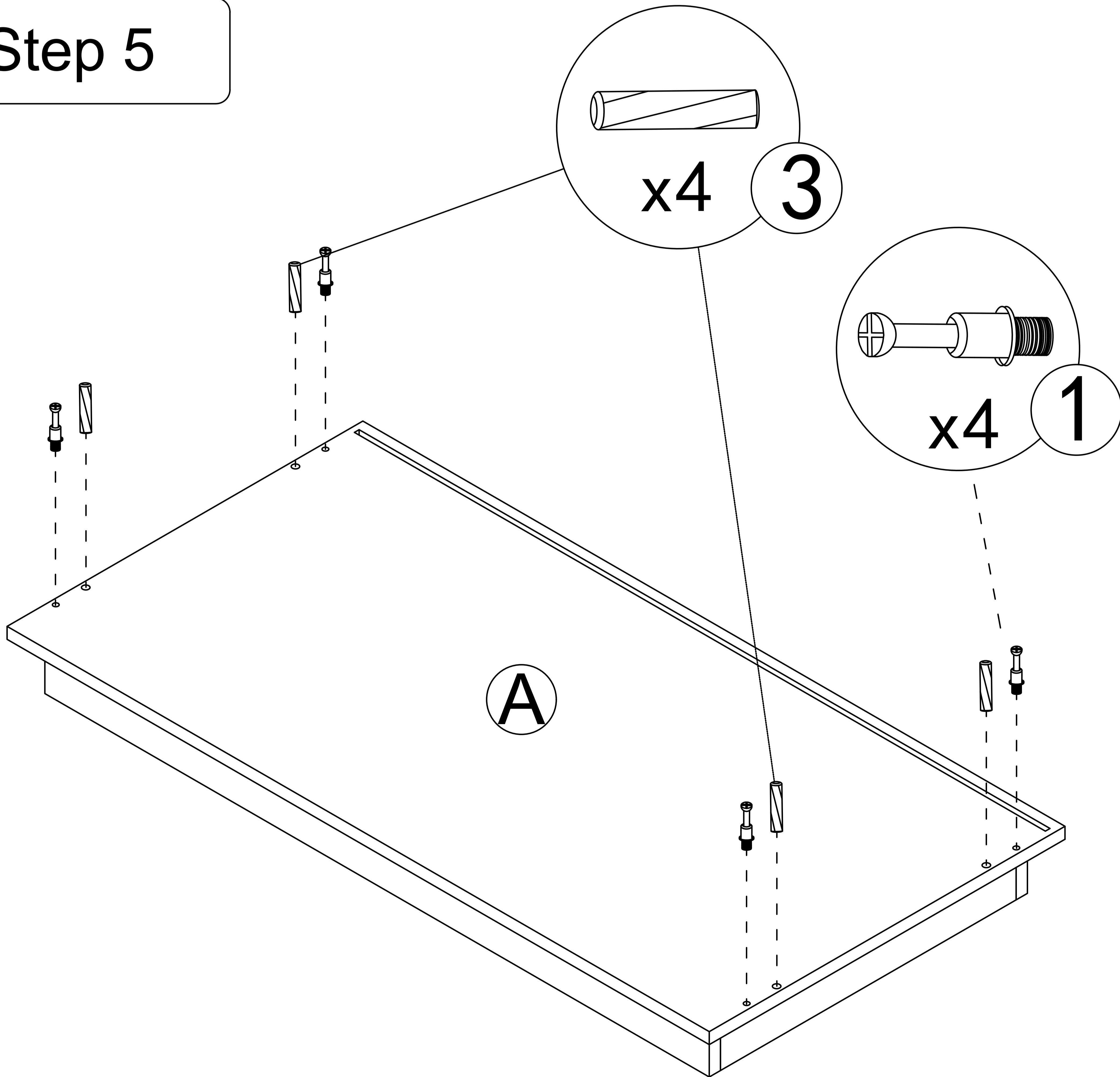


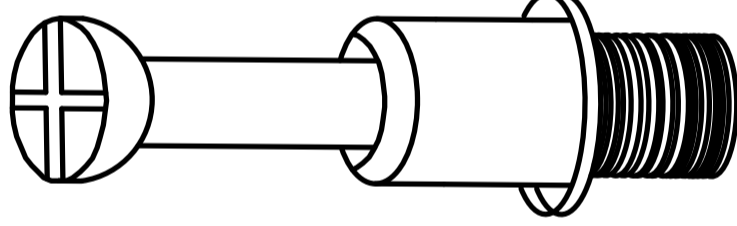

Step 4



- 2

x8
 - 7

x8
- Tear off release paper and stick the black foot pad on the board

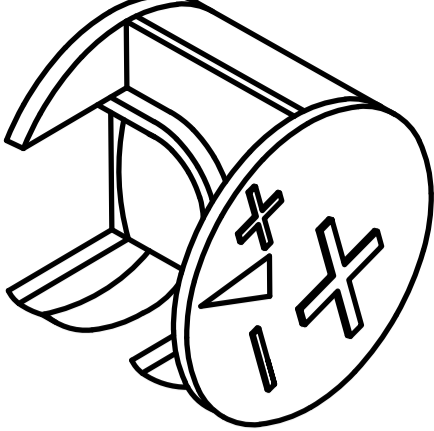
Step 5

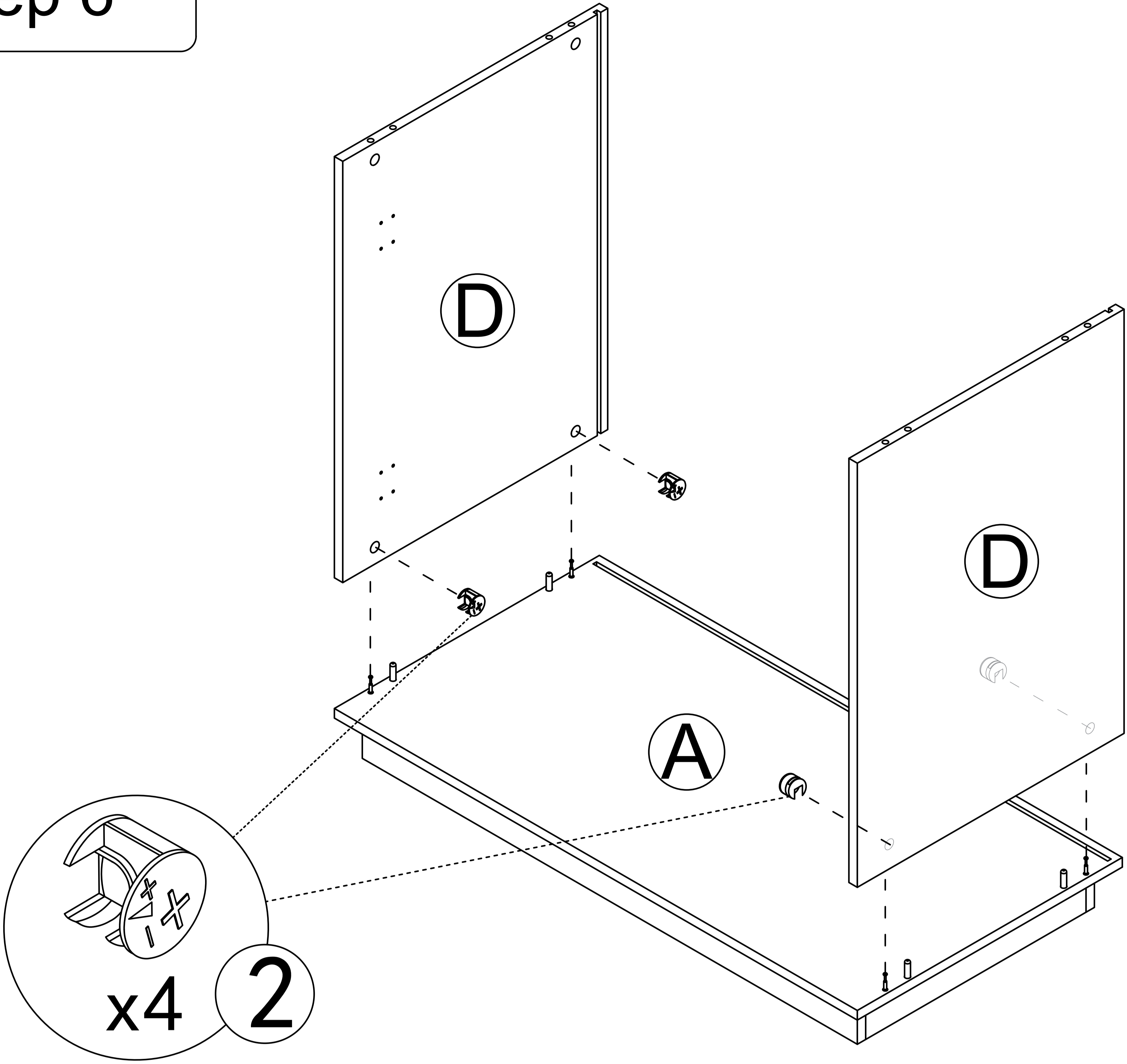


- 1

x4
- 3

x4

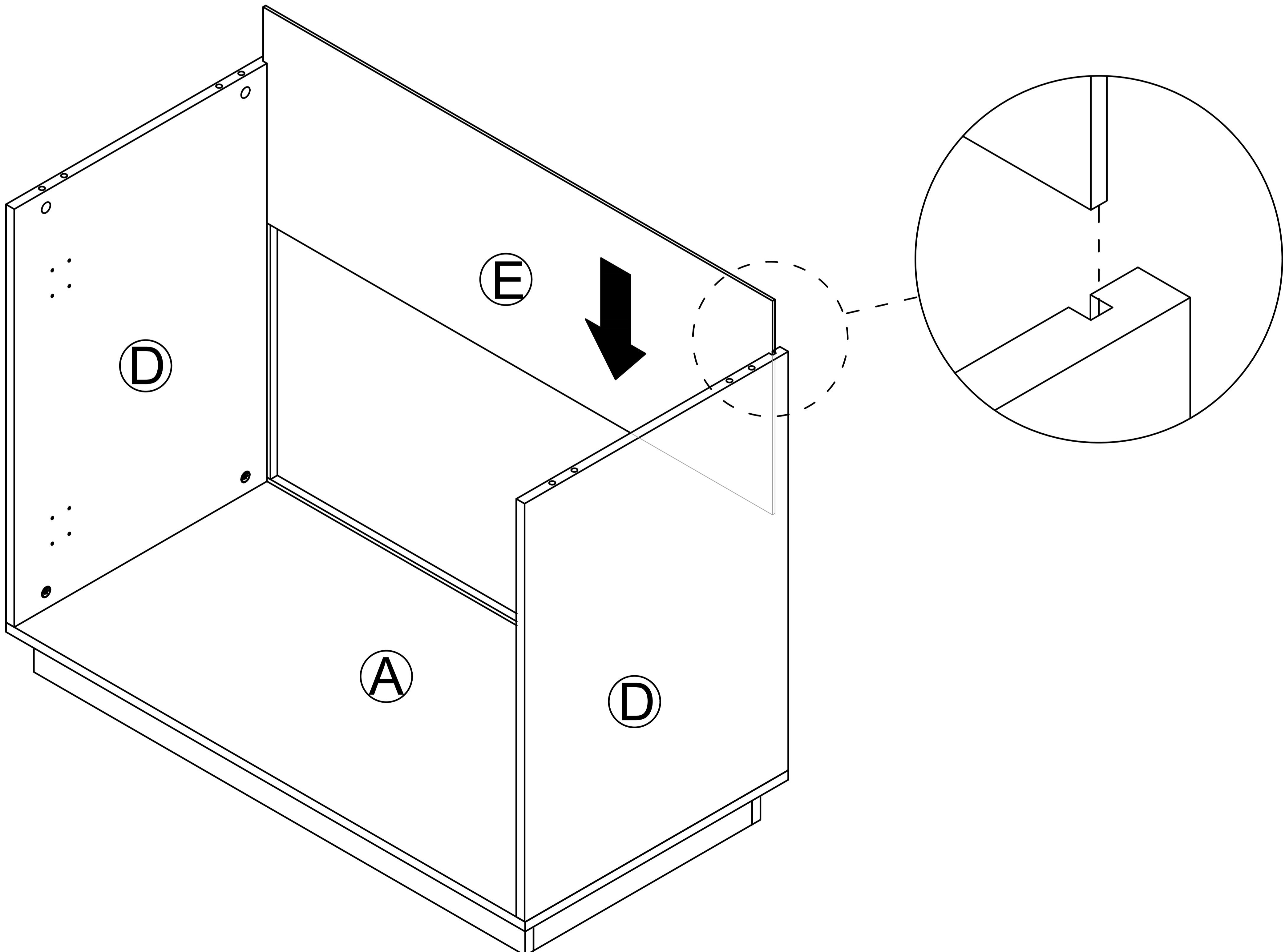


Step 6

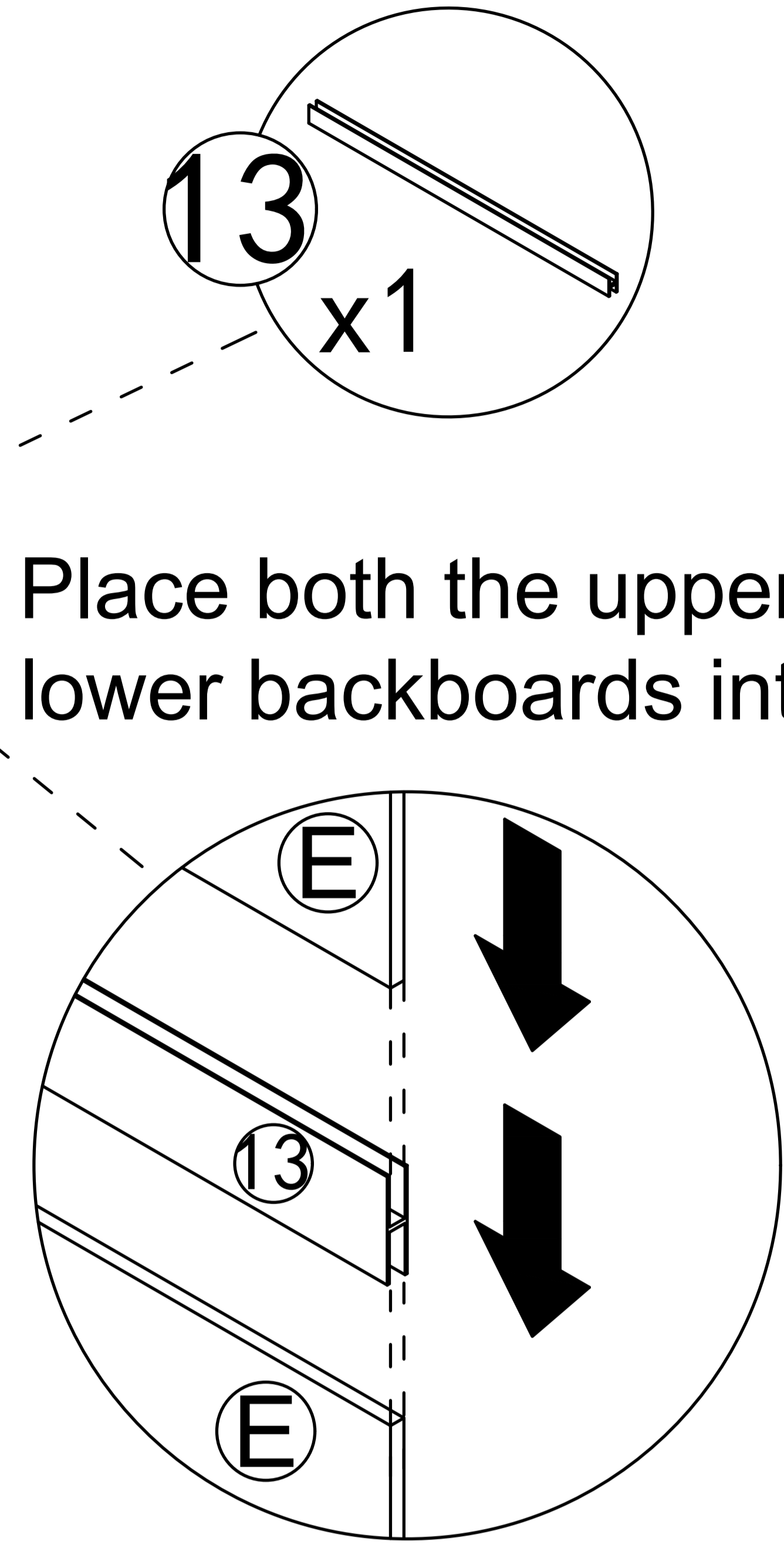
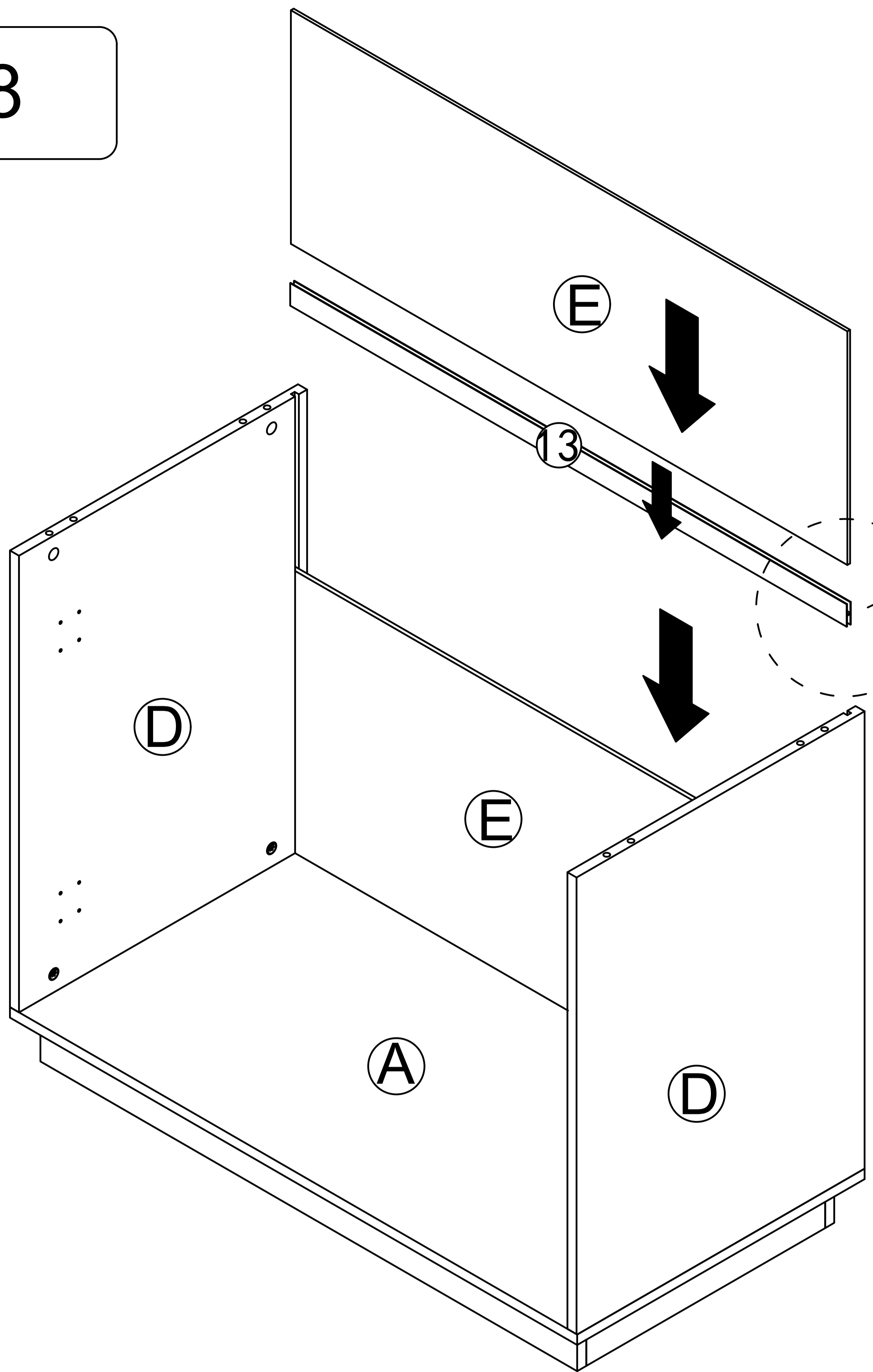
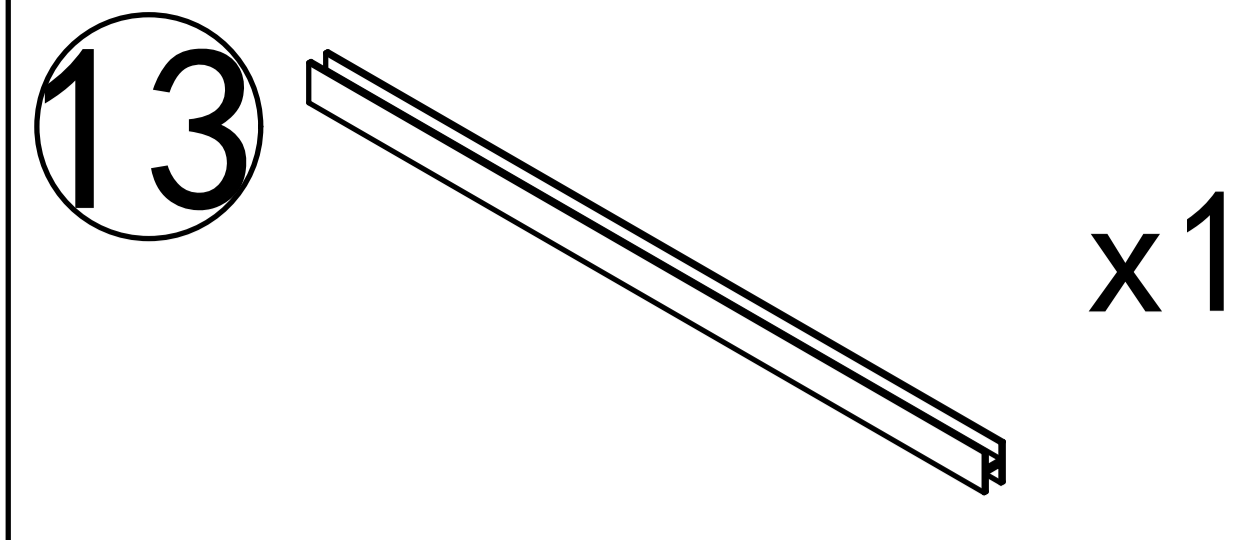
2  x4



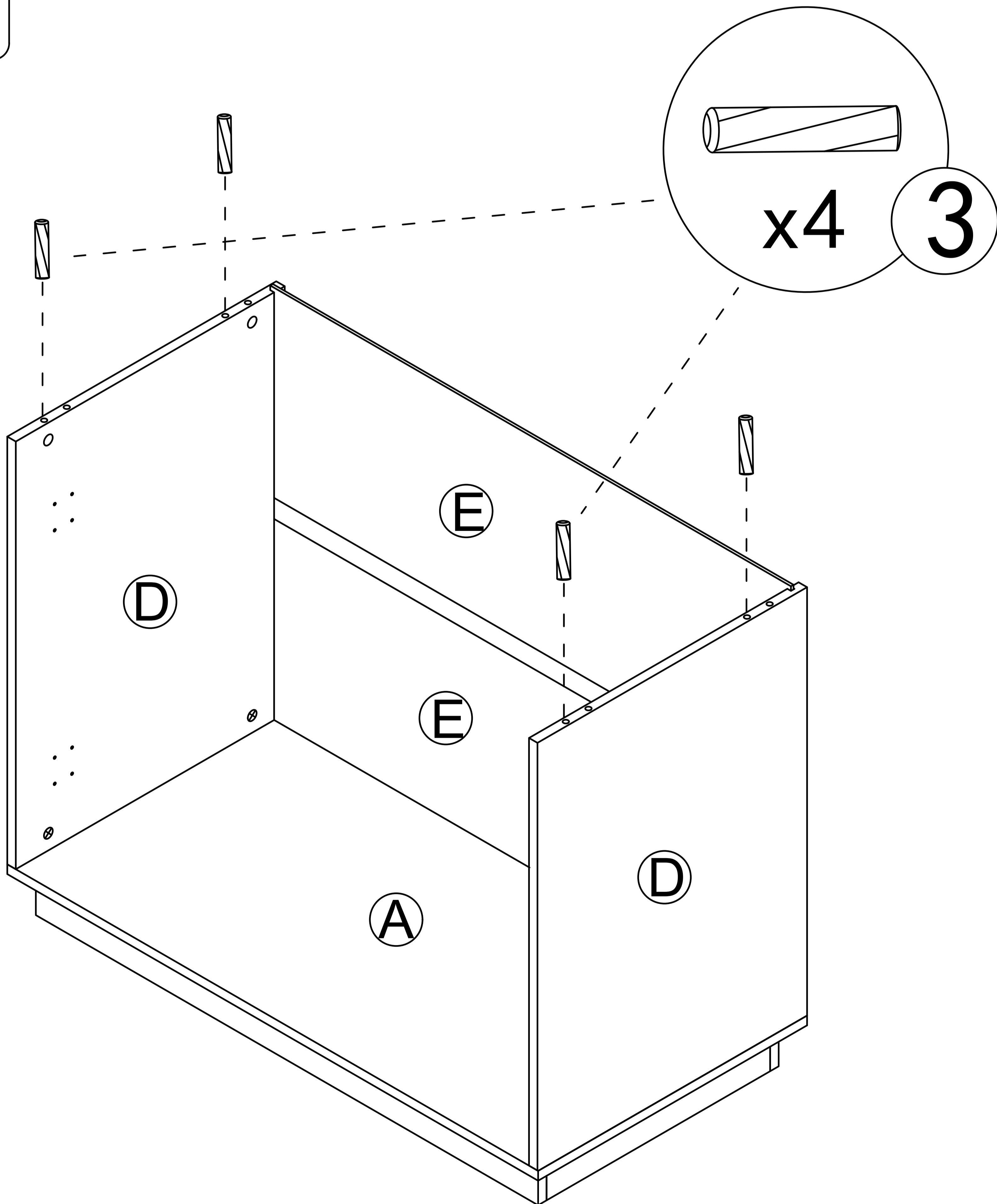
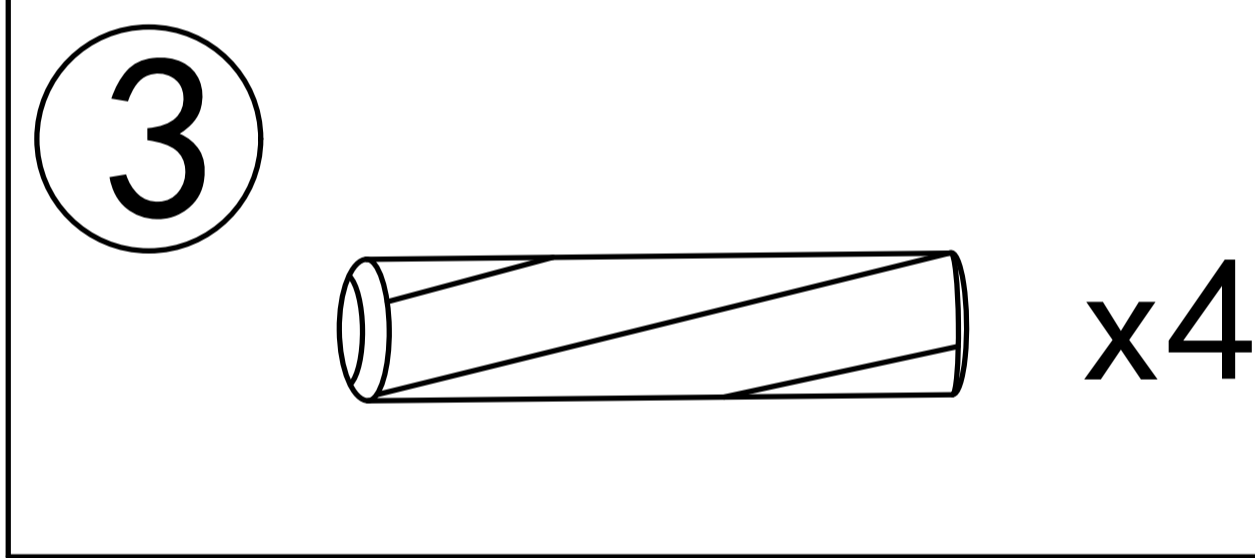
Step 7



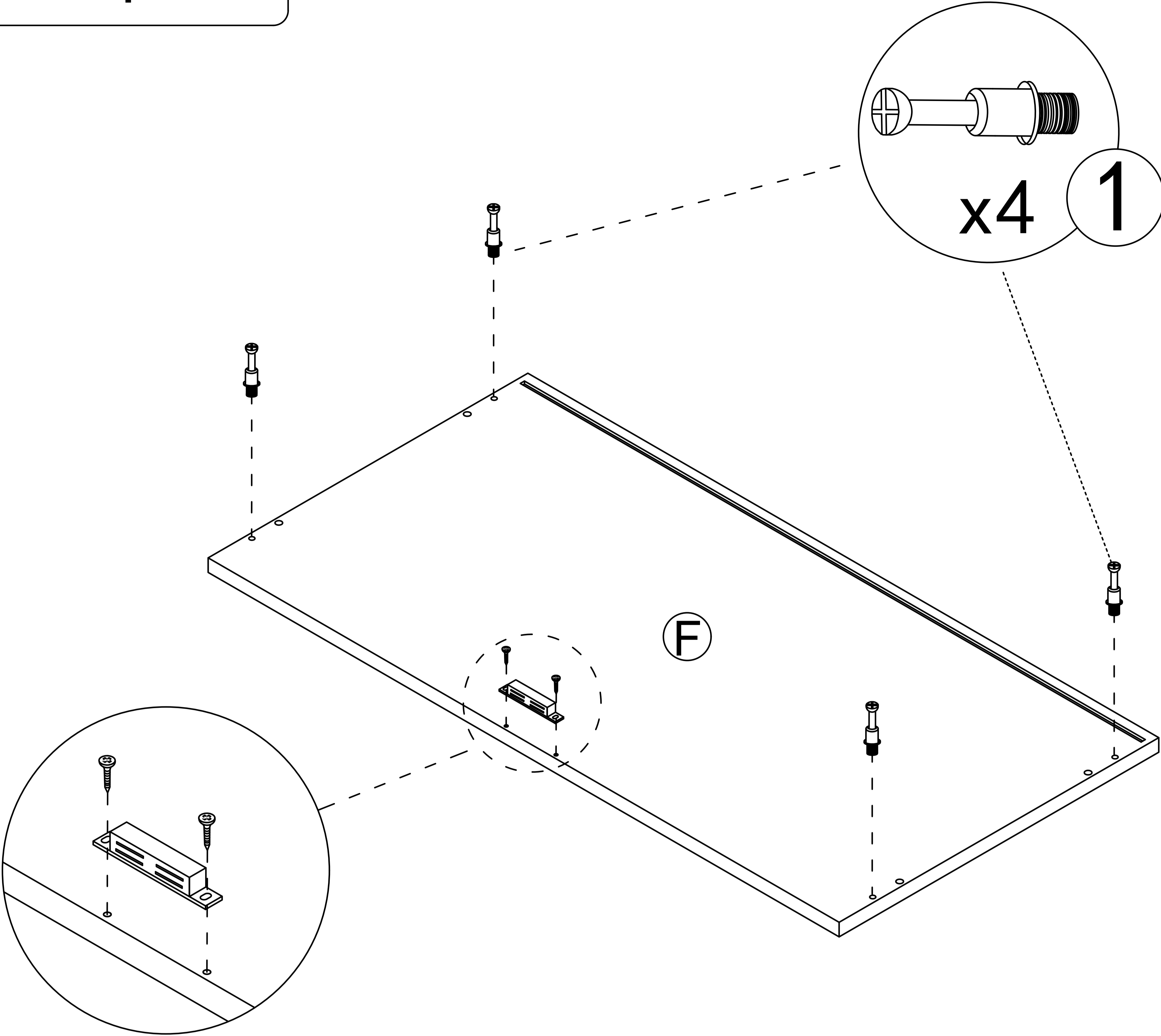
Step 8

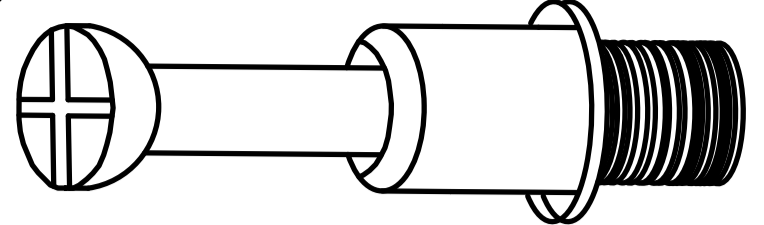


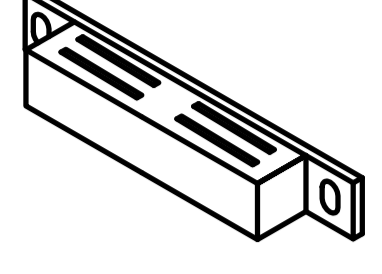
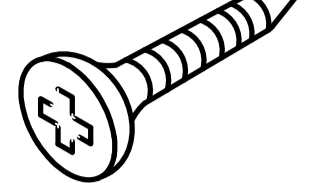
Step 9



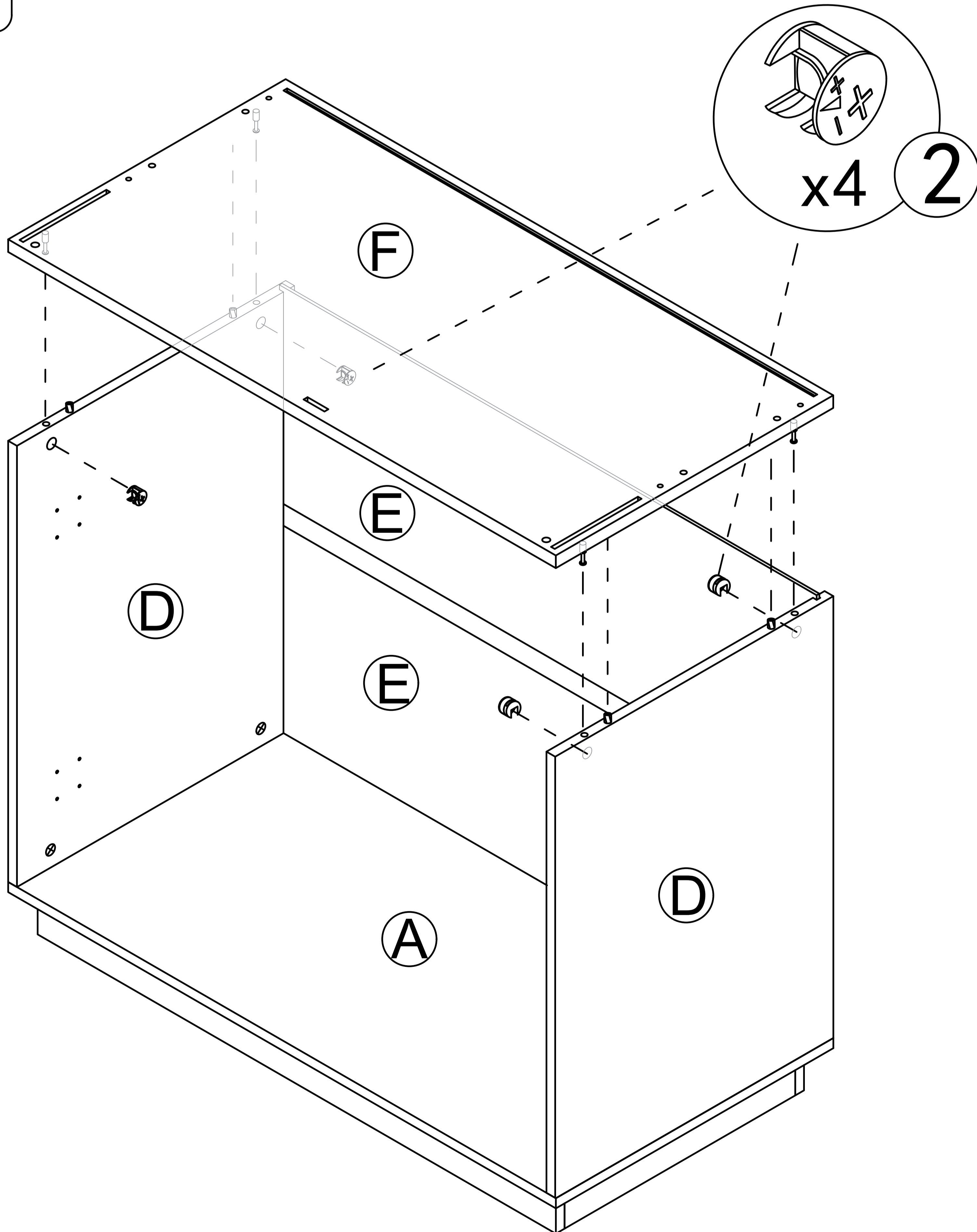
Step 10

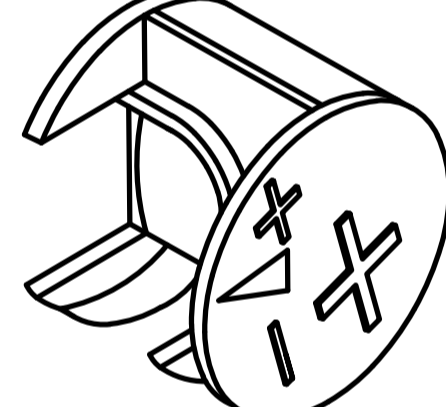


1  x4

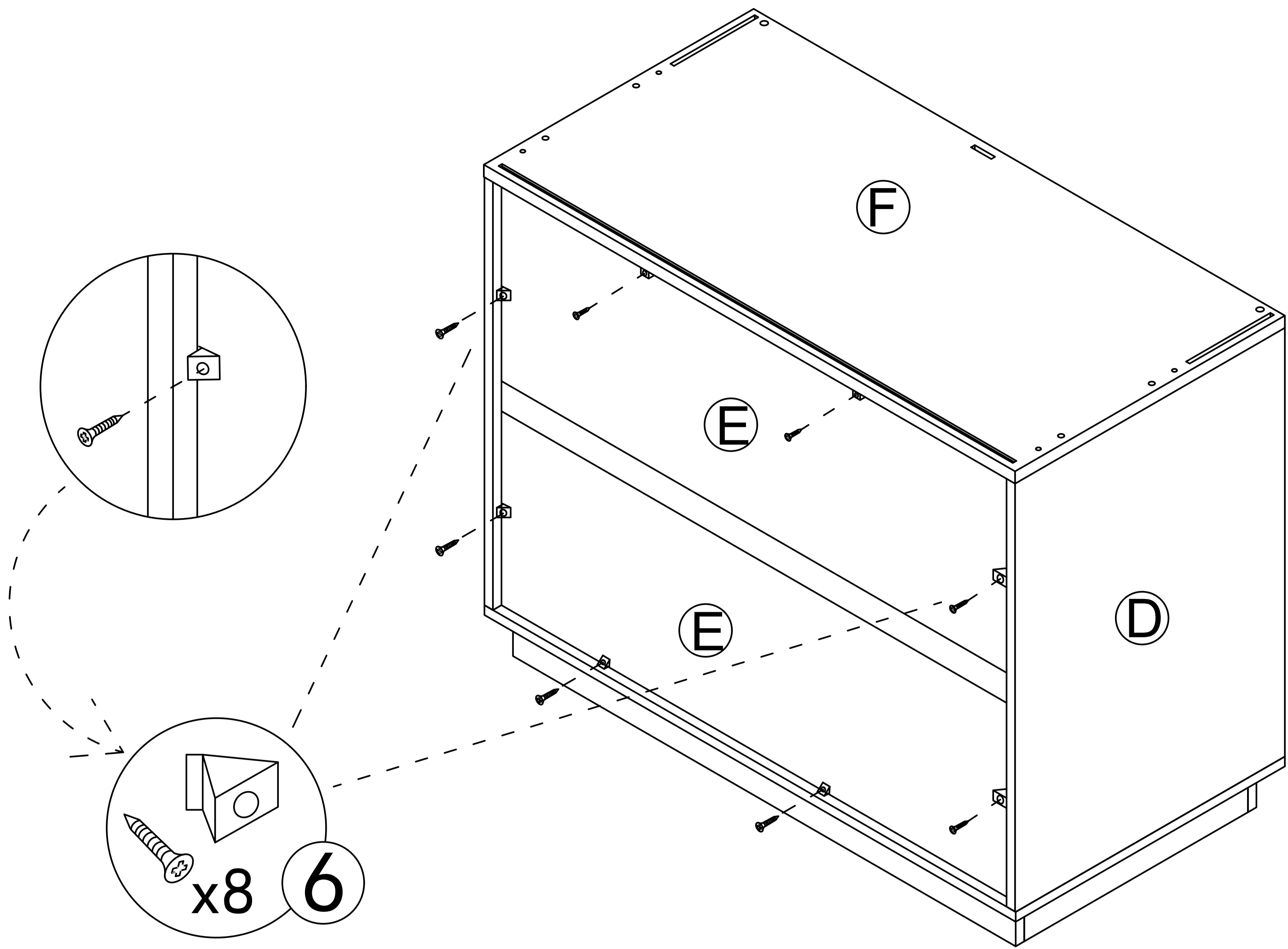
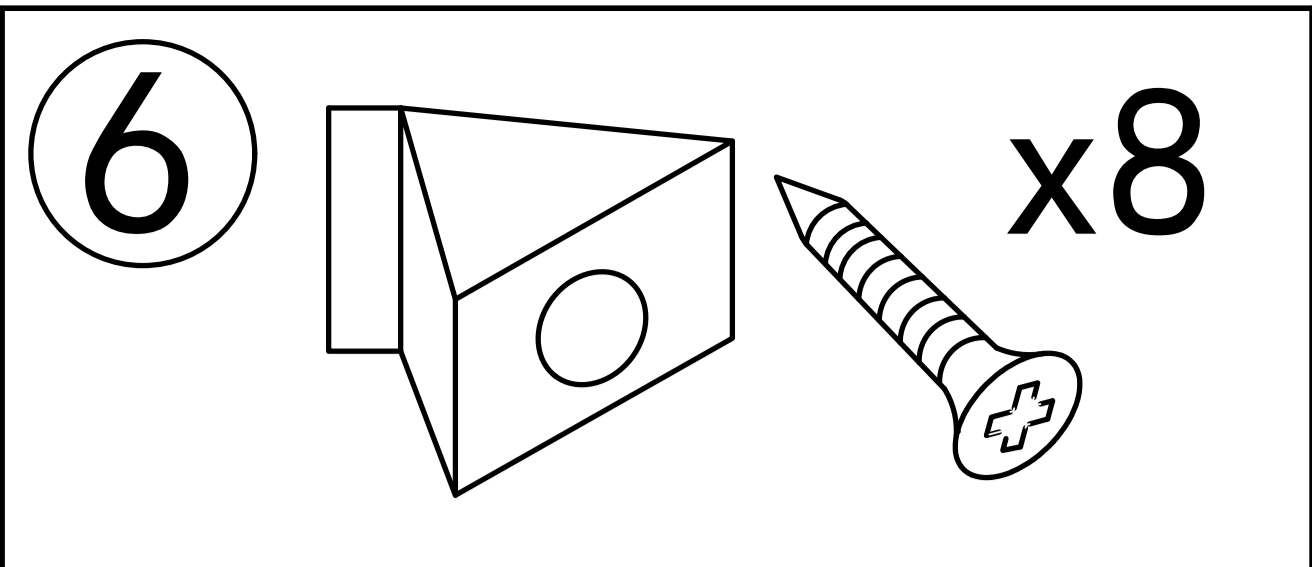
14  x1  x2

Step 11

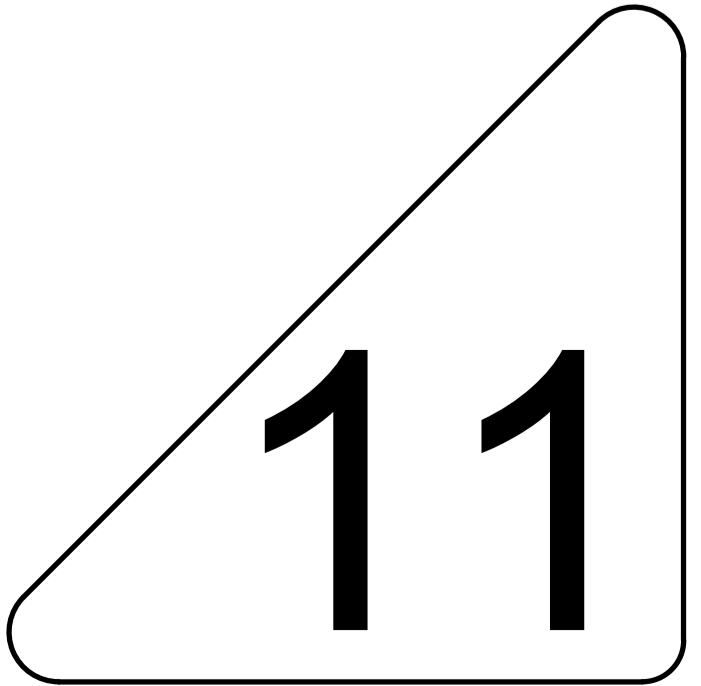
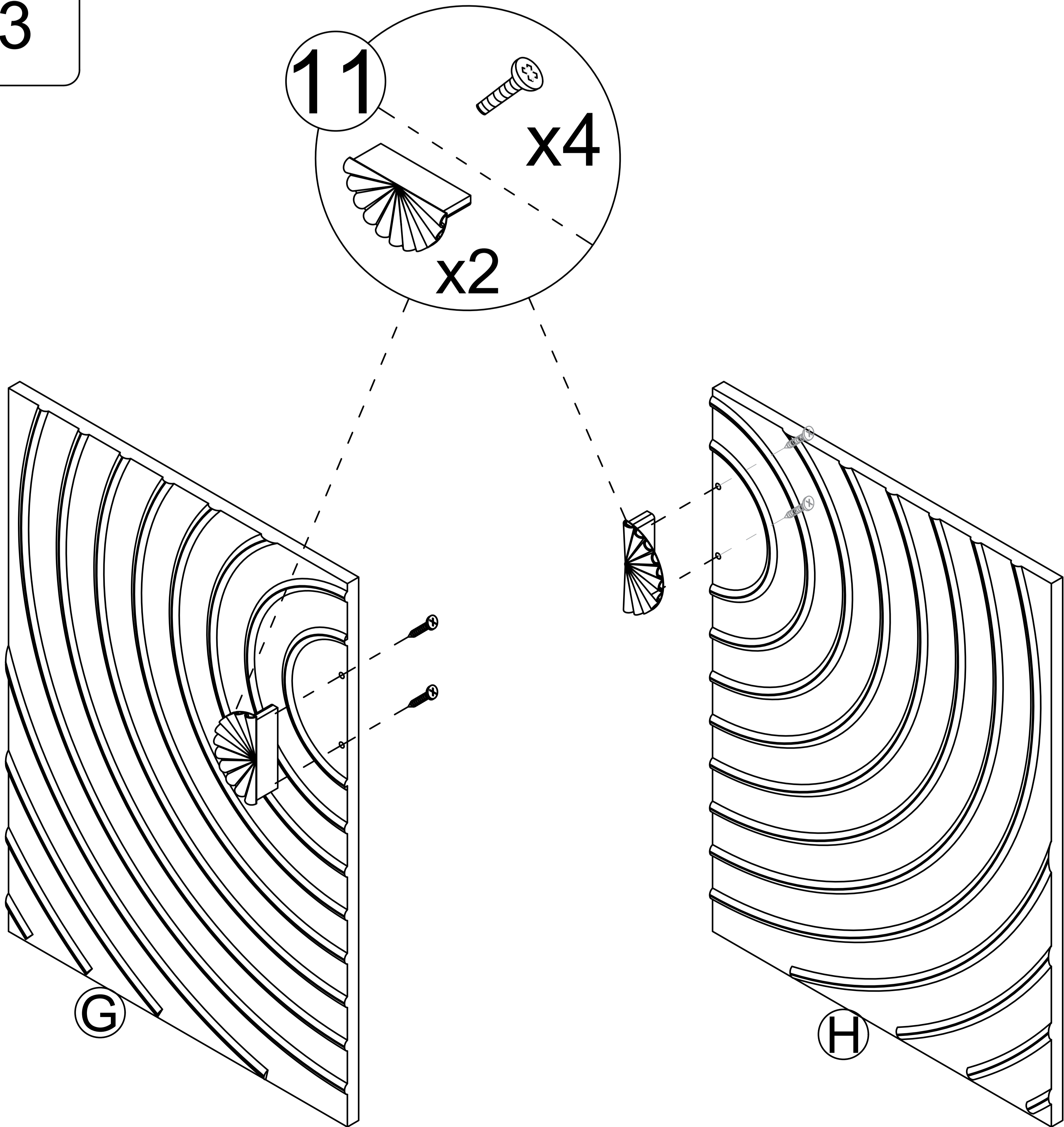
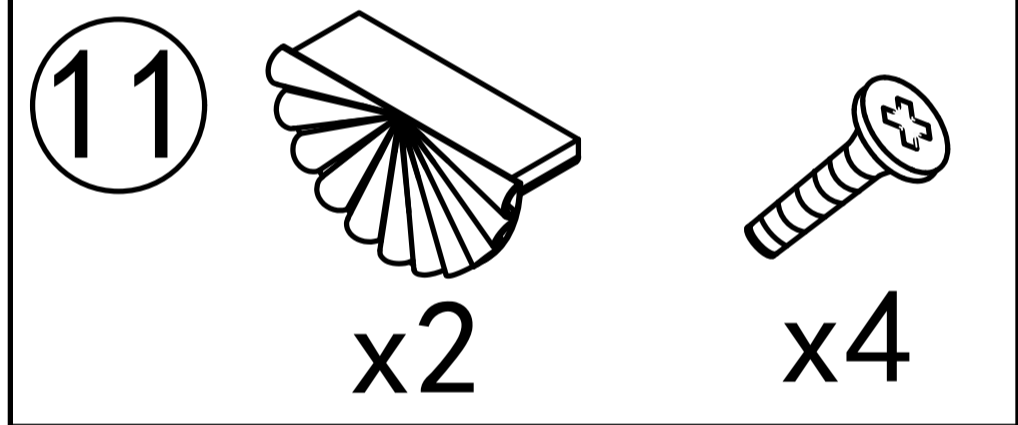


2  x4

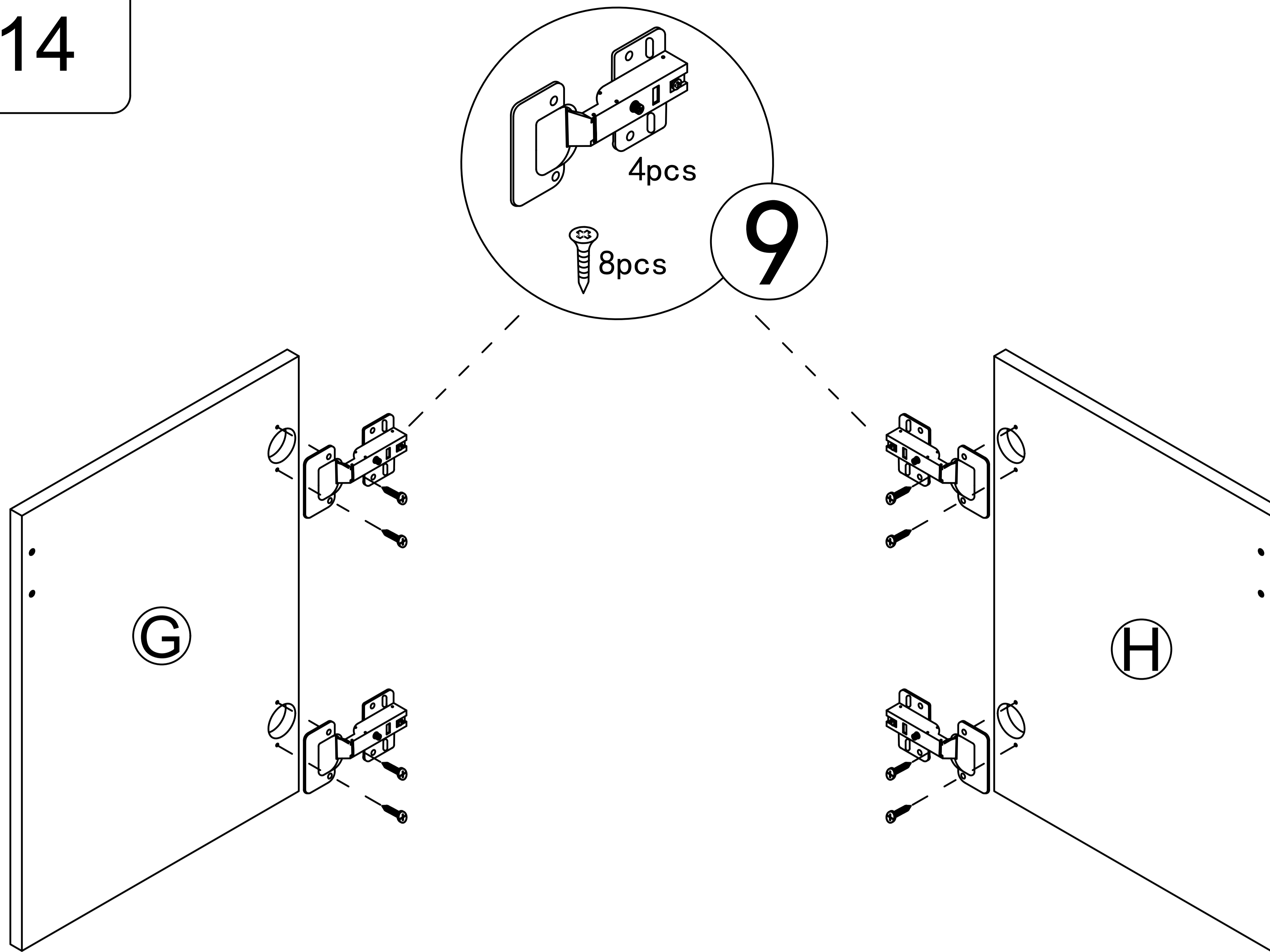
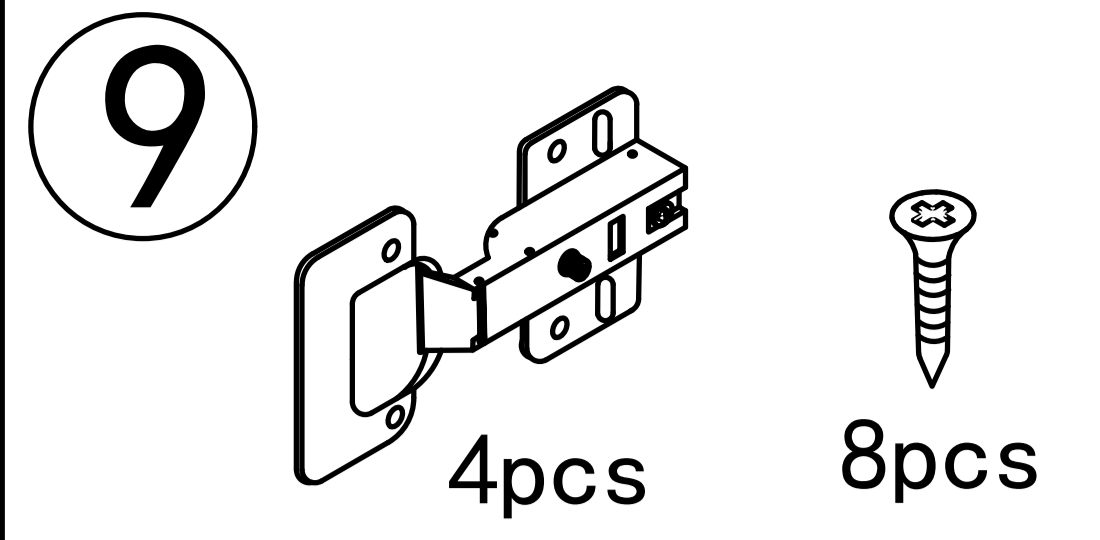
Step 12



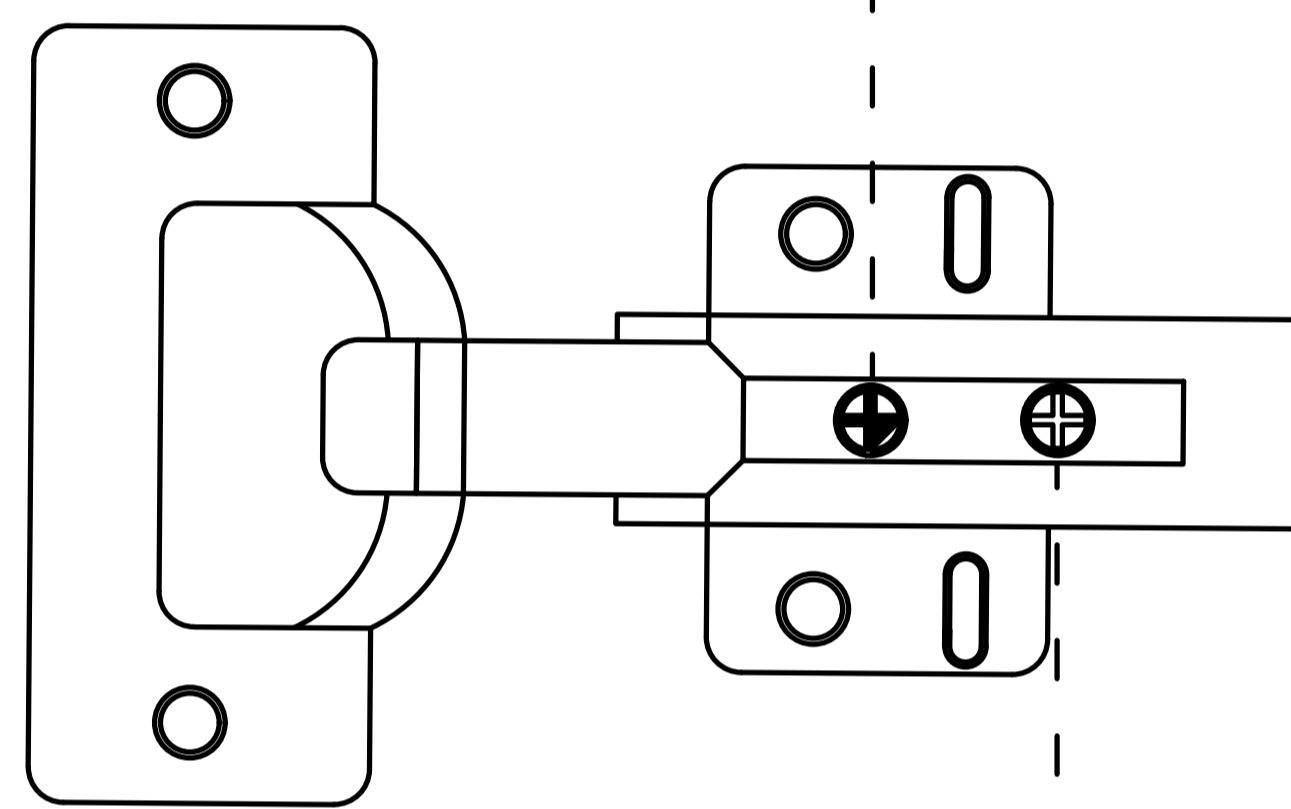
Step 13



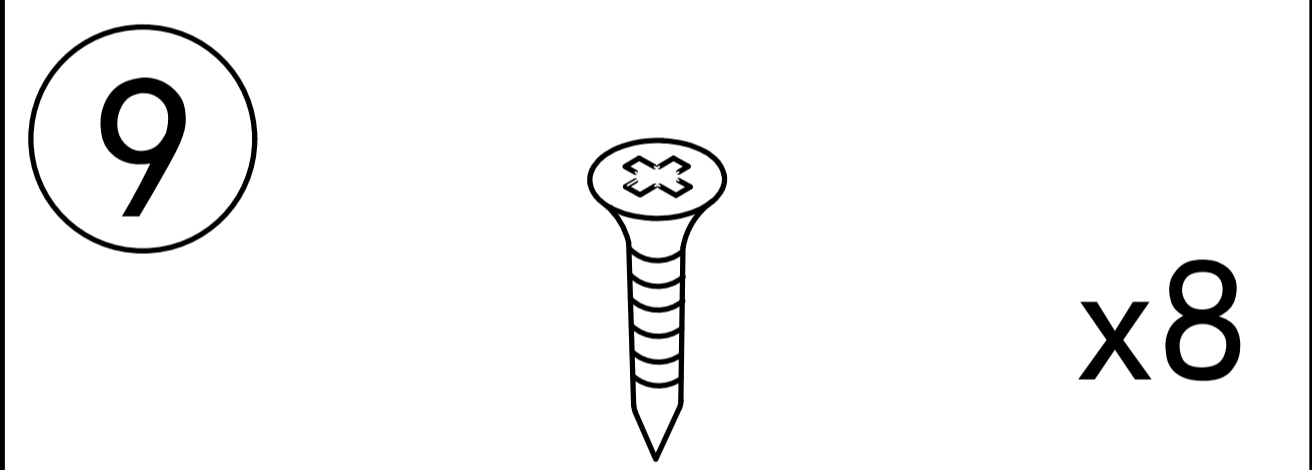
Step 14



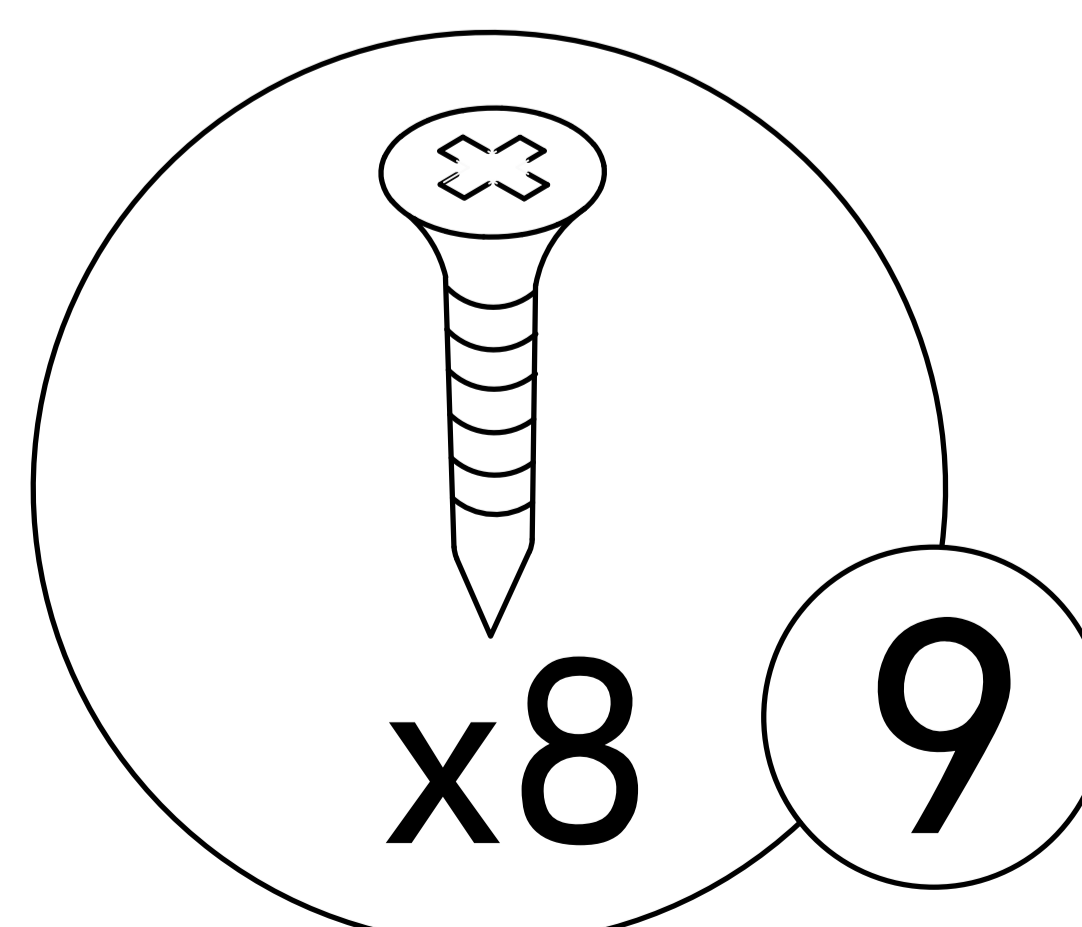
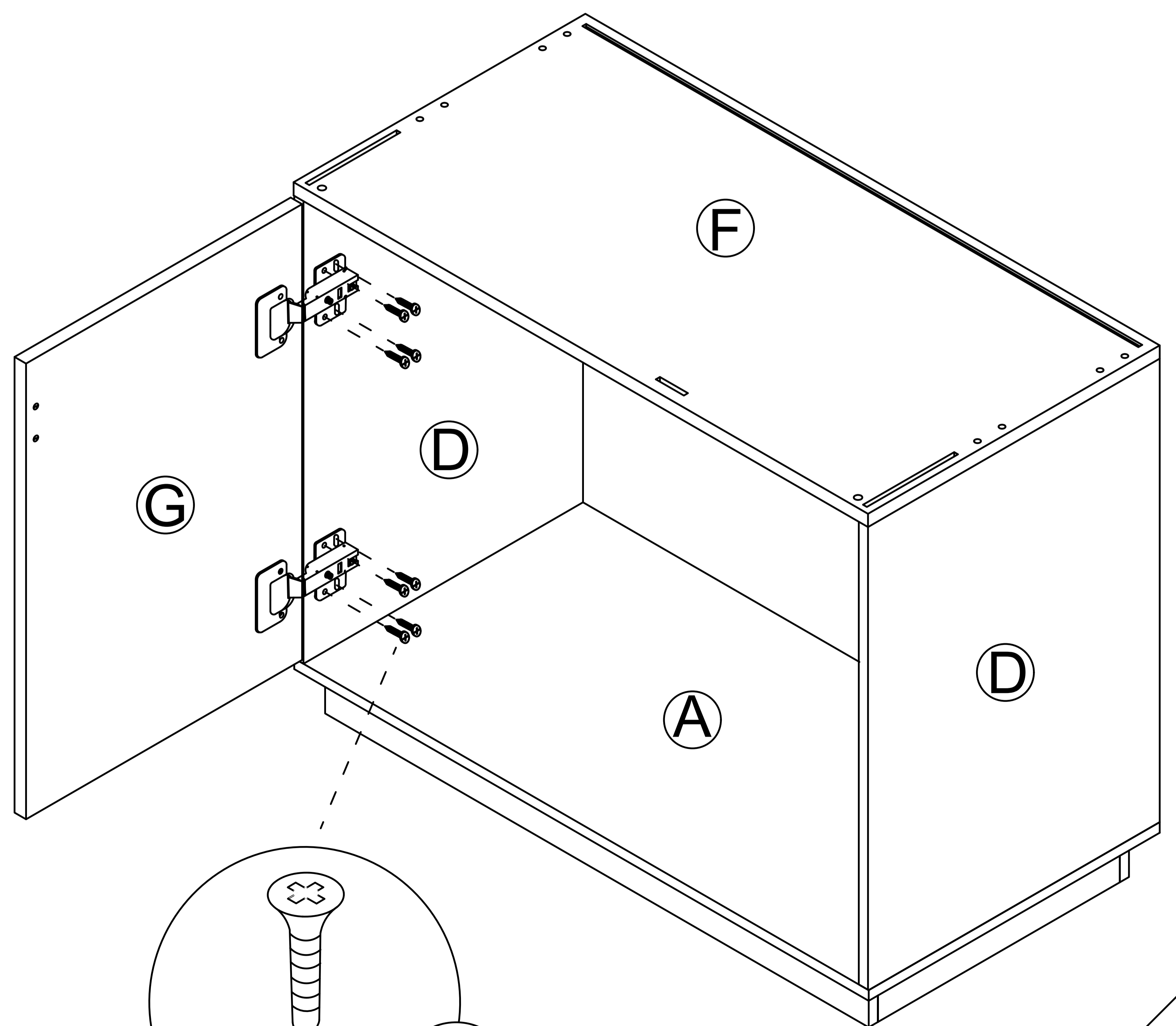
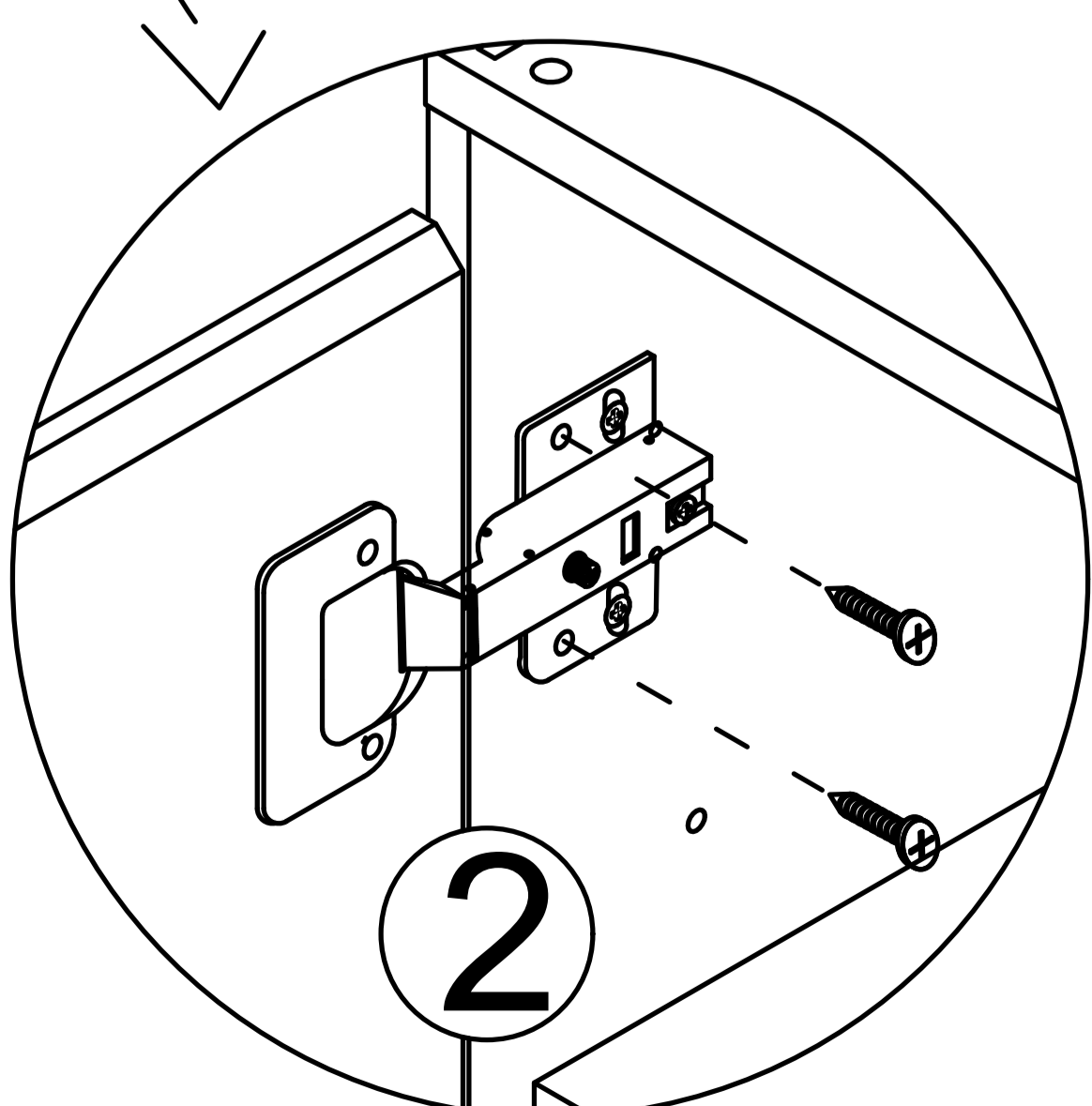
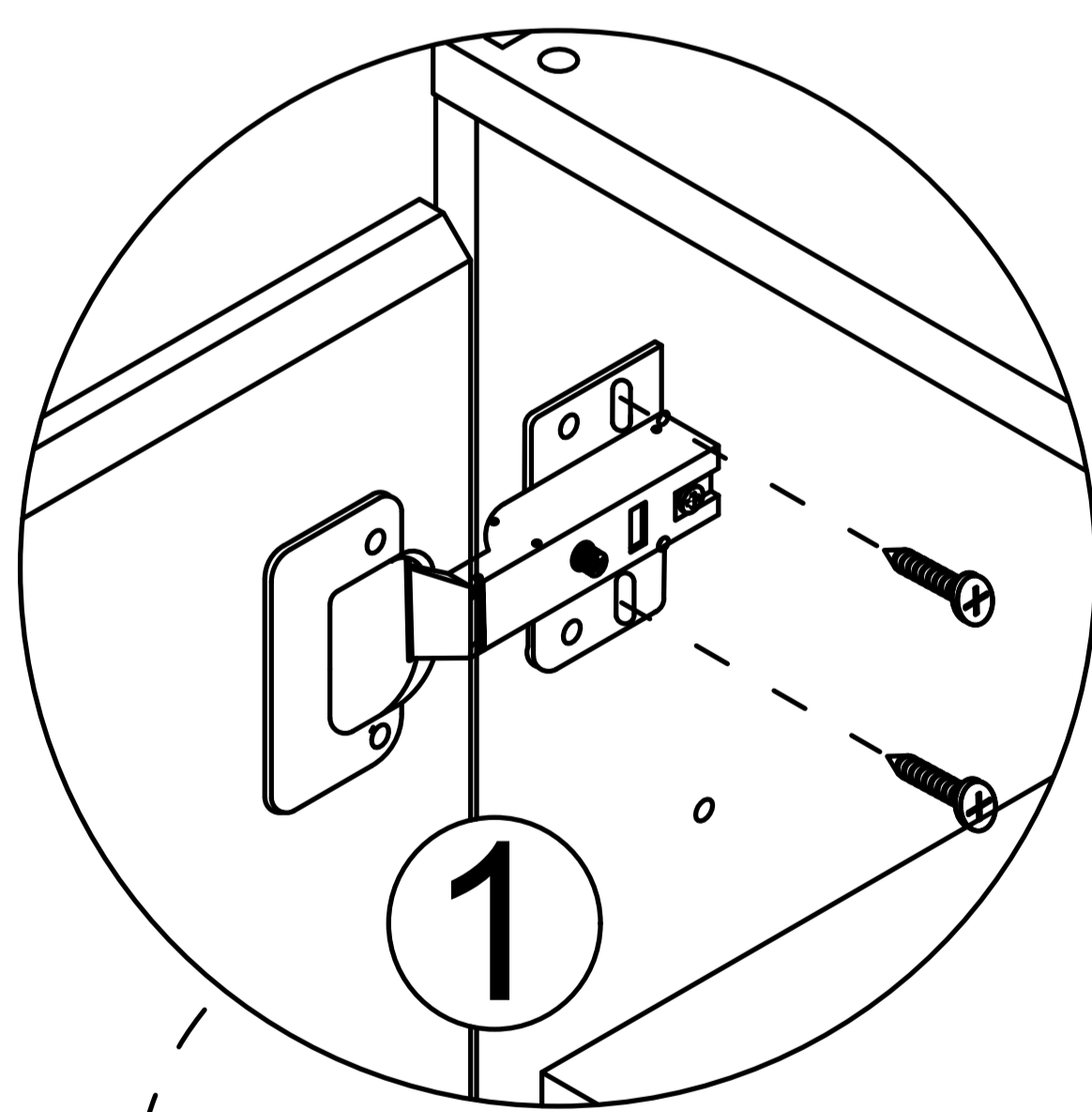
Turning this screw can effectively adjust the size of the door gap.



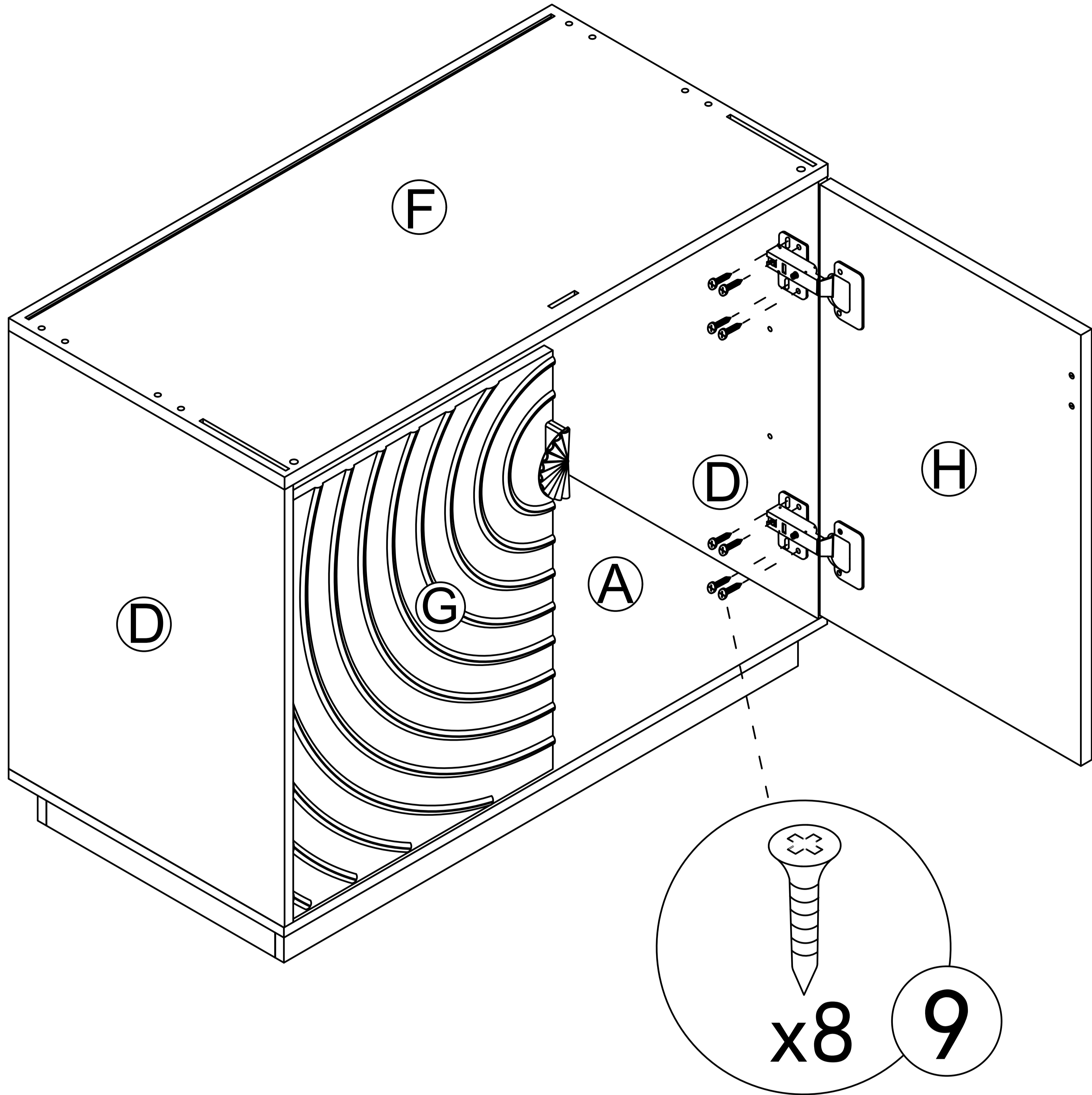
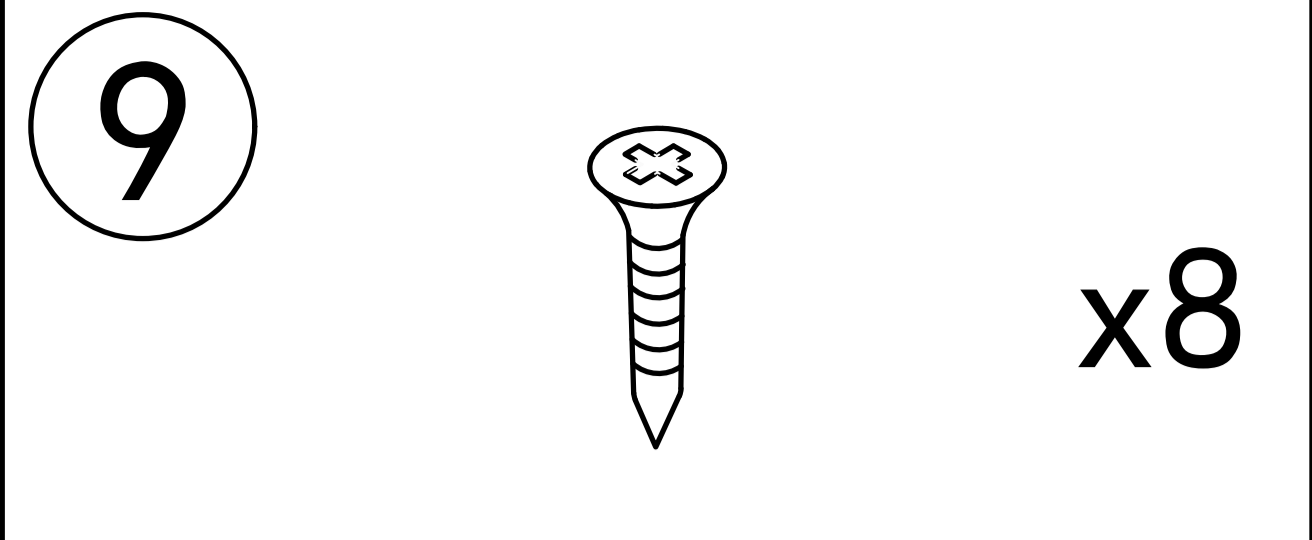
Step 15



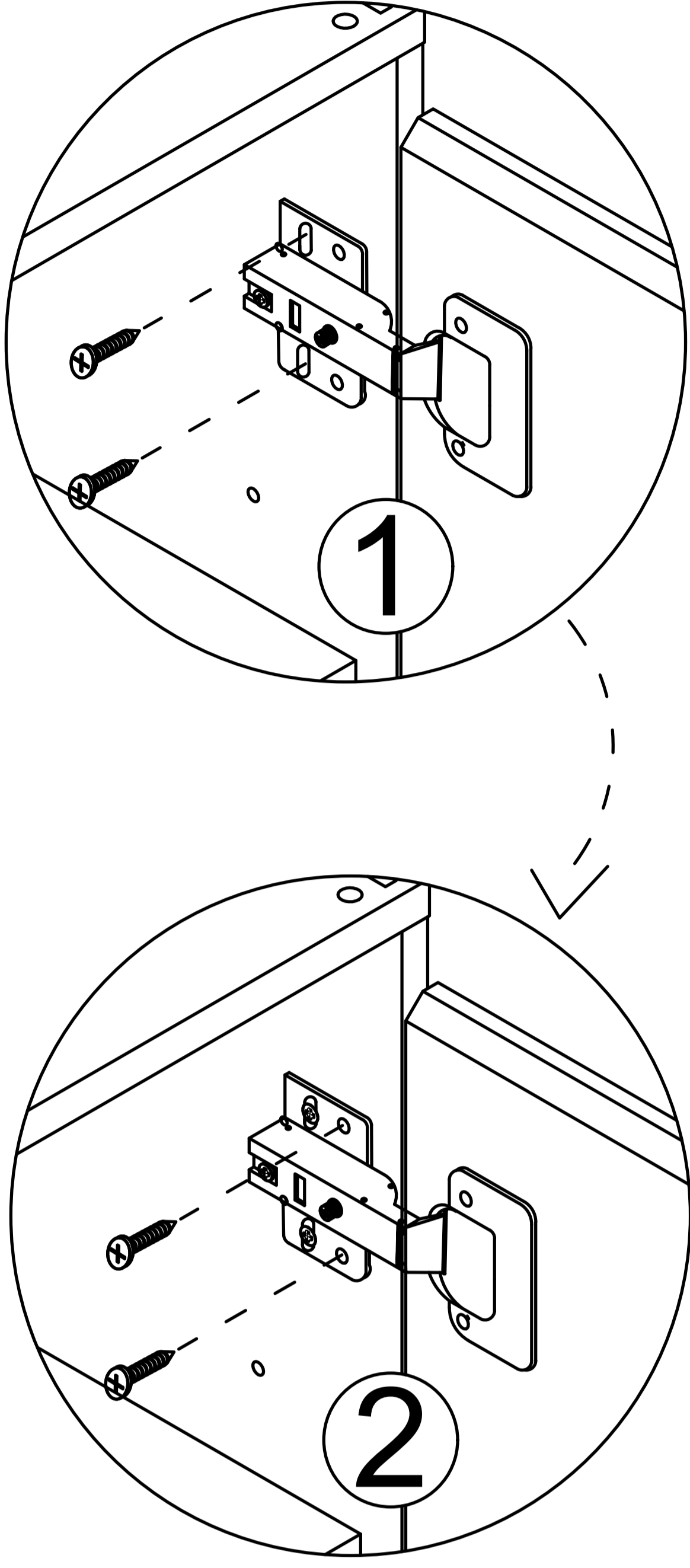
First lock the elliptical hole then lock the fixed hole



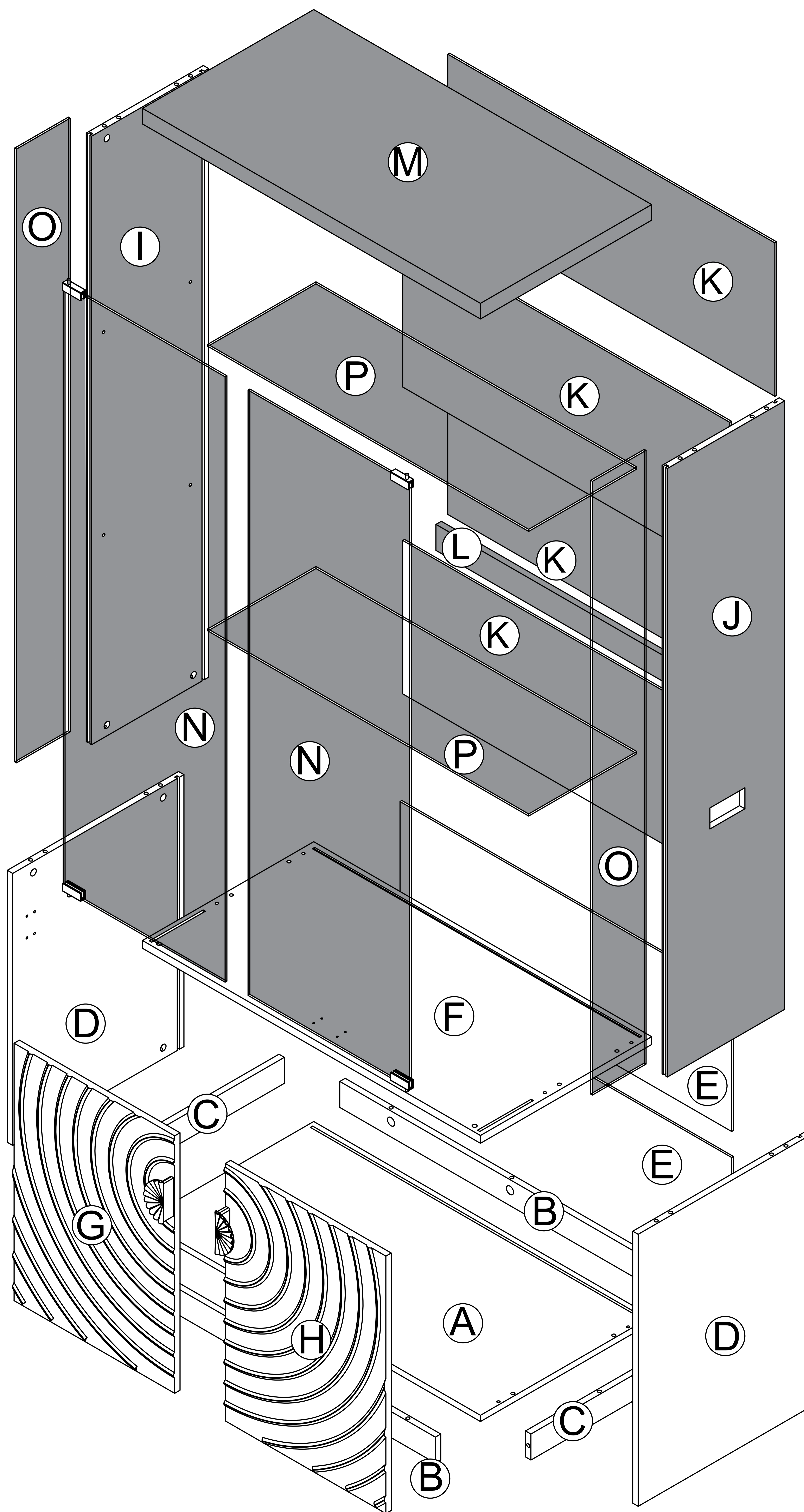
Step 16



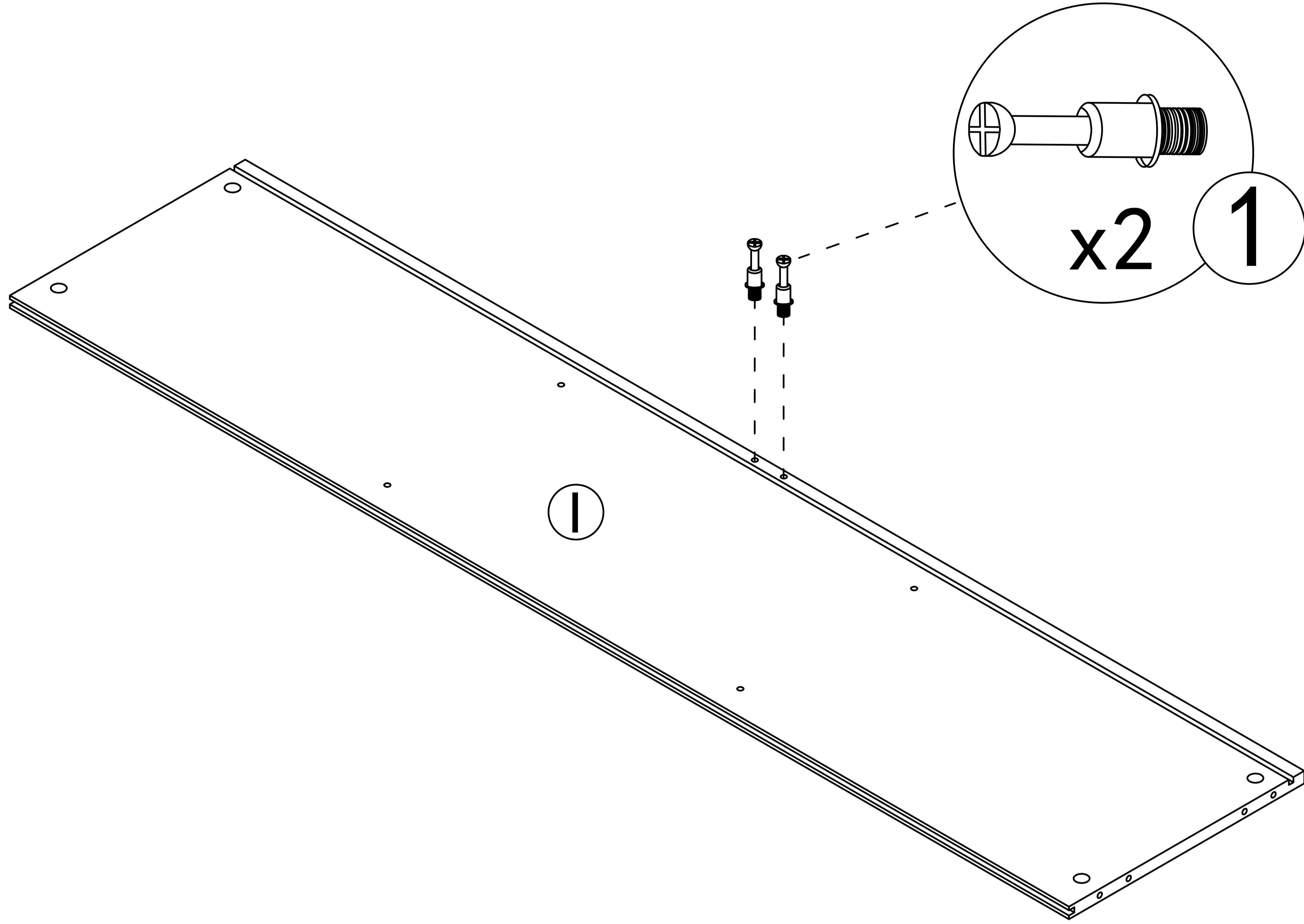
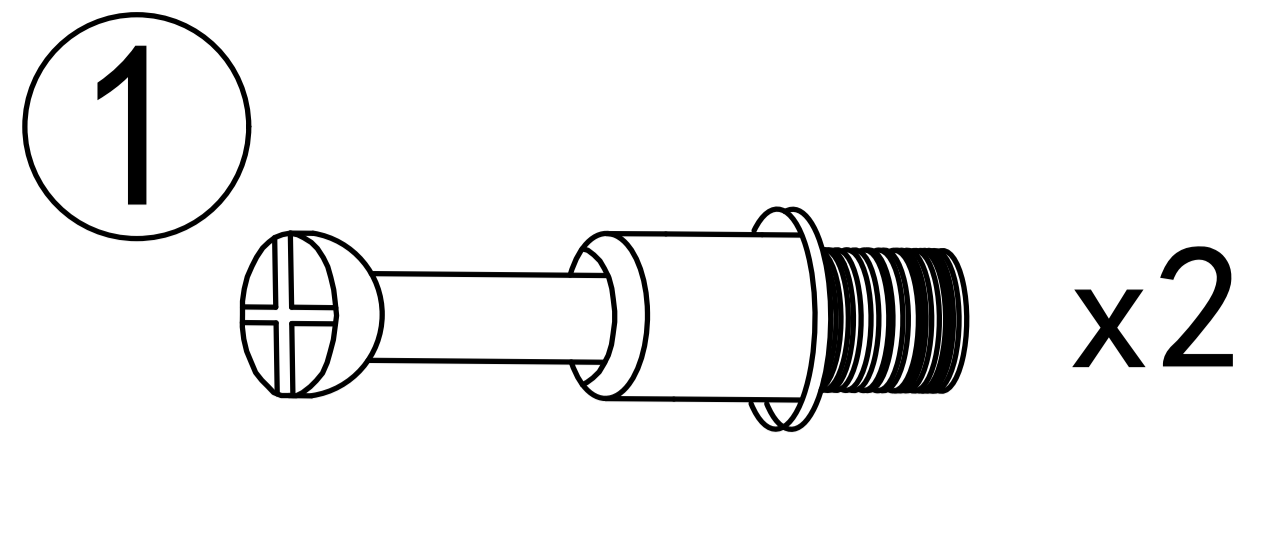
First lock the elliptical hole then lock the fixed hole



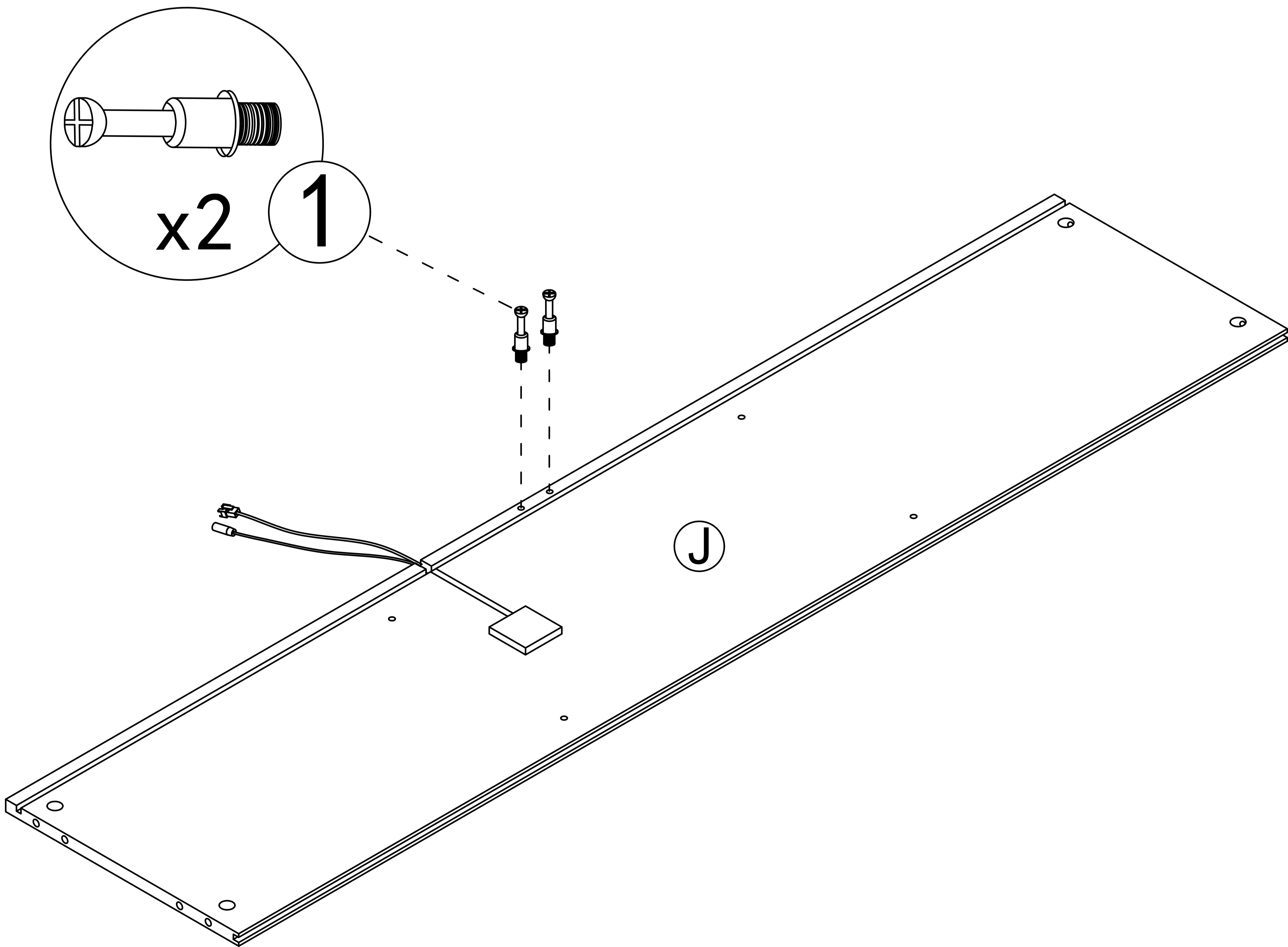
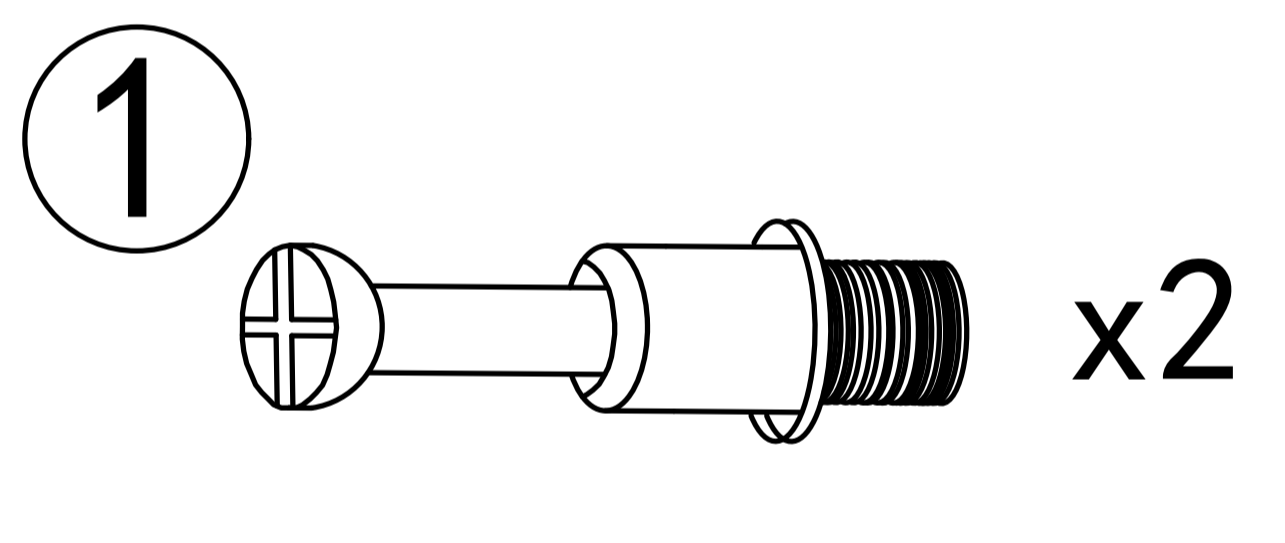
Product structure decomposition



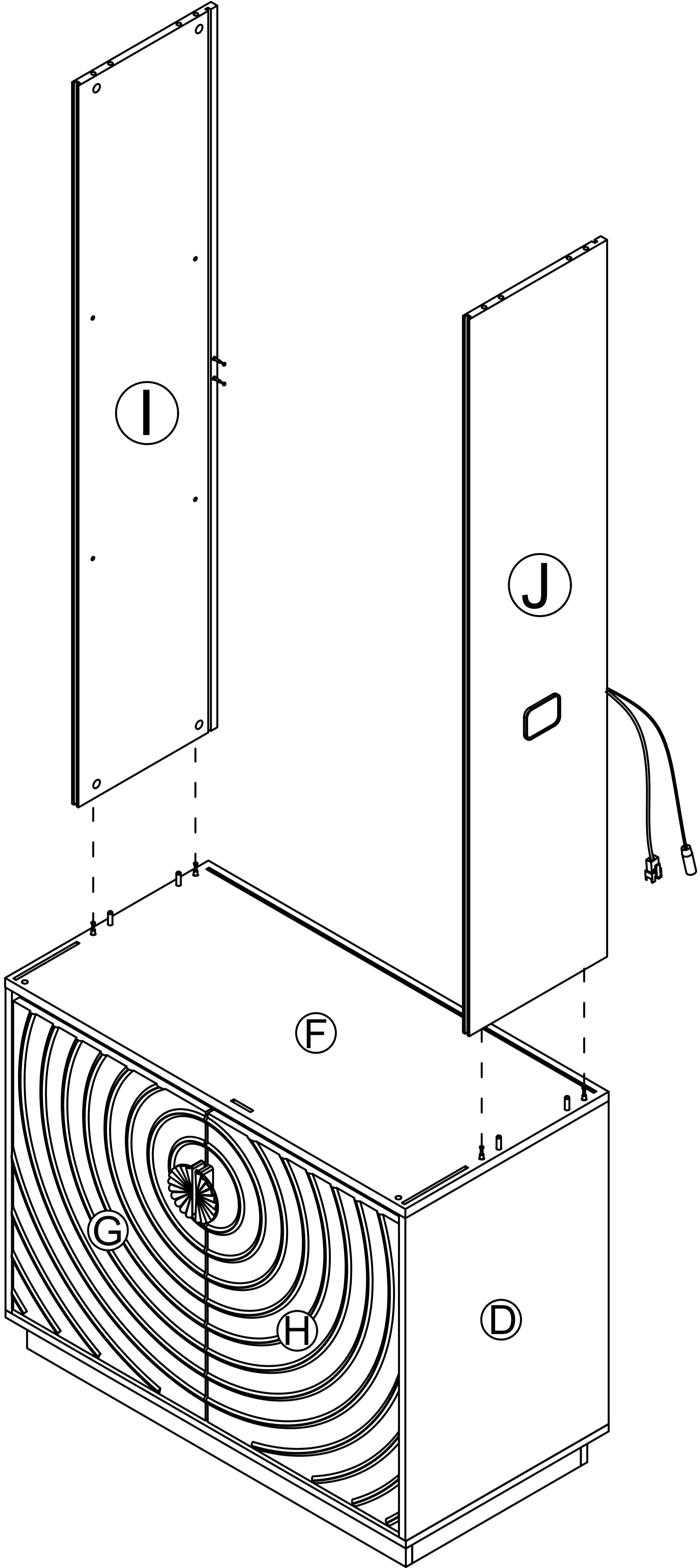
Step 18



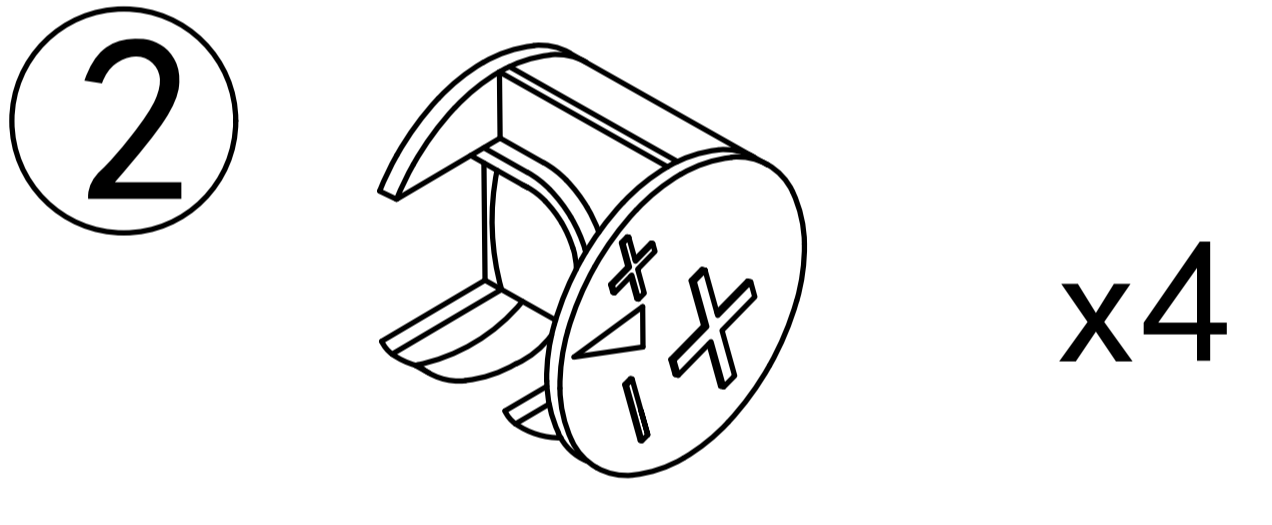
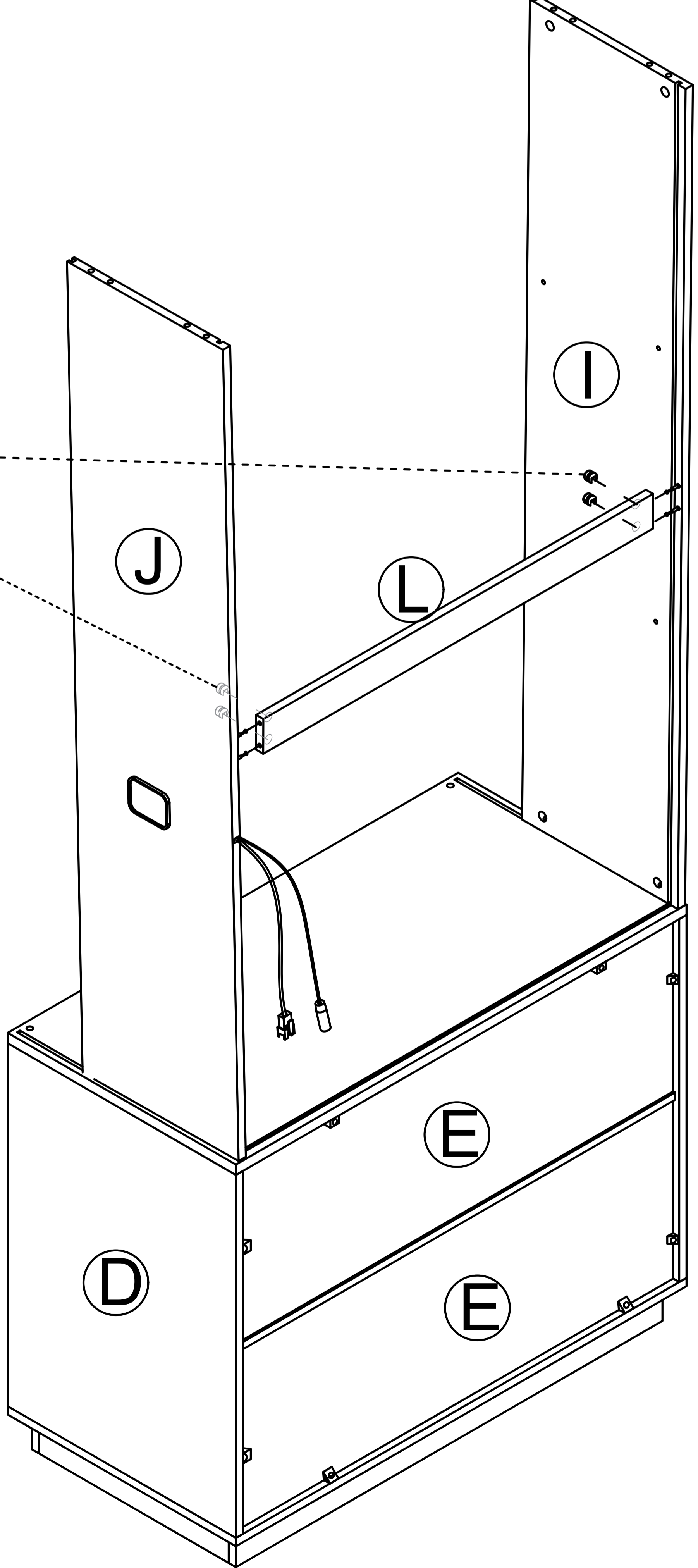
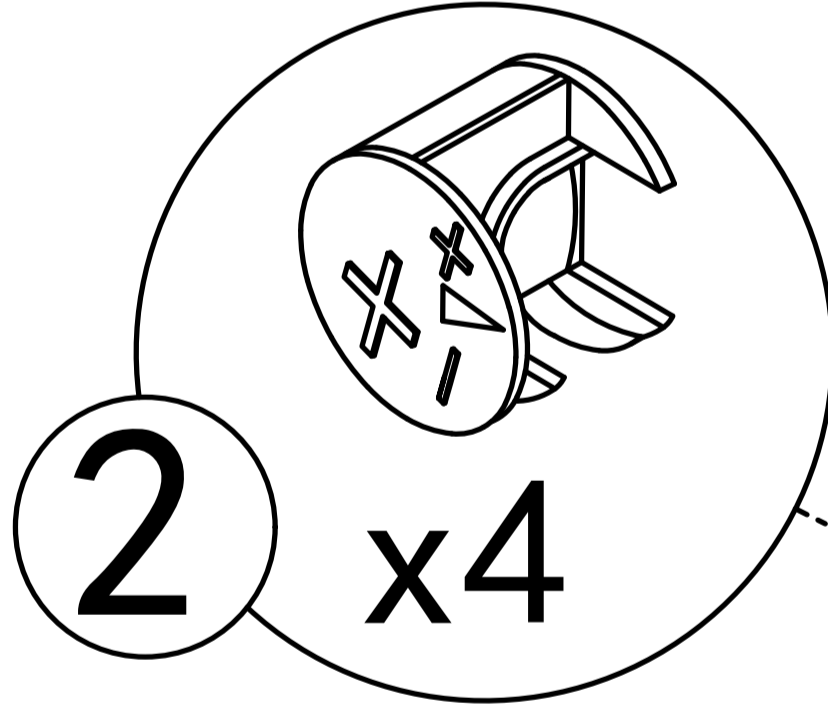
Step 19



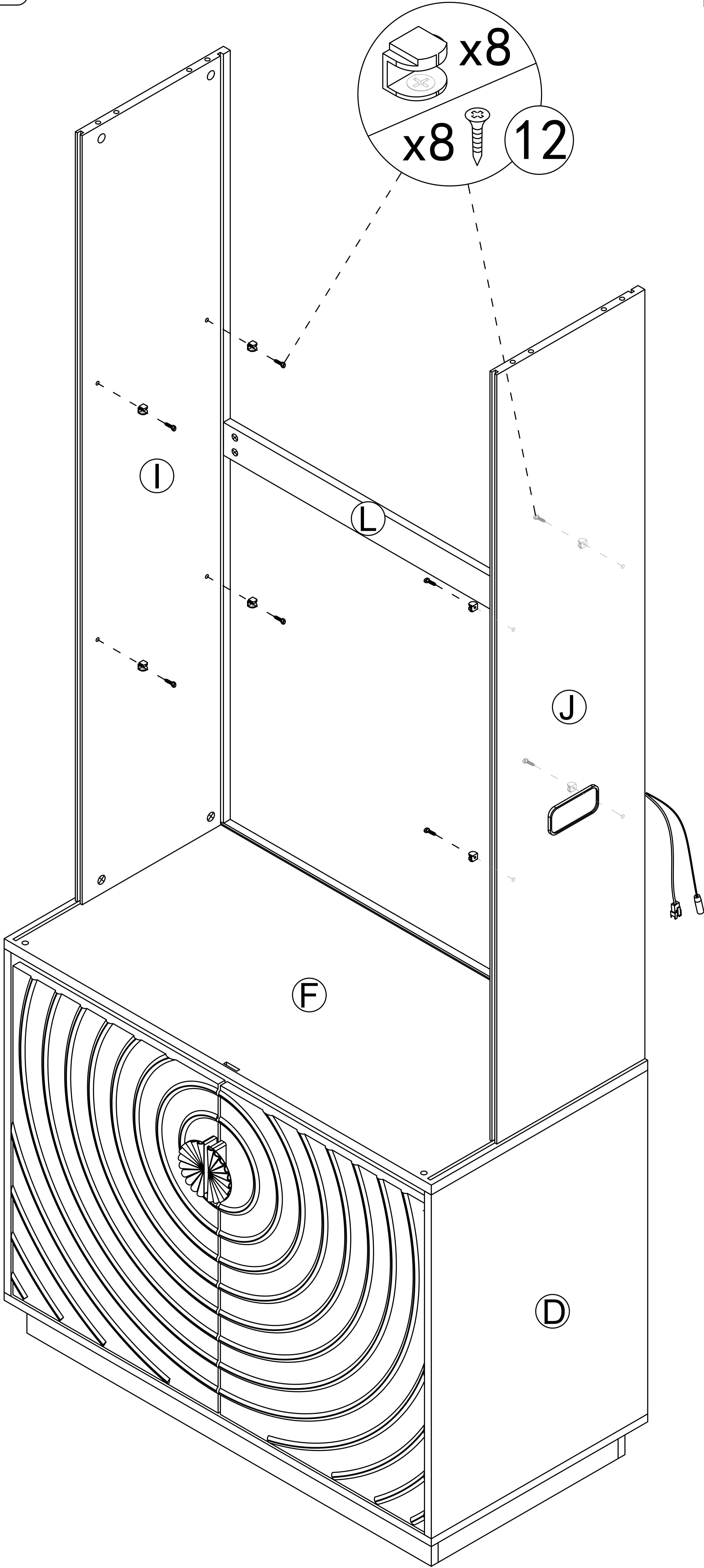
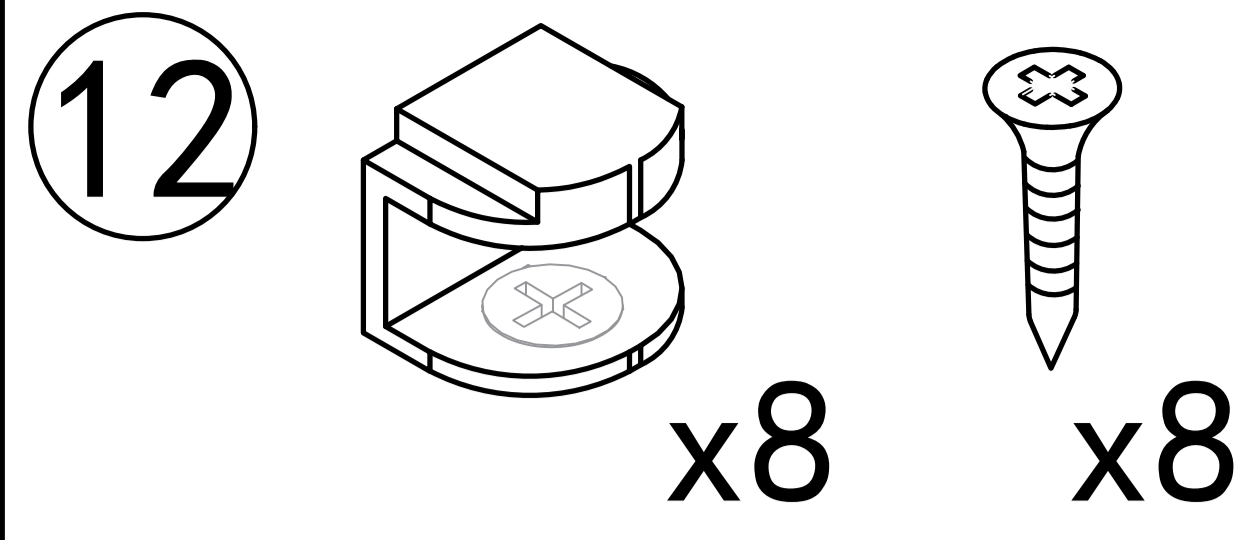
Step 20



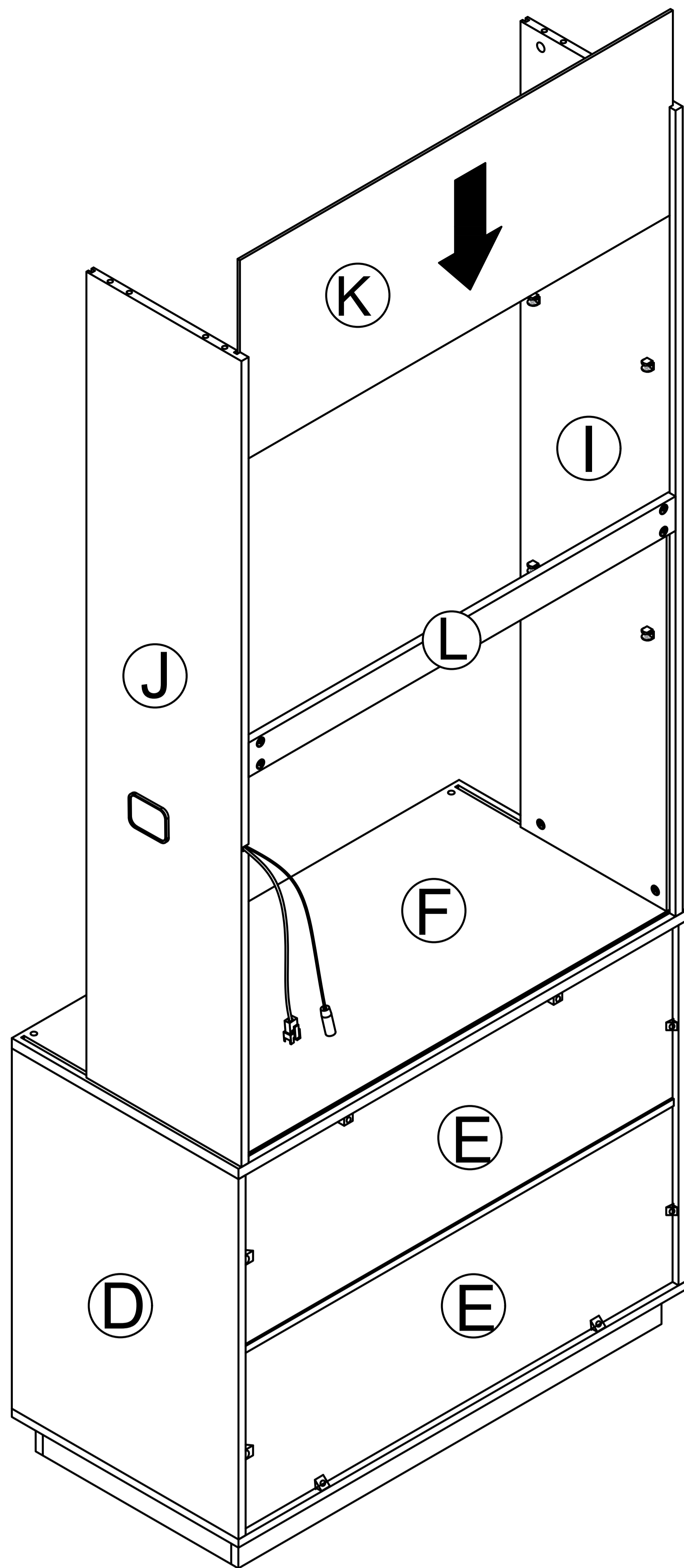
Step 21



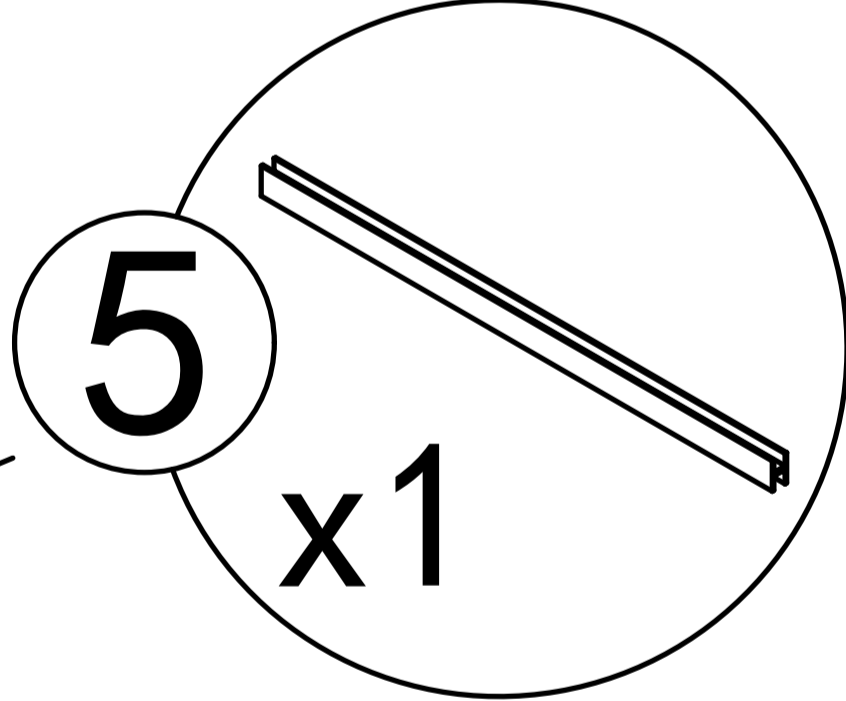
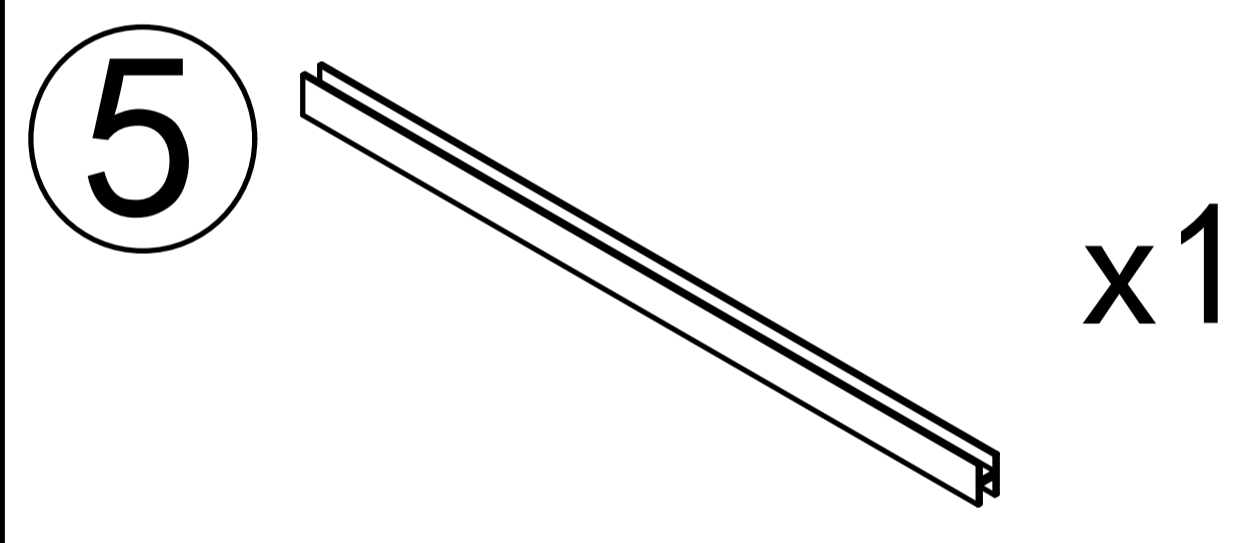
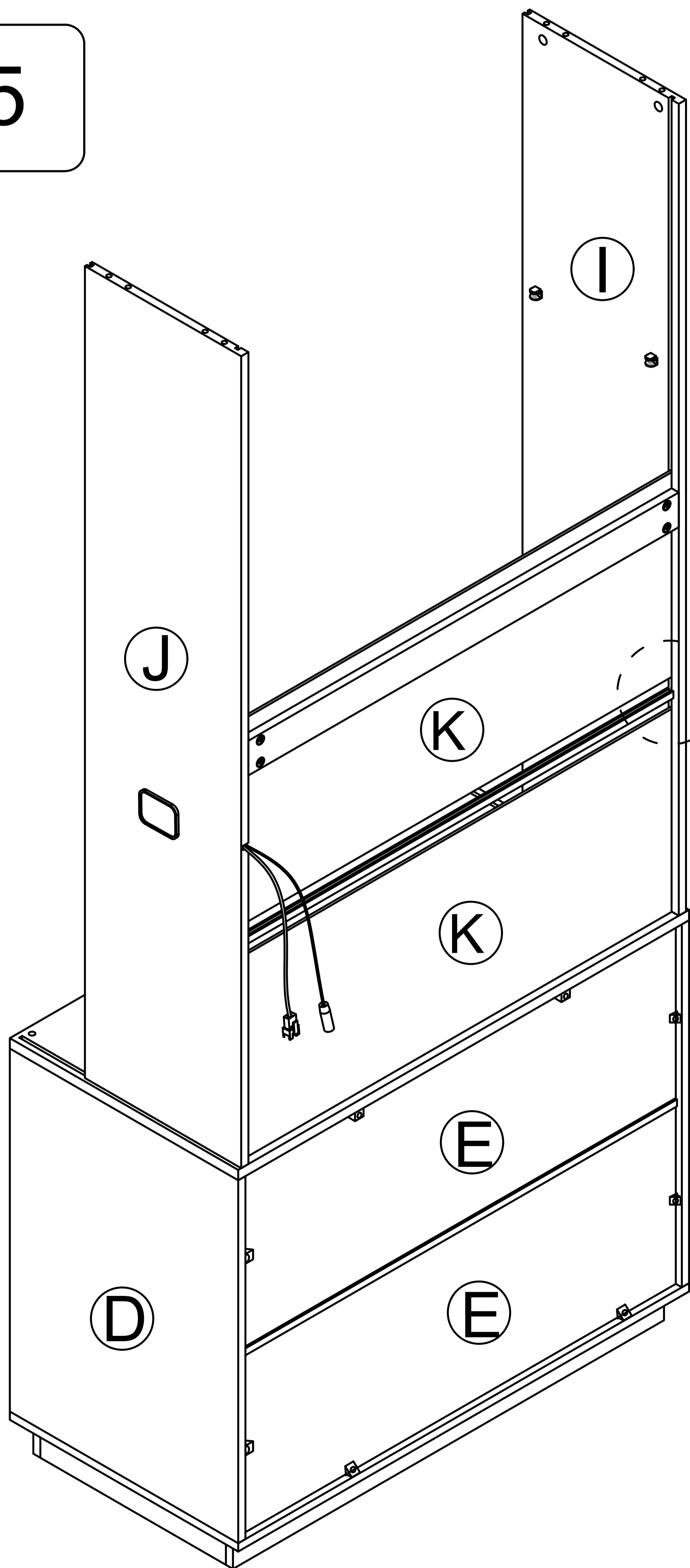
Step 23



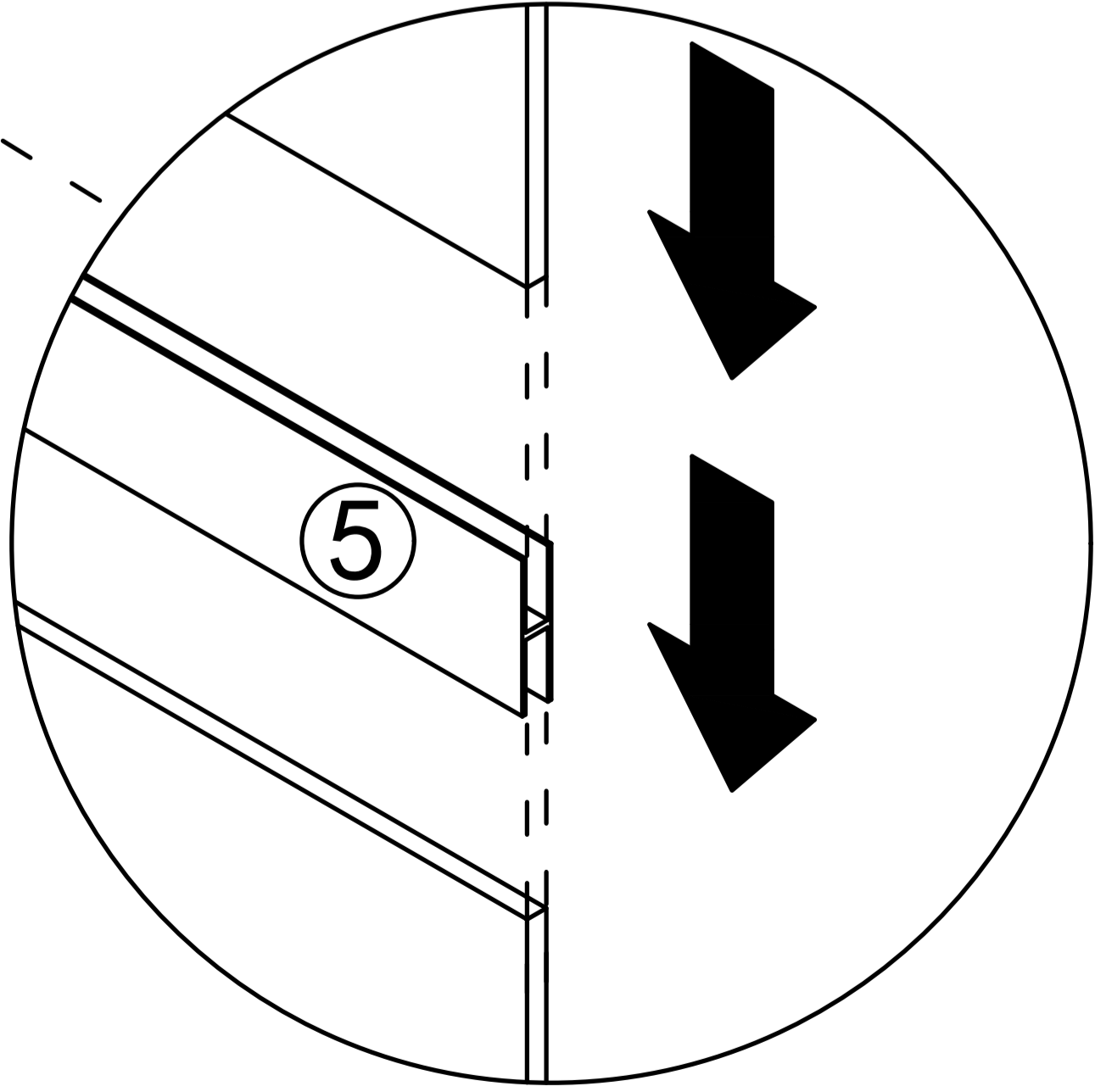
Step 24



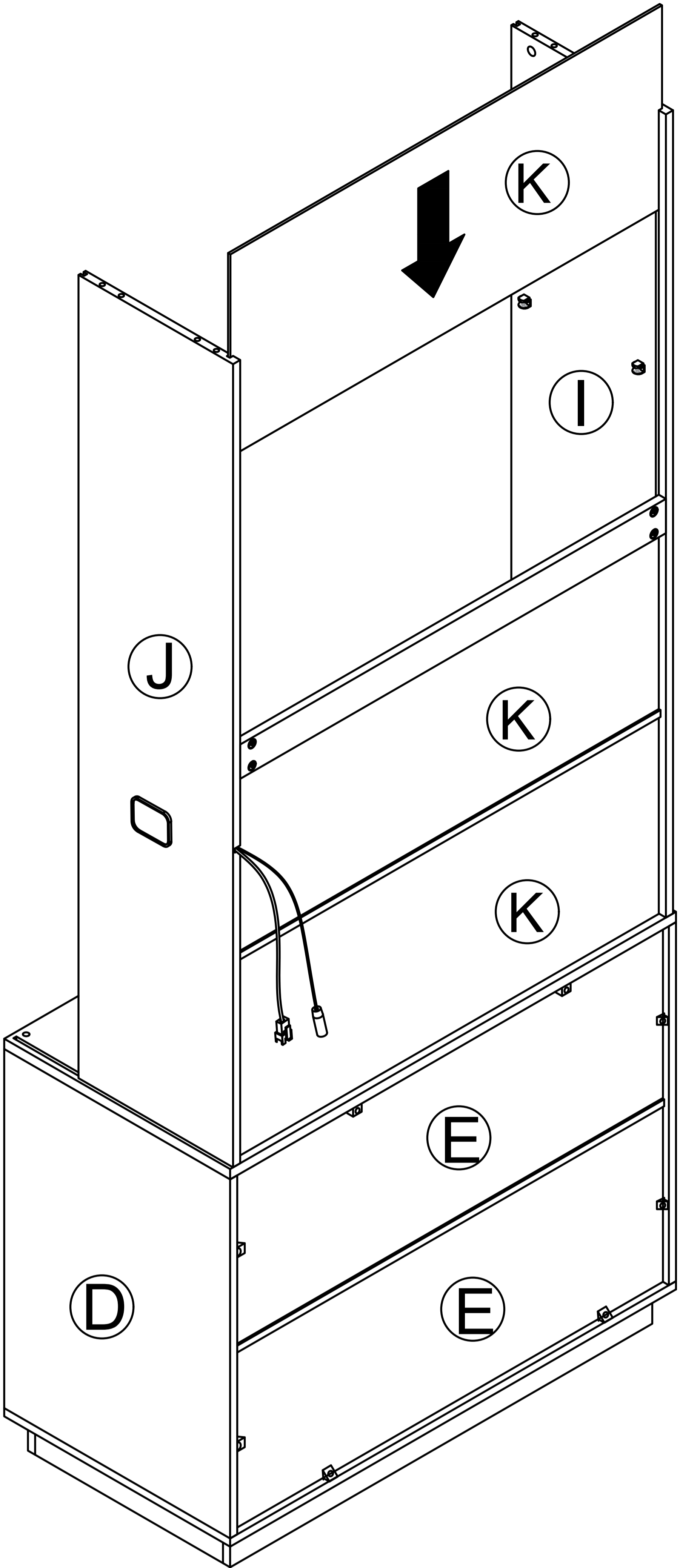
Step 25



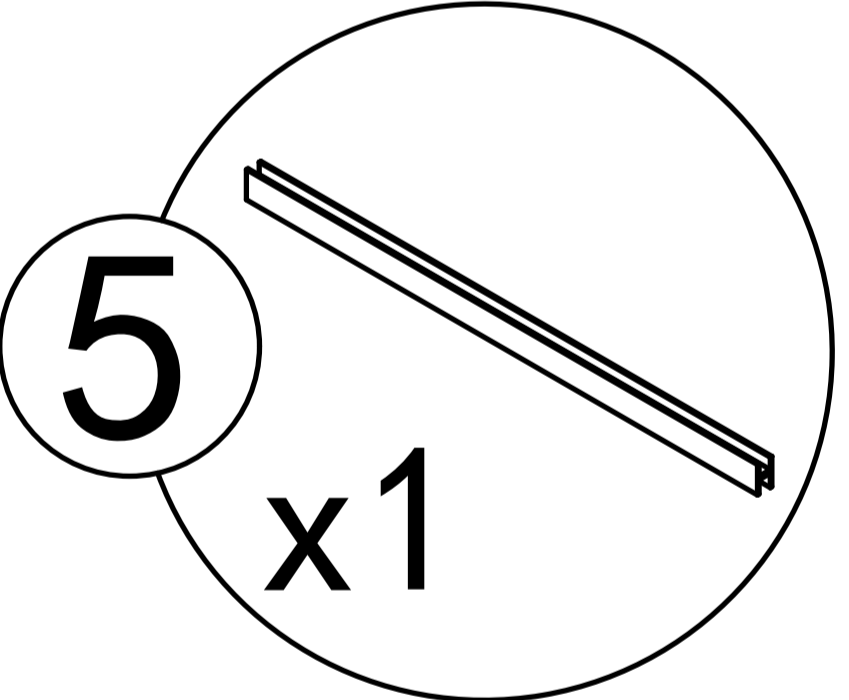
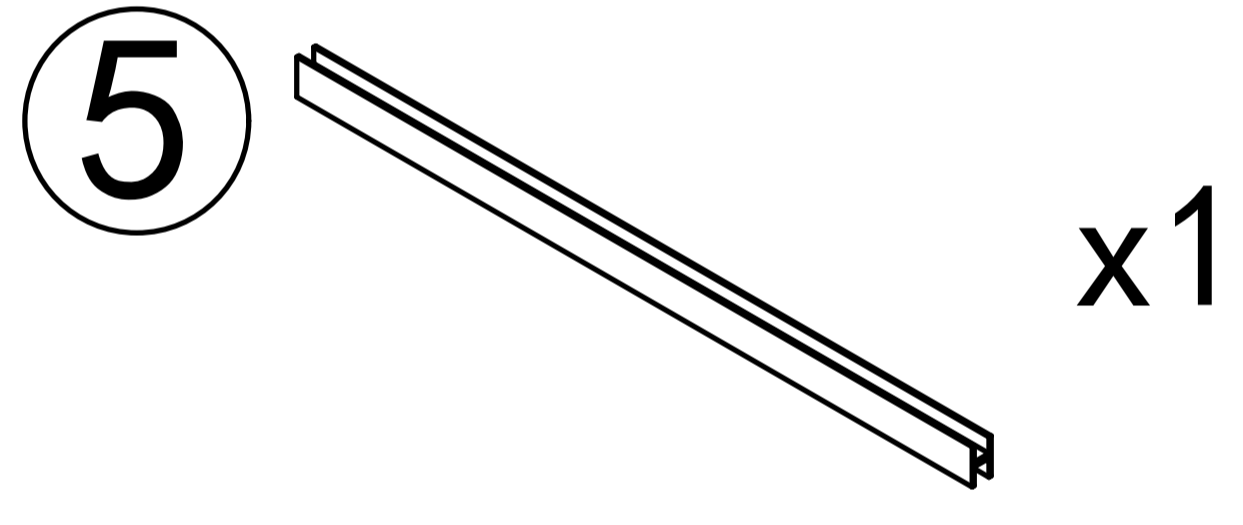
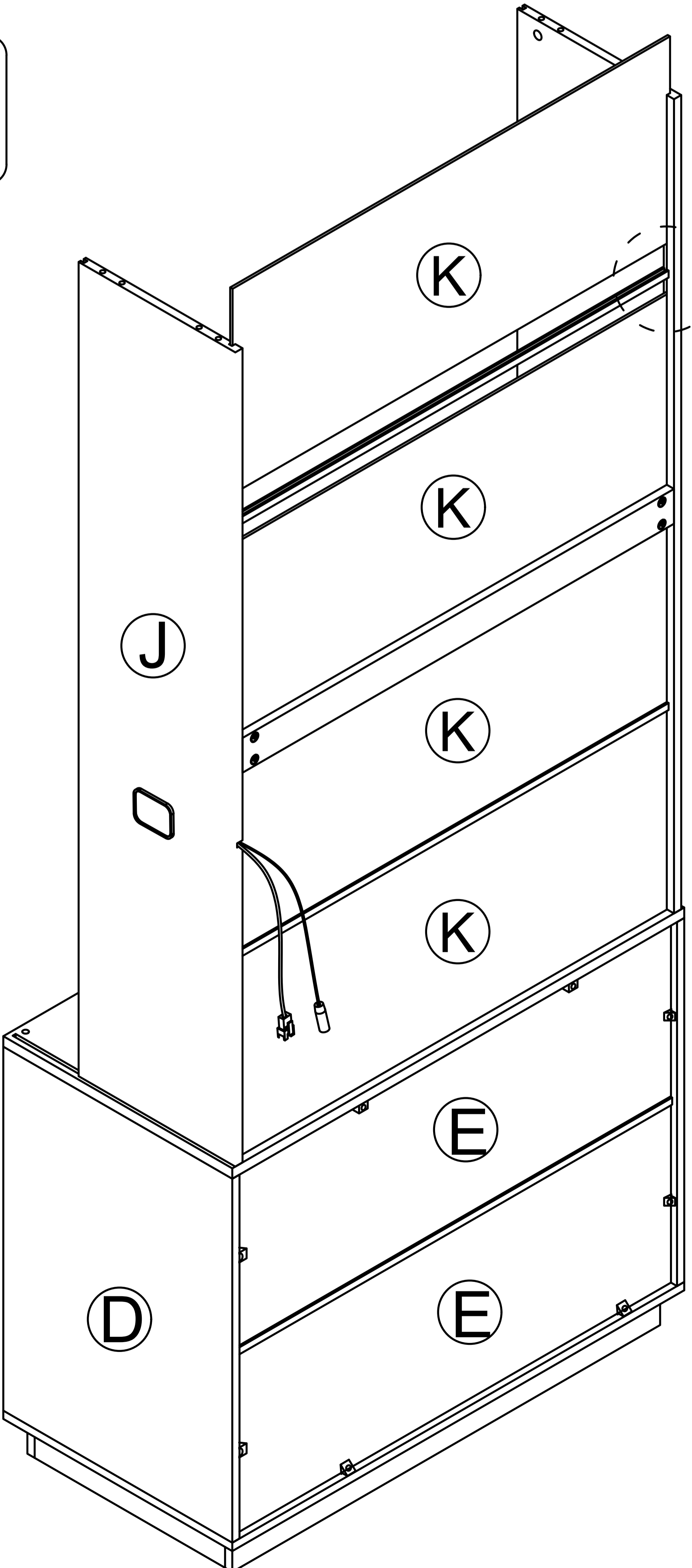
Place both the upper and lower backboards into the slot



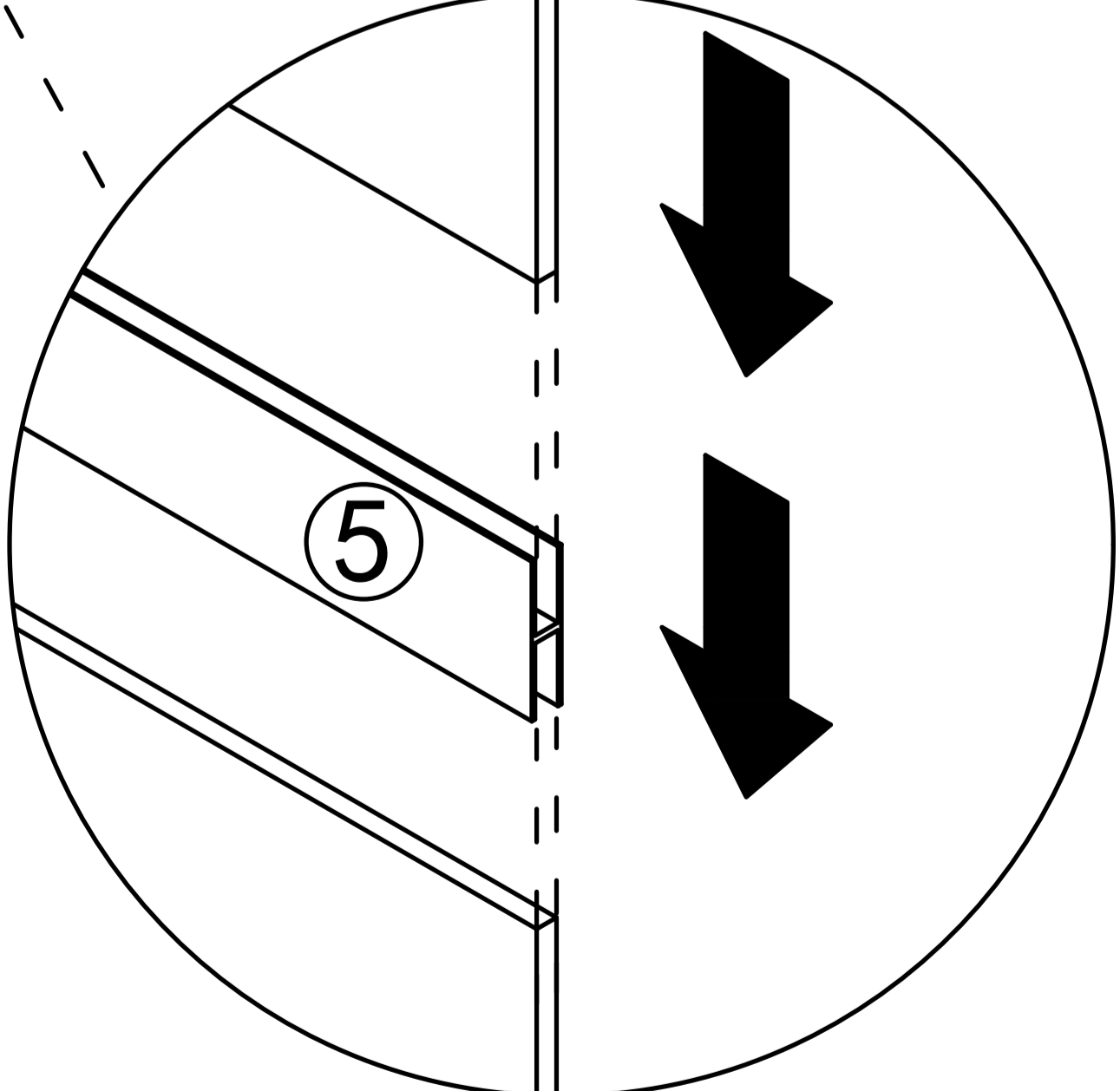
Step 26



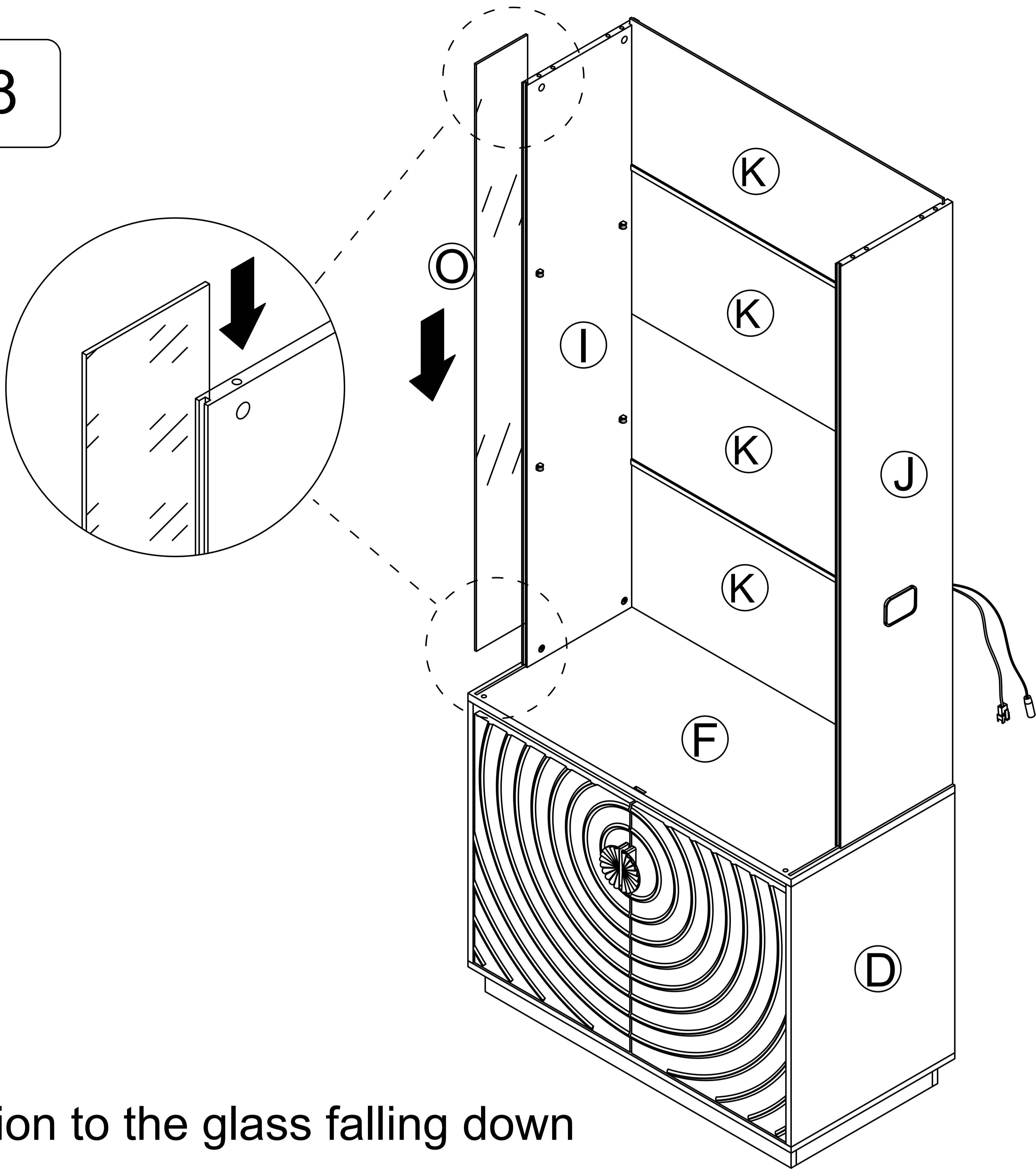
Step 27



Place both the upper and lower backboards into the slot

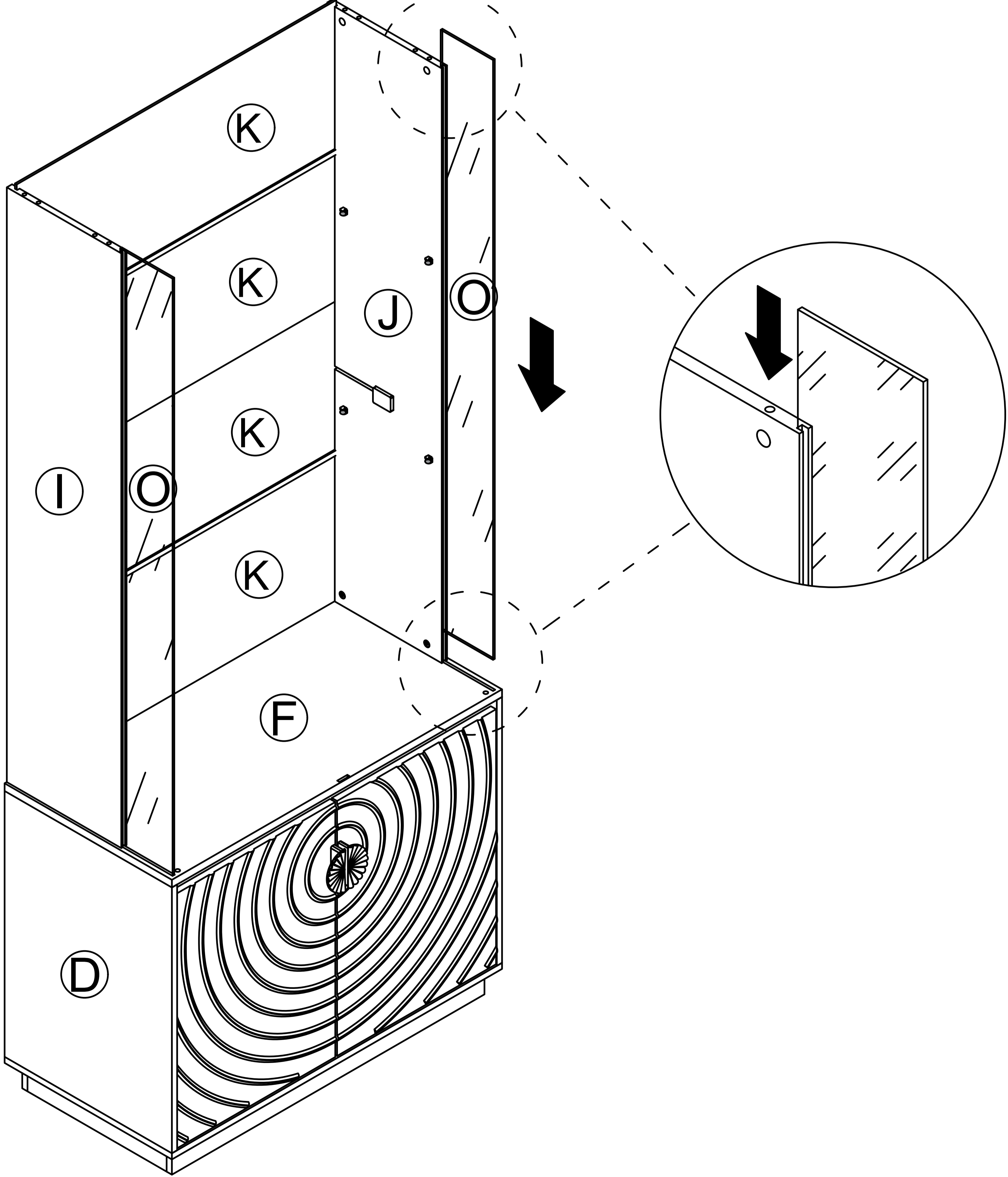


Step 28



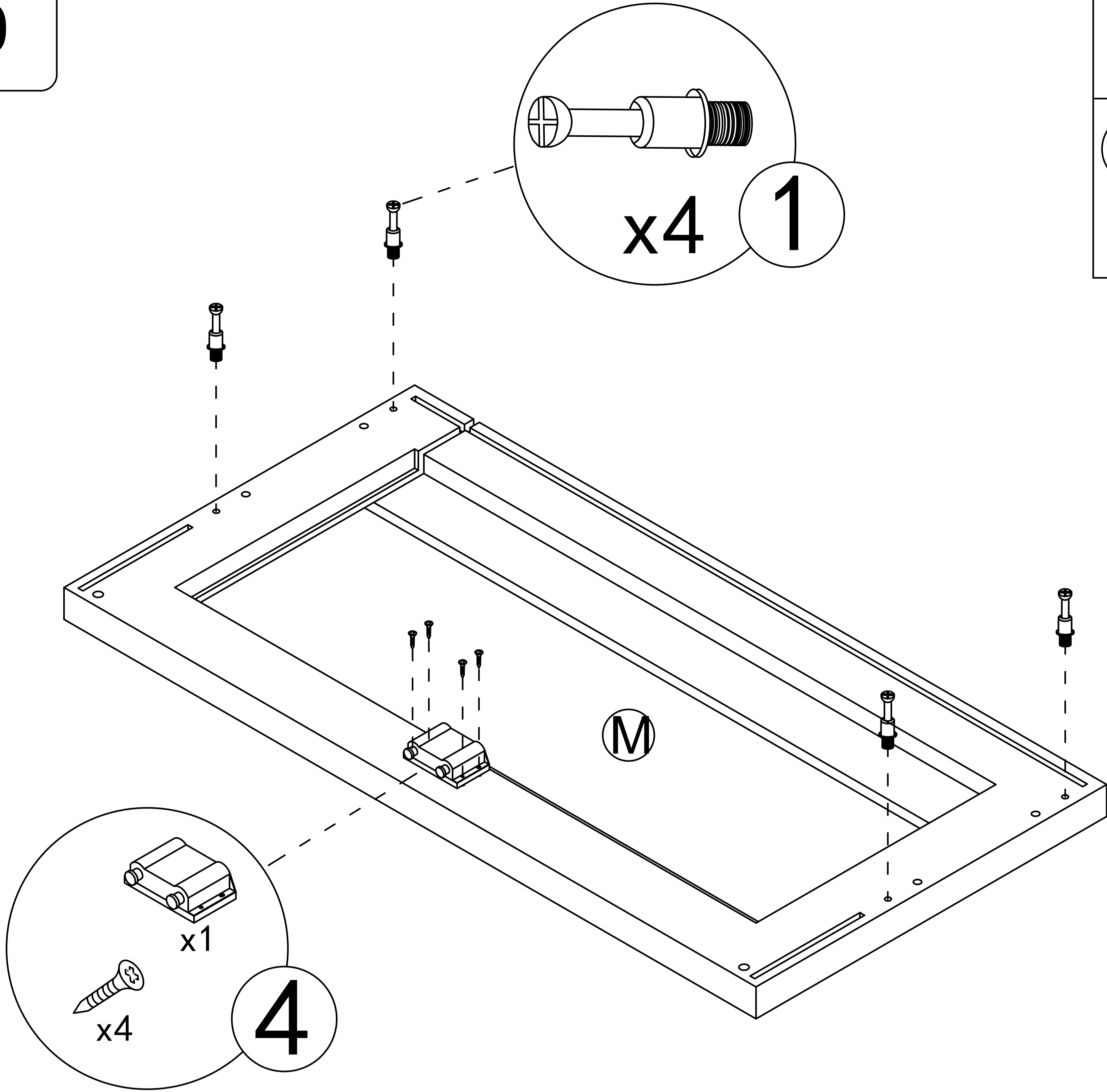
Tip: Pay attention to the glass falling down

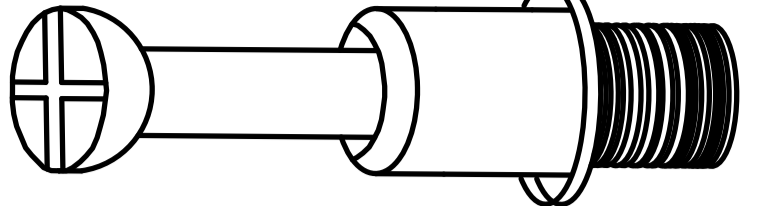

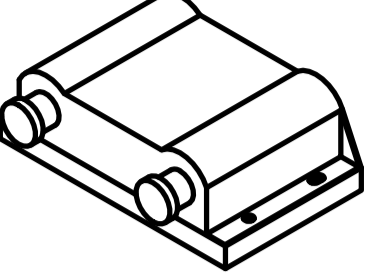
Step 29



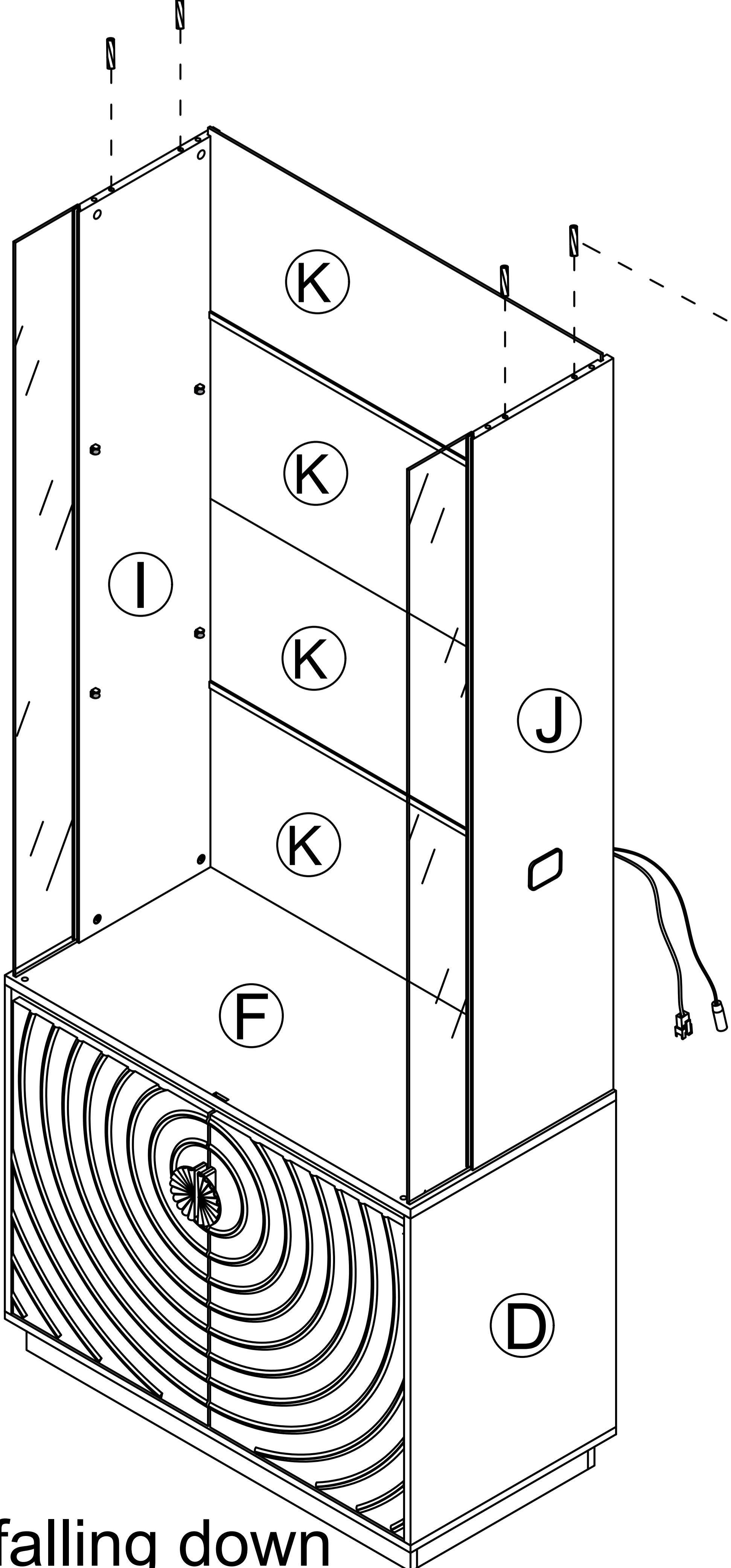
Tip: Pay attention to the glass falling down


Step 30



- 1  x4
- 4  x4  x1

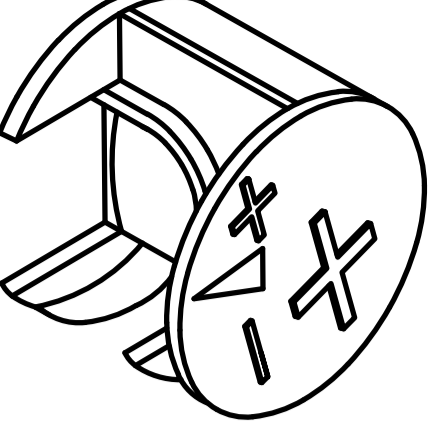
Step 31

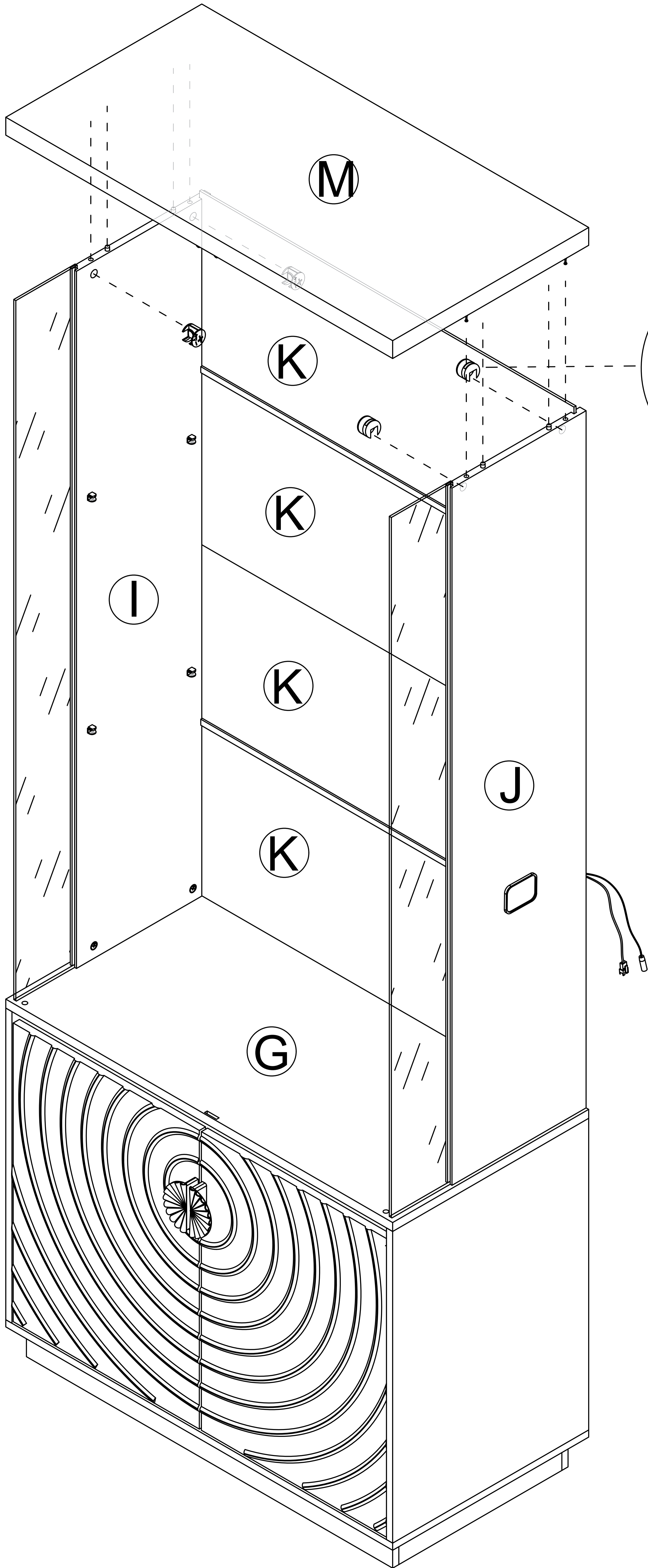


- 3  x4

Tip: Pay attention to the glass falling down

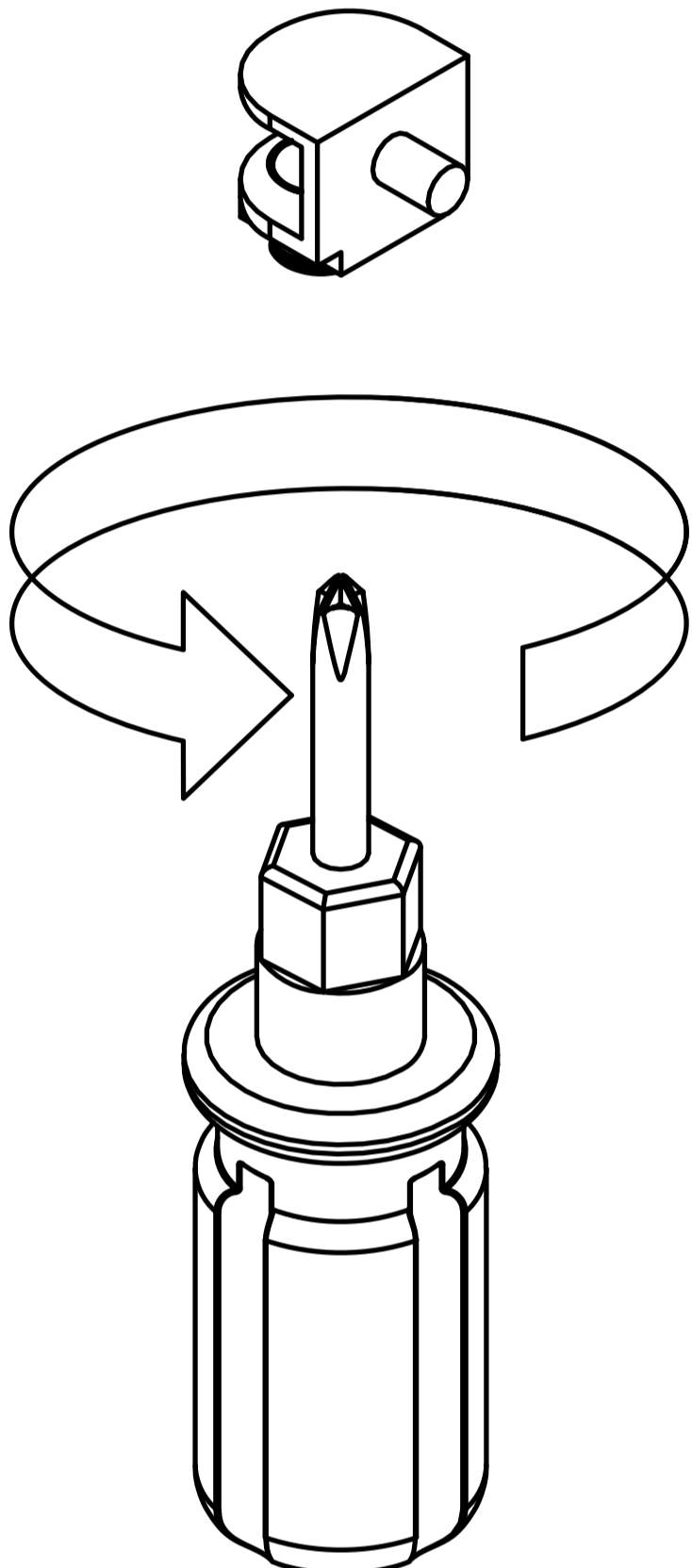
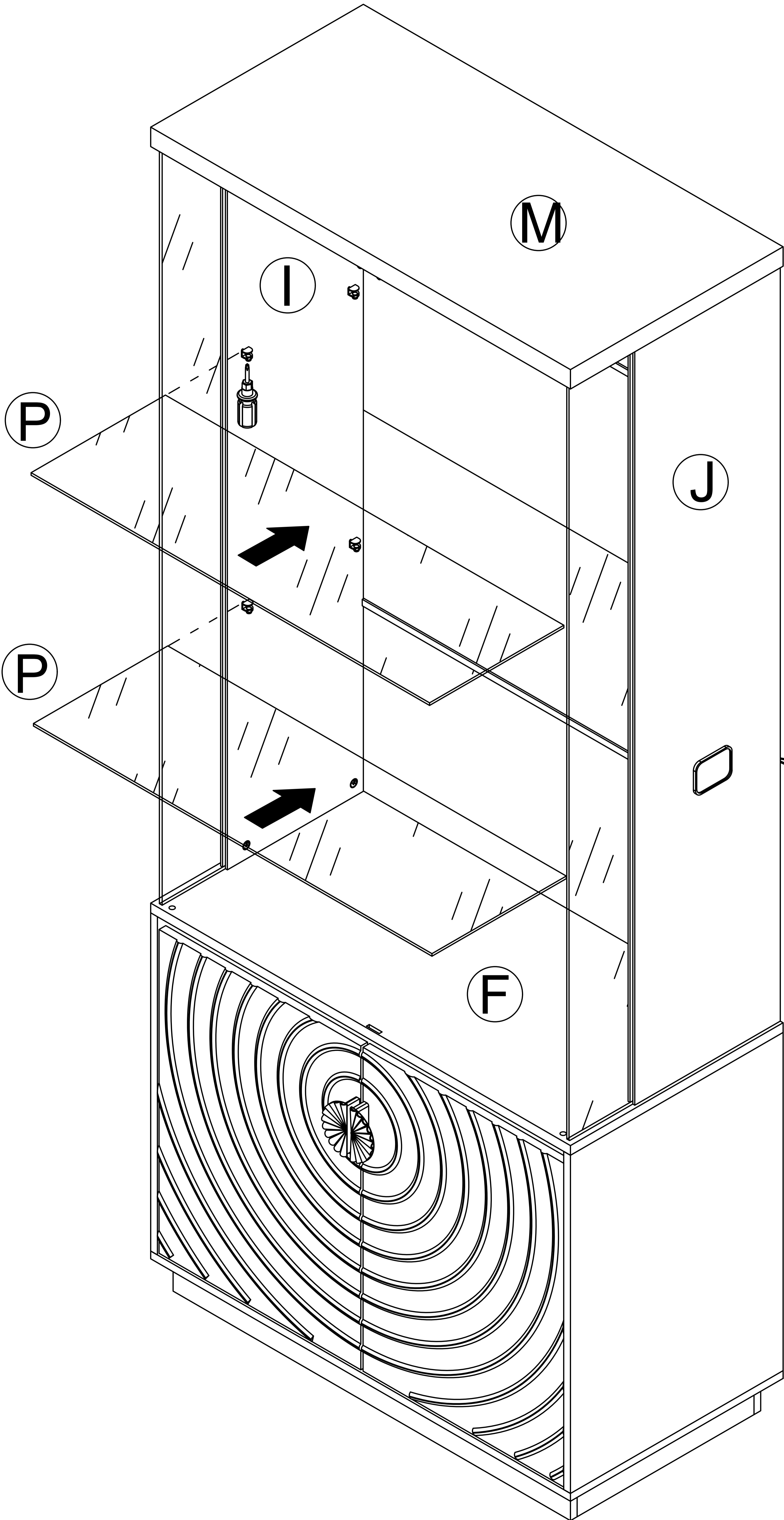
Step 32

2  x4



Tip: Pay attention to the glass falling down

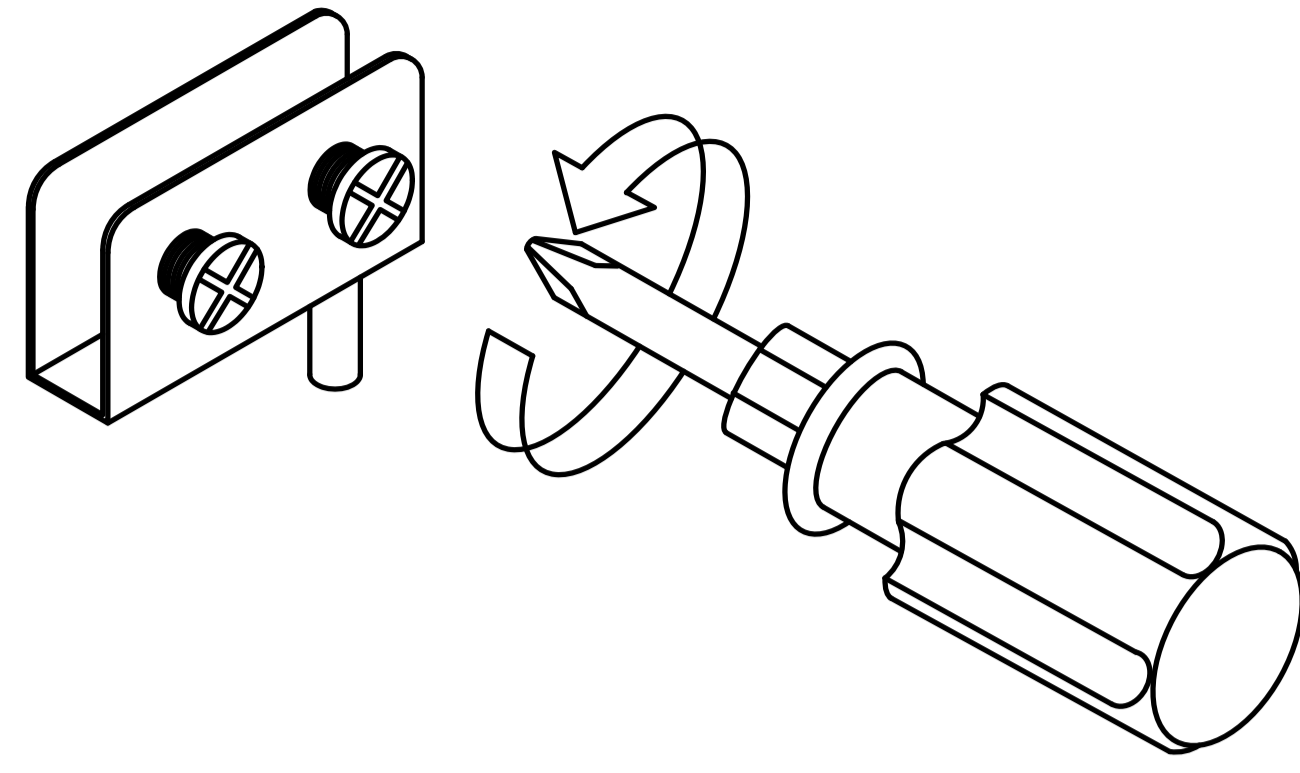
Step 33



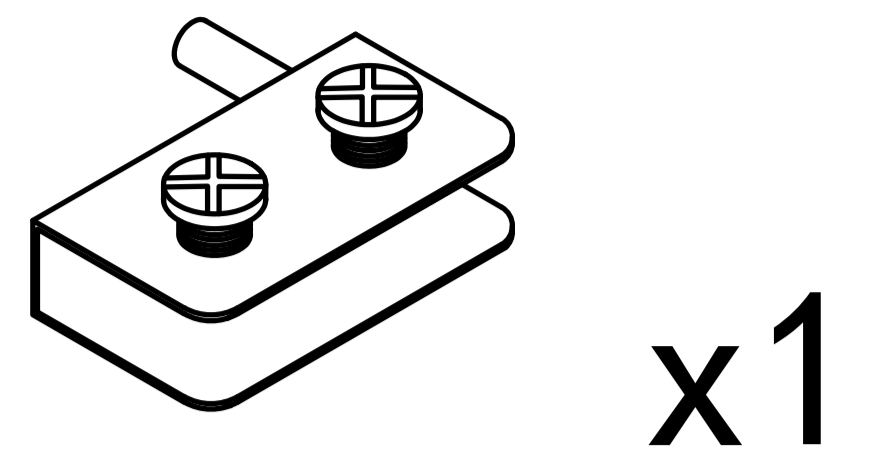
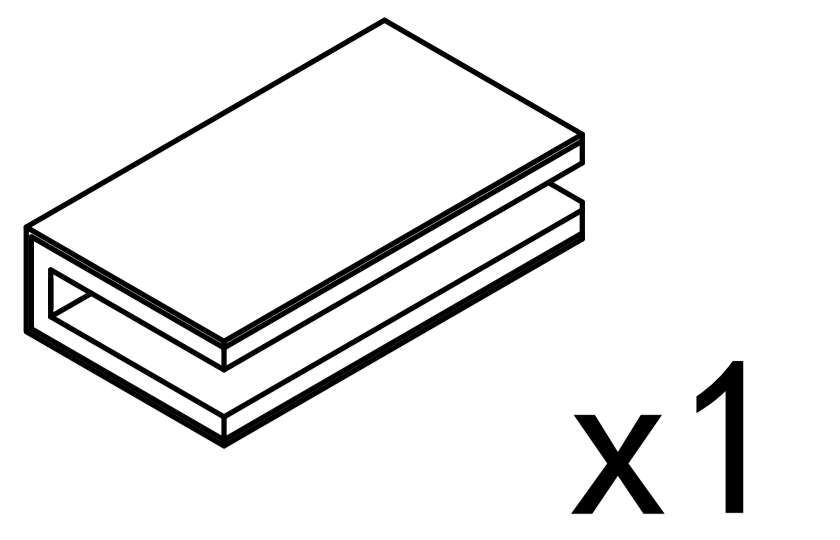
Tip: Adjusting the screw to rotate to the left can fix the glass

Step 34

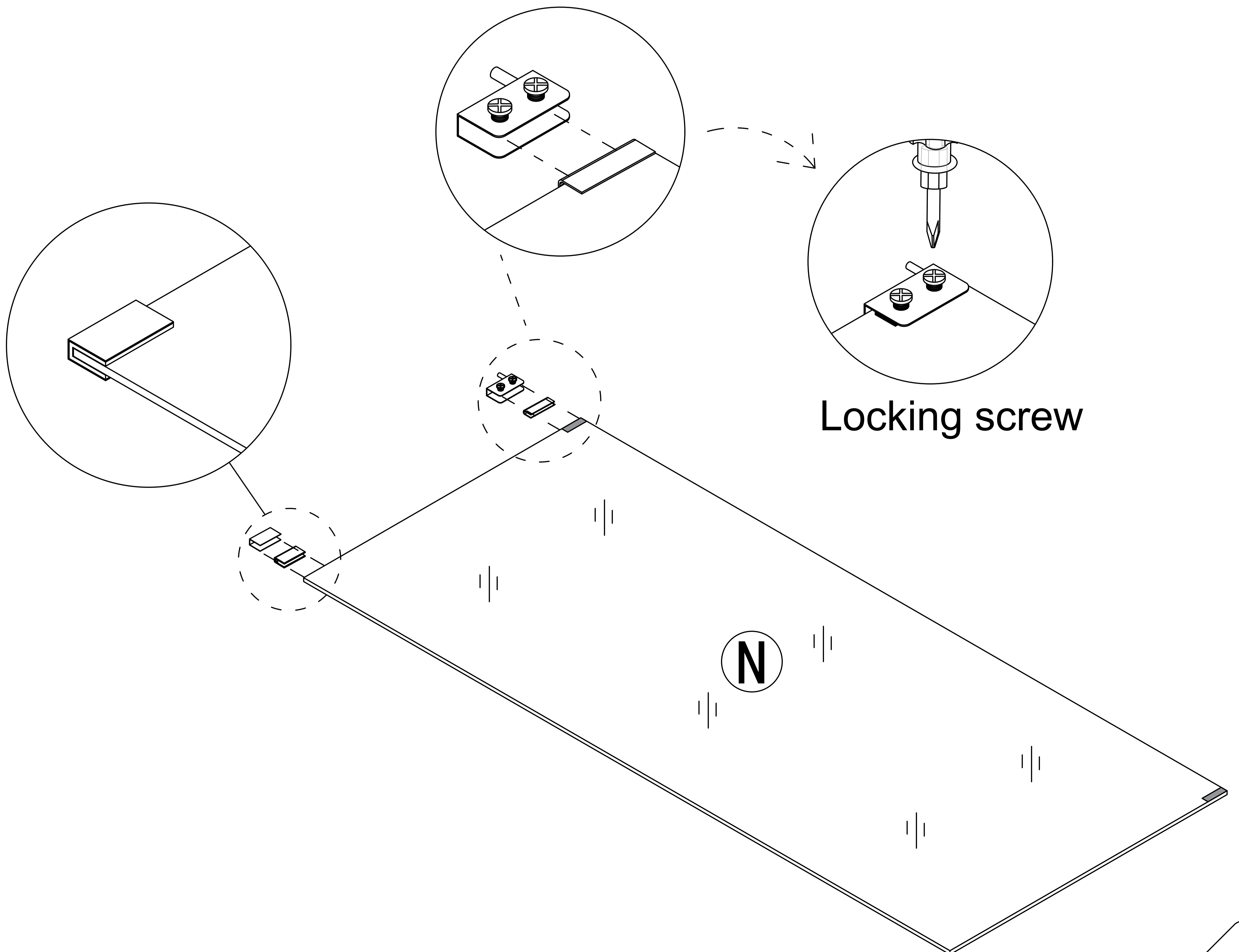
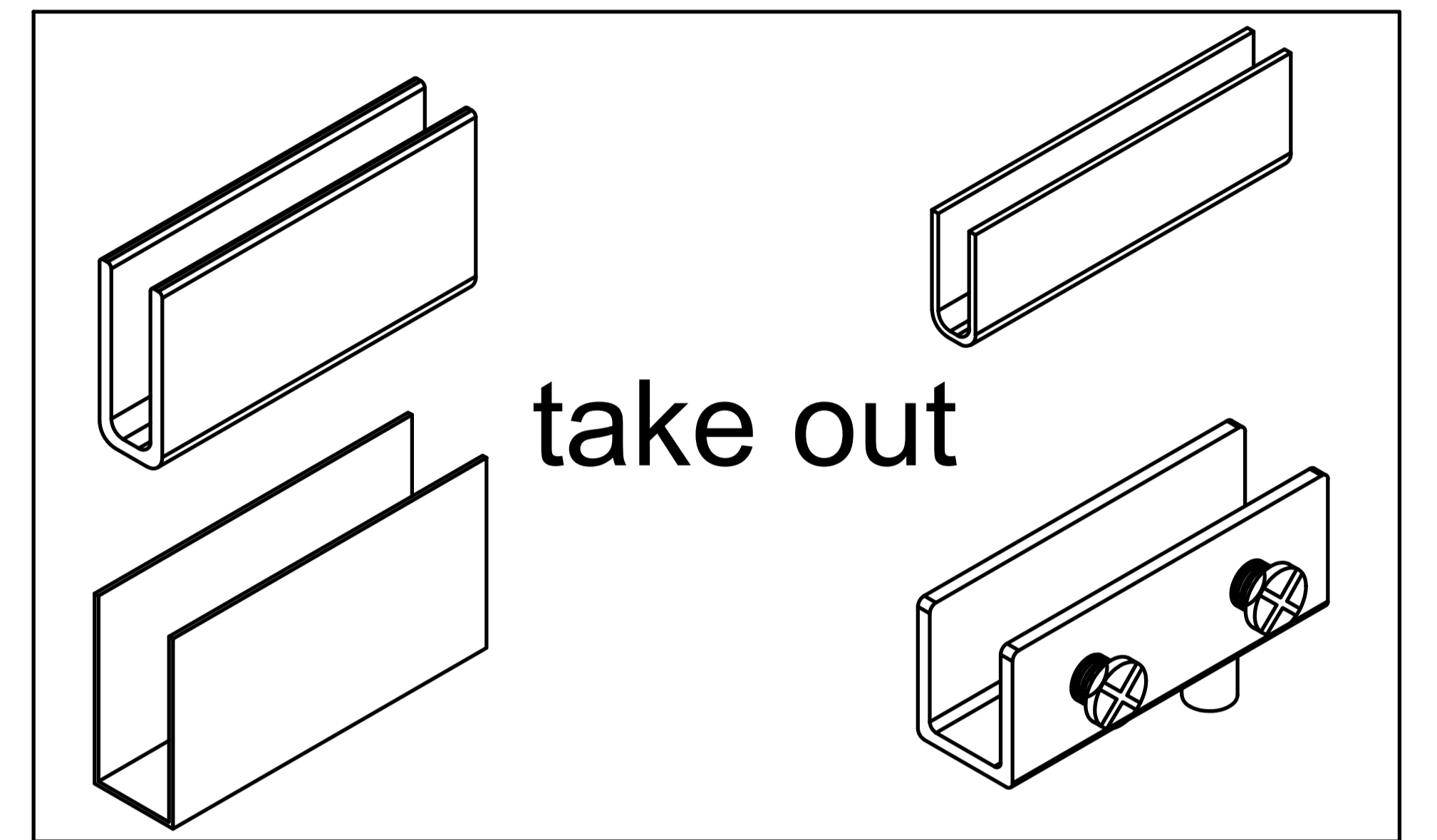
First, loosen the screws.



4

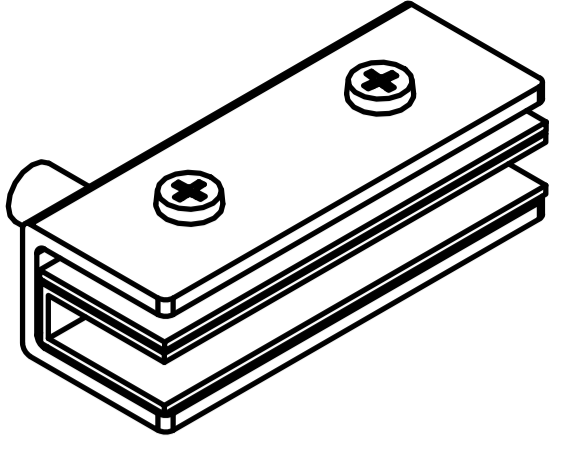
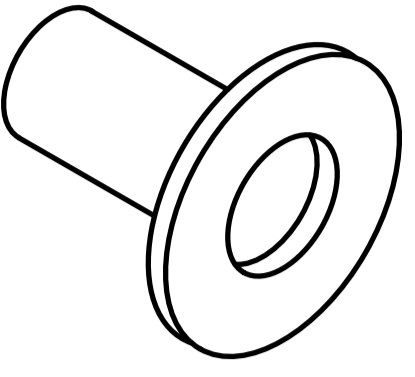


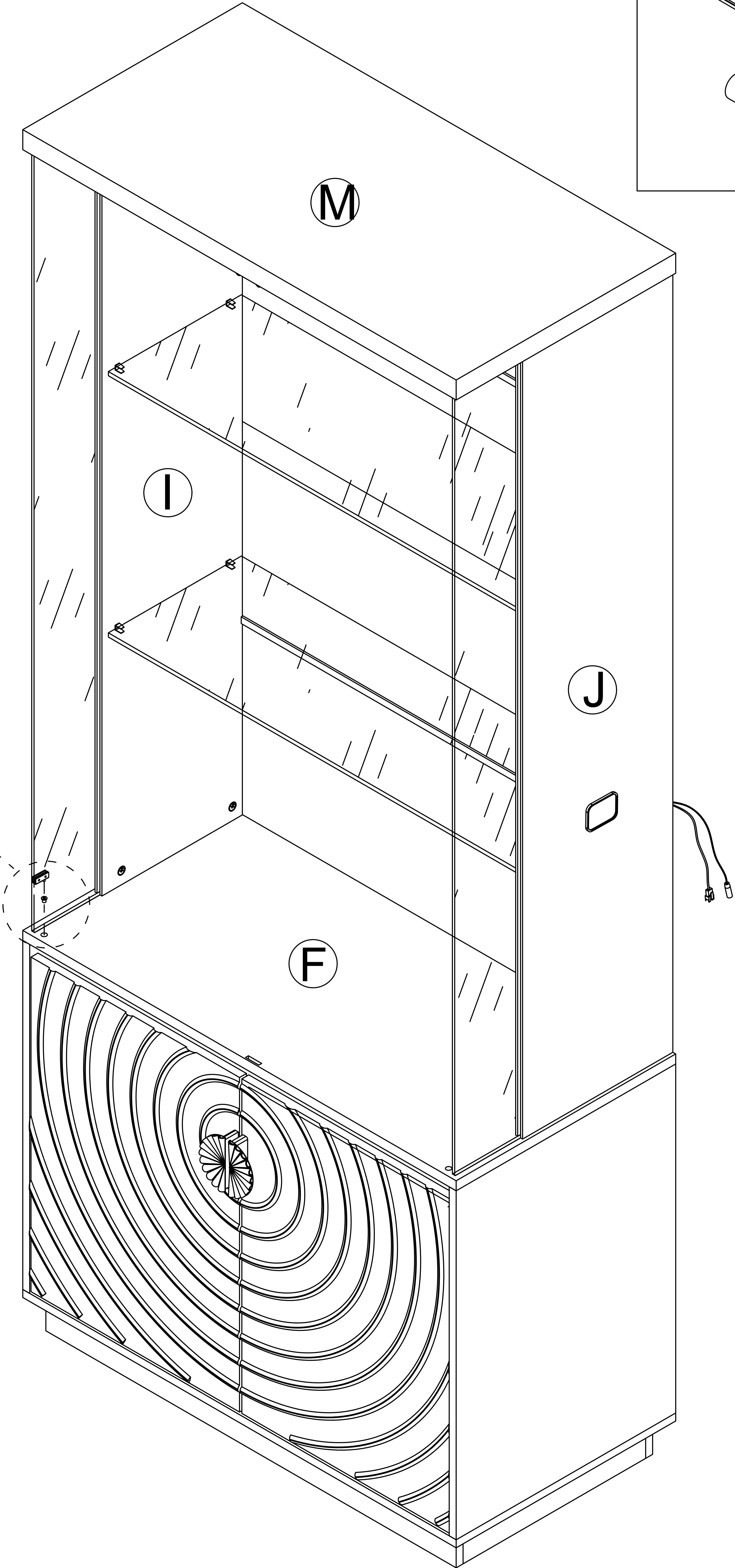
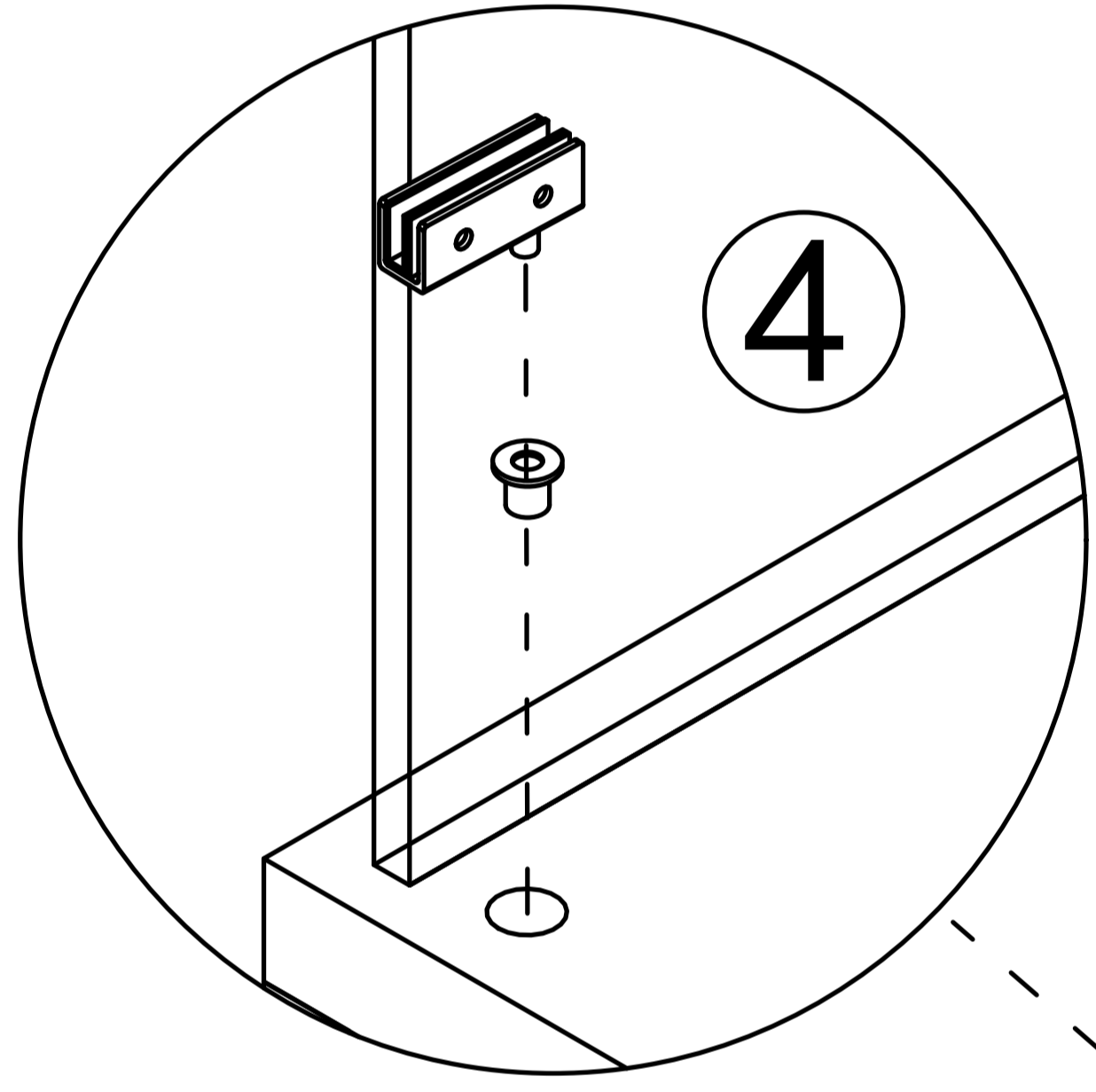
1. Take out the white foam pad
2. Fit the pad around the edge of the glass panel
3. Then slide the metal clamp over the assembled position
4. Finally, tighten the screws securely



Locking screw

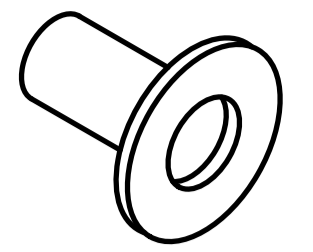
Step 35

- ④  x1
-  x1



Step 36

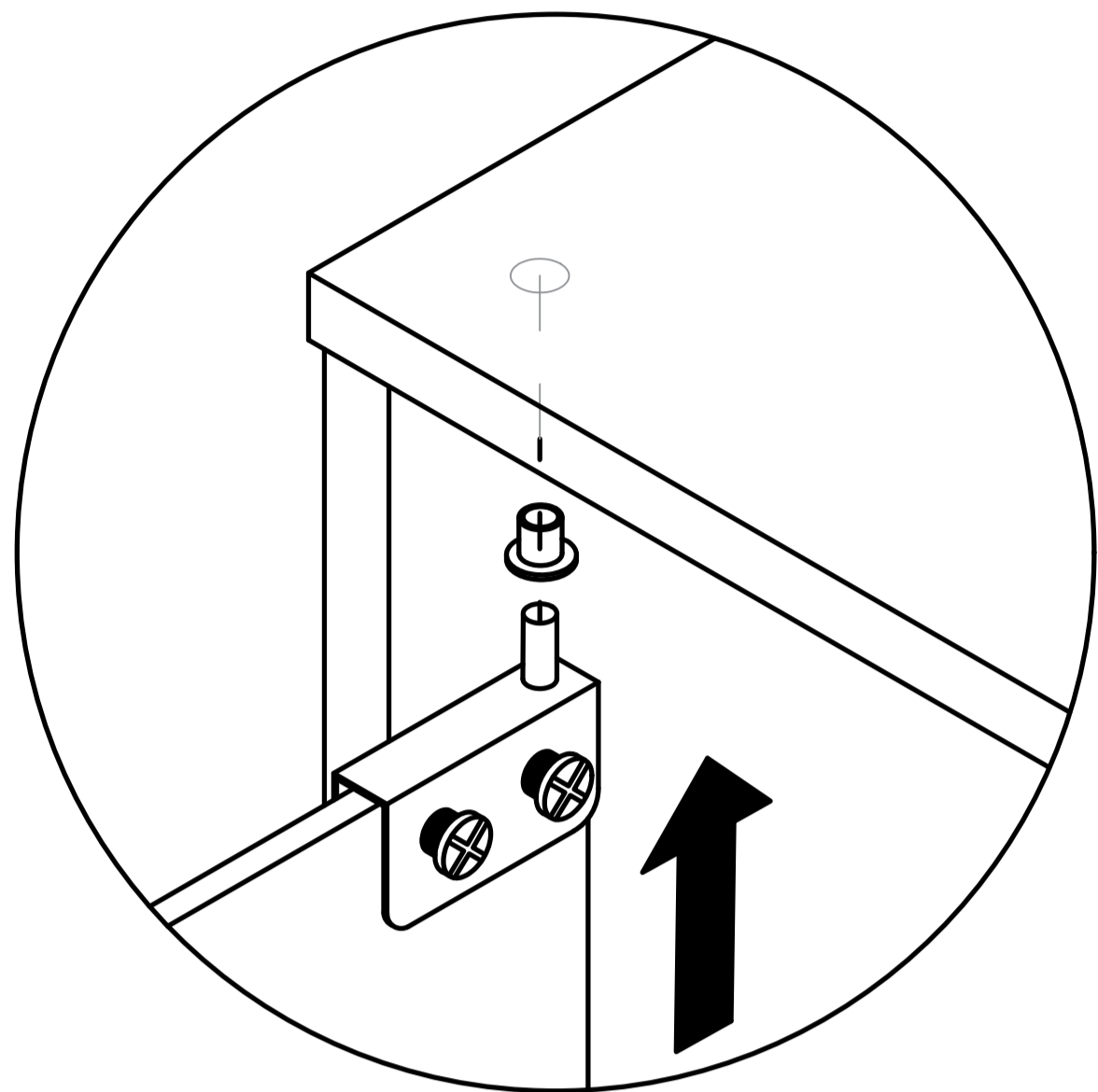
4



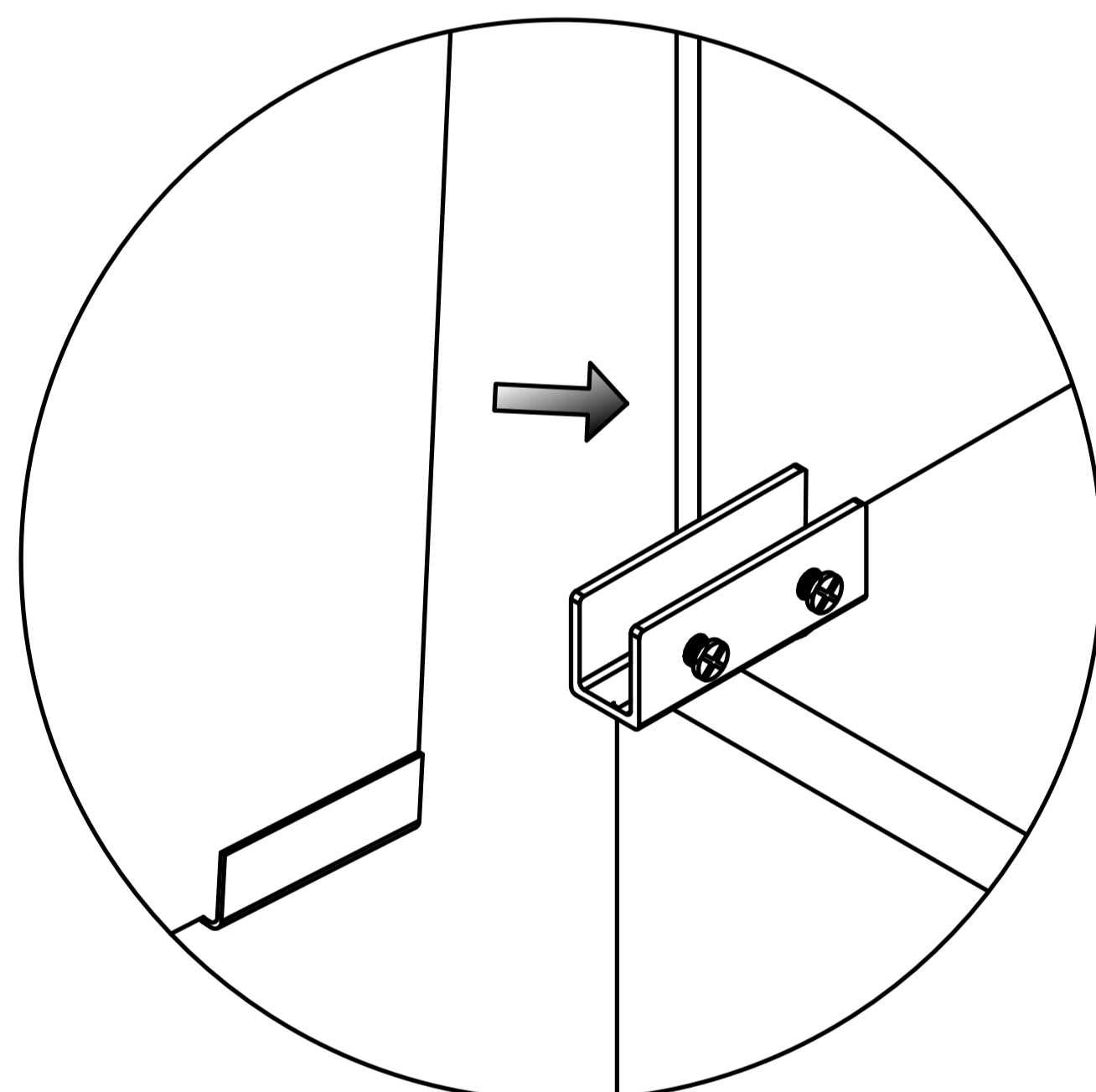
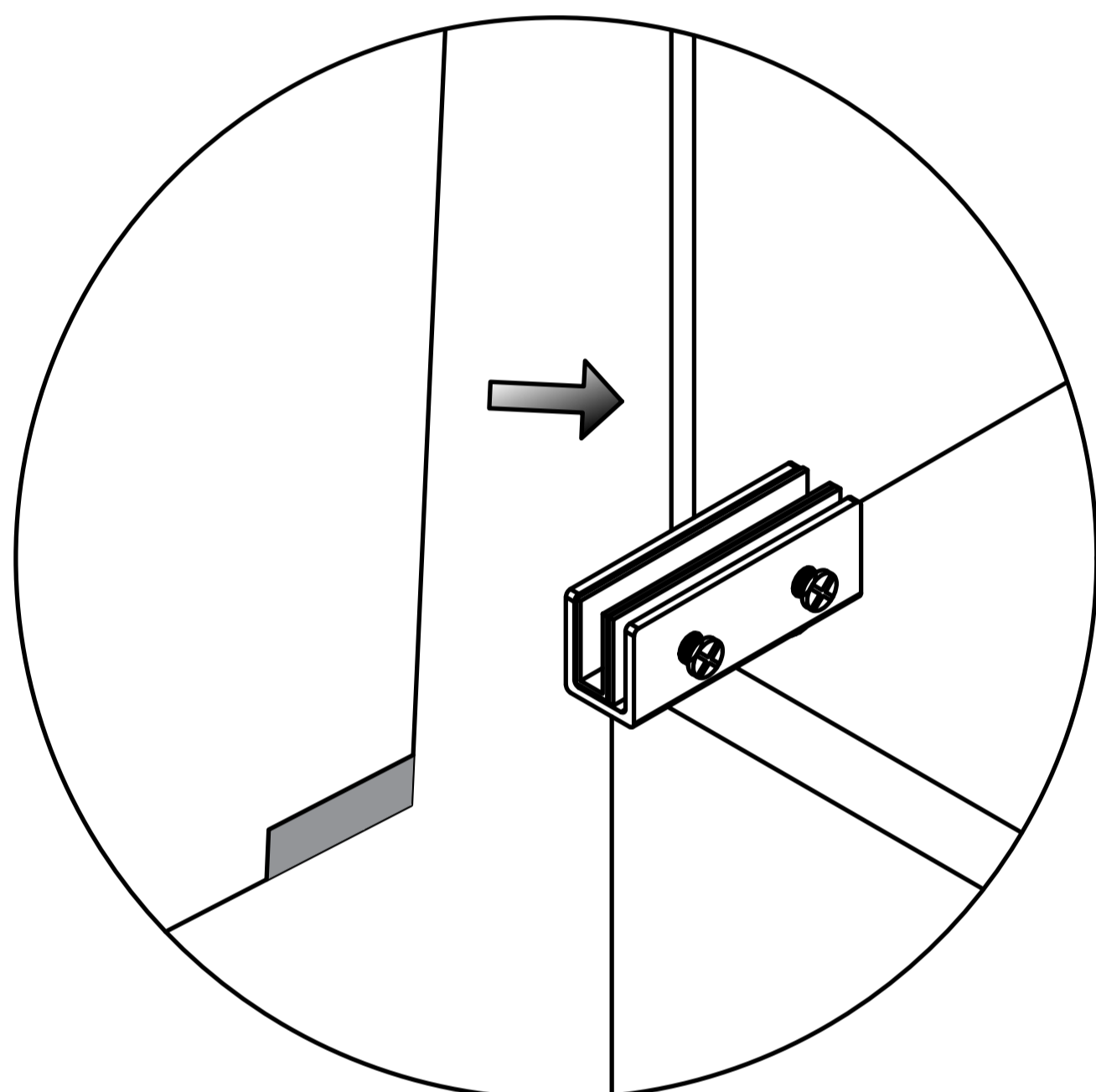
x1

Pay attention to the direction of the door hinge during installation

When installing a glass door, it is recommended to have two people install it to avoid the glass door colliding or hitting oneself.

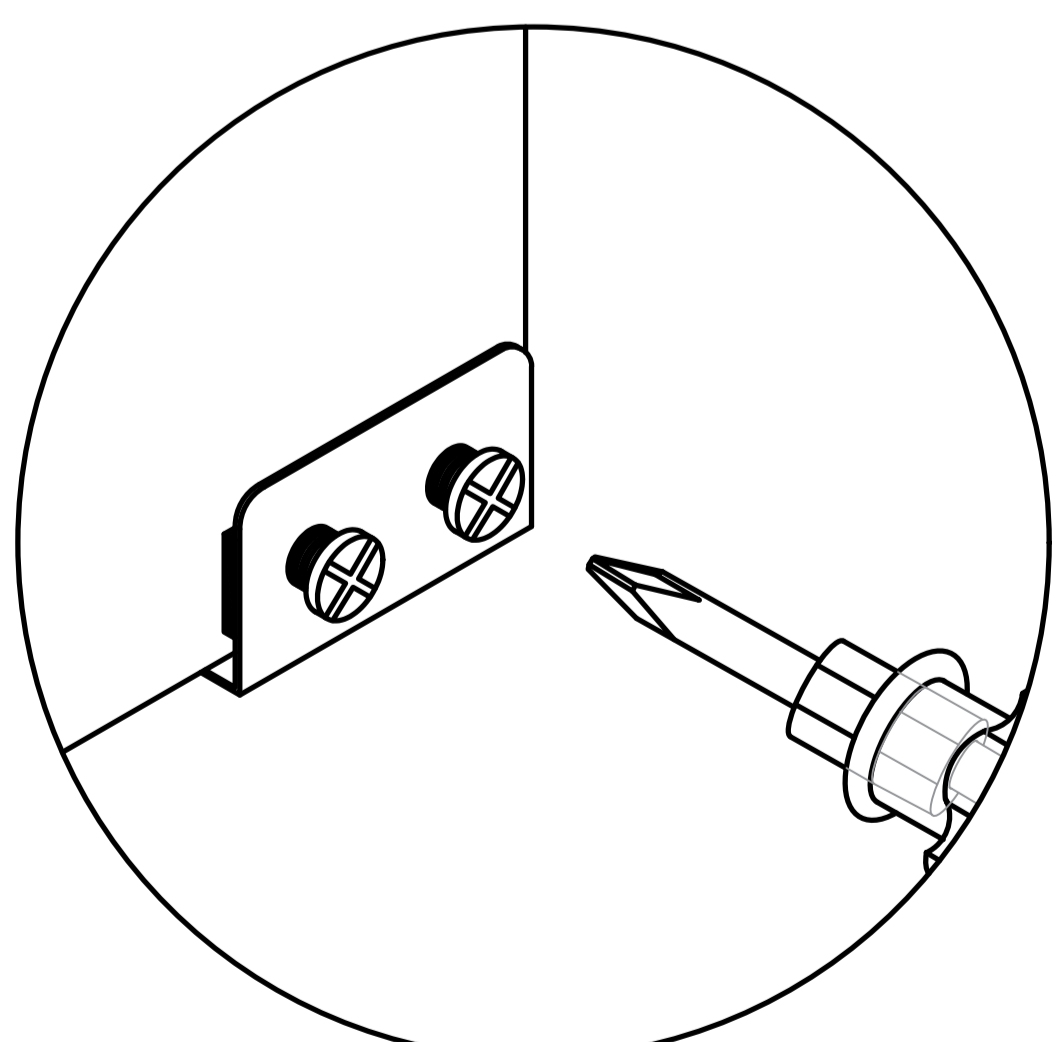


first



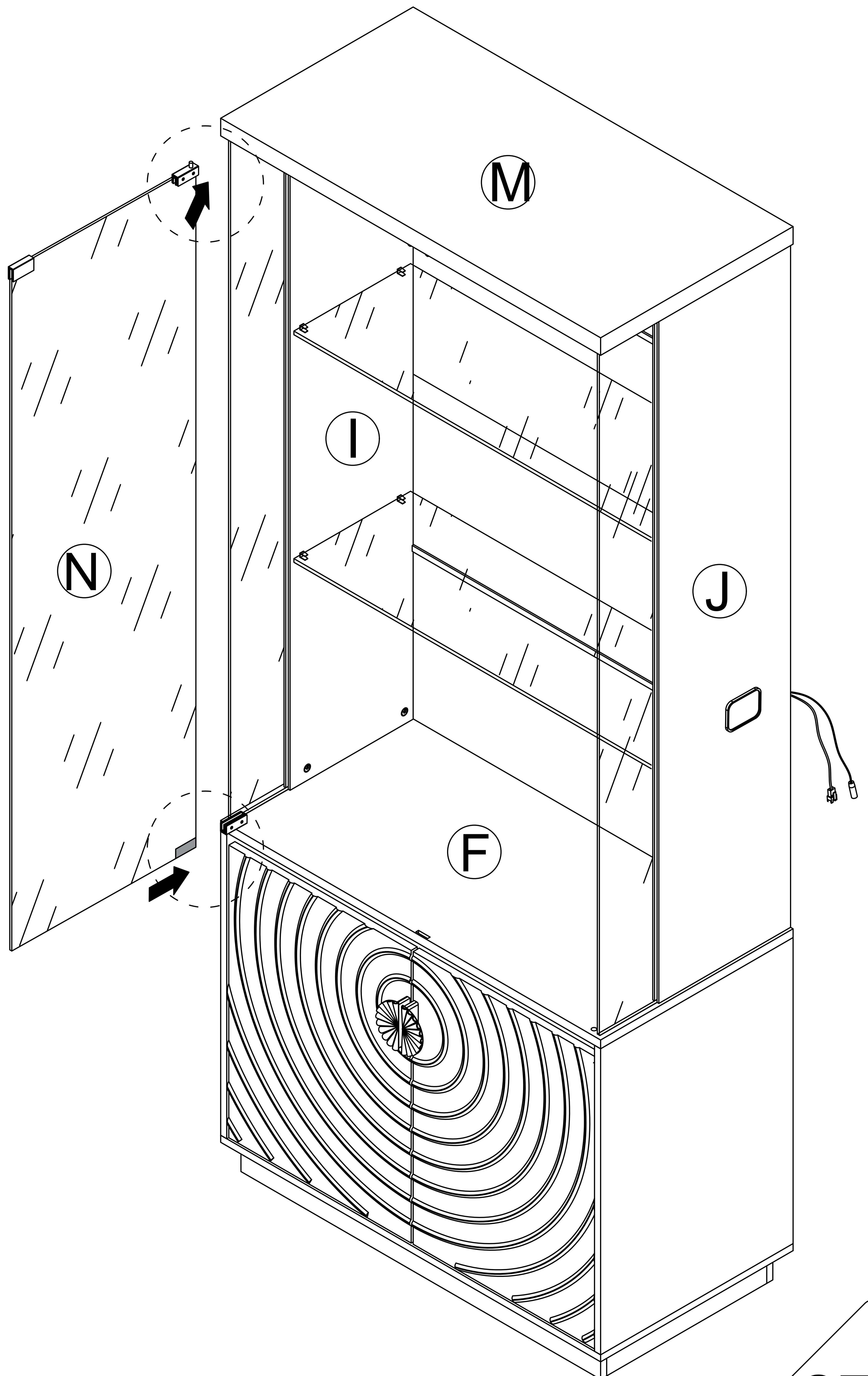
second

Insert the glass into the door hinge's slot.



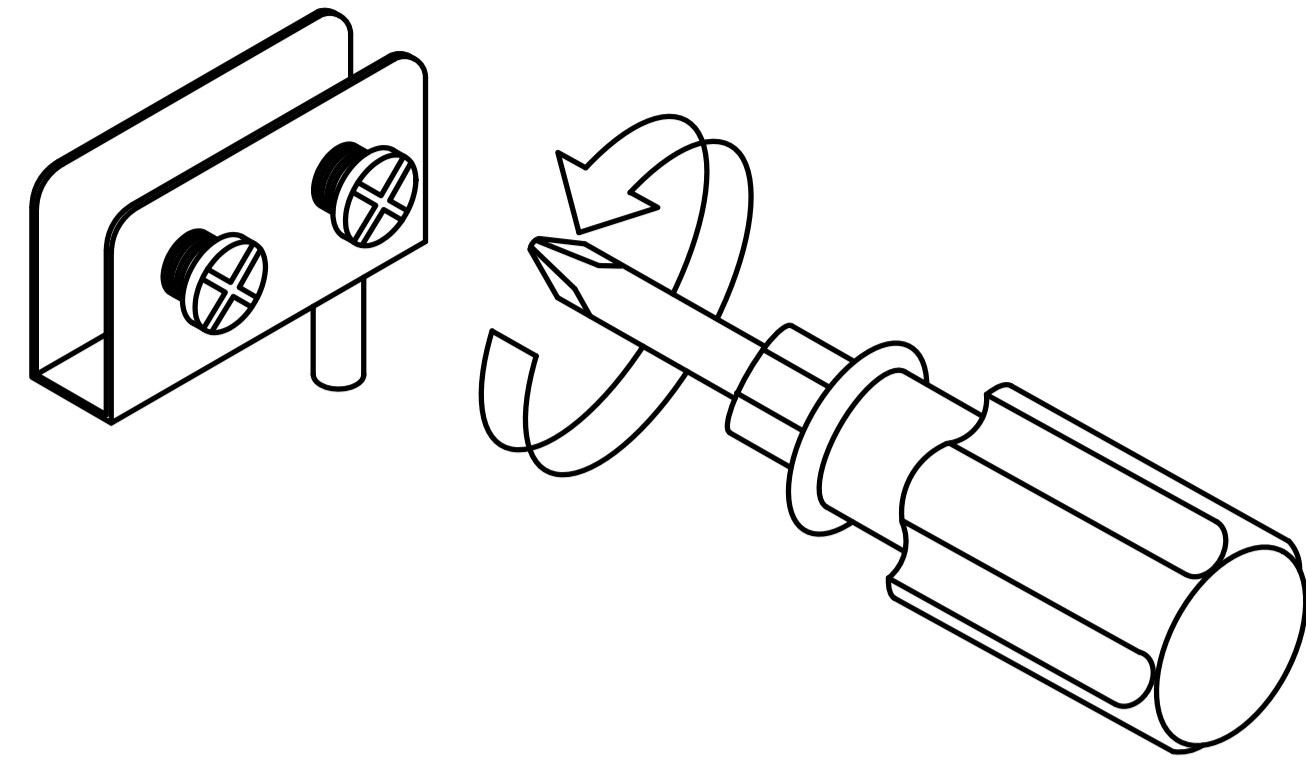
third

Locking screw

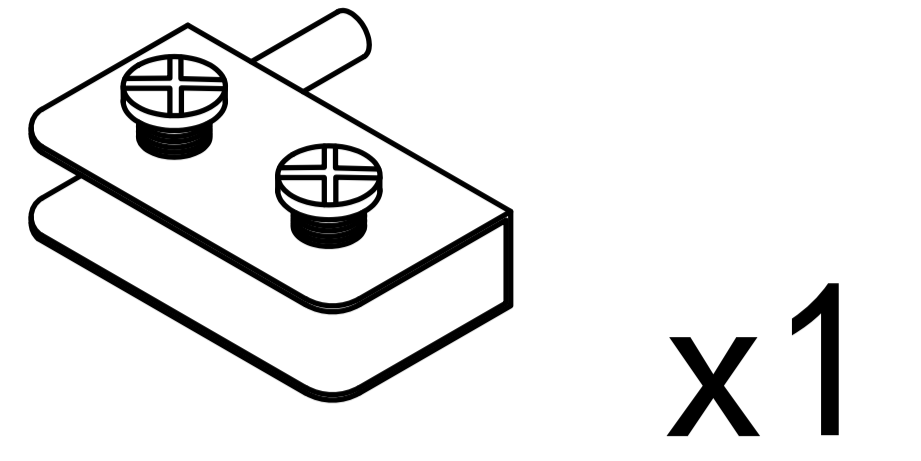
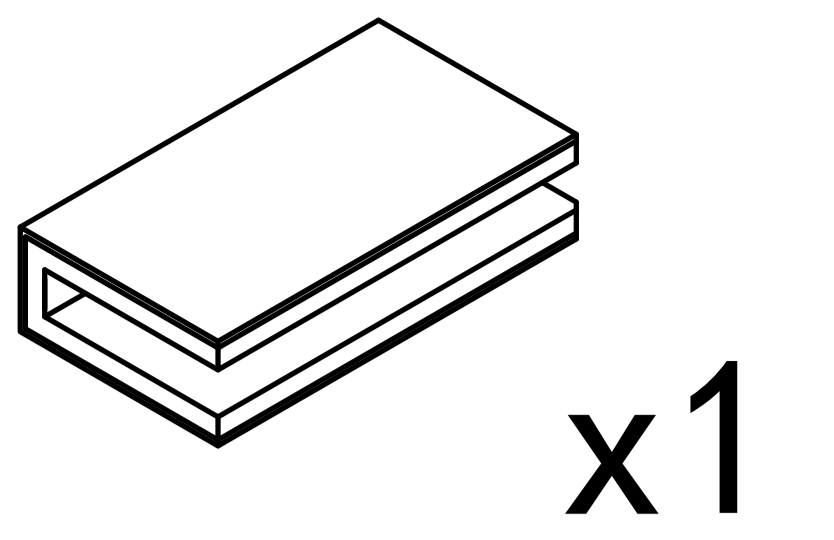


Step 37

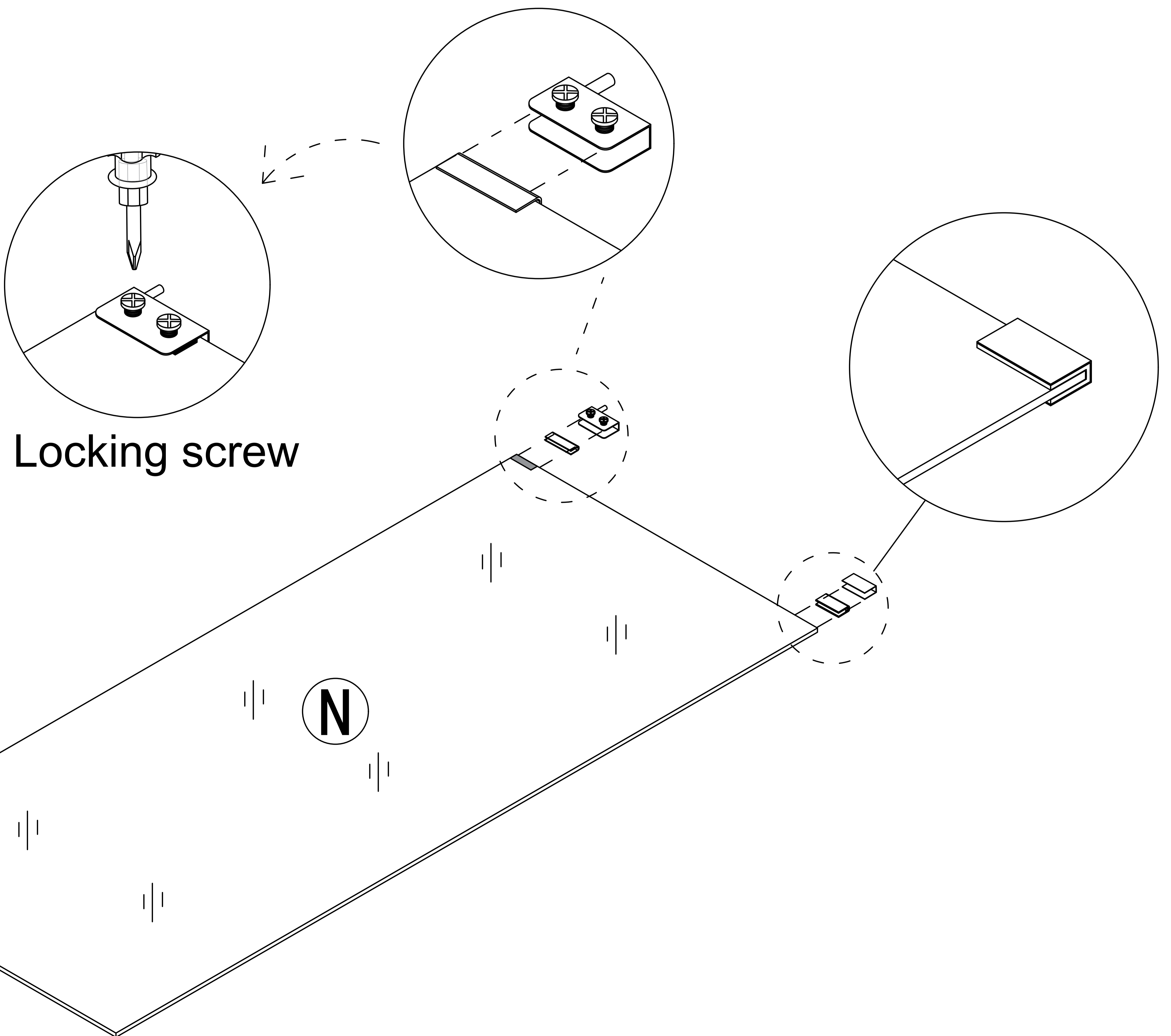
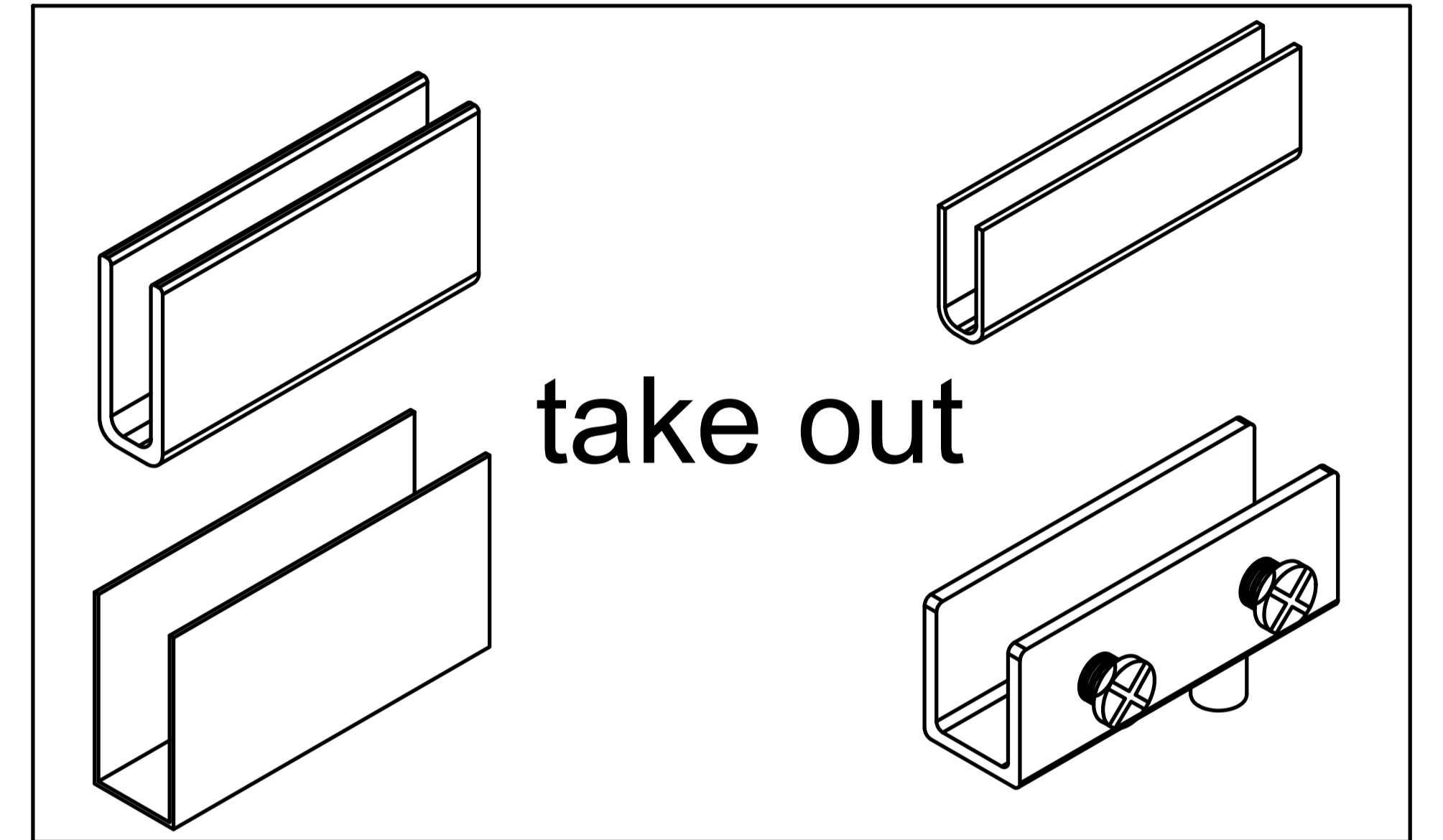
First, loosen the screws.



4

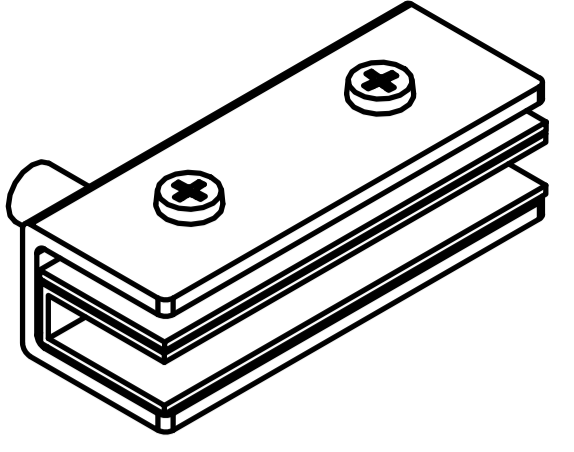
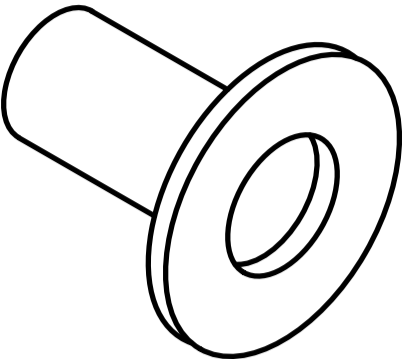


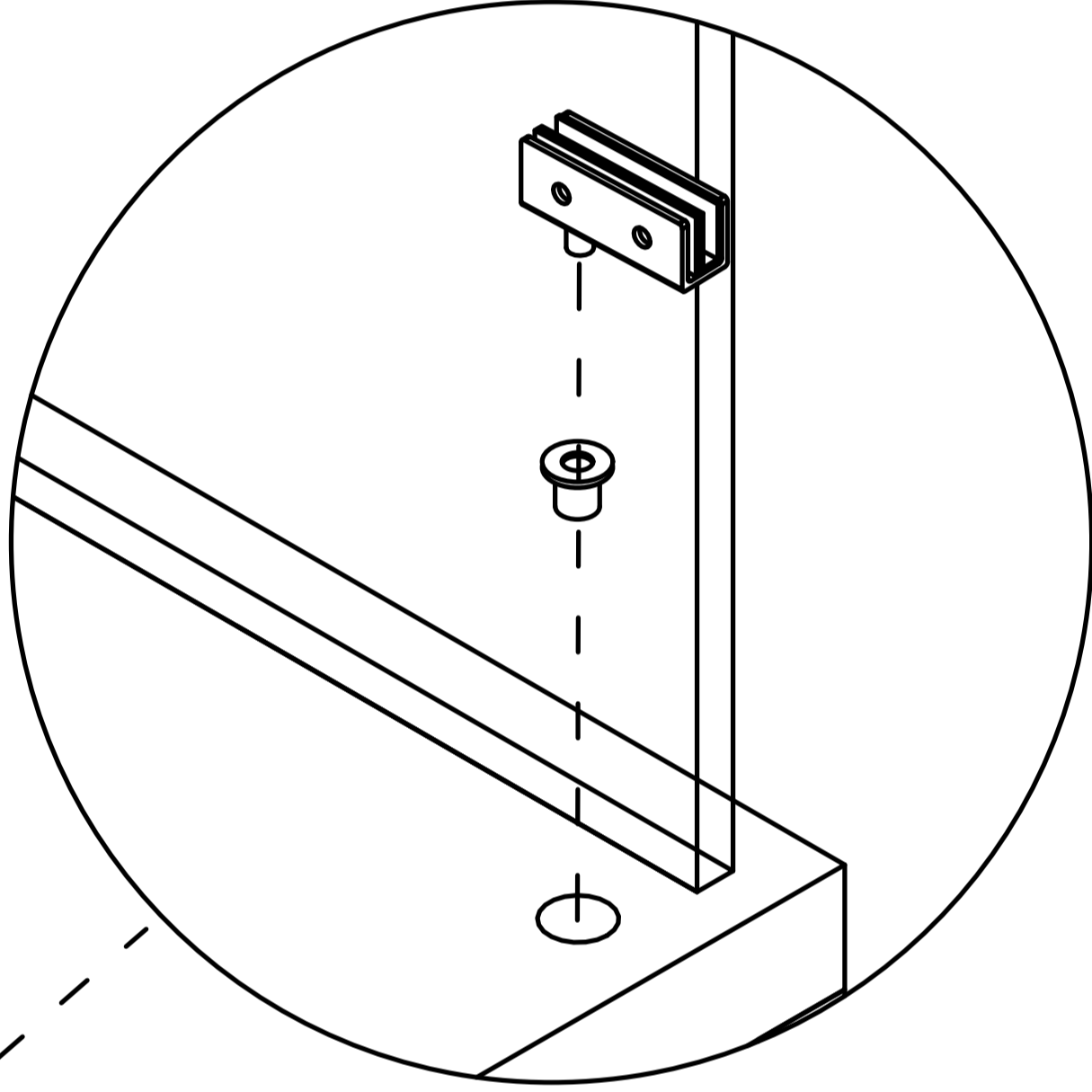
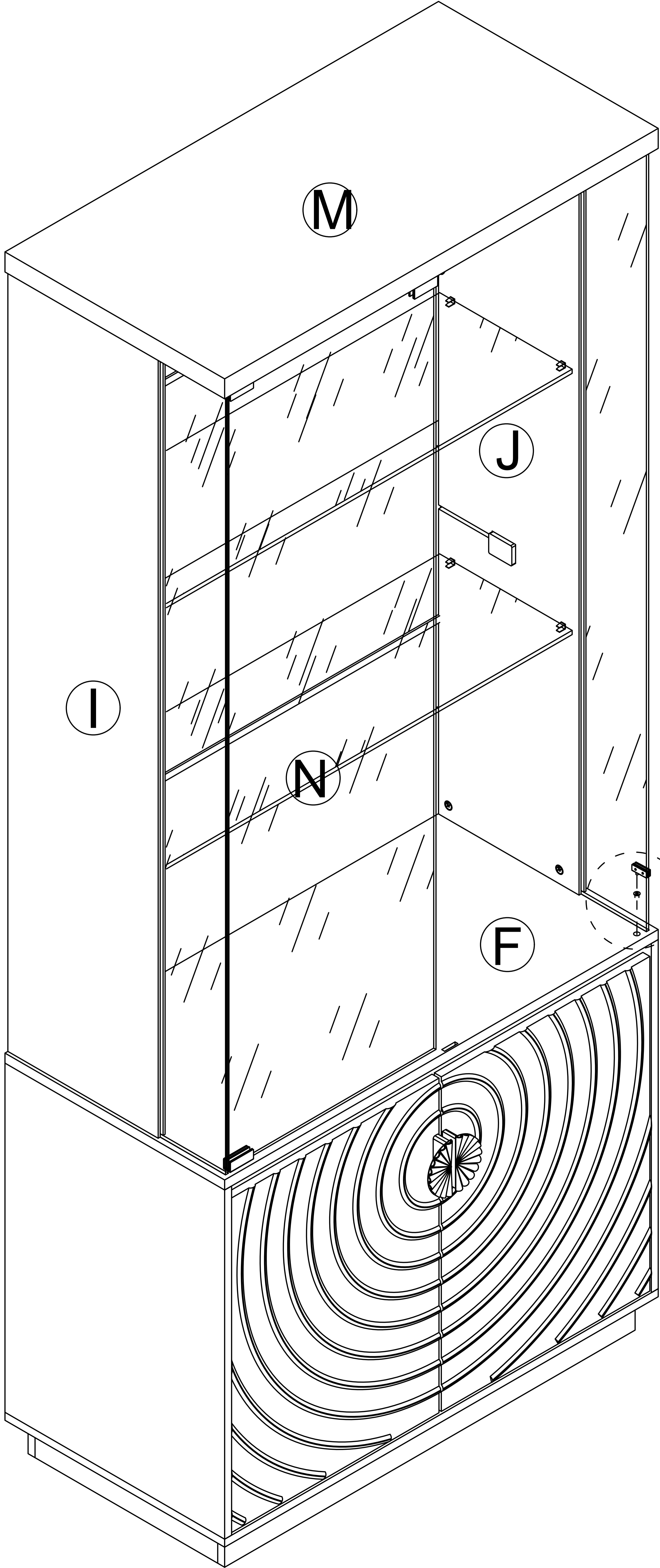
1. Take out the white foam pad
2. Fit the pad around the edge of the glass panel
3. Then slide the metal clamp over the assembled position
4. Finally, tighten the screws securely



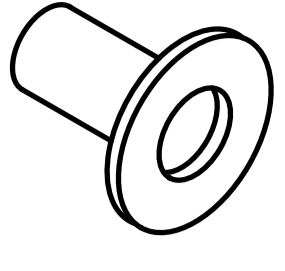
Locking screw

Step 38

- ④  x1
-  x1

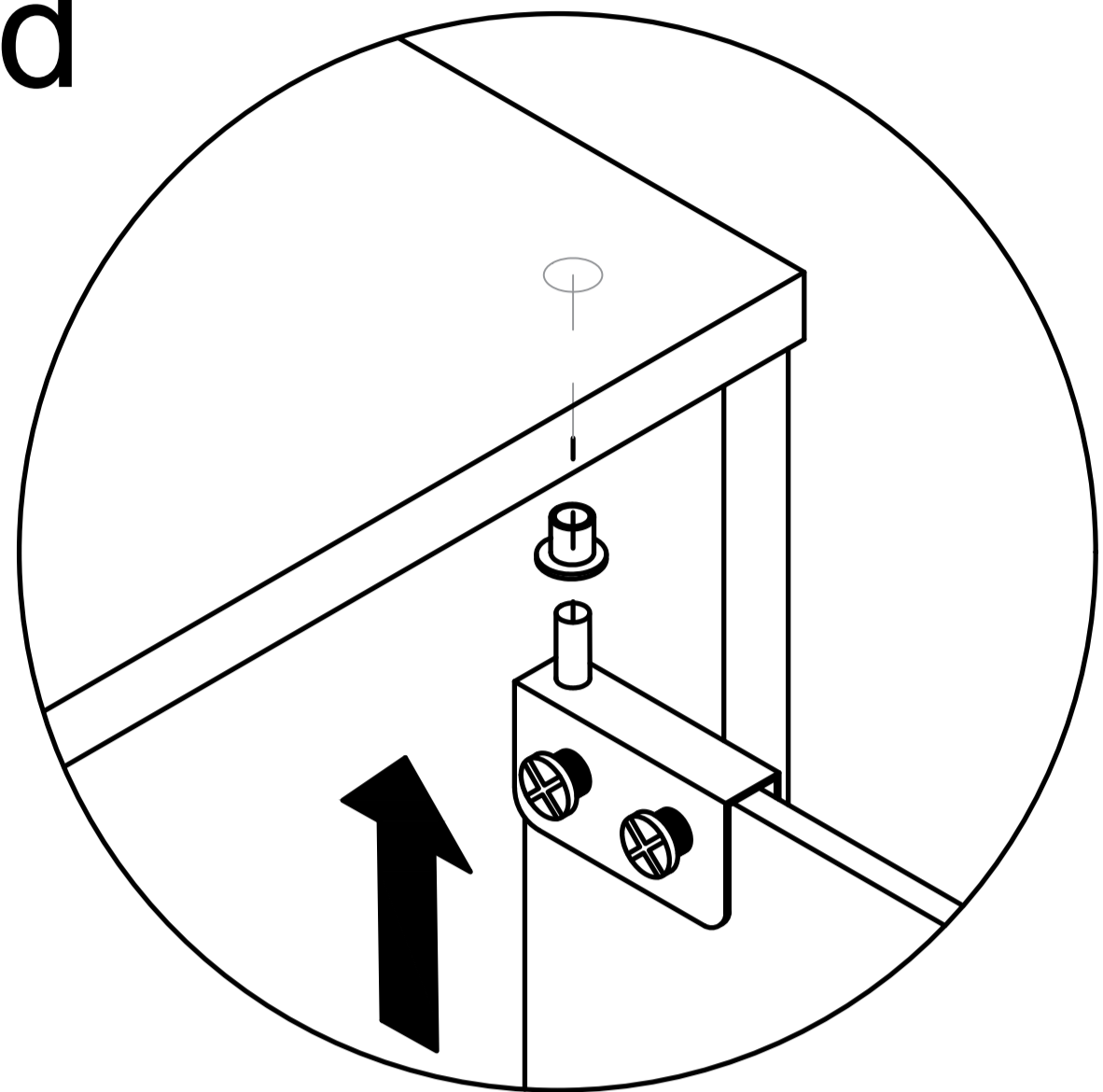


Step 39

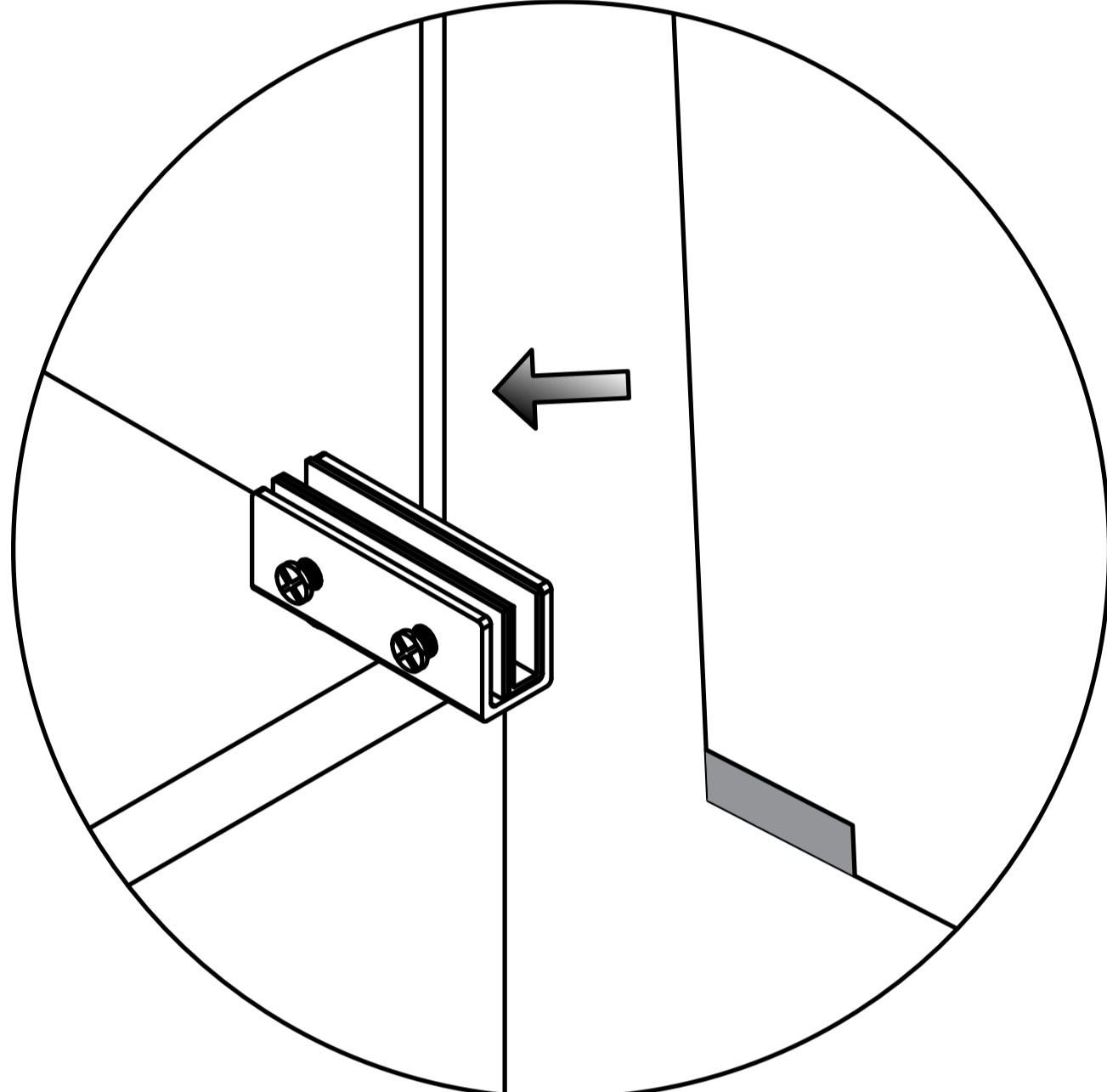
④  x1

Pay attention to the direction of the door hinge during installation

When installing a glass door, it is recommended to have two people install it to avoid the glass door colliding or hitting oneself.

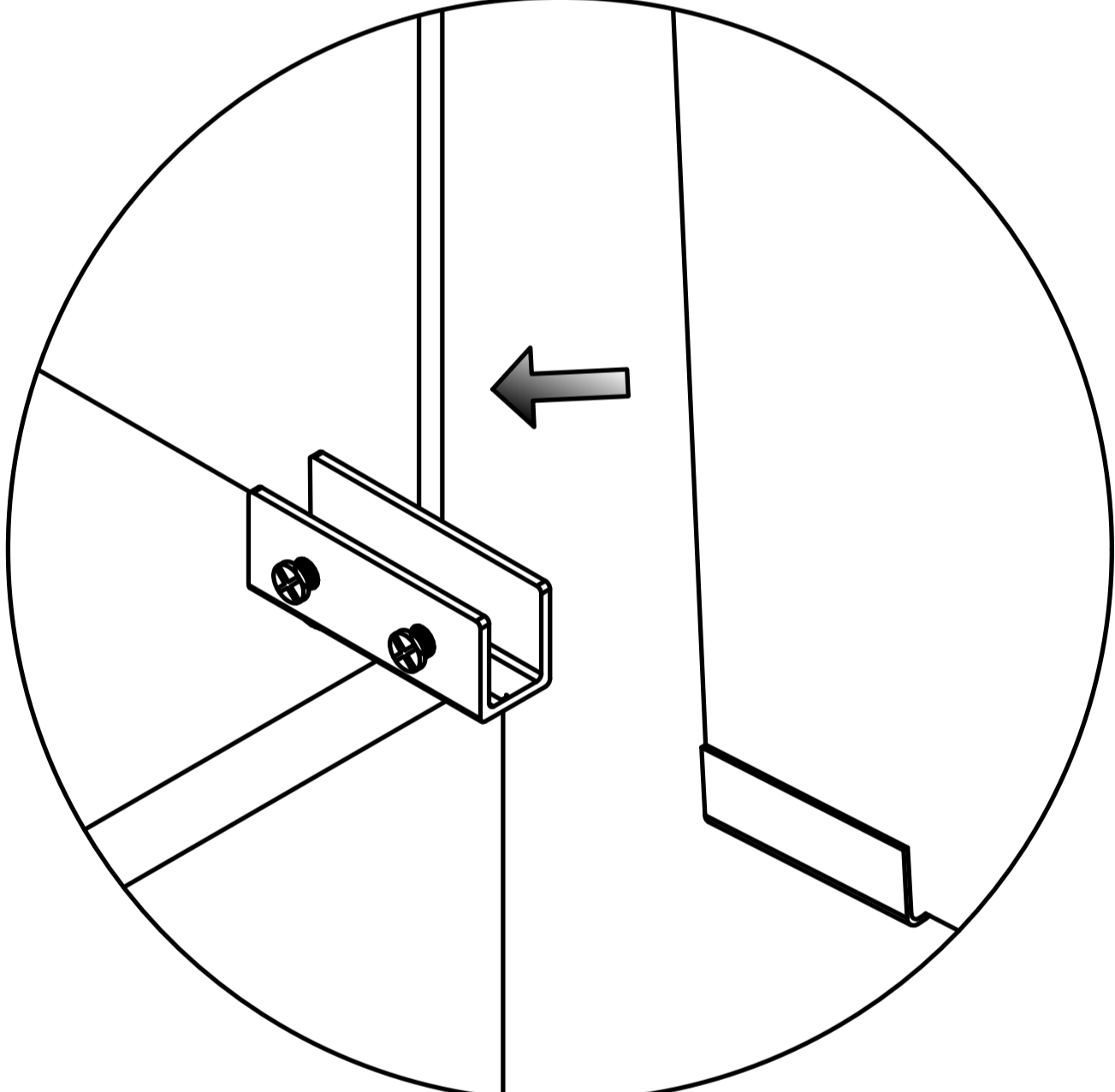


first



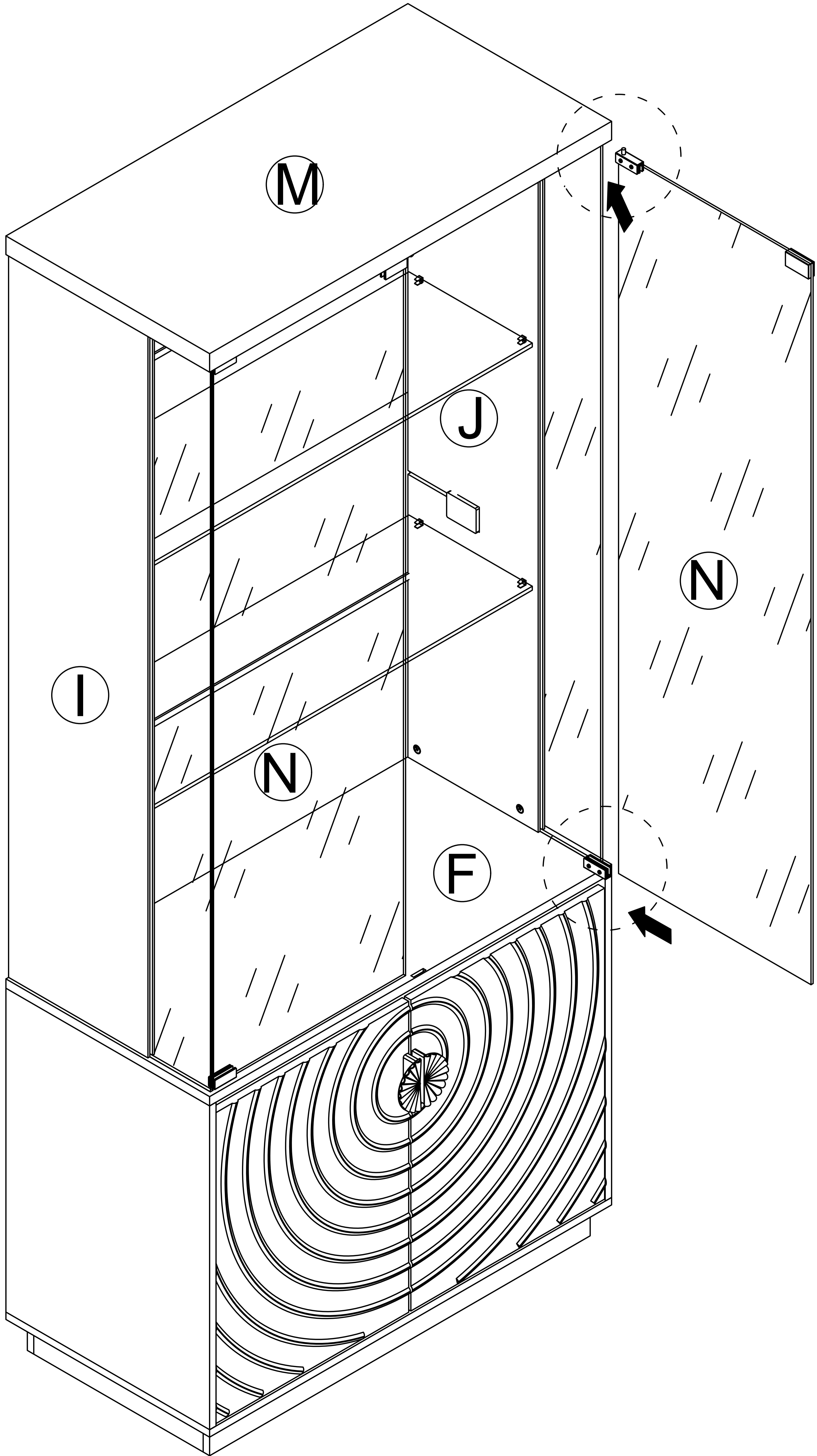
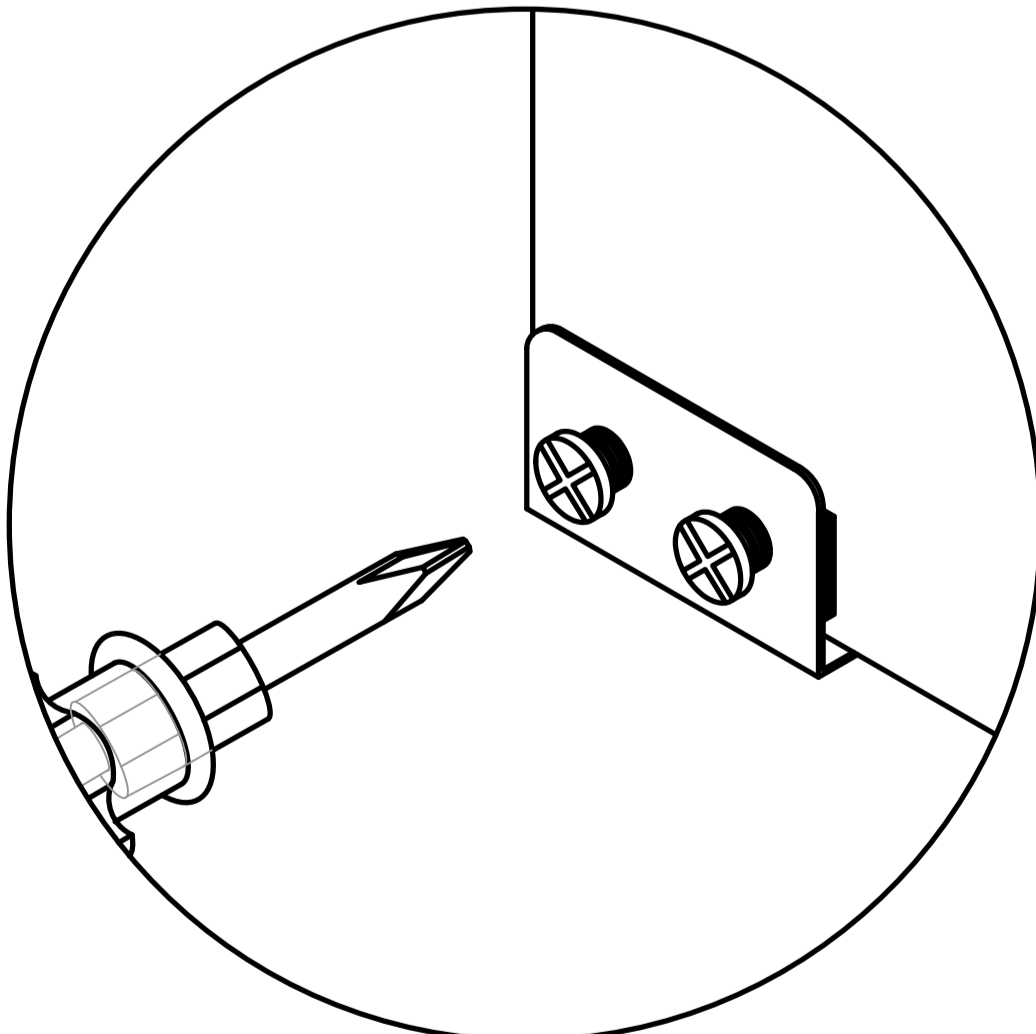
second

Insert the glass into the door hinge's slot.

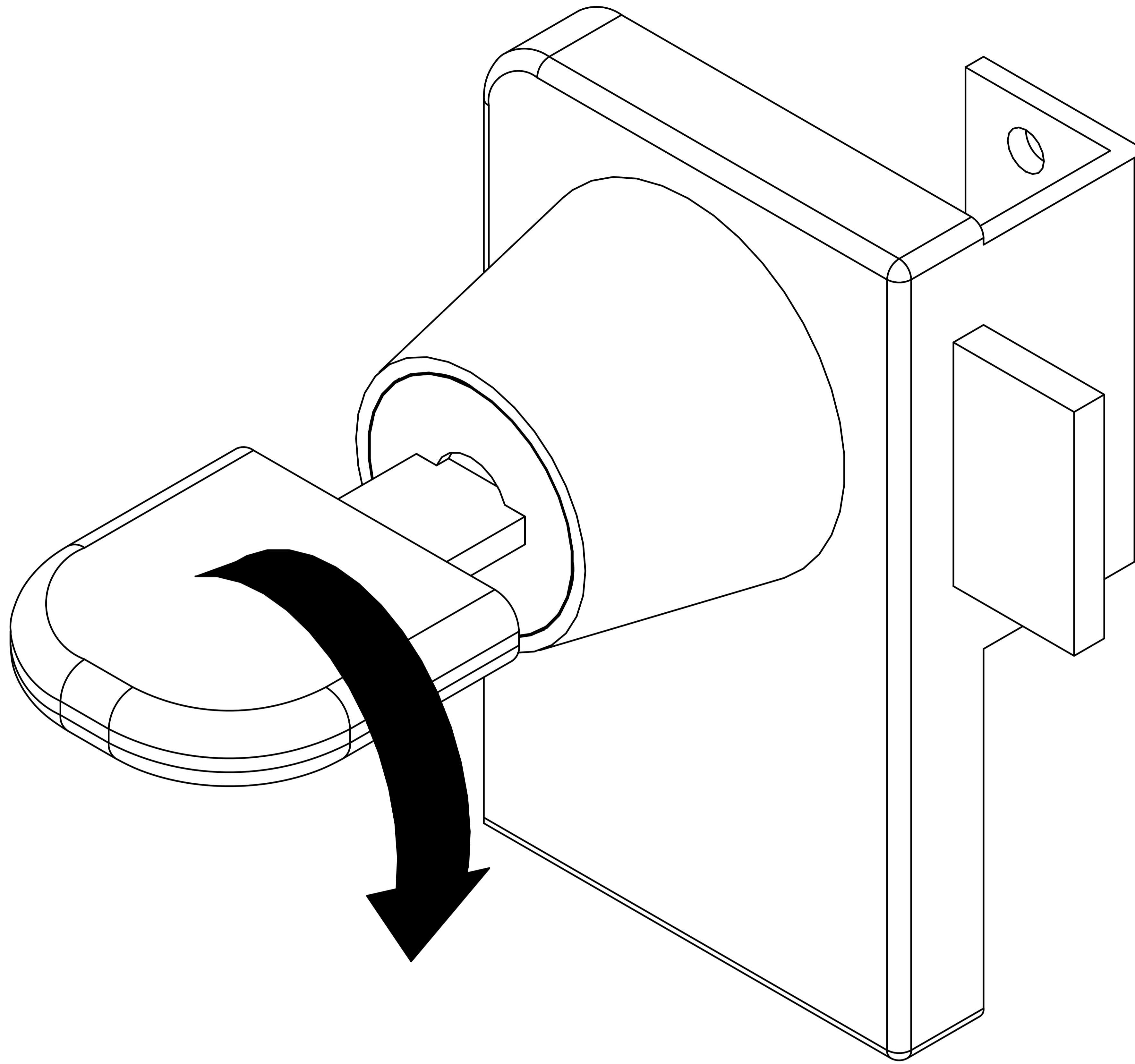


third

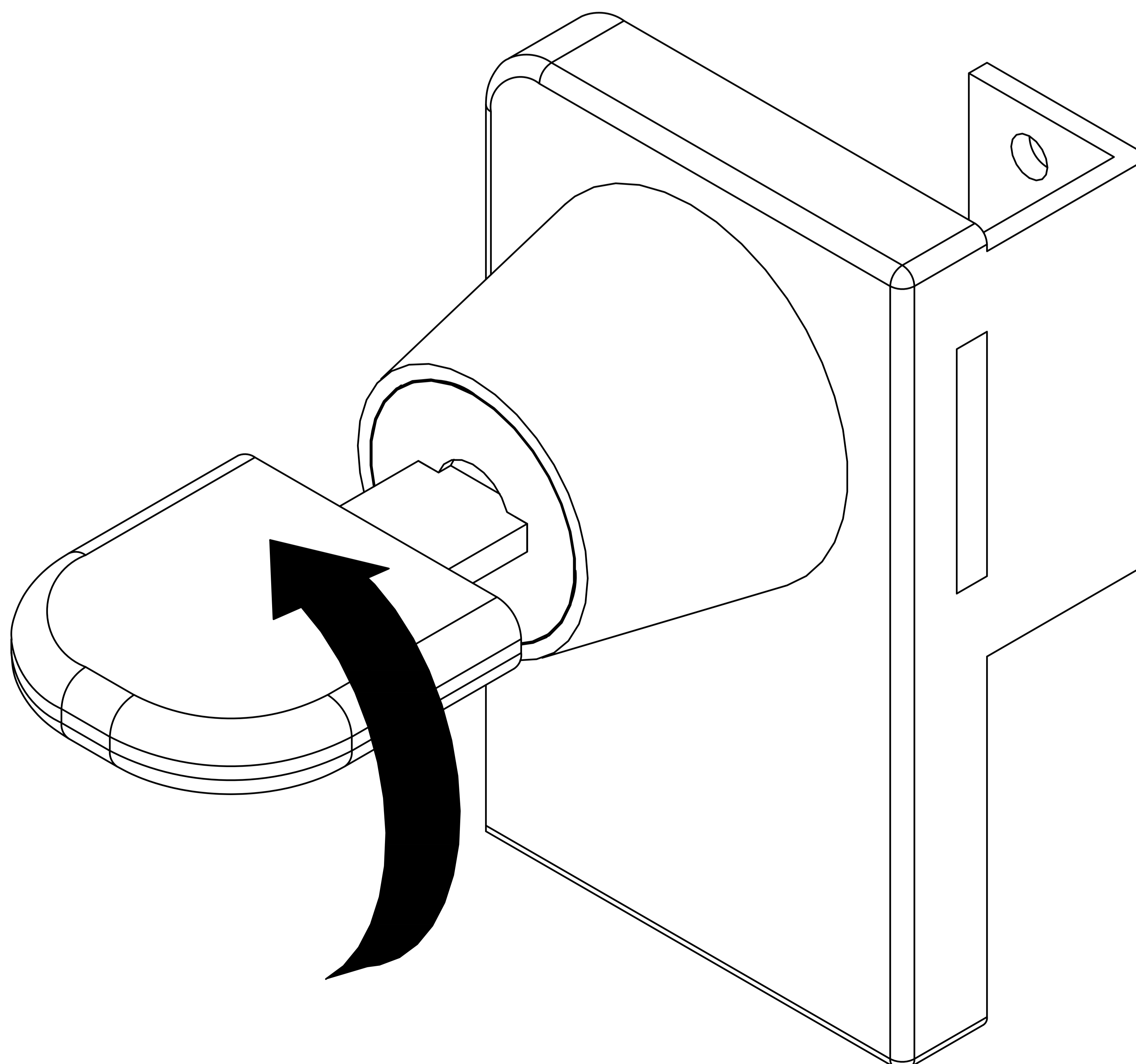
Locking screw



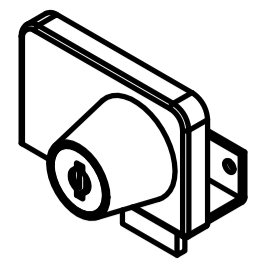
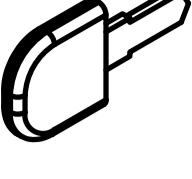
Tip: Turning the door lock to the right will close it

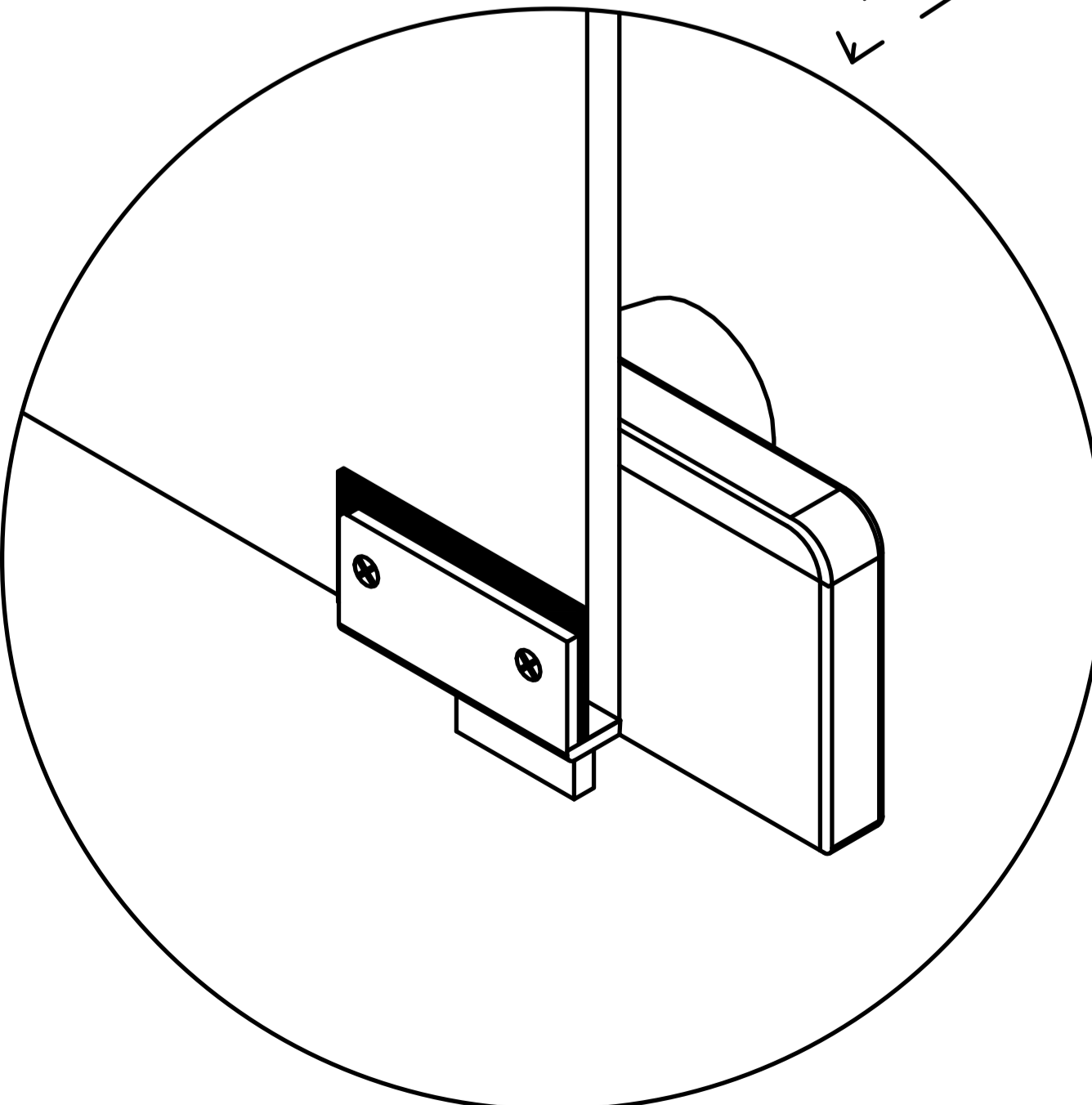
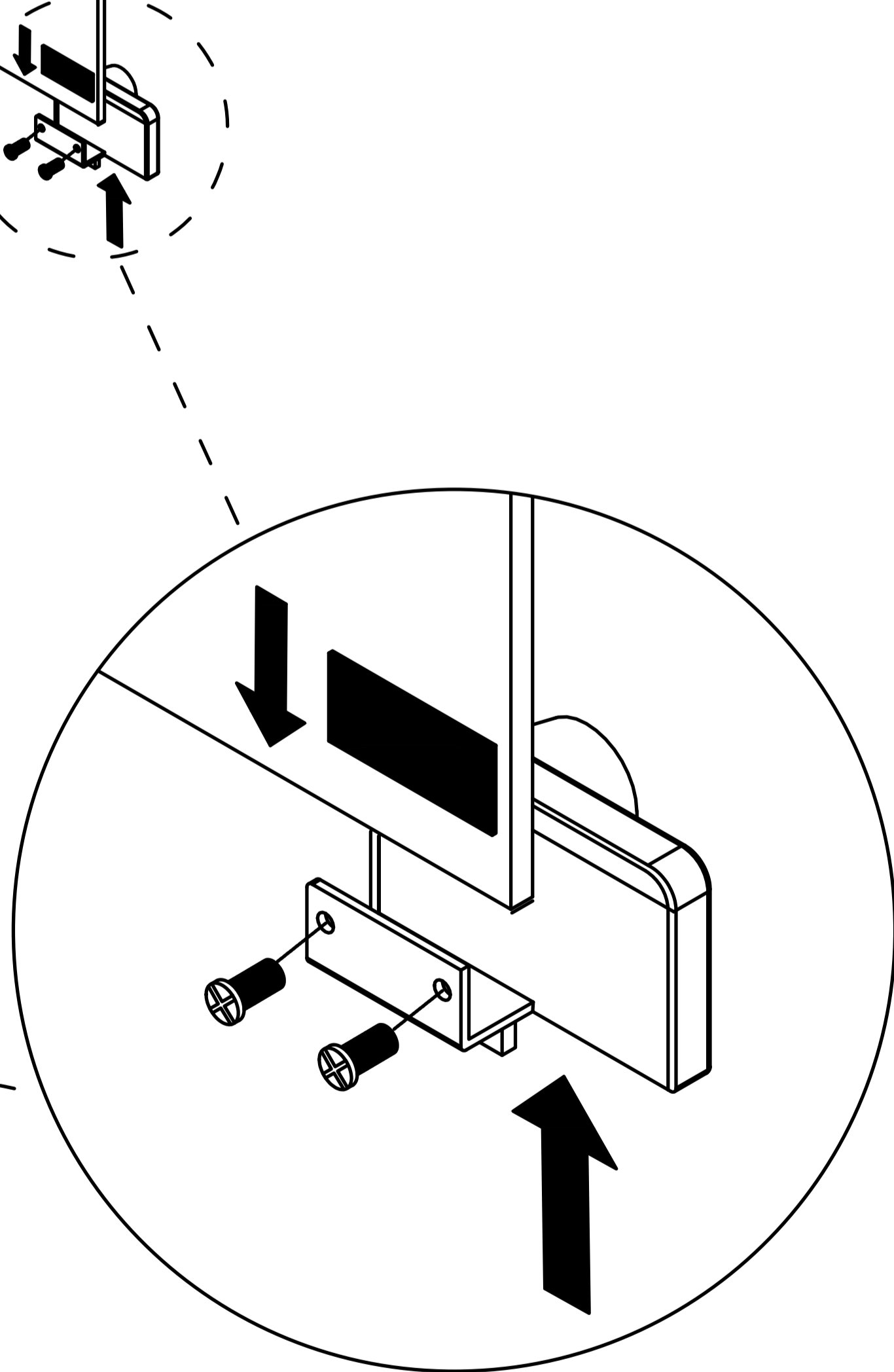
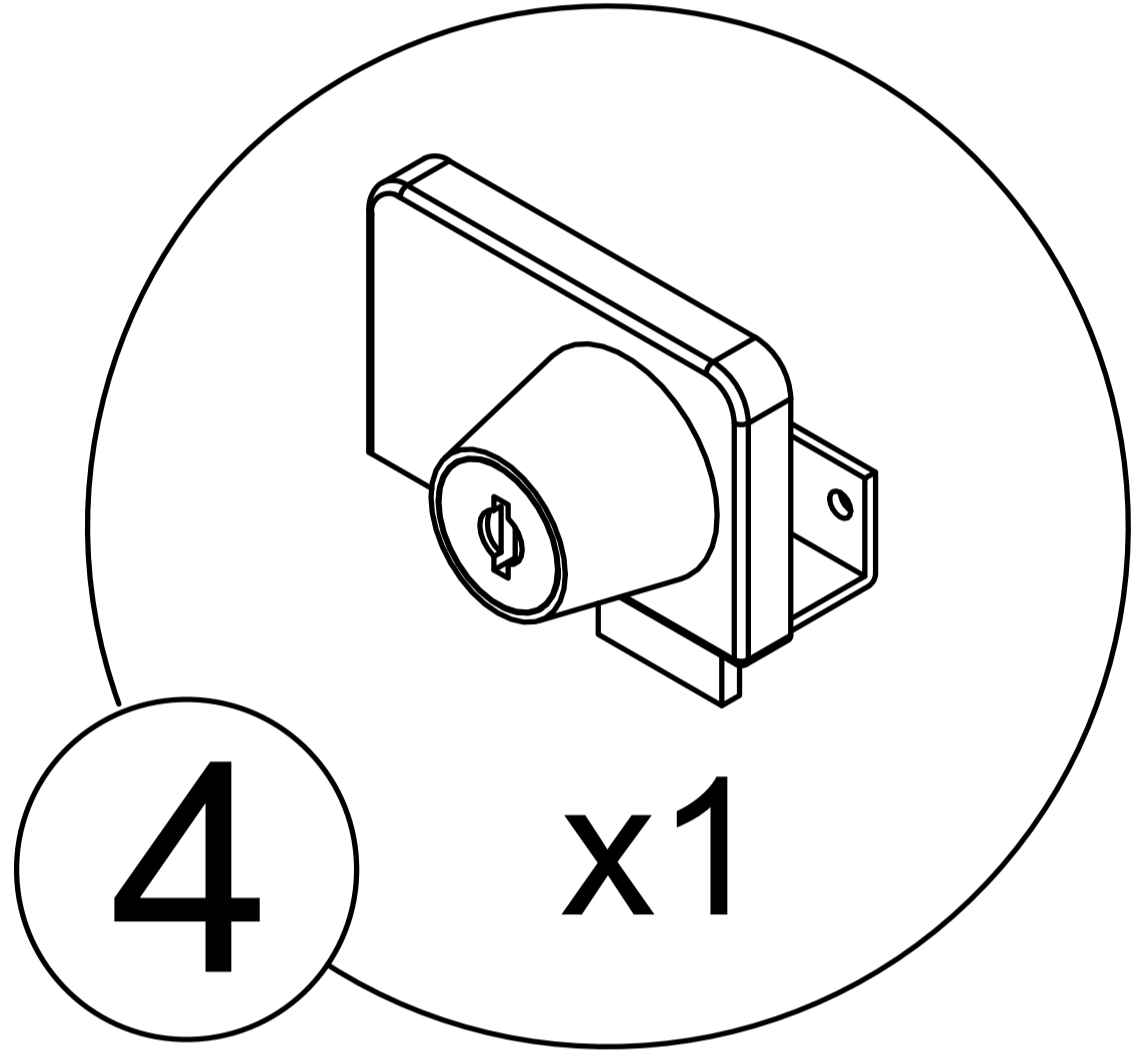
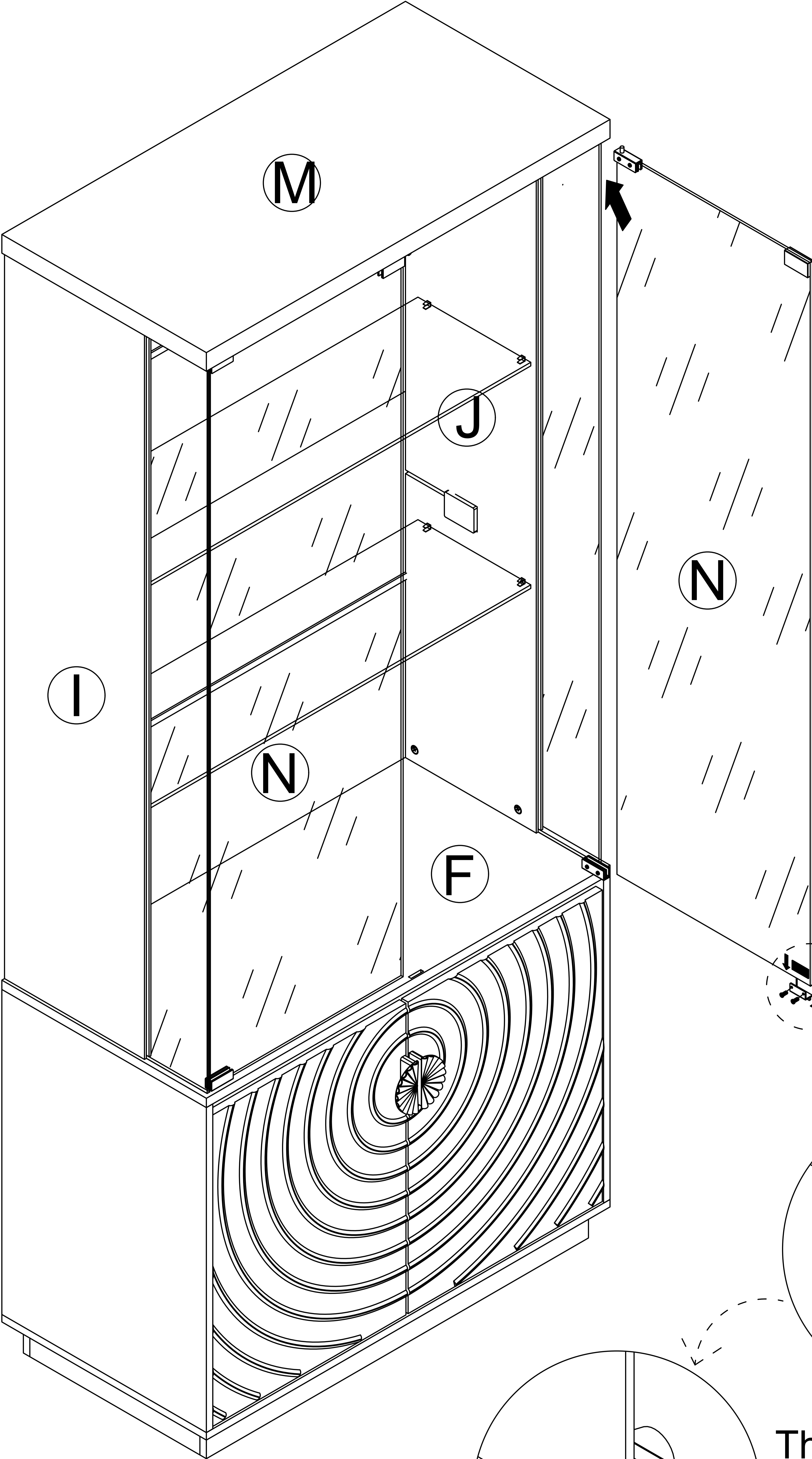


Tip: Turning the door lock to the left opens it



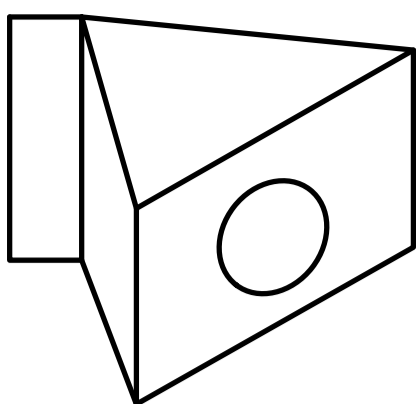
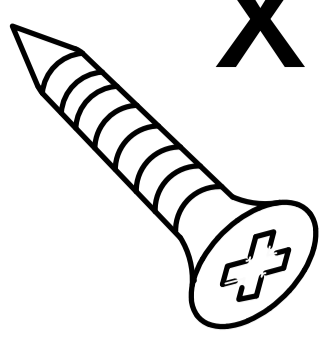
Step 40

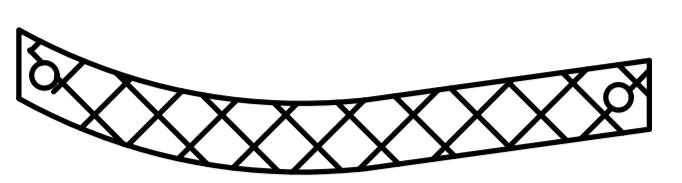
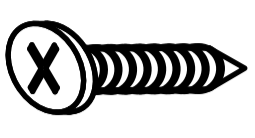

④   x1

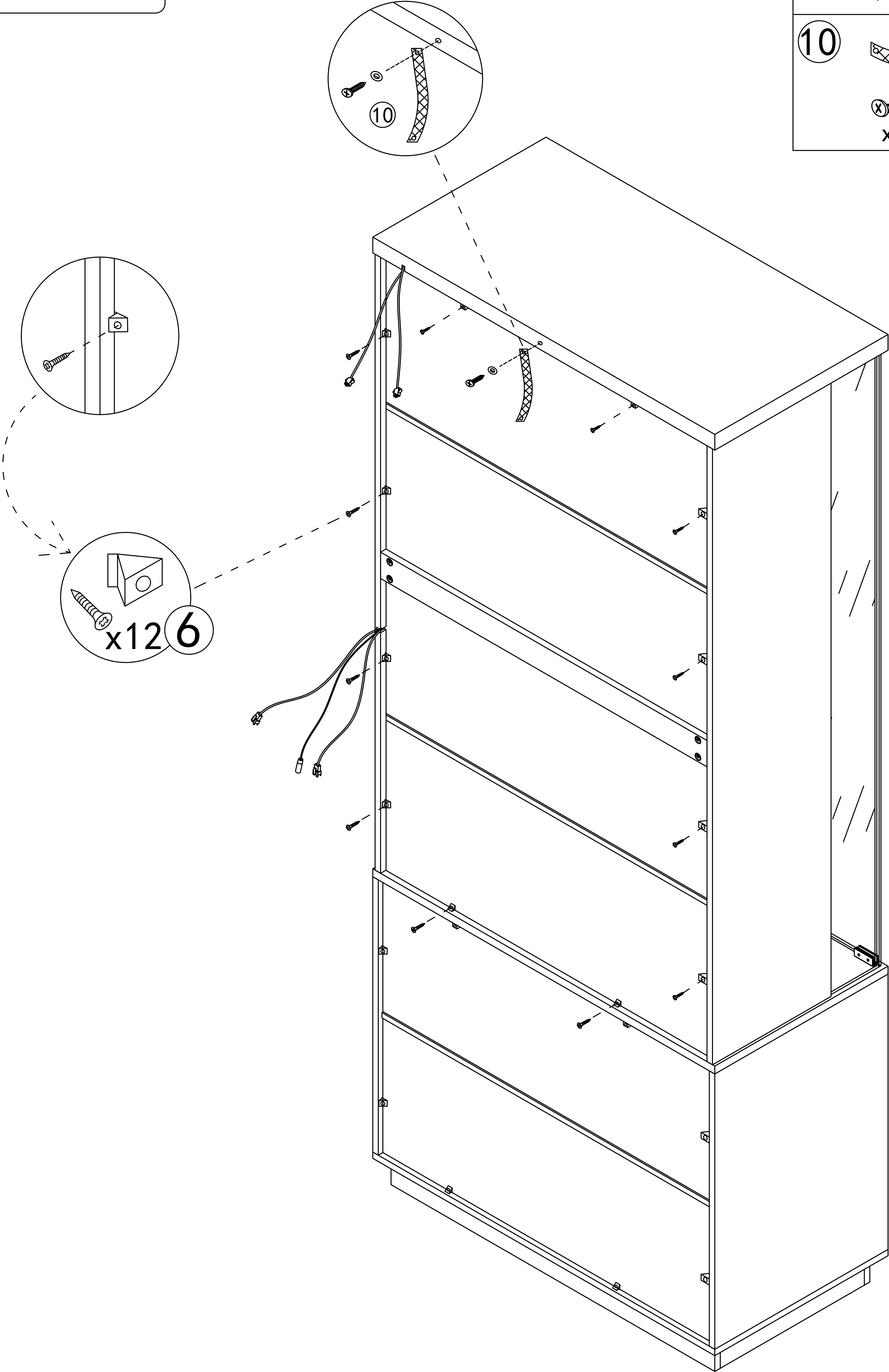


The black adhesive tape and the lock position should be aligned

Step 41

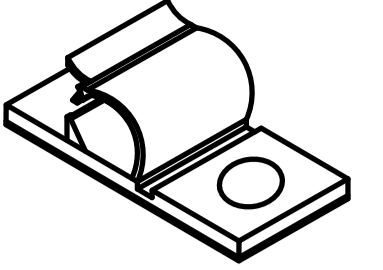
6  x12 

10  x1
 x1  x1

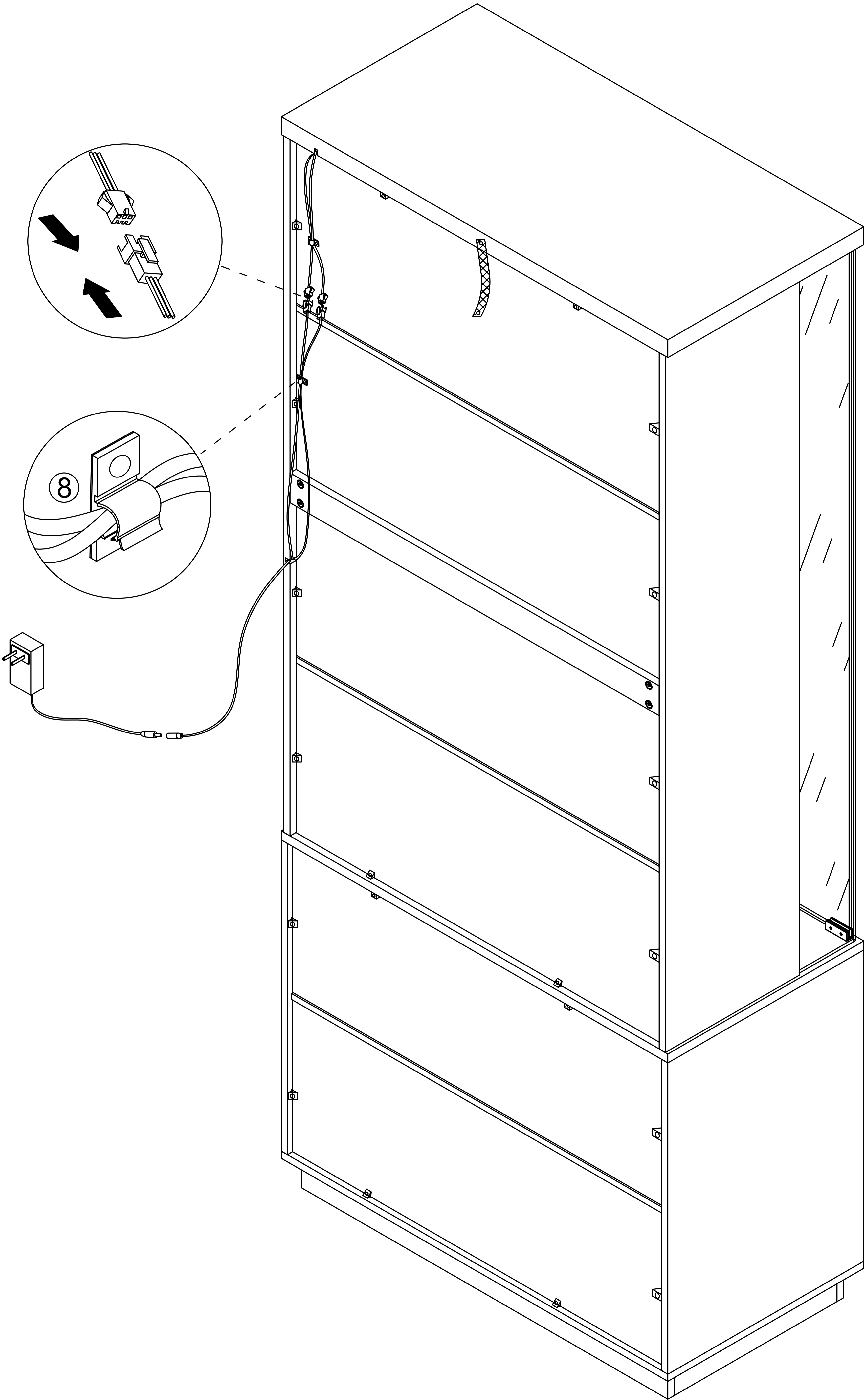


Step 42

8

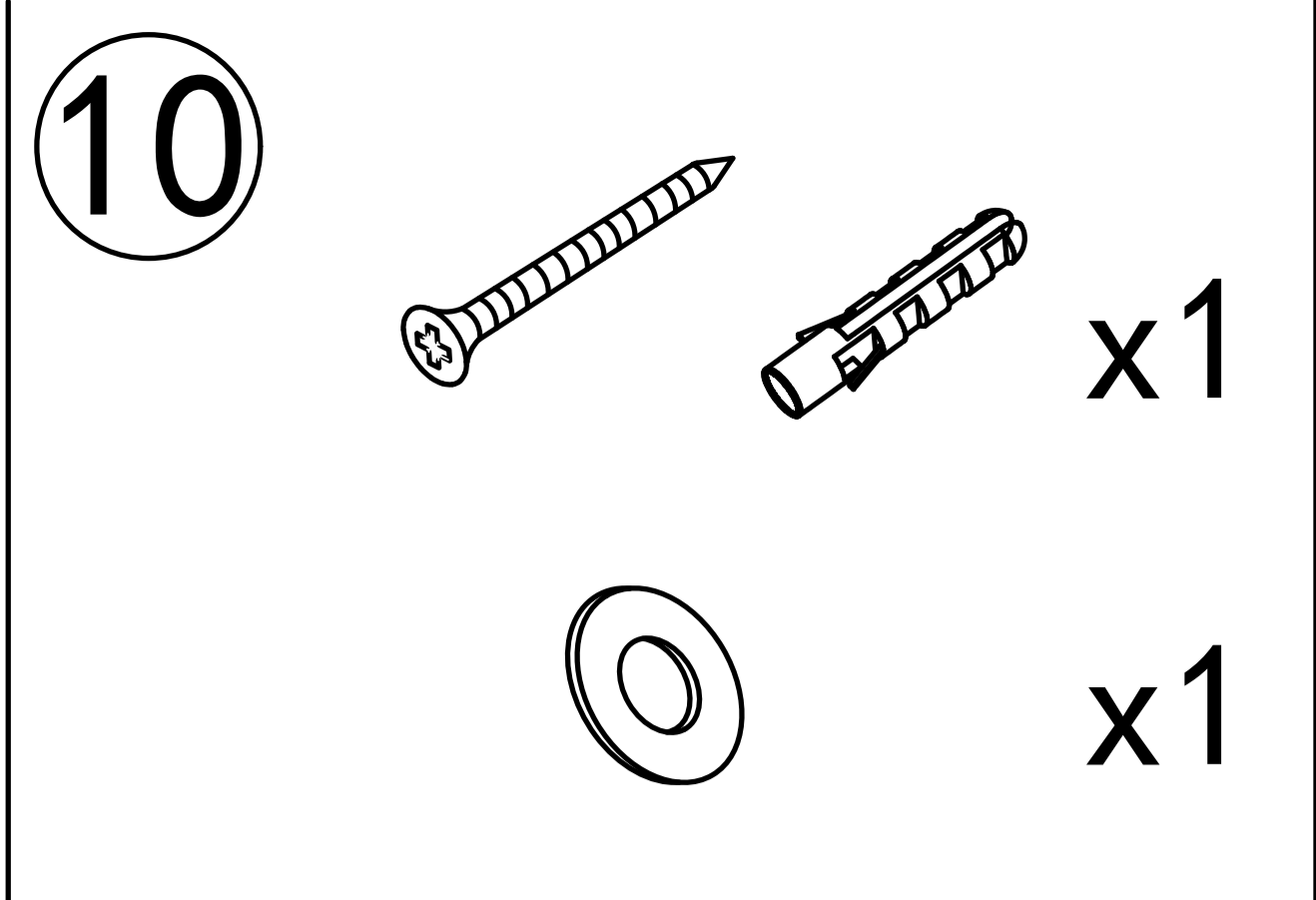
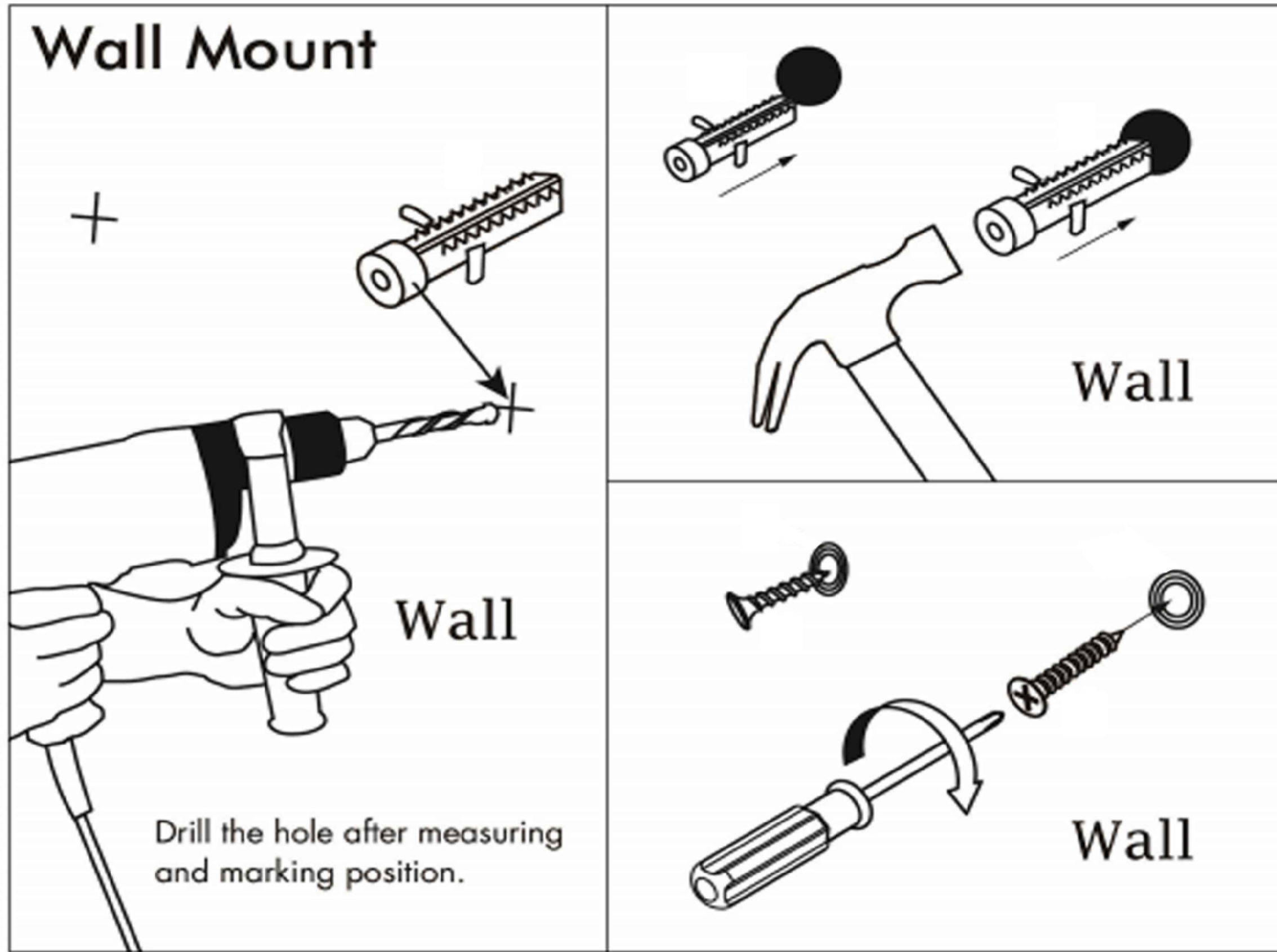


x2



Step 43

use a ruler to measure the approximate height of the product on the wall and then mark it with a pencil.

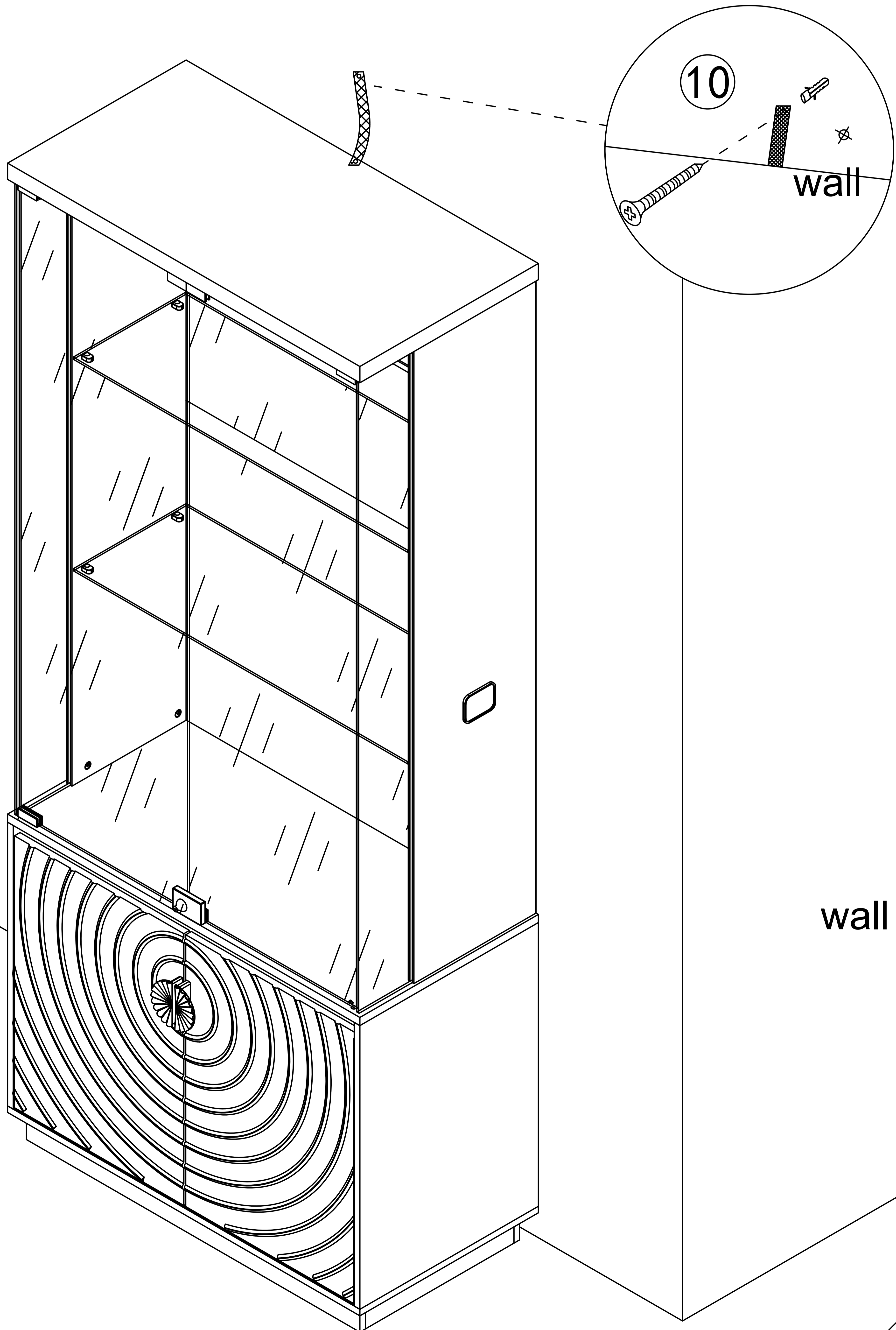


Put the expansion bolt into the hole.

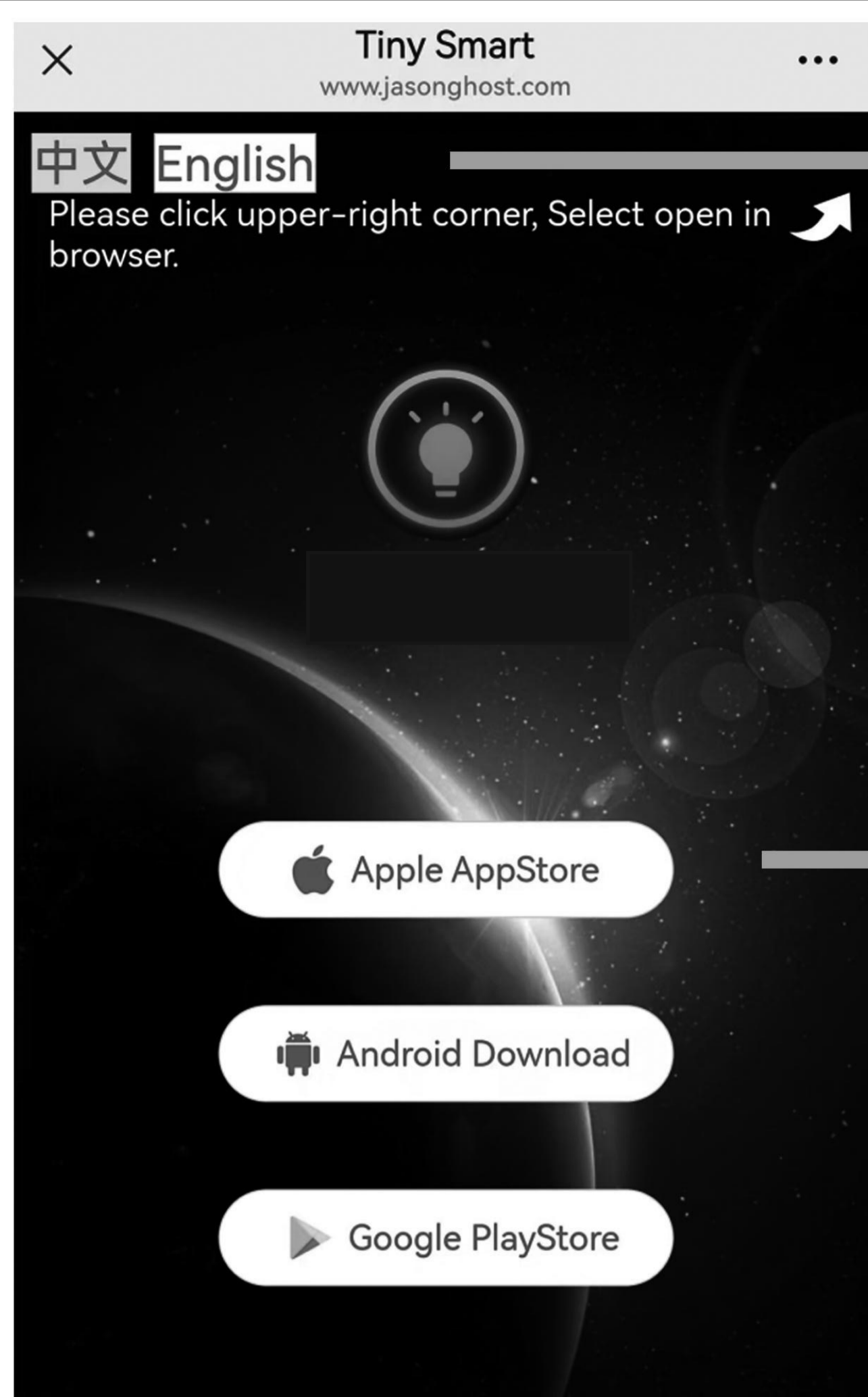
Pass the matching screw through the "anti-rewind" and tighten them to fix them on the wall.

Use a tape drill to make holes in the wall that are suitable for the product screws.

wall

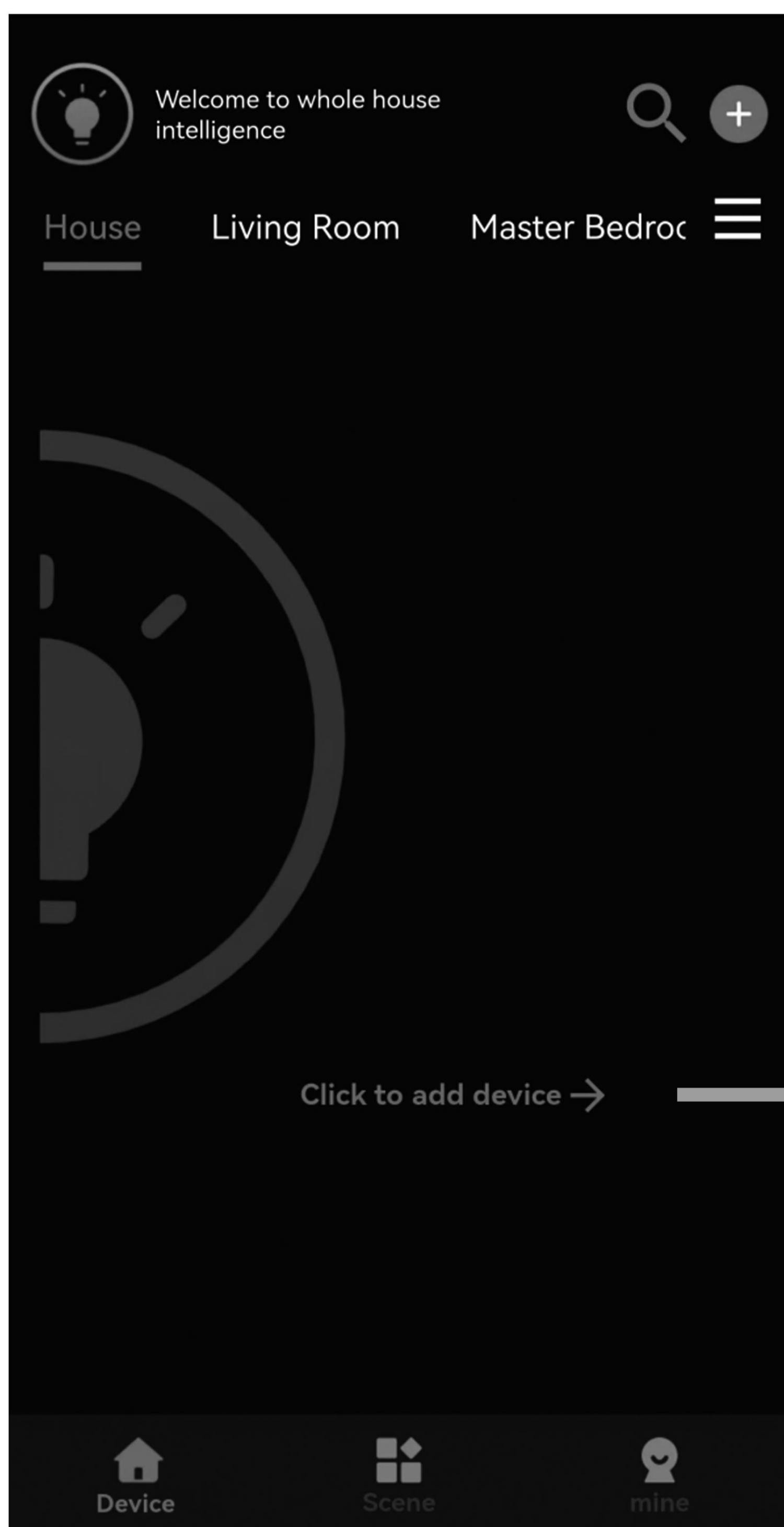


wall

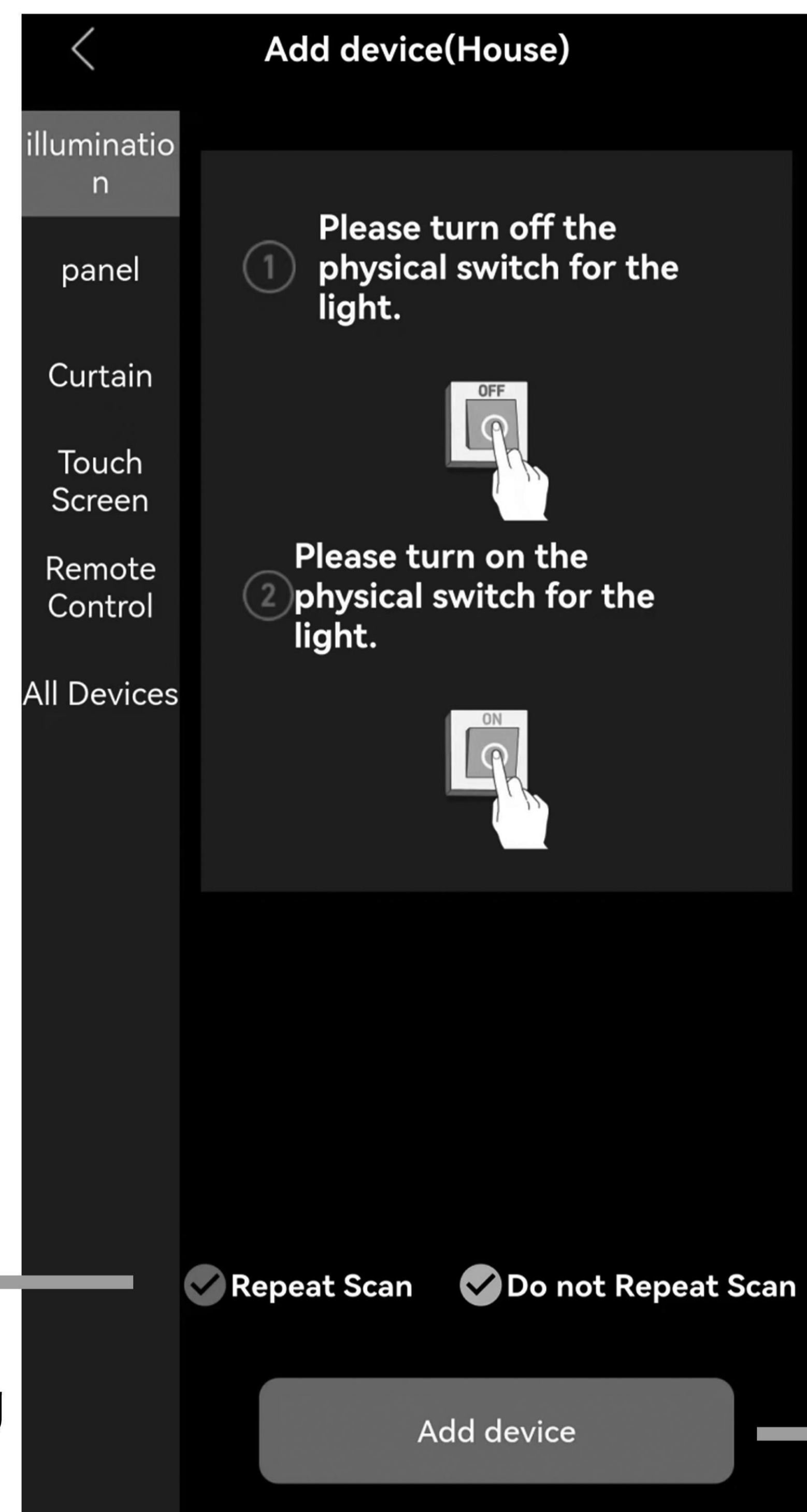


Select English Language

Select the corresponding device to download.
Note: If the download fails, please turn off the "Enhanced Protection" in the Pure Mode settings of the device.



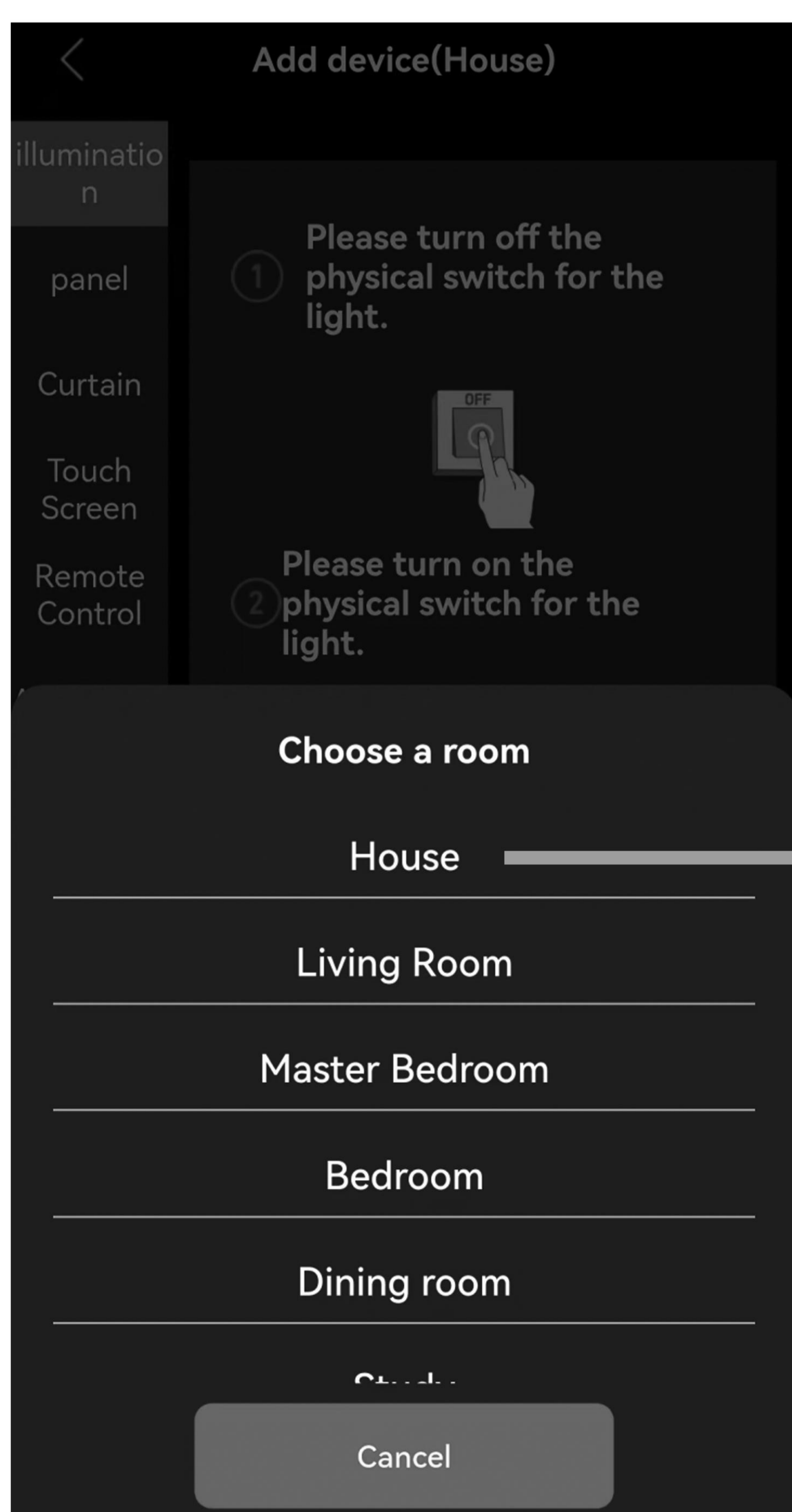
1



2

It turns blue after clicking

3

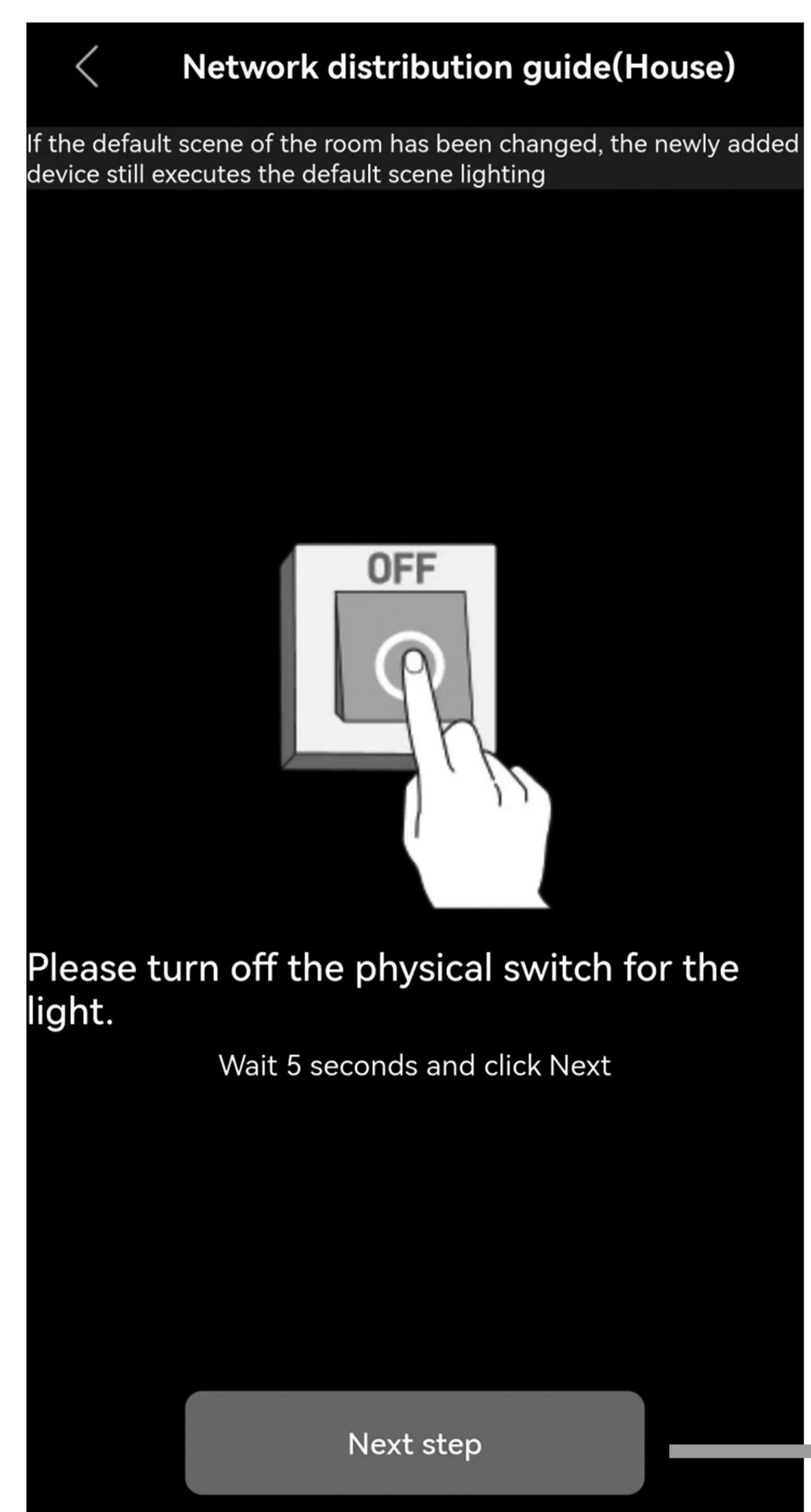


4



5

Unplug the smart box

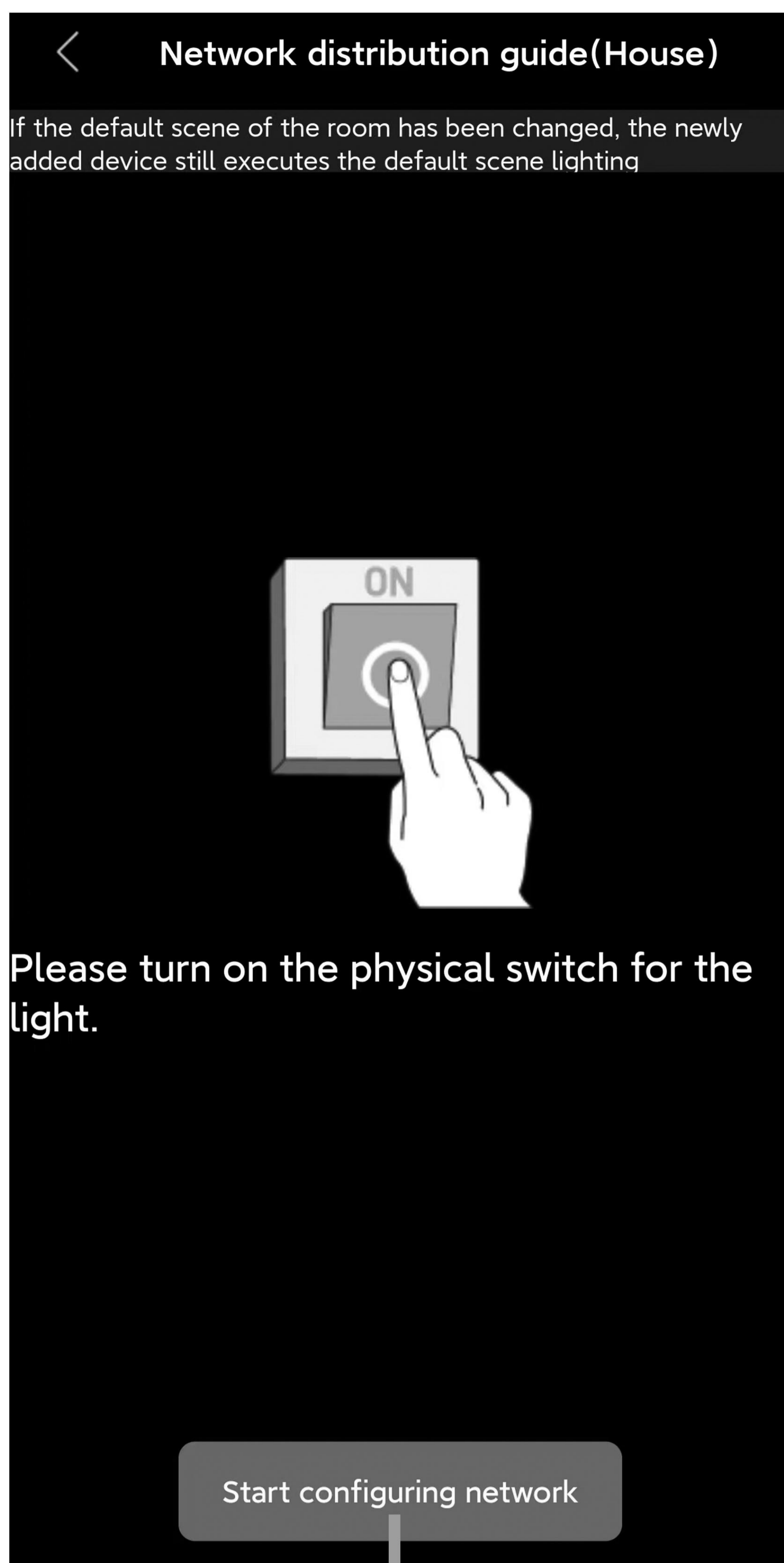


6

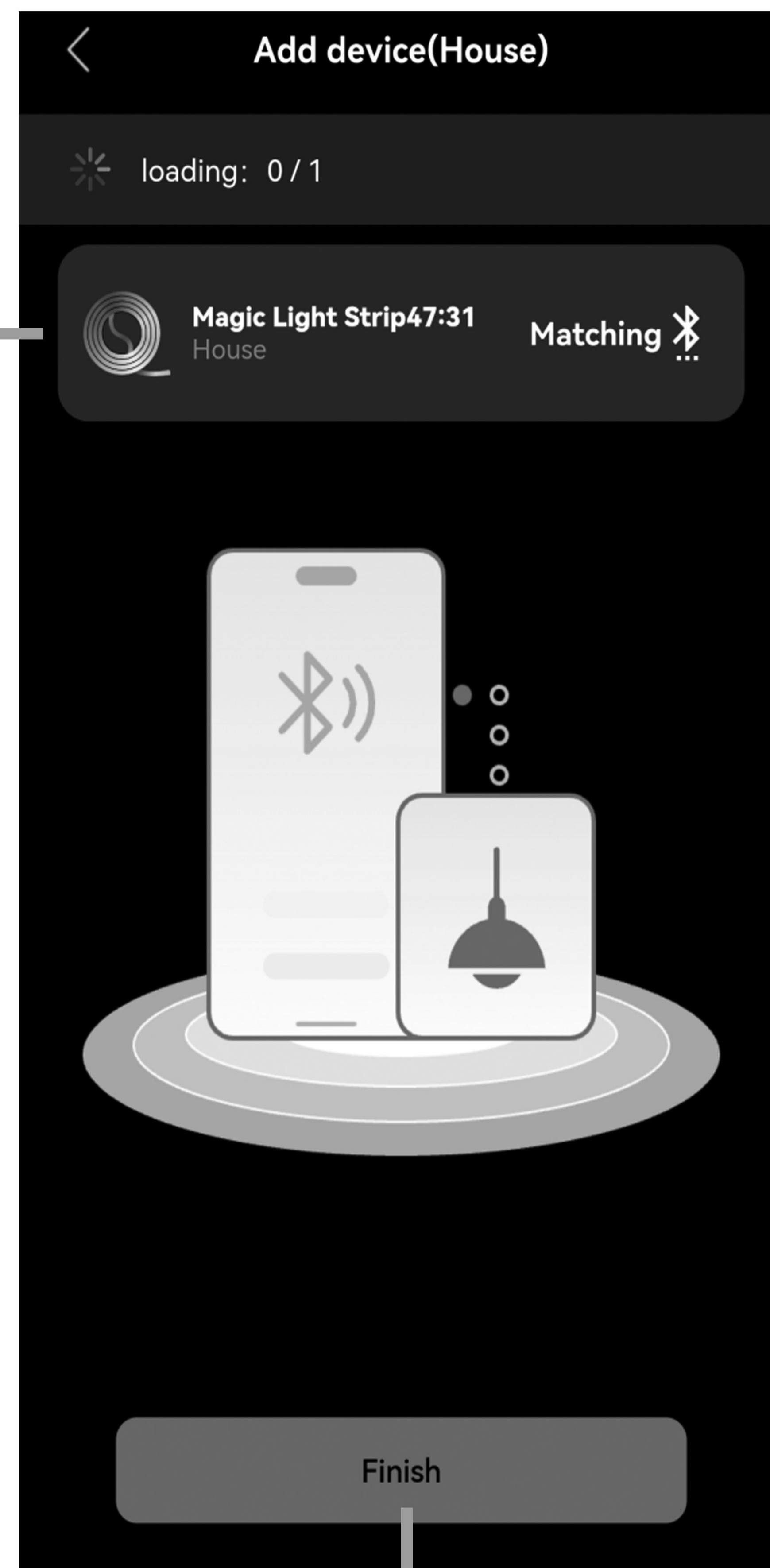
7 Plug in the smart box power plug.



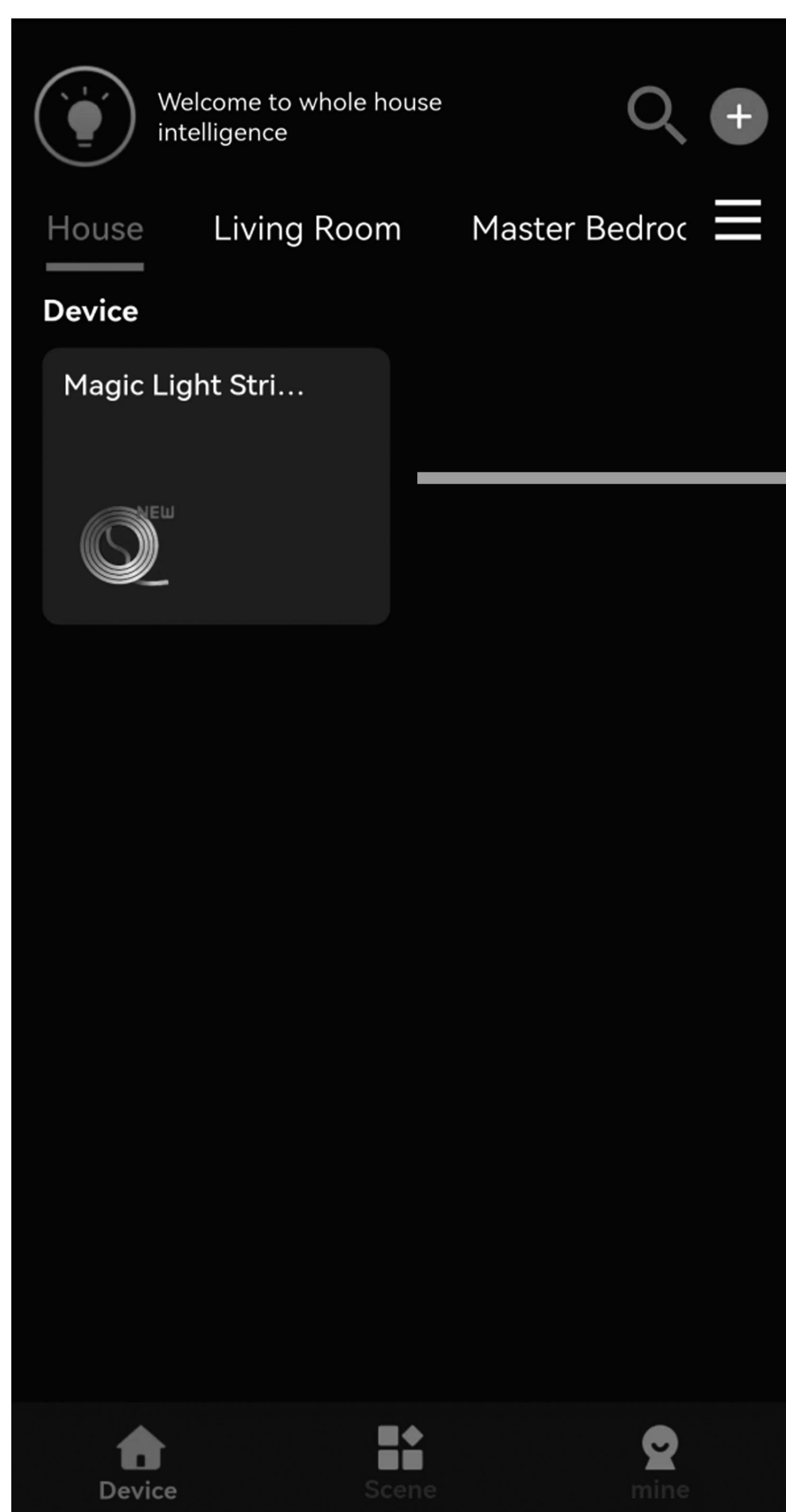
The appearance of this program icon indicates that the matching is complete



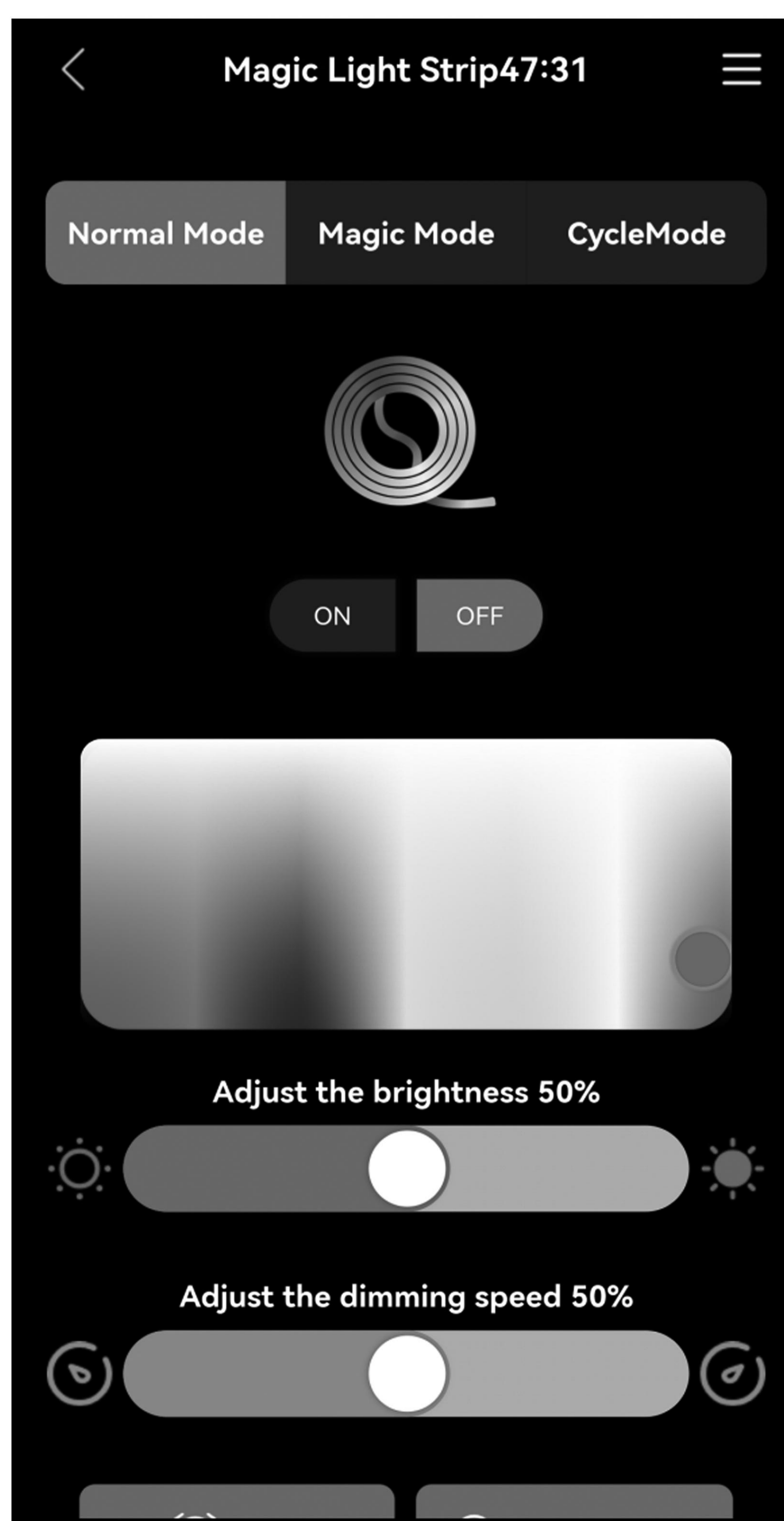
8



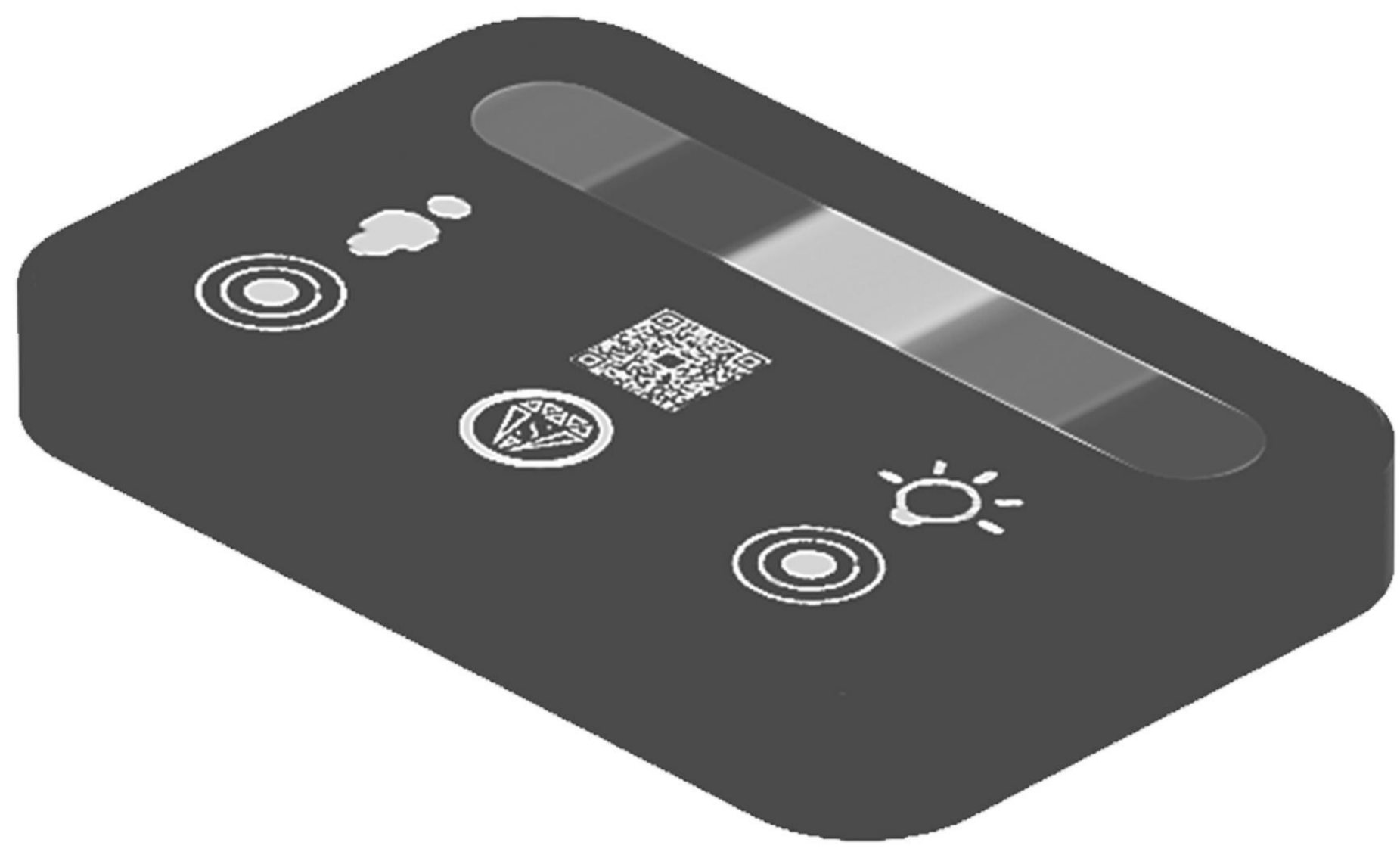
9



10



Now you can freely adjust the lighting according to your preferences



User's Guide

Thank you for purchasing this product.

To use this product, please plug it into a 12V DC power supply.

Please use if the product works normally after connecting to power.

Introduction

The box is an intelligent controller. With 4 touch buttons, it can turn ON/OFF the light and turn ON/OFF the induction function, change light colors, and adjust the light luminance.

The lights can be controlled through both the touch buttons and a dedicated app.

Operation

This touch button is used to turn the light on/off, adjust brightness, and switch the color of the lights.



i. Single Click: Turn the light on/off.

ii. Quick Double-Click: Switch between 7 static RGB colors.

iii. Long Press (2+ seconds): Adjust the light luminance.

This touch button is used to turn on/off the induction function.



A. touch this button once to turn on the induction function (indicator light on).

After the person leaves or remains stationary for more than 30 seconds, the light strip goes out; people and objects within a range of 1 meters move will light up the light strip.

B. Long press this button for 0.5 seconds to turn off the human body induction function (the indicator light goes out).

At this point, Keep the light strip as it was before turning off and no longer be affected by human and object activities.

By default, induction function is enabled when powered on.



This touch button is the Dynamic Phantom Color Mode, which includes 5 magical lighting effects.

Simply tap to cycle through the options. (Attention: This mode cannot adjust the brightness)



This area controls the color switching function.

You can tap or slide to any color bar position to change the color.

Color Palette



Induction Button

Phantom Color Mode Button

Master Switch Button



ATTENTION PLEASE

1. If there is no touch response suddenly, Re-plug the power to reset the touch static electricity.
2. If bubbles appear on the panel, remove the protective film.
3. If you have any questions when installing, please feel free to contact us. Thank you.