

Part # CS-HBOR XX+XX

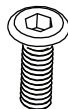
18-0404

PARTS

A



B



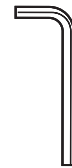
x4

C



x4

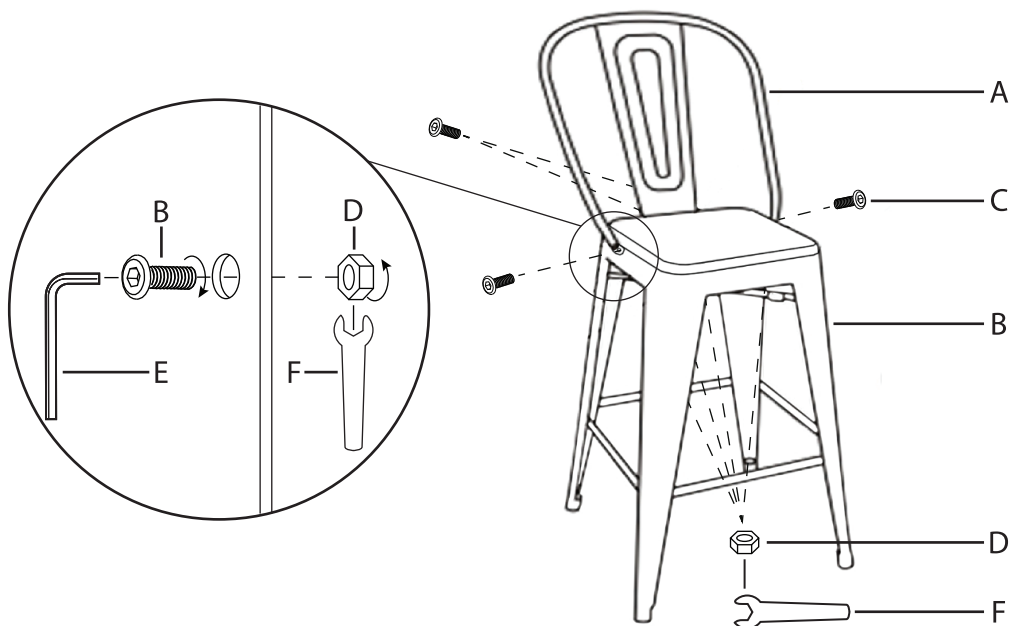
D



E



F

1**2**

Do not over tighten.
Do not use power tools to assemble.