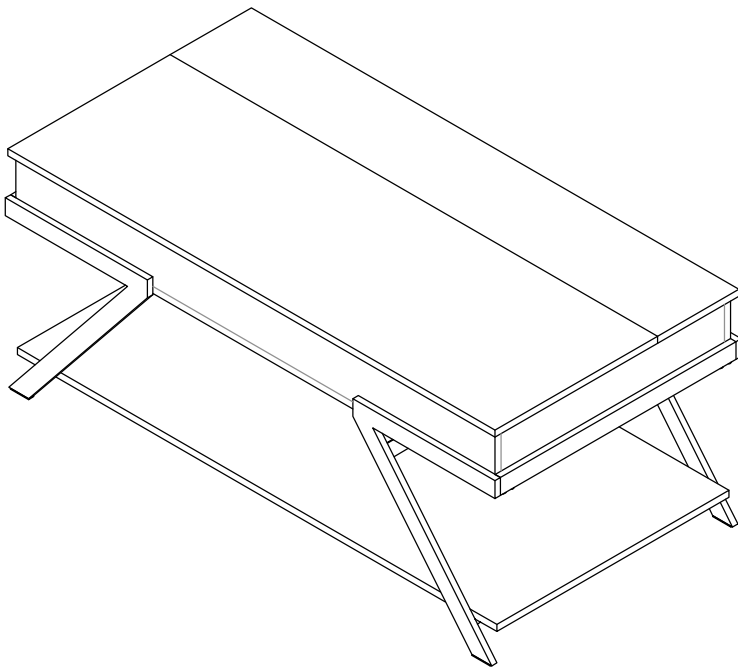
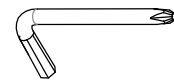


ASSEMBLY INSTRUCTIONS



TOOLS REQUIRED



Allen Wrench
(Included)



2 - People
Recommended

ASSEMBLY RATING



EASY —————> DIFFICULT

The Assembly Rating is a 5-point system showing the level of effort needed to assemble a specific product.



CHECK BEFORE STARTING

Are you missing anything?

Double-check all parts, hardware and accessories listed are all accounted for.

Check out our Quick Tips!

We recommend reviewing the pre-assembly handouts. Even experts need a refresher now and then!

Should we send any replacements?

Are there any irregularities or flaws in the parts? We can send replacements!

Prep Time!

Please review the assembly instructions and all diagrams prior to assembling.

PRE ASSEMBLY INTRODUCTION

We understand building ready-to-assemble furniture can be a challenging experience for some. To help avoid confusion, we have provided some helpful tips that may speed up the process.



Teamwork

ALWAYS have at least two people to help with transporting and assembling the product to avoid potential injury and/or damage.



Suitable Location

Assembling near the area of the intended location is highly recommended.



Sufficient Space

Make sure you have enough space to move around during the assembly.



Avoid Scratches

Use cardboard, blankets or a carpeted area while assembling furniture to prevent to prevent scratches and damages.



Flat Surface

Make sure the furniture rests on a flat and level surface with each leg evenly touching the floor.

ASSEMBLY AND CARE ADVICE



FAILURE TO FOLLOW THE GUIDELINES BELOW MAY RESULT IN INJURY AND/OR PROPERTY DAMAGE.



Position each part correctly and insert screws or bolts into their respective holes.



Turn clockwise to tighten and only tighten when step is completed or when instructed to do so.



Use the appropriate hand tools or power tools for assembly. Select steps, such as tightening screws and/or bolts, may require hand tools to avoid causing damage during assembly.



Save the instructions and store any supplied tools for later maintenance.



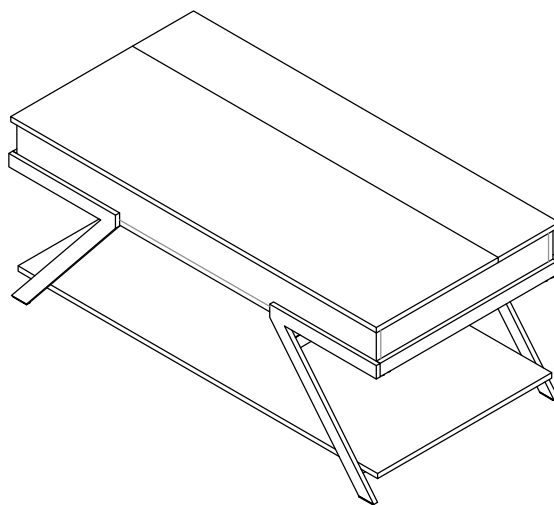
After two weeks, check and tighten any loose hardware and repeat again every six months thereafter.

IT IS THE USER'S RESPONSIBILITY TO MAINTAIN THE FURNITURE. THE HARDWARE MAY LOOSEN OVER TIME AND MAY CAUSE THE FURNITURE TO BE WOBBLY AND UNABLE TO SUPPORT ITS INTENDED WEIGHT CAPACITY. THIS MAY LEAD TO COLLAPSE AND MAY CAUSE SERIOUS INJURY.

COFFEE TABLE

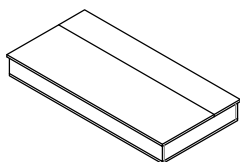


- Please keep instructions for future reference.
- Check the quantity and irregularity of parts and hardware before you start.



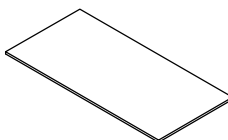
PARTS

#1 1pc



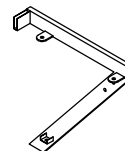
TOP BOX

#2 1pc



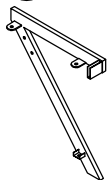
SHELF

#3 2pcs



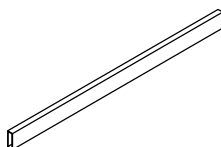
LEG 1

#4 2pcs



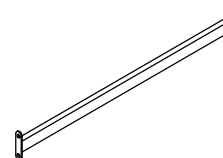
LEG 2

#5 2pcs



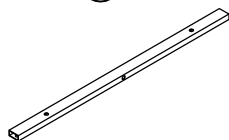
TOP CROSSBAR

#6 2pcs



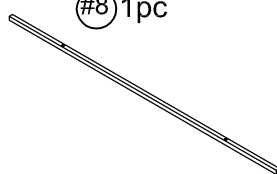
TOP SUPPORT CROSSBAR

#7 2pcs



BOTTOM CROSSBAR

#8 1pc

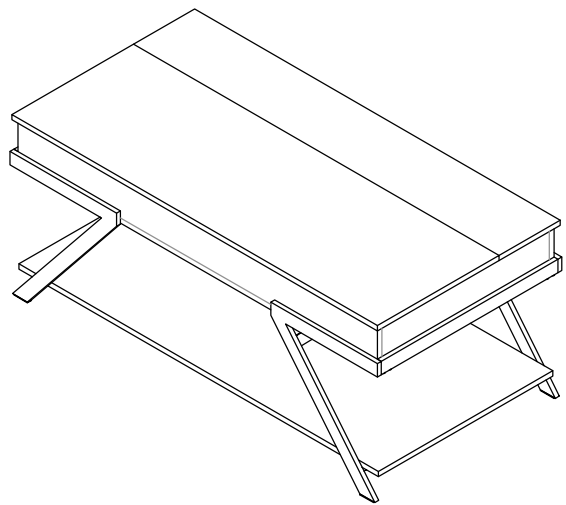


BOTTOM SUPPORT CROSSBAR

COFFEE TABLE



- Please keep instructions for future reference.
- Check the quantity and irregularity of parts and hardware before you start.



HARDWARE

#A 28pcs



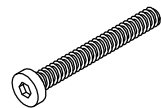
Short Bolt 1/4" x 12mm

#B 4pcs



Medium Bolt 1/4" x 22mm

#C 2pcs



Long Bolt 1/4" x 47mm

#D 2pcs



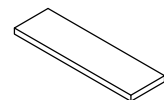
Screw 4 x 25mm

#E 4pcs



Washer ϕ 16mm

#F 4pcs



Felt Pad

#G 1pc



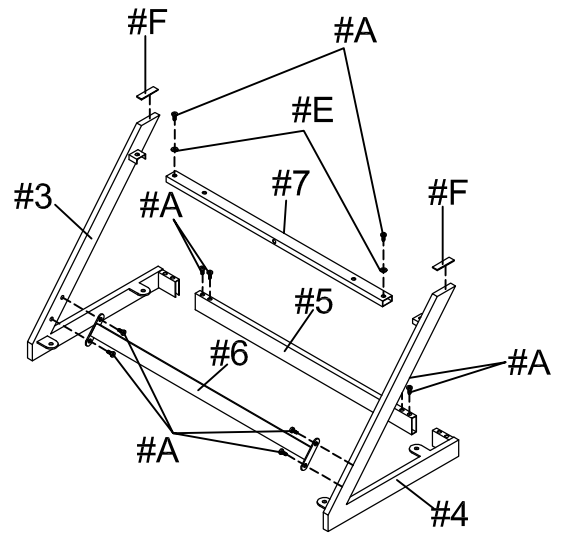
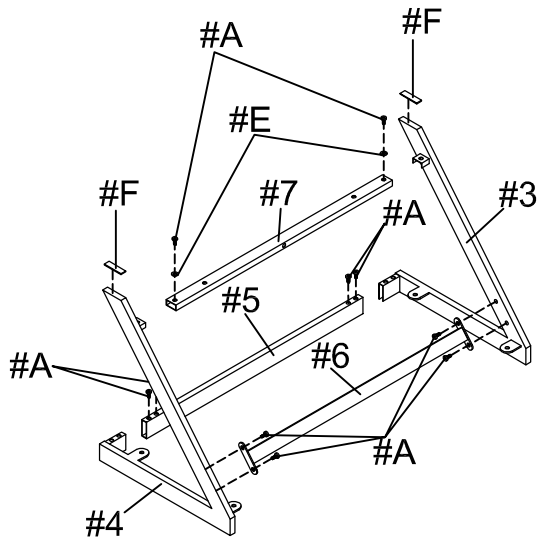
Allen Wrench 4mm

ASSEMBLY INSTRUCTIONS

1

Part #3 x2pcs Hardware #A x20pcs
 Part #4 x2pcs Hardware #E x4pcs
 Part #5 x2pcs Hardware #F x4pcs
 Part #6 x2pcs
 Part #7 x2pcs

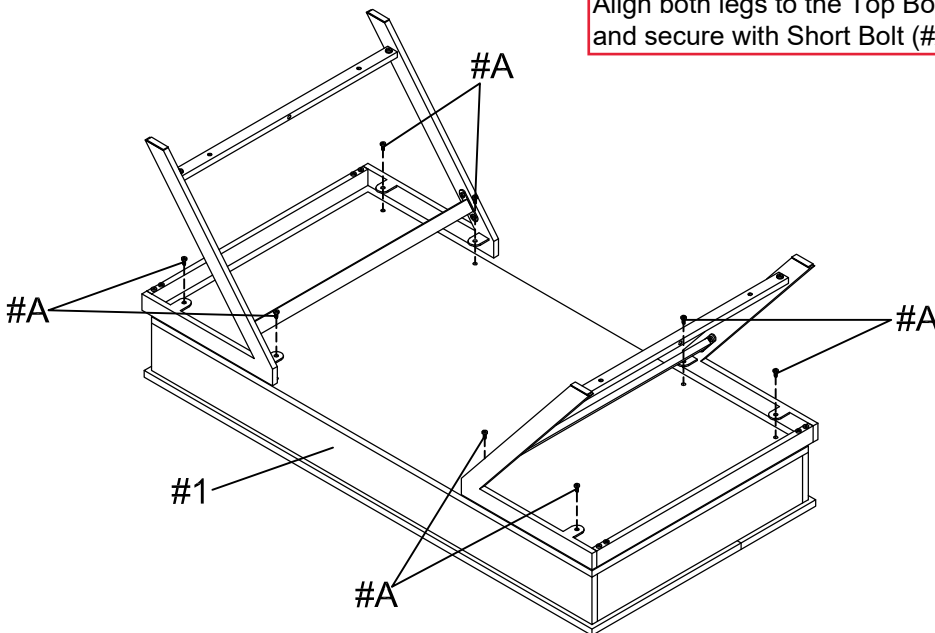
I. Align the Top Crossbar (#5) to the Leg 1 (#3) and Leg 2 (#4). Secure using Short Bolt (#A).
 II. Align the Top Support Bar (#6) to the Leg1 (#3) and Leg 2 (#4). Secure using Short Bolts(#A).
 III. Align the Bottom Crossbar (#7) to the Leg1 (#3) and Leg 2 (#4). Secure using Short Bolt (#A) with Washer (#E).
 IV. Add Felt pads (#F) to Leg 1 (#3) and Leg 2 (#4).



2

Part #1 x1pc
 Hardware #A x8pcs

Align both legs to the Top Box (#1) and secure with Short Bolt (#A).

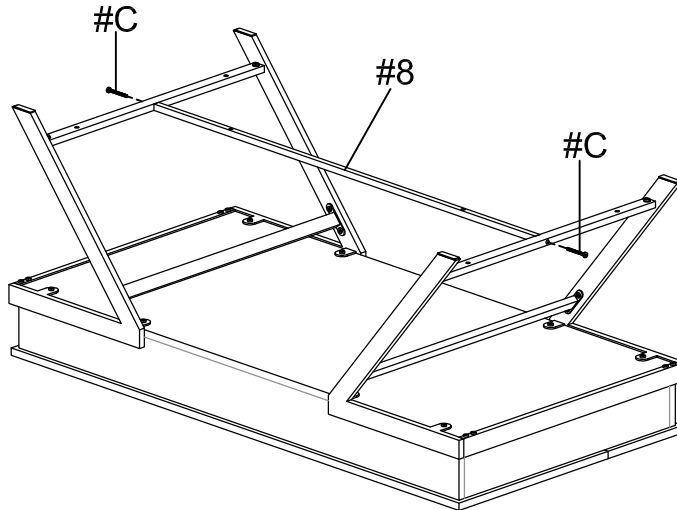


ASSEMBLY INSTRUCTIONS

3

Part #8 x1pc
Hardware #C x2pcs

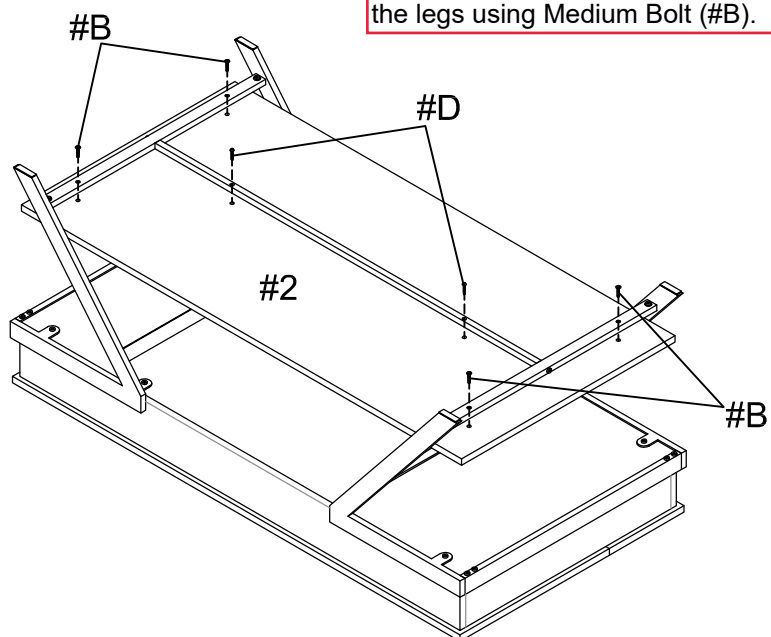
Attach the Bottom Support Crossbar and secure using Long Bolt (#C).



4

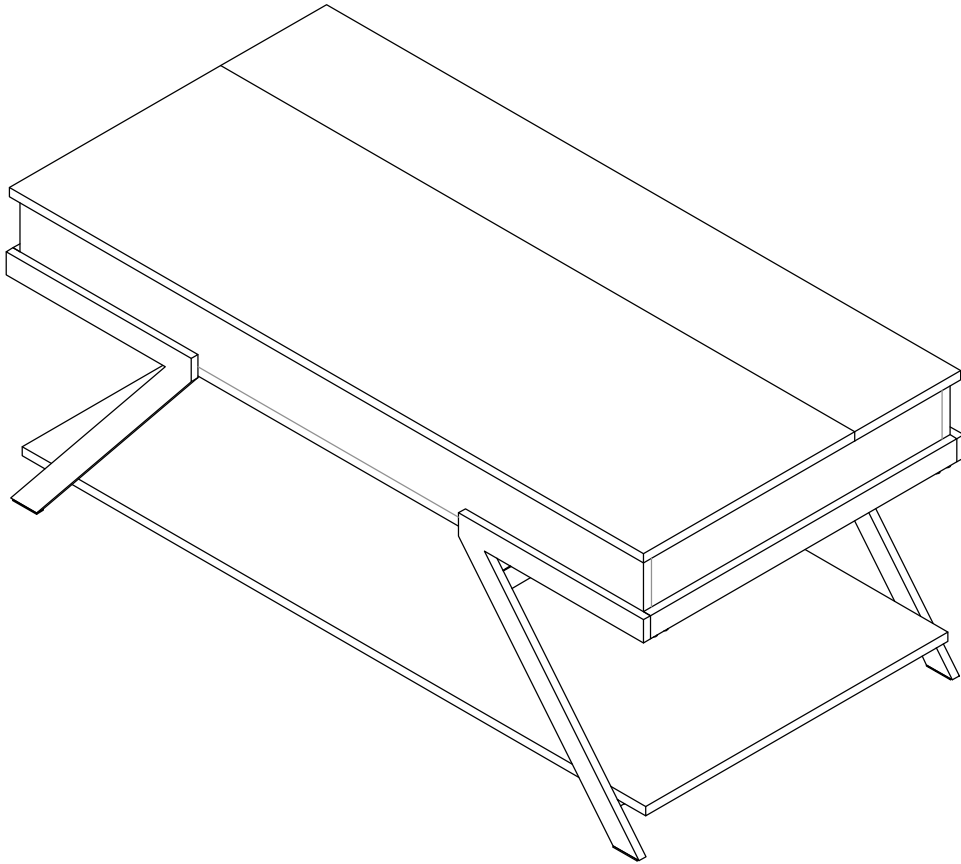
Part #2 x1pc
Hardware #B x4pcs
Hardware #D x2pcs

Align the Shelf (#2) to the legs and the Bottom Support Crossbar (#8). Secure to support bar using Screw (#D). Secure to the legs using Medium Bolt (#B).



ASSEMBLY INSTRUCTIONS

5



ASSEMBLY COMPLETED



Please ensure the furniture rests on an even and flat surface. If the product wobbles or feels loose, double-check all bolts and/or screws are properly tightened and secured.



Keep this handy!

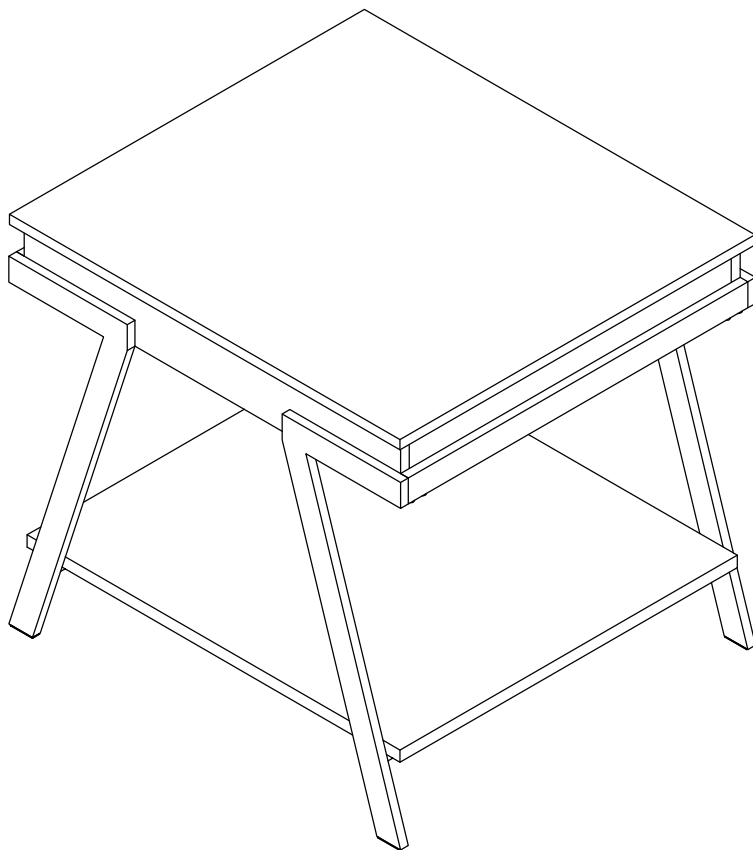
Please retain this instruction manual and any order-related information for future reference.



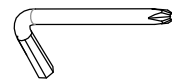
Lift, don't drag!

To avoid damage to product please always LIFT the product when transporting or adjusting the placement.

ASSEMBLY INSTRUCTIONS



TOOLS REQUIRED



Allen Wrench
(Included)



2 - People
Recommended

ASSEMBLY RATING



EASY —————> DIFFICULT

The Assembly Rating is a 5-point system showing the level of effort needed to assemble a specific product.



CHECK BEFORE STARTING

Are you missing anything?

Double-check all parts, hardware and accessories listed are all accounted for.

Check out our Quick Tips!

We recommend reviewing the pre-assembly handouts. Even experts need a refresher now and then!

Should we send any replacements?

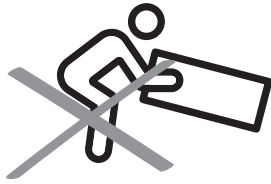
Are there any irregularities or flaws in the parts? We can send replacements!

Prep Time!

Please review the assembly instructions and all diagrams prior to assembling.

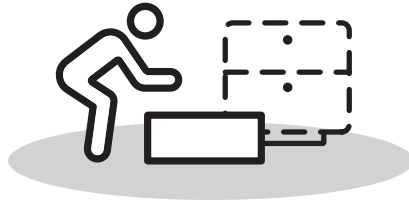
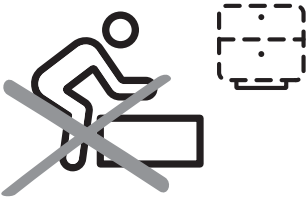
PRE ASSEMBLY INTRODUCTION

We understand building ready-to-assemble furniture can be a challenging experience for some. To help avoid confusion, we have provided some helpful tips that may speed up the process.



Teamwork

ALWAYS have at least two people to help with transporting and assembling the product to avoid potential injury and/or damage.



Suitable Location

Assembling near the area of the intended location is highly recommended.



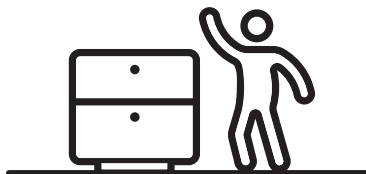
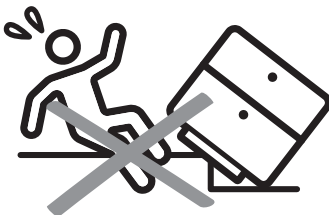
Sufficient Space

Make sure you have enough space to move around during the assembly.



Avoid Scratches

Use cardboard, blankets or a carpeted area while assembling furniture to prevent to prevent scratches and damages.



Flat Surface

Make sure the furniture rests on a flat and level surface with each leg evenly touching the floor.

ASSEMBLY AND CARE ADVICE



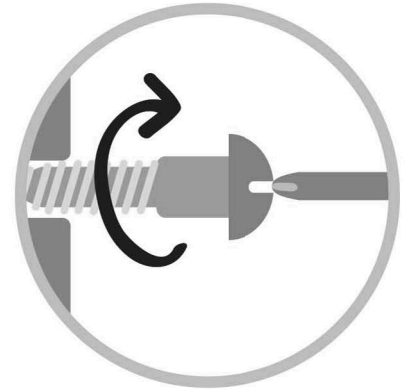
FAILURE TO FOLLOW THE GUIDELINES BELOW MAY RESULT IN INJURY AND/OR PROPERTY DAMAGE.



Position each part correctly and insert screws or bolts into their respective holes.



Use the appropriate hand tools or power tools for assembly. Select steps, such as tightening screws and/or bolts, may require hand tools to avoid causing damage during assembly.



Turn clockwise to tighten and only tighten when step is completed or when instructed to do so.



Save the instructions and store any supplied tools for later maintenance.



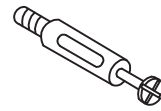
After two weeks, check and tighten any loose hardware and repeat again every six months thereafter.

IT IS THE USER'S RESPONSIBILITY TO MAINTAIN THE FURNITURE. THE HARDWARE MAY LOOSEN OVER TIME AND MAY CAUSE THE FURNITURE TO BE WOBBLY AND UNABLE TO SUPPORT ITS INTENDED WEIGHT CAPACITY. THIS MAY LEAD TO COLLAPSE AND MAY CAUSE SERIOUS INJURY.

CAM LOCK FASTENER ASSEMBLY INSTRUCTIONS

Note :

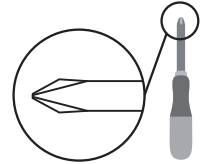
Every cam lock bolt must have a cam lock connector in order to fasten the parts together.



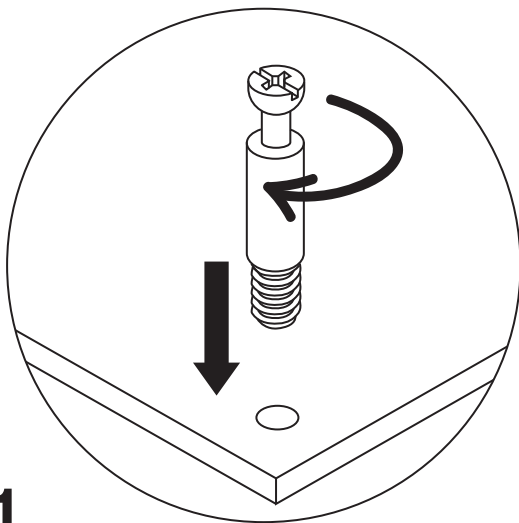
cam bolt



cam lock

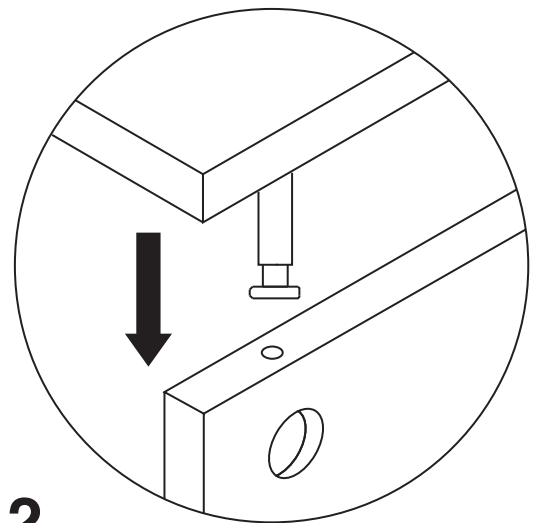


screwdriver



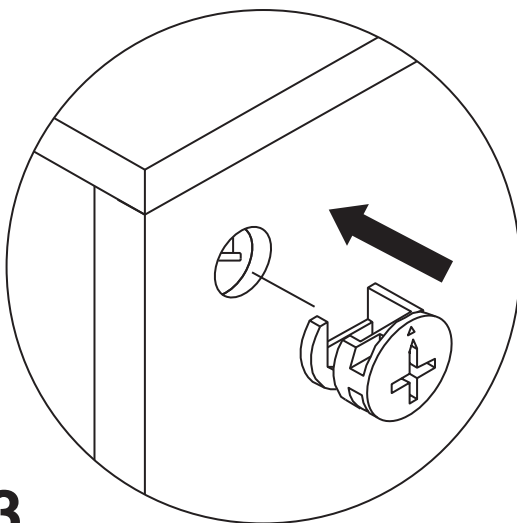
1

Screw the cam bolt into panel.



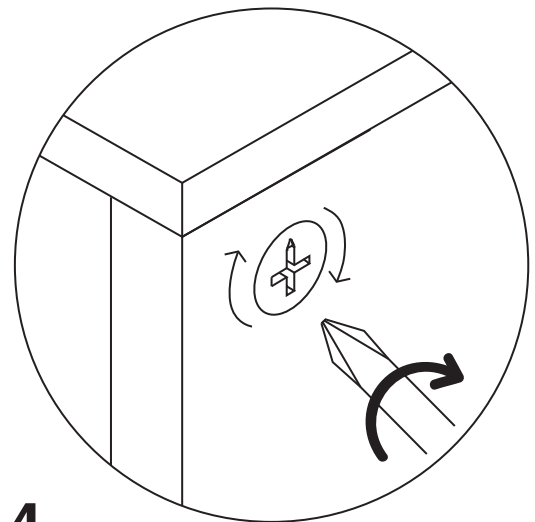
2

Insert the cam bolt into the bolt hole of joint panel.



3

Align the cam lock with its side opening (or arrow) pointing to cam bolt.



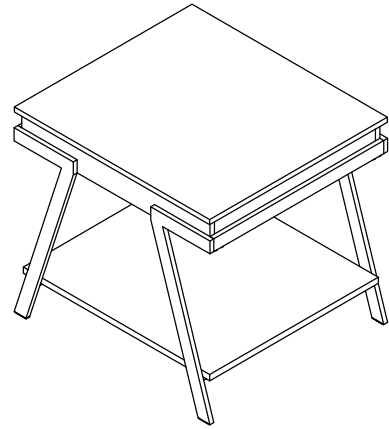
4

Turn the cam lock clockwise gently until it will not turn any more.

END TABLE

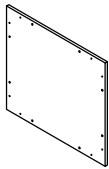


- Please keep instructions for future reference.
- Check the quantity and irregularity of parts and hardware before you start.



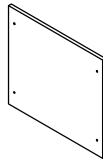
PARTS

#1 1pc



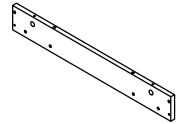
TOP PANEL

#2 1pc



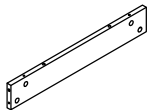
SHELF

#3 2pcs



FRONT AND BACK WOOD PANEL

#4 2pcs



LEFT AND RIGHT WOOD PANEL

#5 2pcs



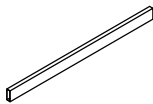
LEG 1

#6 2pcs



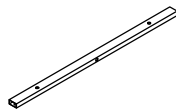
LEG 2

#7 2pcs



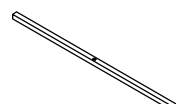
TOP CROSSBAR

#8 2pcs



BOTTOM CROSSBAR

#9 1pc

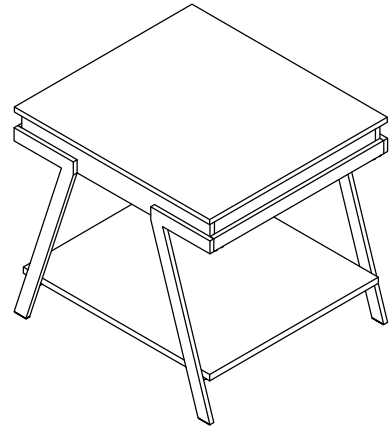


SUPPORT CROSSBAR

END TABLE



- Please keep instructions for future reference.
- Check the quantity and irregularity of parts and hardware before you start.



HARDWARE

#A 12pcs



Cam-Bolt 38mm

#B 12pcs



Cam-Lock ϕ 15mm

#C 12pcs



Wood Dowel 8 x 30mm

#D 12pcs



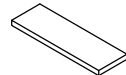
Short Bolt 1/4" x 9mm

#E 12pcs



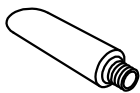
Bolt 1/4" x 22mm

#F 4pcs



Felt Pad

#G 1pc



Glue

#H 2pcs



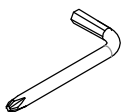
Long Bolt 1/4" x 47mm

#I 1pc



Screw 4 x 25mm

#J 1pc



Allen Wench 4mm

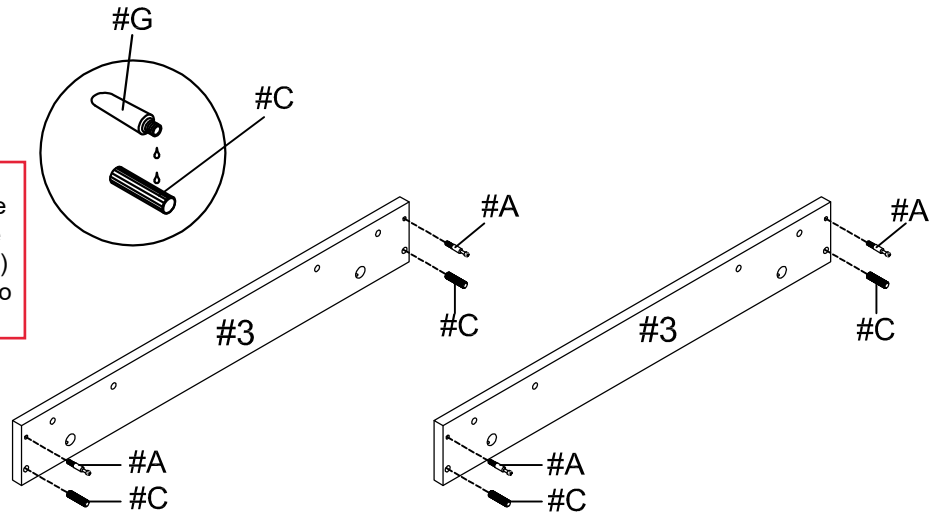
ASSEMBLY INSTRUCTIONS

1

- Part #3 x2pcs
- Hardware #A x4pcs
- Hardware #C x4pcs
- Hardware #G x1pc

Prepare parts (#3) by attaching Cam Bolts (#A) and Wood Dowels (#C).

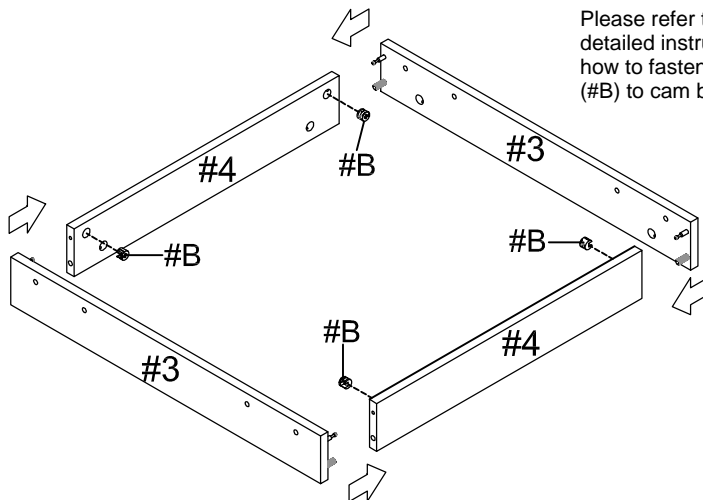
OPTIONAL
Apply a dab of glue onto the end of the wooden dowel (#C) before inserting into panel hole.



2

- Part #3 x2pcs
- Part #4 x2pcs
- Hardware #B x4pcs

Align the Left and Right Wood Panels (#4) to the Front and Back Wood Panels (#3).



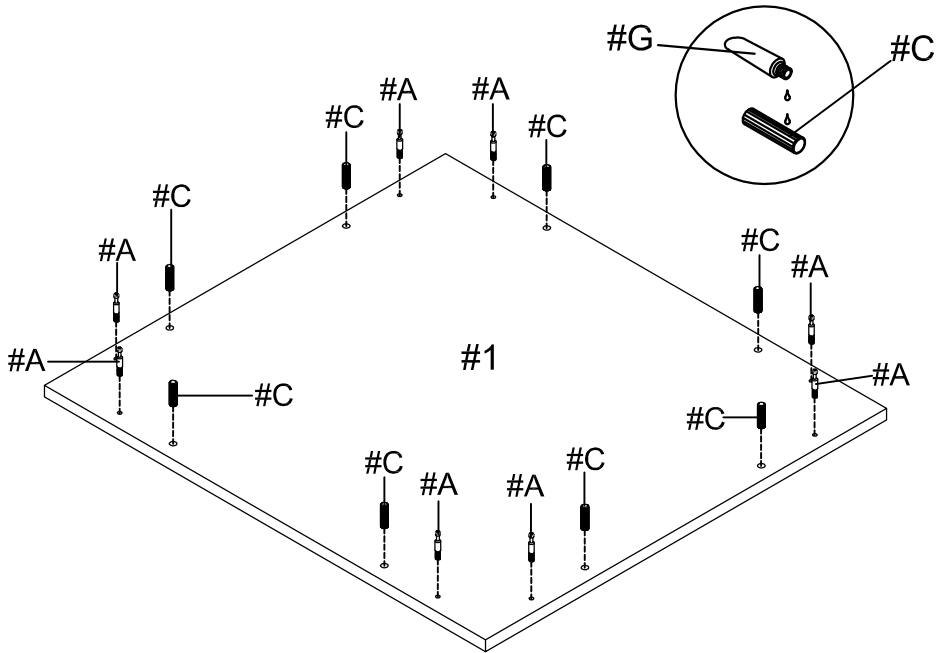
Please refer to Page 5 for detailed instructions on how to fasten cam locks (#B) to cam bolts (#A).

ASSEMBLY INSTRUCTIONS

3

- Part #1 x1pc
- Hardware #A x8pcs
- Hardware #C x8pcs
- Hardware #G x1pc

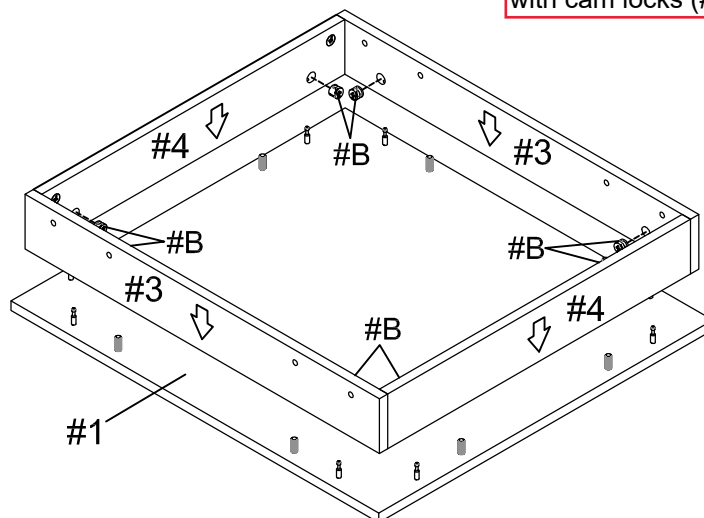
Prepare the Top Panel (#1) with Cam Bolts(#A) and Wood Dowels (#C).



4

- Part #1 x1pc
- Part #3 x2pcs
- Part #4 x2pcs
- Hardware #B x8pcs

Align the square assembly to the Top Panel (#1) and secure with cam locks (#B).

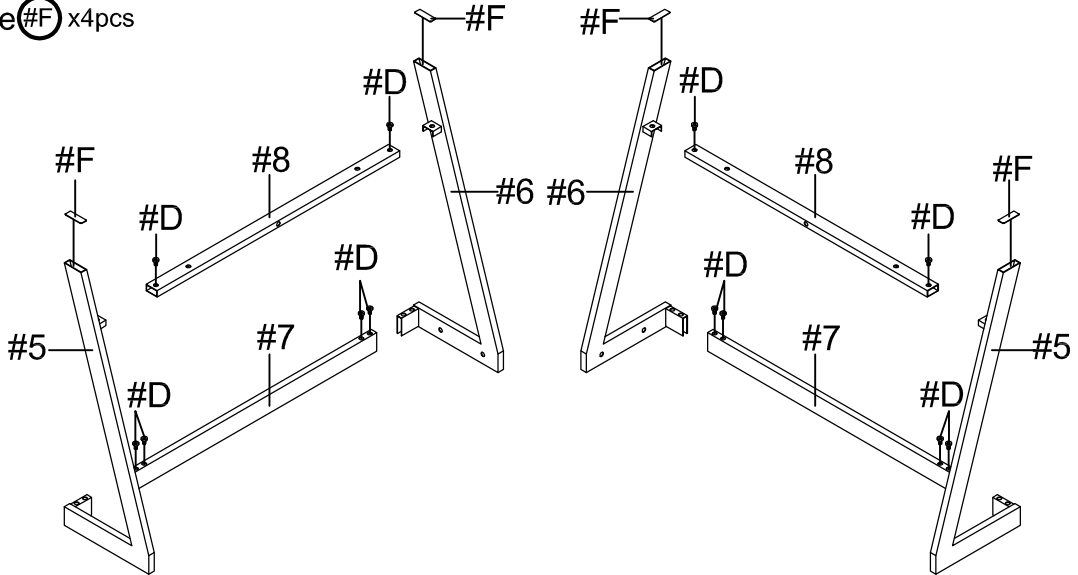


ASSEMBLY INSTRUCTIONS

5

- Part #5 x2pcs
- Part #6 x2pcs
- Part #7 x2pcs
- Part #8 x2pcs
- Hardware #D x12pcs
- Hardware #F x4pcs

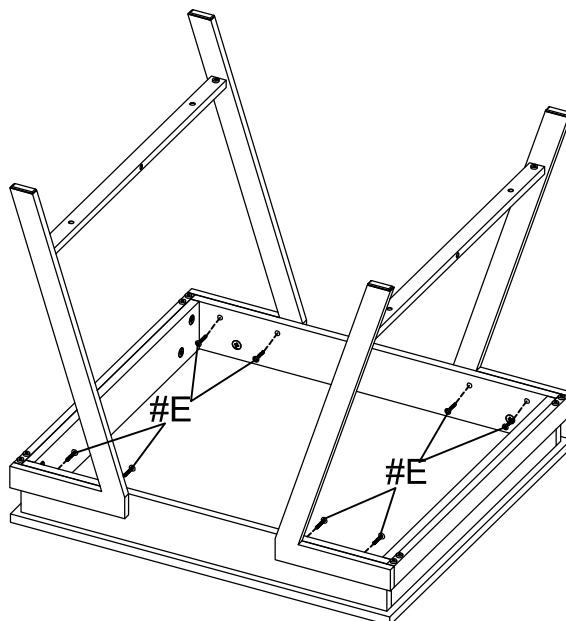
- I. Align the Top Crossbar (#7) to the Leg 1 (#5) and Leg 2 (#6). Secure using Short Bolt (#D).
- II. Align the Bottom Crossbar (#8) to the Leg1 (#5) and Leg 2 (#6). Secure using Short Bolt (#D).
- III. Add Felt pads (#F) to Leg 1 (#5) and Leg 2 (#6).



6

- Hardware #E x8pcs

- Align the legs to the Top and secure using Bolt (#E).

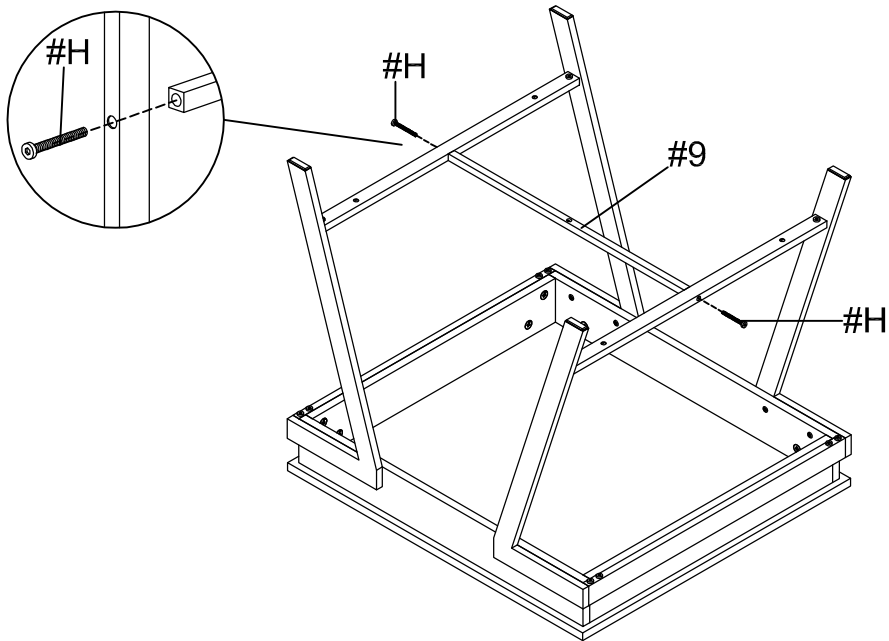


ASSEMBLY INSTRUCTIONS

7

Part #9 x1pc
Hardware #H x2pcs

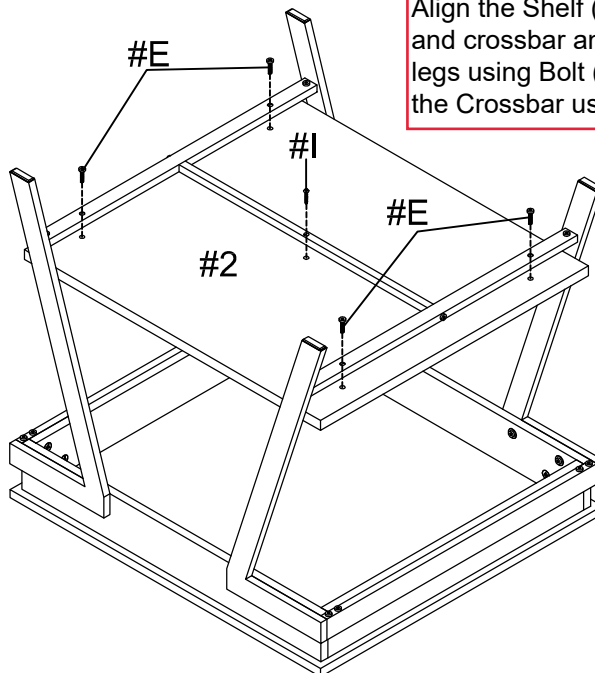
Align the Support Crossbar (#9) to the Legs and Secure using Long Bolt (#H).



8

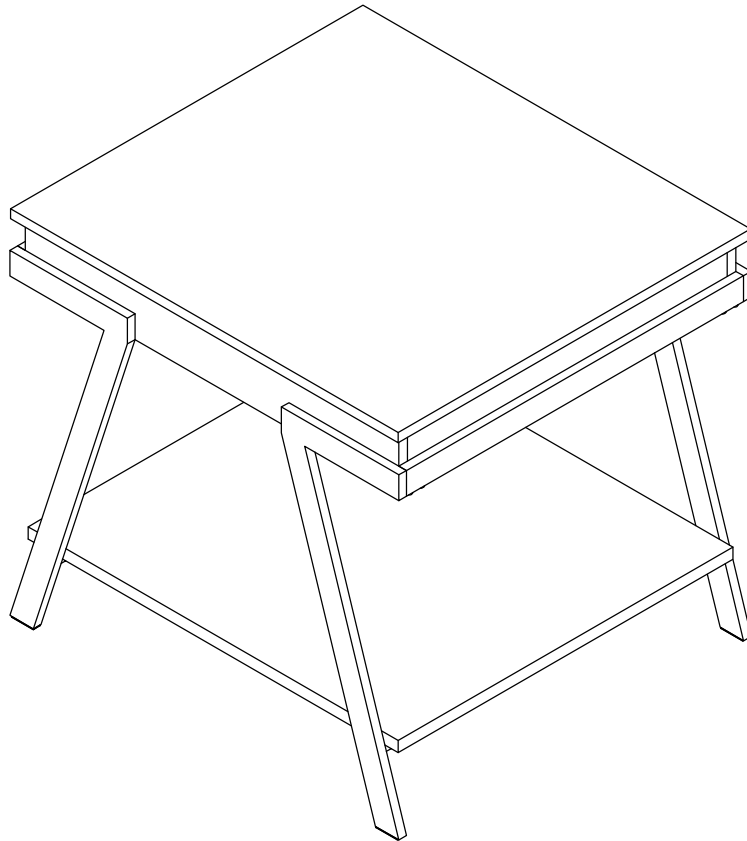
Part #2 x1pc
Hardware #E x4pcs
Hardware #I x1pc

Align the Shelf (#2) to the legs and crossbar and secure at the legs using Bolt (#E). Secure at the Crossbar using Screw (#I).



ASSEMBLY INSTRUCTIONS

9



ASSEMBLY COMPLETED



Please ensure the furniture rests on an even and flat surface. If the product wobbles or feels loose, double-check all bolts and/or screws are properly tightened and secured.



Keep this handy!

Please retain this instruction manual and any order-related information for future reference.



Lift, don't drag!

To avoid damage to product please always LIFT the product when transporting or adjusting the placement.