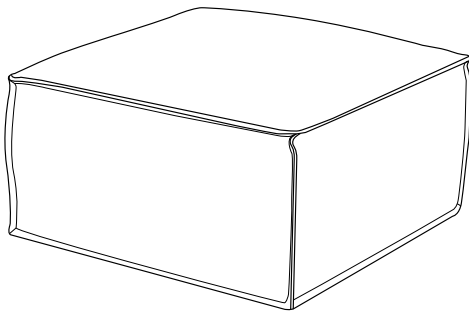


Components



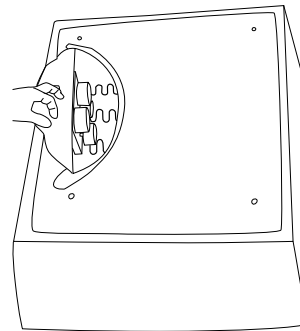
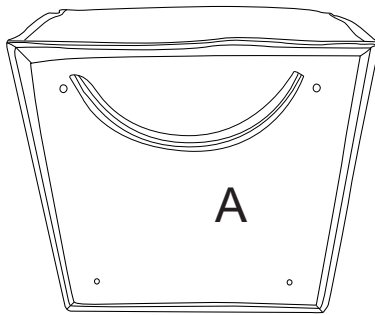
A
1x



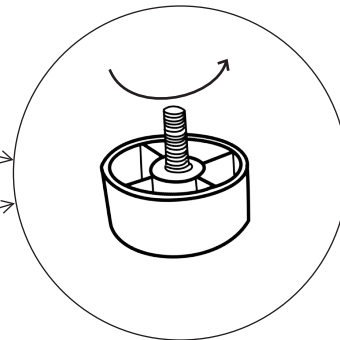
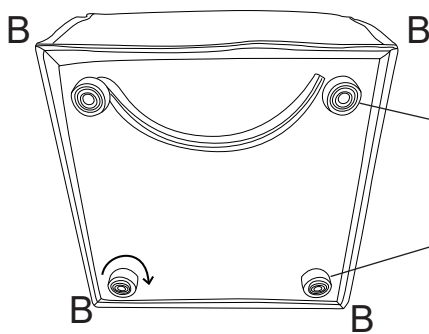
B
4x

Assembly

1



2



3

