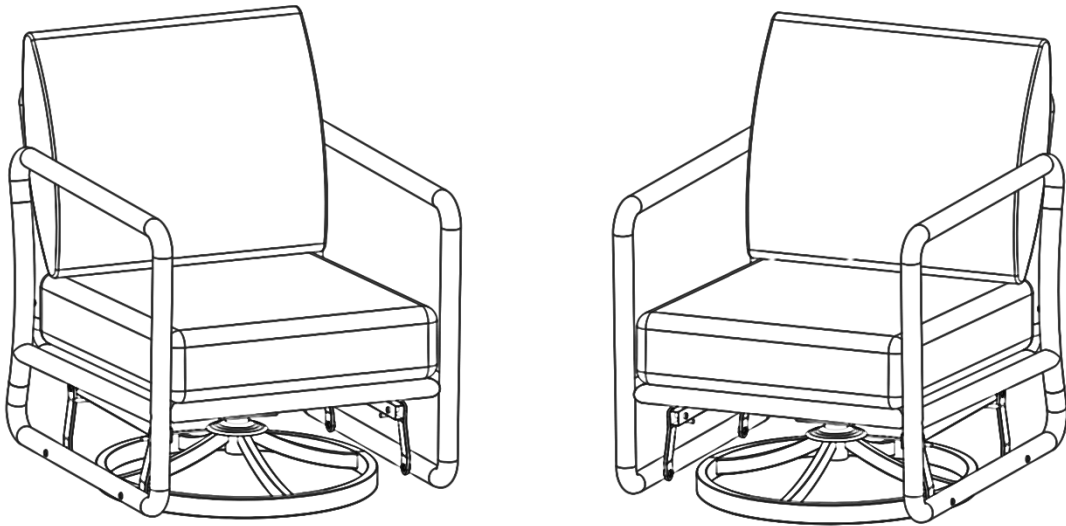


Aluminum Outdoor

USE AND CARE GUIDE

Combination Sofa 2-piece Set



IMPORTANT

PLEASE READ BEFORE YOUR COMMENCE ASSEMBLY

Follow the guidelines in this user guide to ensure correct assembly and care for this product

READ ALL INSTRUCTIONS BEFORE USE

When using these furnishings, always follow basic precautions, including the following:

Read all instructions before using this set.

To reduce the risk of injury to persons:

- Do not use this set on soft ground.
- Do not stand or allow children to stand on the assembled chairs, sofa, ottoman or fire pit.
- After assembly, verify that all hardware connections are secure before putting the product into use.
- Improper installation, adjustment, alteration, service or maintenance can cause injury or property damage.
- Read all installation, operation, and maintenance instructions thoroughly before installing or servicing this equipment.

PLANNING ASSEMBLY

Before beginning assembly, completely empty contents of carton and remove all packing material. Make sure all parts and hardware are present. If any parts are missing or any questions about damaged, please contact us in time, our after sales team will reply you in 24 hours .

Note: To more effectively drain the rainwater accumulated on the furniture surface, some metal frames are equipped with drain holes. During installation, one side of these drain holes should always face downwards.


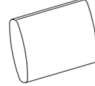
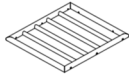

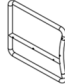
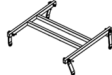

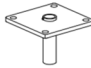

Please take photos before opening the boxes.
Once you find something is wrong, please send us the details with above photos. That can help us to solve the problem more quickly.















PACKAGE CONTENTS: 2PC SWIVEL CHAIRS (Sofa Frame only, the back cushion and seat cushion are individual packed in another box.)

NOTE: Place all parts on a soft, nonabrasive, level surface for assembly, do not over-tighten hardware connections.

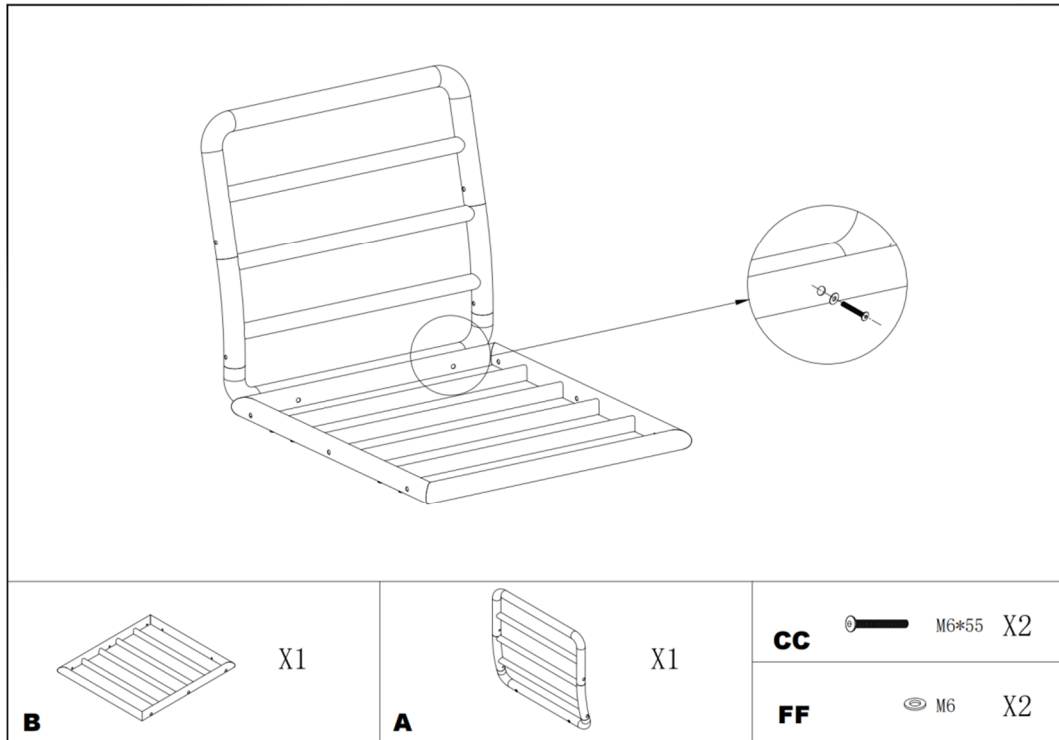
SWIVEL CHAIR INSTALLATION STEPS

PART LIST

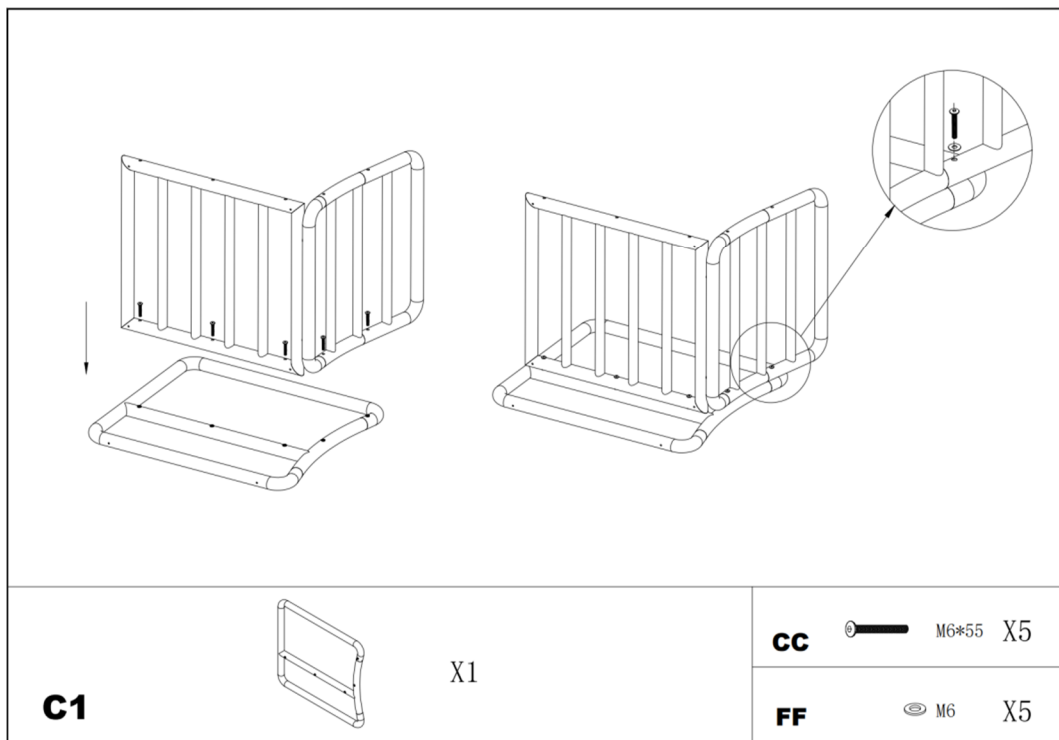
Ref	Part Name	Description	QTY(PC)	Ref	Part Name	Description	QTY(PC)
A	Backrest		1	E	Back Cushion		1
B	Base Plate		1	F	Seat Cushion		1
C1	Right Armrest		1	G	H-Type Bracket		1
C2	Left Armrest		1	H	Shaft		1
D	Chair Base		1				

AA	M8x25		4	HH	Ø29(M6)		1
BB	M6x30		1	II	M8		12
CC	M6x55		12	JJ	M6		1
DD	M8x70		4	KK	Screw Caps		21
EE	M8		4	LL	Nut Caps		8
FF	(M6)		12	MM	Wrench		1
GG	(M8)		4	NN	Wrench		1

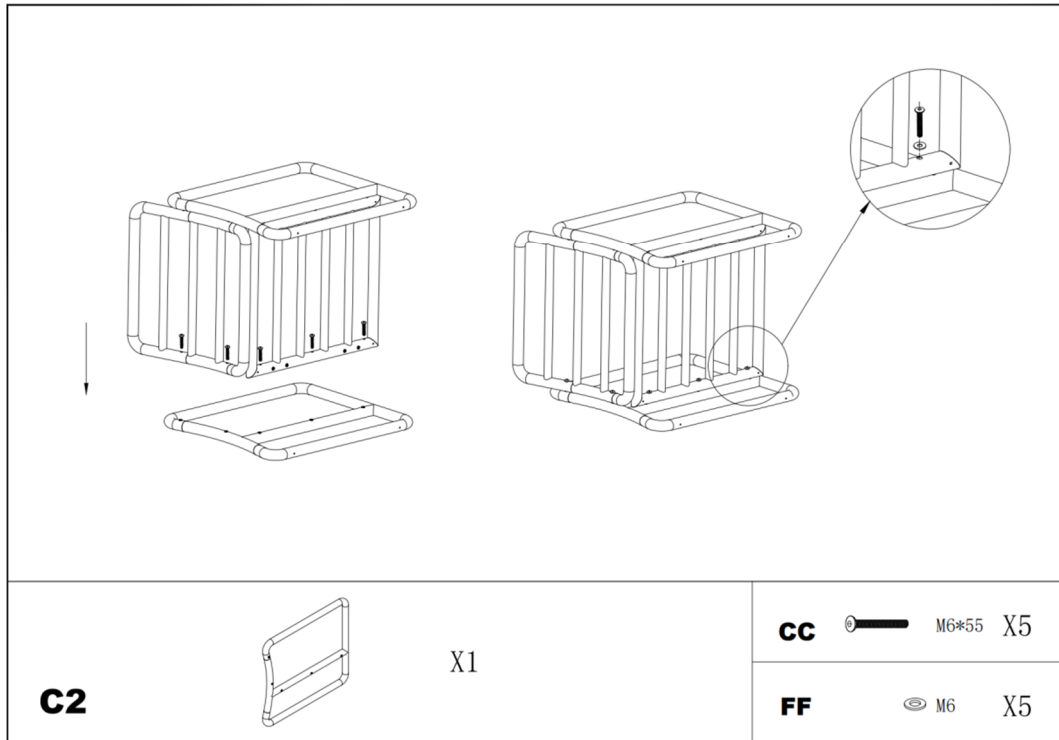
STEP 1: Connect the base plate(B) to the sofa backrest(A).



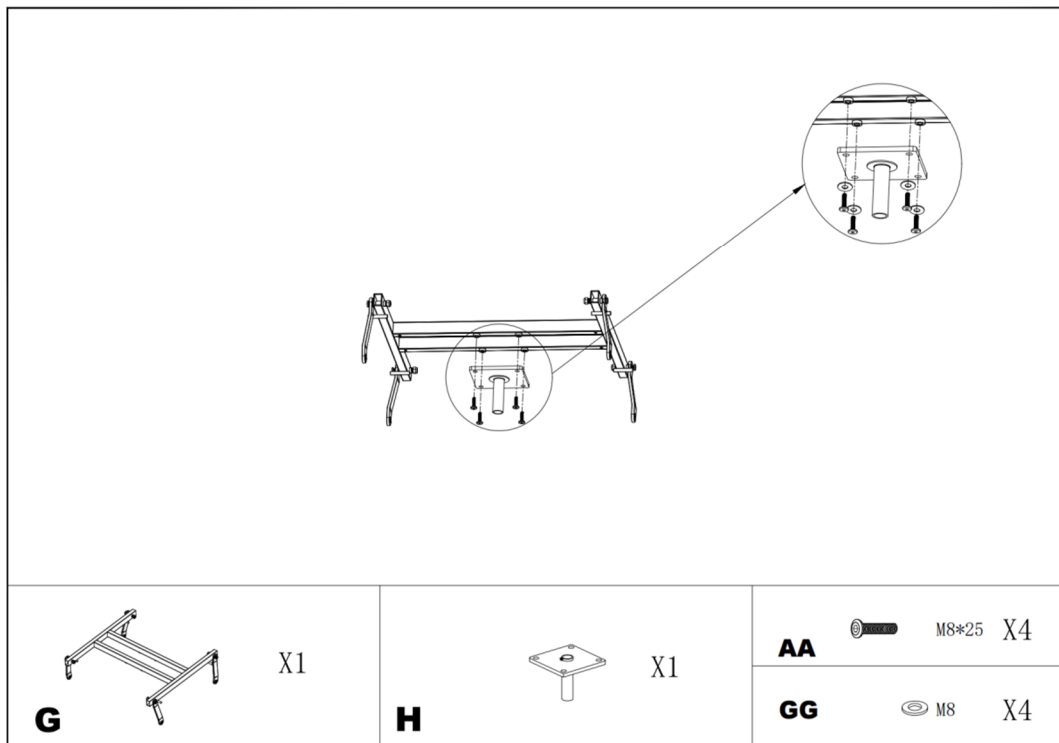
STEP 2: Connect the right armrest (C1) to the base plate and backrest with screws (CC).



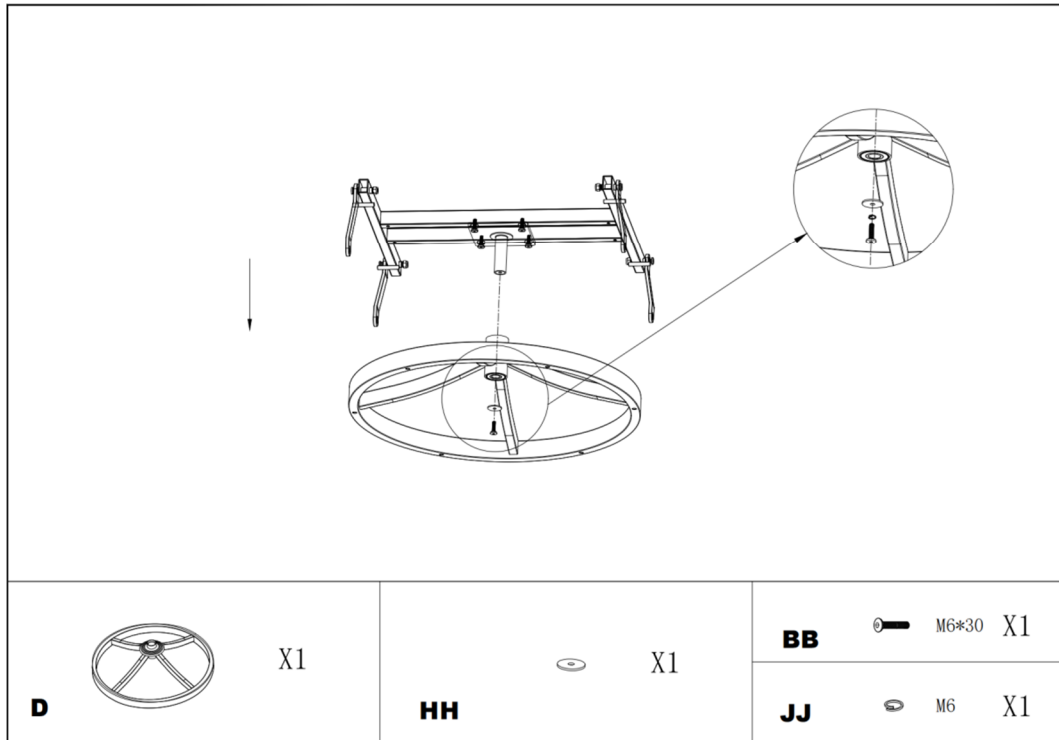
STEP 3: Connect the left armrest(C2) to the base plate.



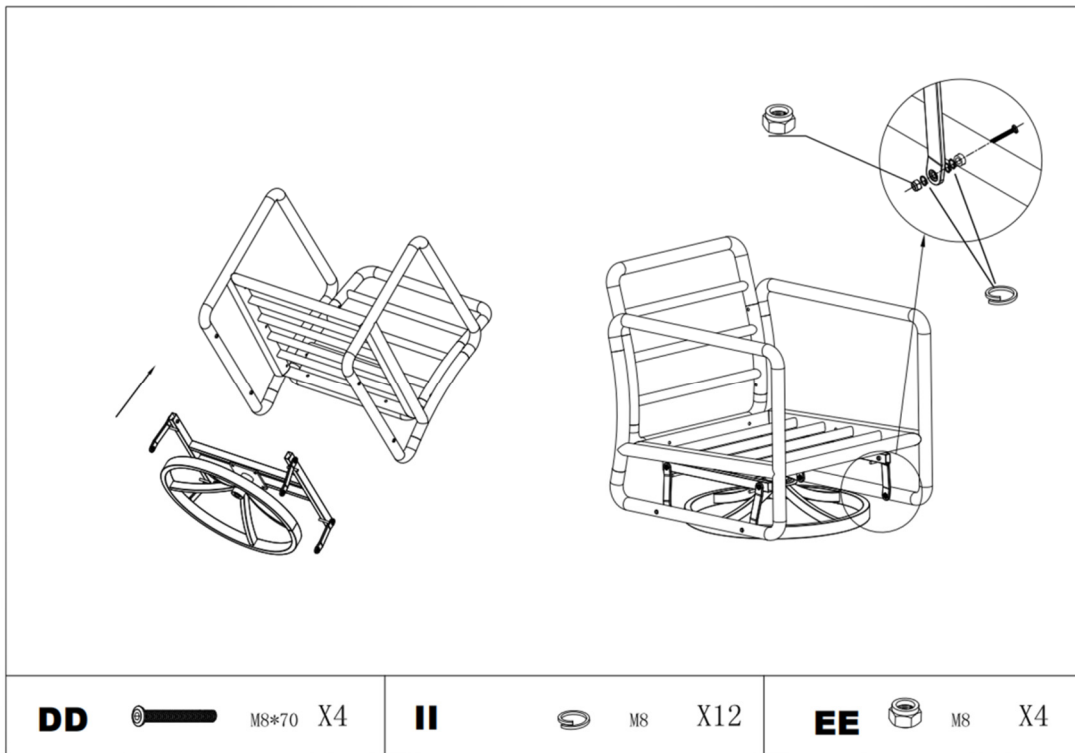
STEP 4: Connect the H type bracket (G) to the shaft(H).



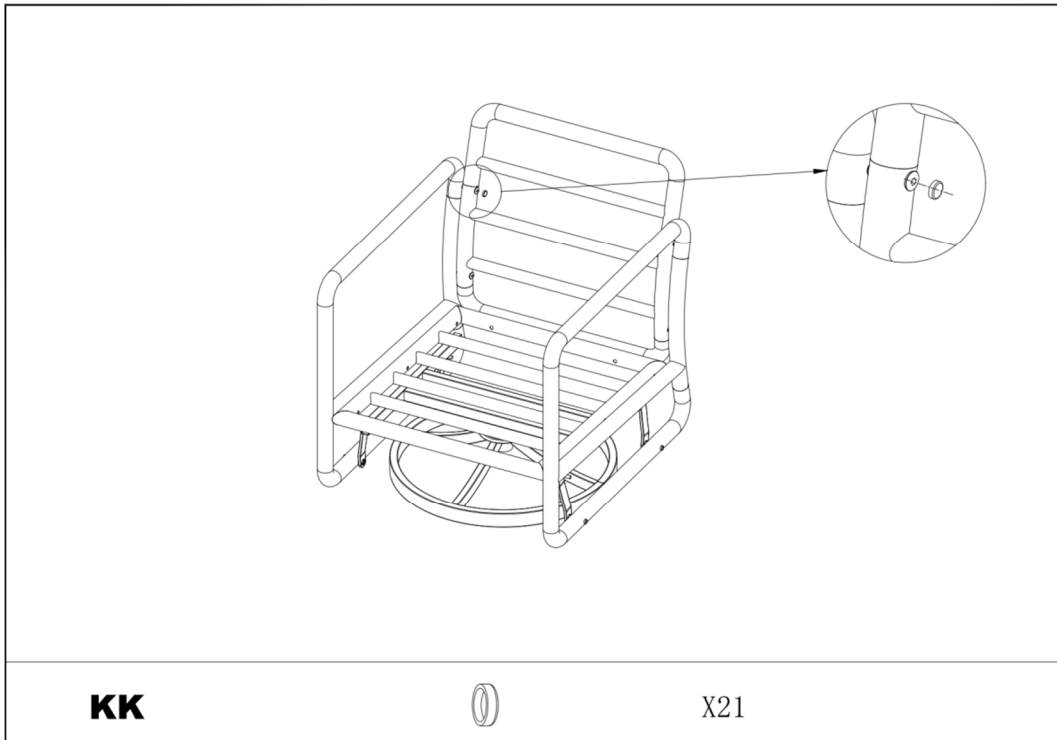
STEP 5: Connect the H-type bracket to the chair base(D).



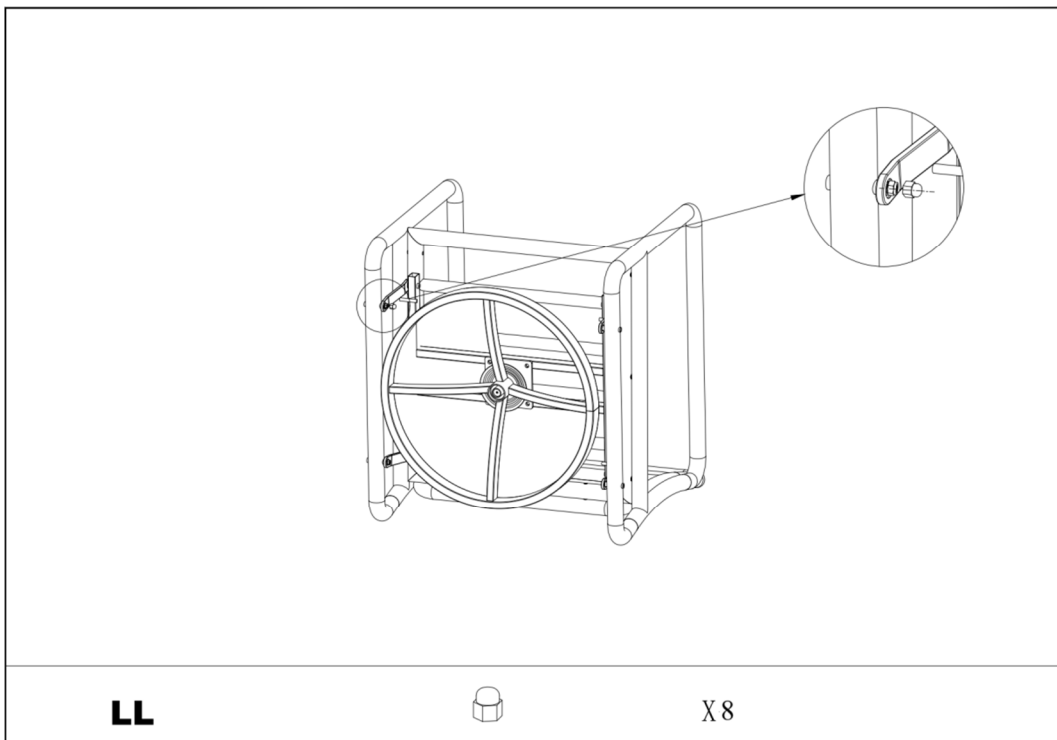
STEP 6: Connect the chair base to the armchair with screws (DD).



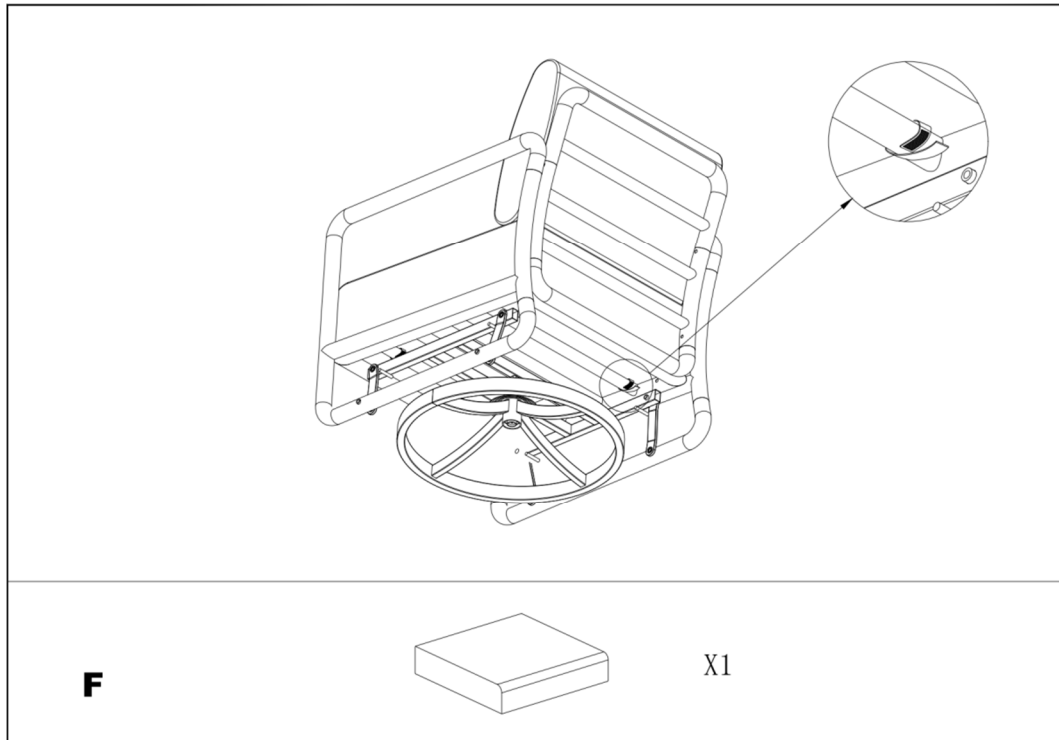
STEP 7: Put the screw caps (KK) on the screws.



STEP 8: Put the nut caps (LL) on the nut.

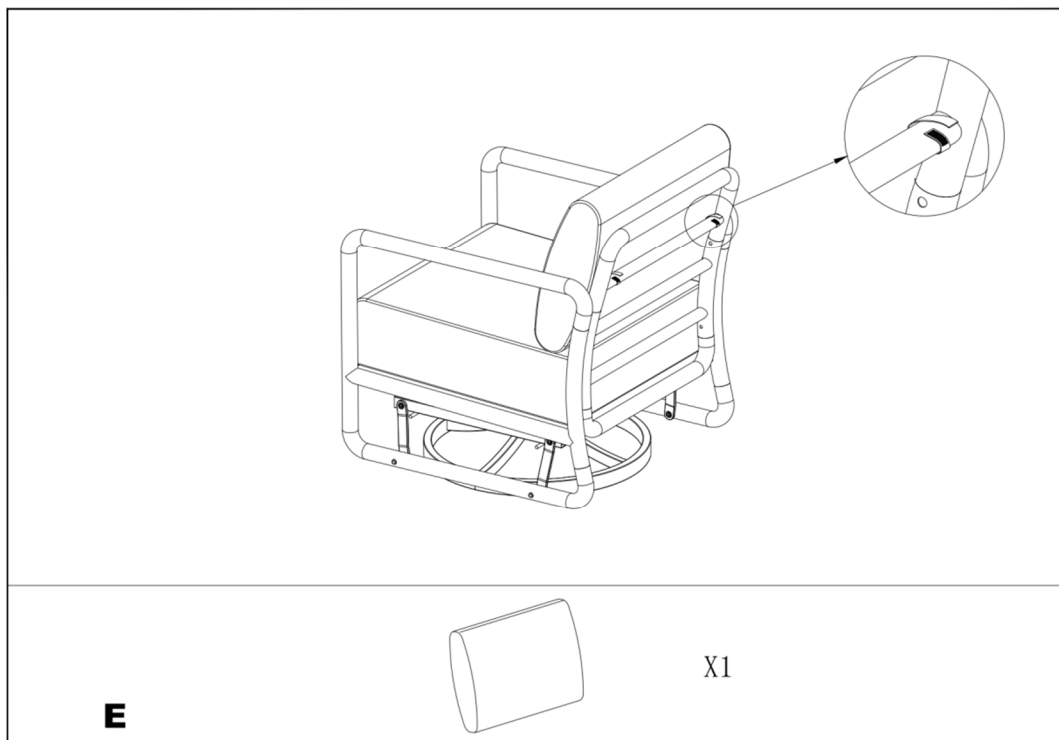


STEP 9: place the seat cushion (F).



STEP 10: Place the back cushion(E).

Assembly is complete and the sofa is ready for use.



CLEANING & MAINTENANCE

FRAME

Cleaning - Use mild soap and warm water. Do not use abrasive materials, cleaners, or bleach products. Rinse with clean water and dry thoroughly.

Maintenance -Periodically clean and dry thoroughly. Be sure to drain any water accumulated inside the frames. To thoroughly drain frames, remove foot caps and tilt the frames, if necessary, to remove all water. This is critical. Water allowed to accumulate inside the frames and then exposed to sub-freezing temperatures can cause damage to the frame tubing. Such damage is not covered under warranty. Always clean, drain, and dry thoroughly before storing for the winter. For best results, always store or cover your furniture when not in use.

**** When cleaning or moving large or heavy items, always have two people work together. Never drag furniture.**

FABRIC (CUSHIONS)

Cleaning - Fabric should be cleaned regularly. Brush off any loose dirt and wash with a mild soap and lukewarm water solution. For stubborn stains and mildew, wash with a solution of 236.6 ml / 1 cup of bleach and 59.2 ml / 0.25 cup of mild soap per 3.79L / 1 gallon of water. Rinse thoroughly to remove soap. Allow fabric to air dry.

Maintenance - The best way to maintain the beauty of cushions and slings is to store them in a dry area and out of the elements when not in use, or cover with commercially available outdoor furniture covers.

CUSHIONS

To ensure longevity of your patio set each seat cushion is made with high density foam. With initial use the seat cushions may feel firm, but with continued use the cushions will continue to soften and provide the ultimate comfort for seasons to come.

Cushions can become water saturated with heavy water exposure. To allow cushions to air-dry properly, follow the suggested steps:

- * Unzip cushion cover to ventilate and facilitate the drying process. Do not remove cushion covers.
- * Place cushions upright for faster drainage. Ventilation zipper should be facing down.
- * Store cushions indoors during rainy seasons and inclement weather.