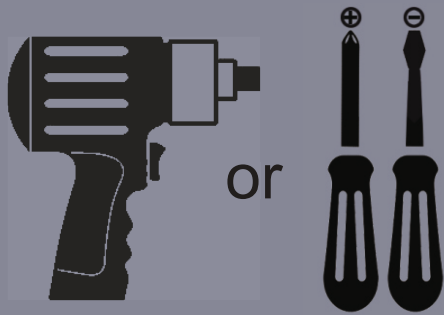


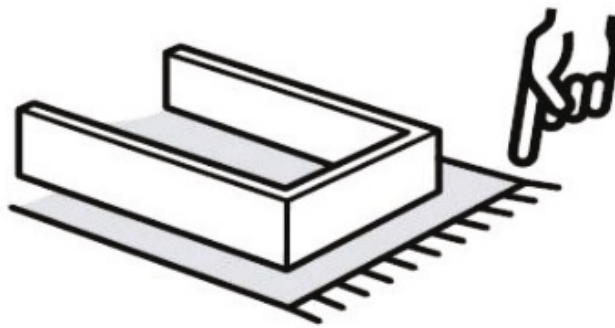
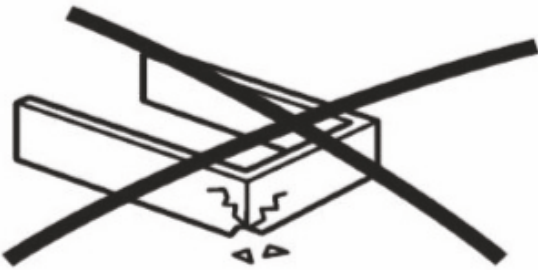
Tv Stand

assembly guide

before you start



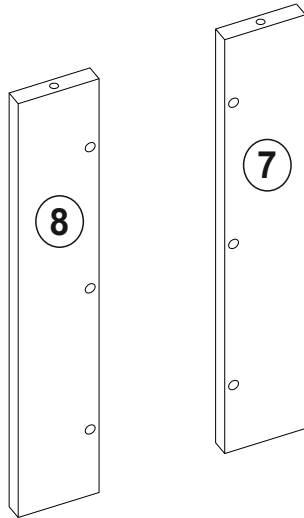
Get required installation tools prepared.



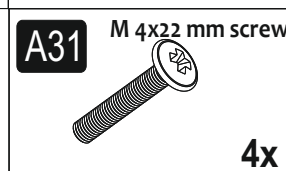
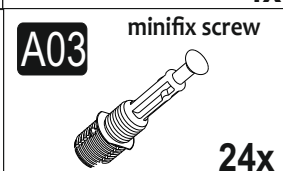
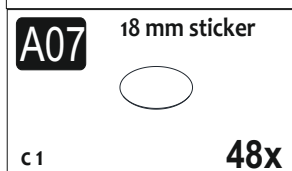
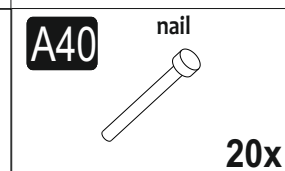
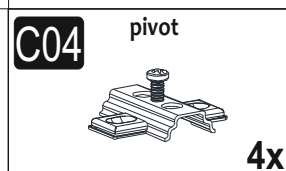
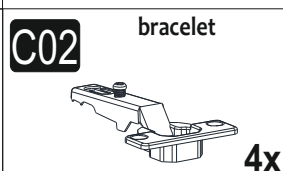
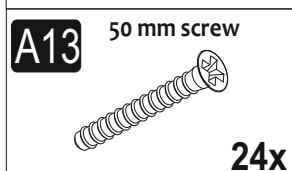
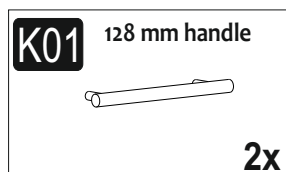
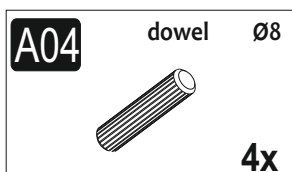
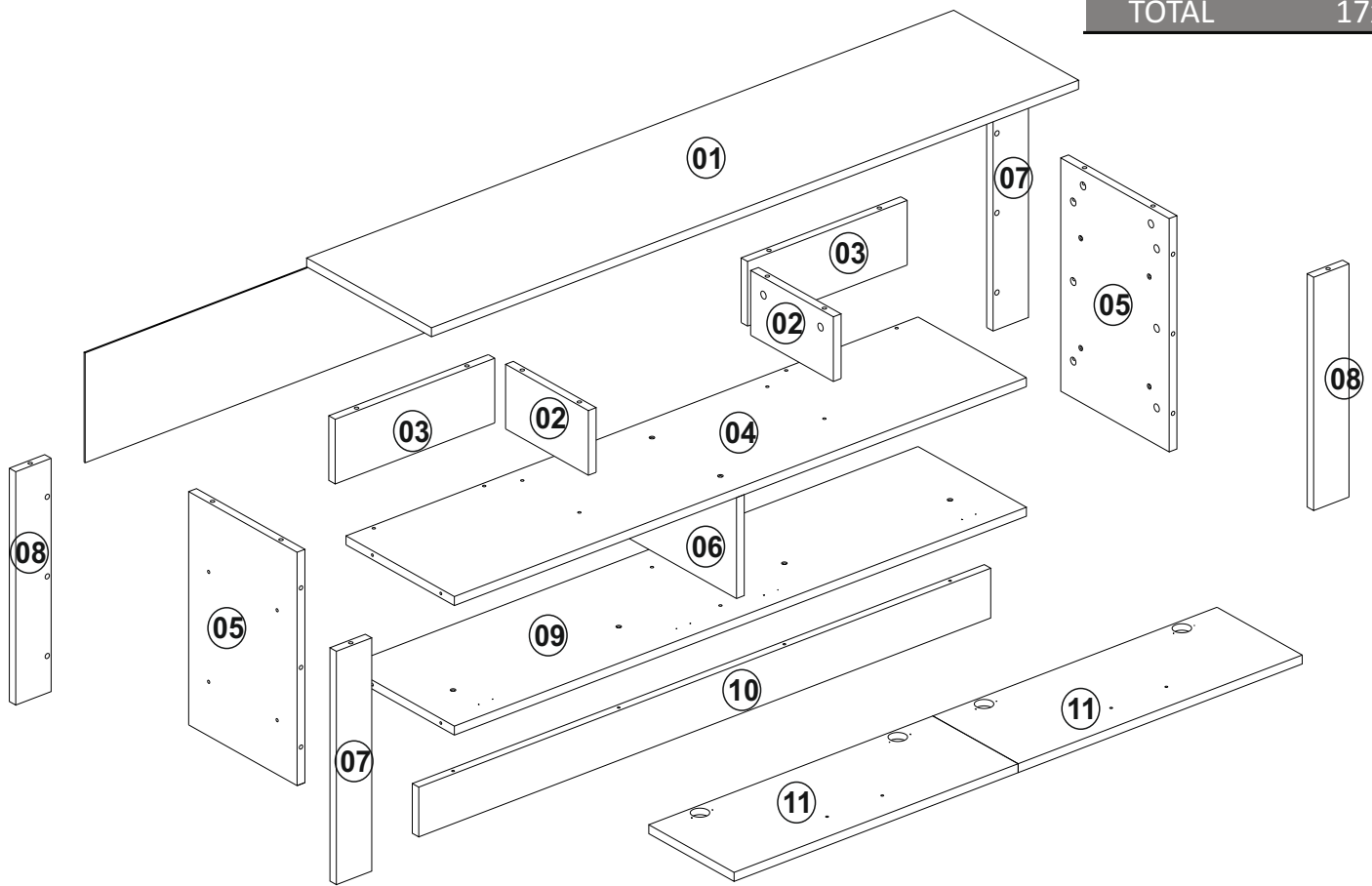
Do not install the product on rough surfaces.



Get help from someone else!



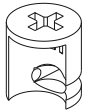
Part1	1x
Part2	2x
Part3	2x
Part4	1x
Part5	2x
Part6	1x
Part7	2x
Part8	2x
Part9	1x
Part10	1x
Part11	2x
TOTAL	17x



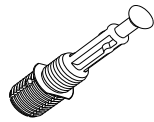
Please be aware that C01(bracket) and C04(pivot) parts may come as attached together.

getting familiar with the main components

*Minifix is the main connection component used in Decorotika products. Before starting, please check the below figures



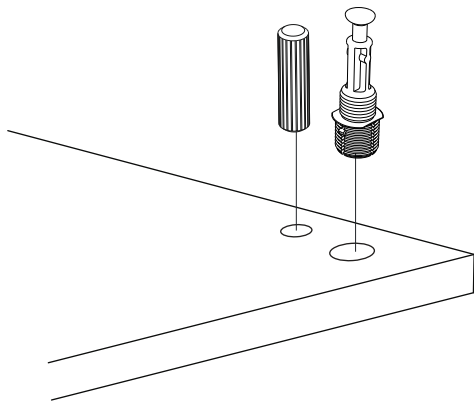
MINIFIX
HEAD



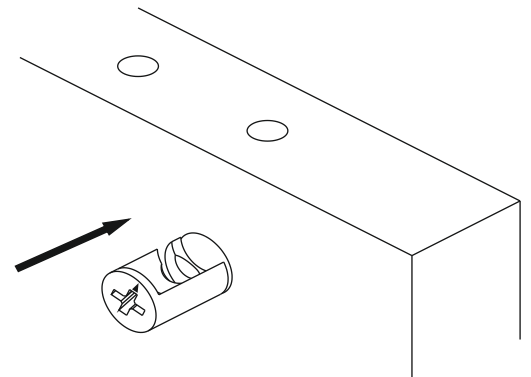
MINIFIX
SCREW



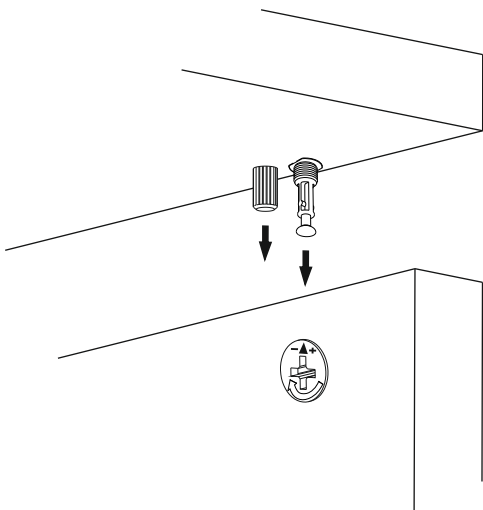
DOWEL



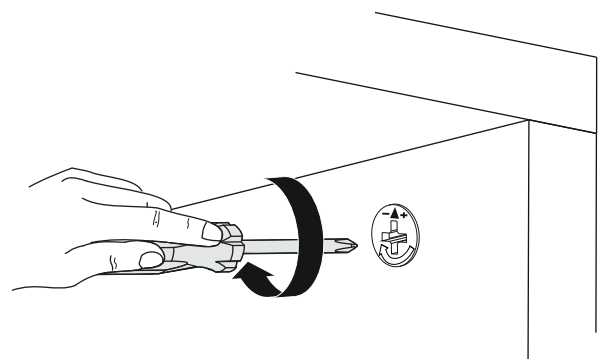
*Please notice that there is an small arrow on A02 (minifix head). This arrow should show the direction of upper hole.



*After attaching two pieces please turn the A02 (minifix head) clockwise direction with the help of a screwdriver.



*Please do not over screw the minifix head since it may be broken if too much power is imposed. Just make sure that it is screwed to the direction "+" do not go any further.

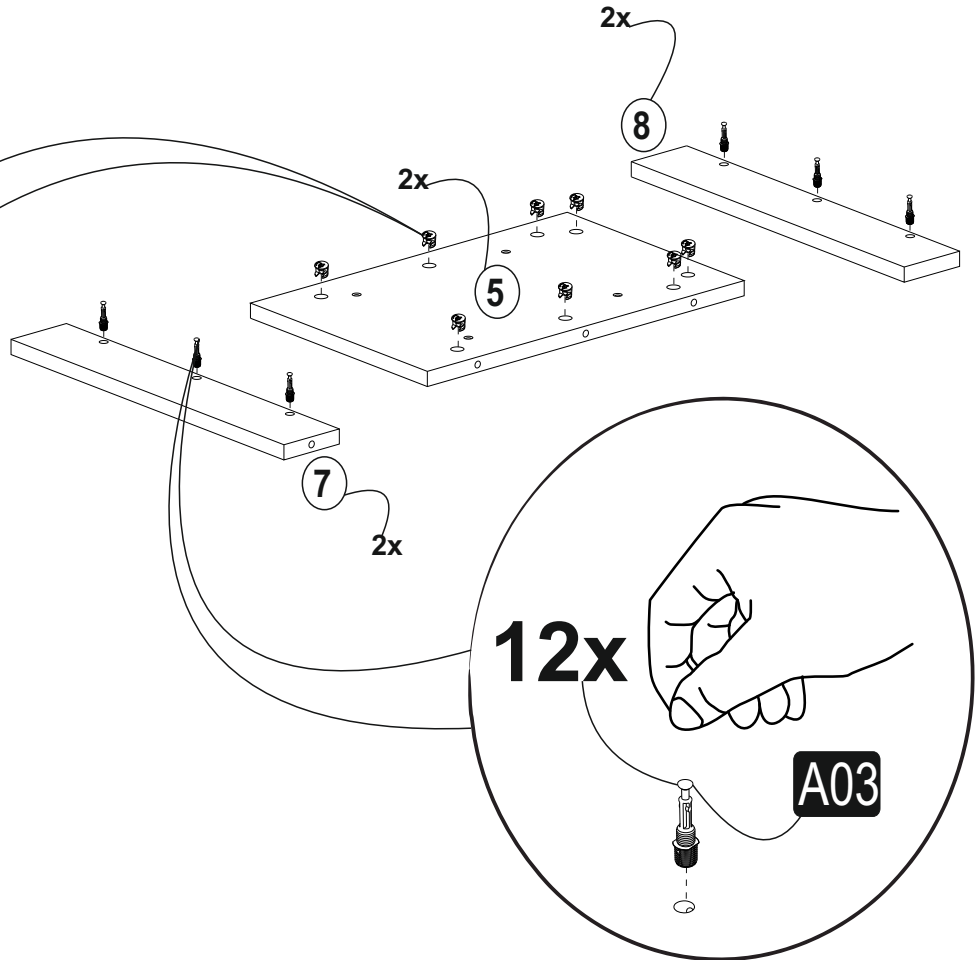
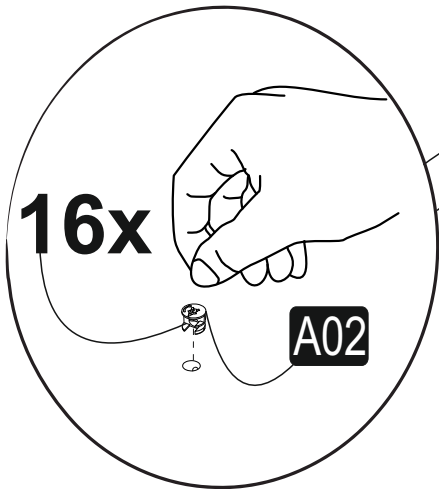


step a

1 *Please insert A03(minifix screw) into the holes on the piece #7 and #8 as shown below

*Please insert A02 (minifix head) into the holes on the pieces #5 as shown below.

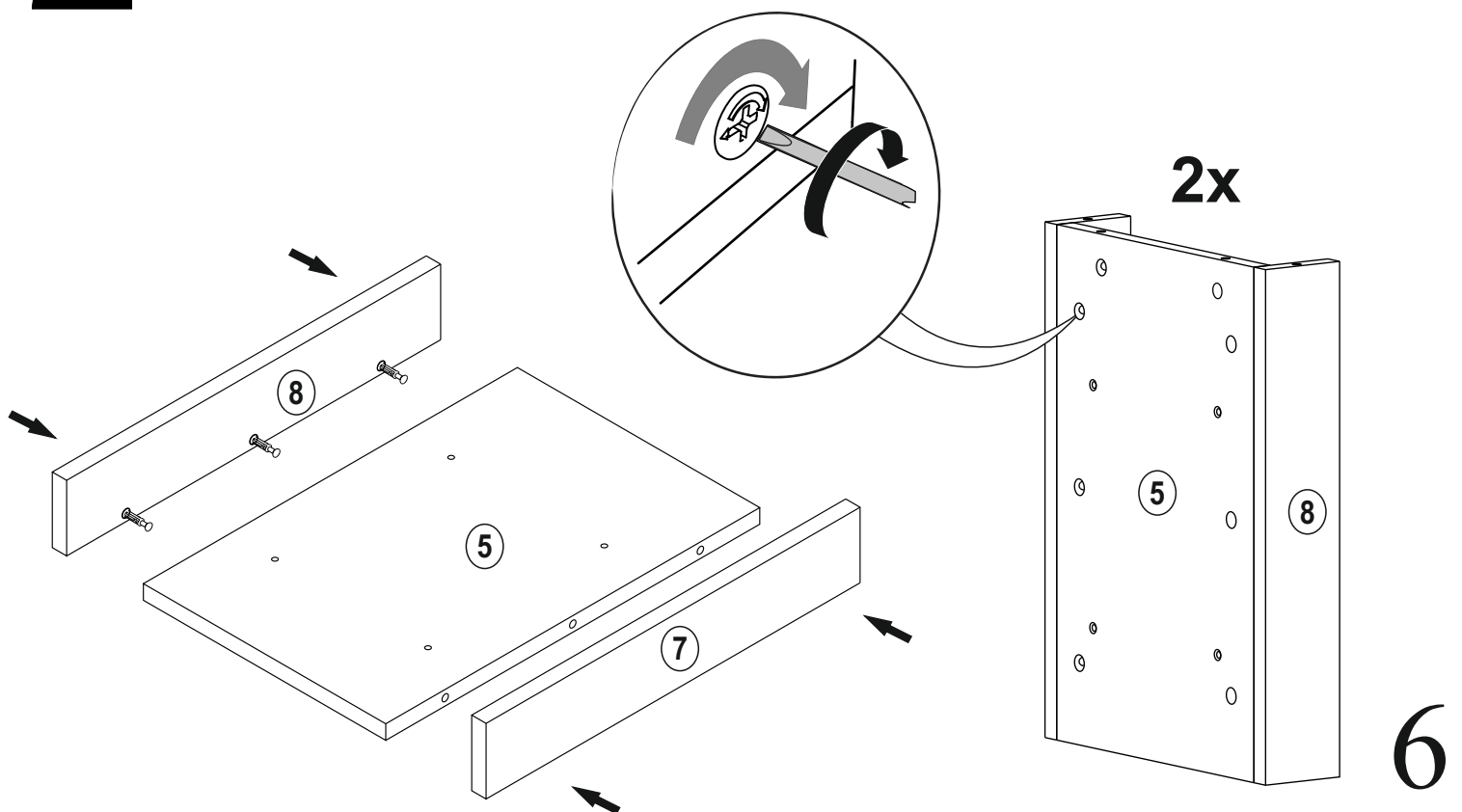
*Make sure that all arrows on A02 (minifix head) are in correct direction



step b

2 *Please attach the piece #5 between the pieces #7 and #8 as shown below

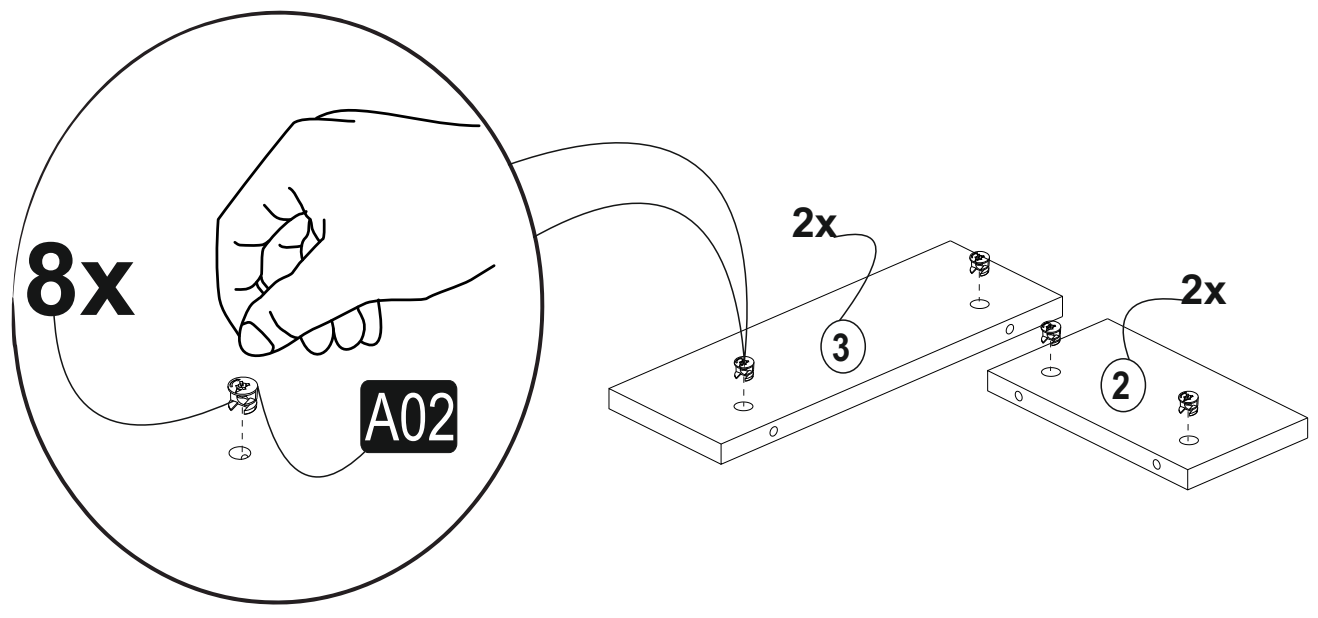
*Now screw the A02(minifix head) clockwise direction with the help of screwdriver



3 step c

*Please insert A02 (minifix head) into the holes on the pieces #2 and #3 as shown below

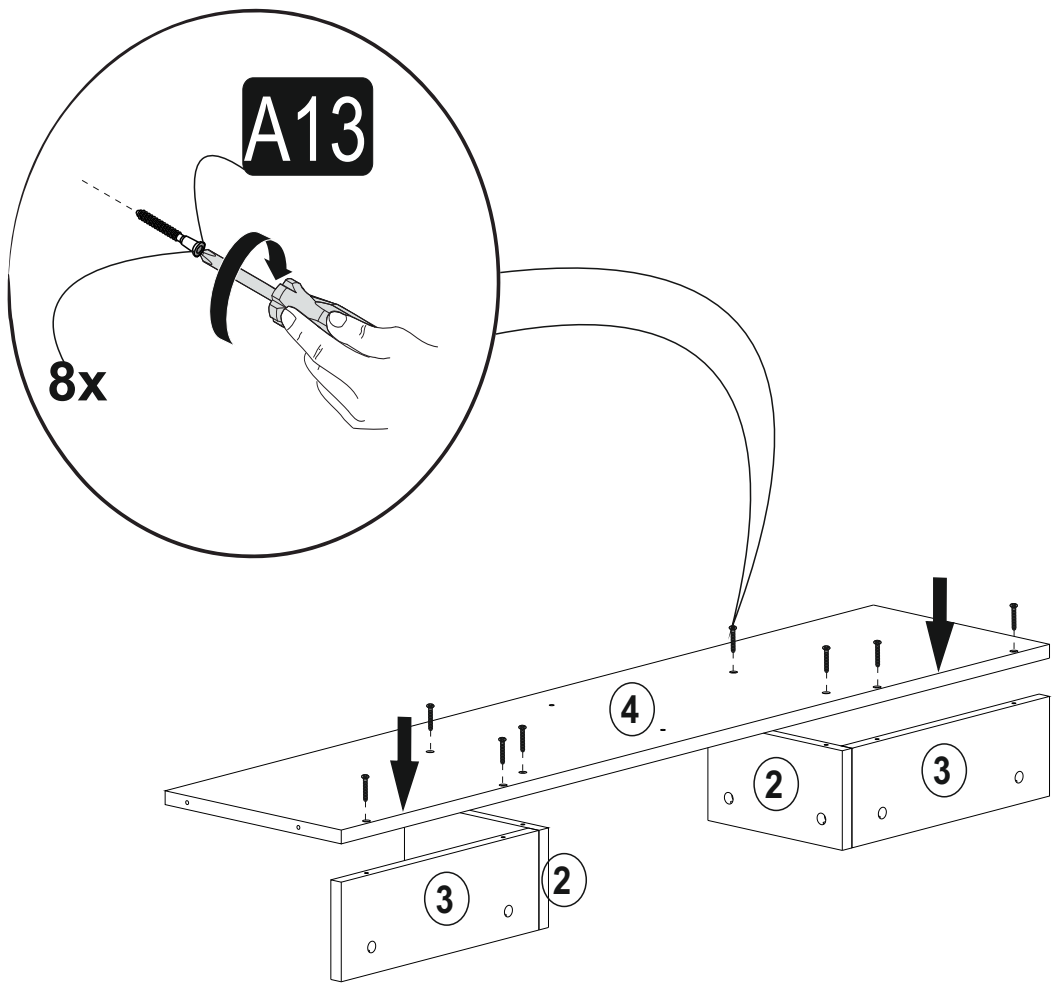
*Make sure that all the arrows on A02 (minifix head) are in correct direction



4 step d

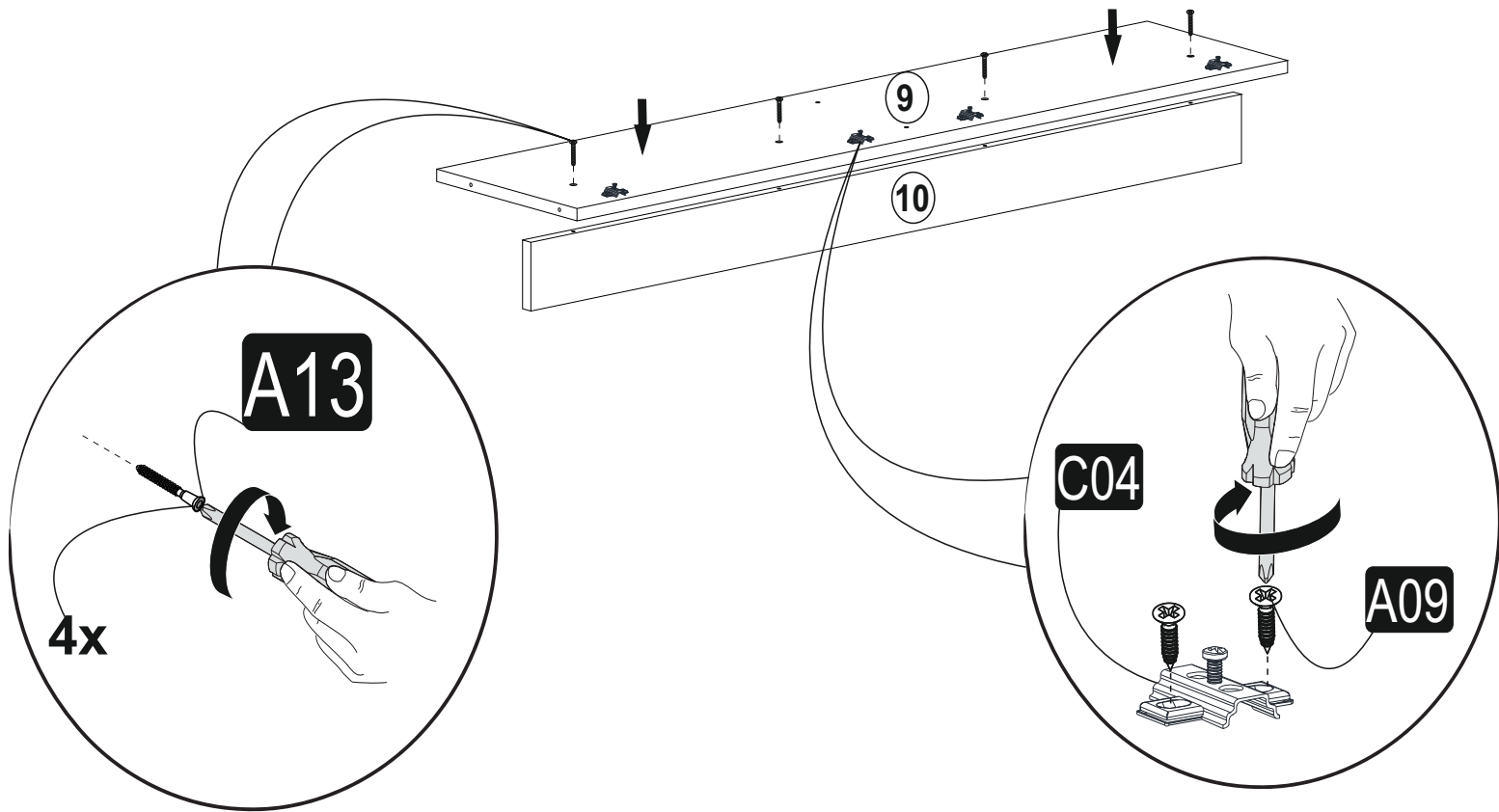
*Please attach the pieces #2 and #3 to the piece #4 as shown below

*Now screw the A13 (50 mm screw) clockwise direction with the help of screwdriver.



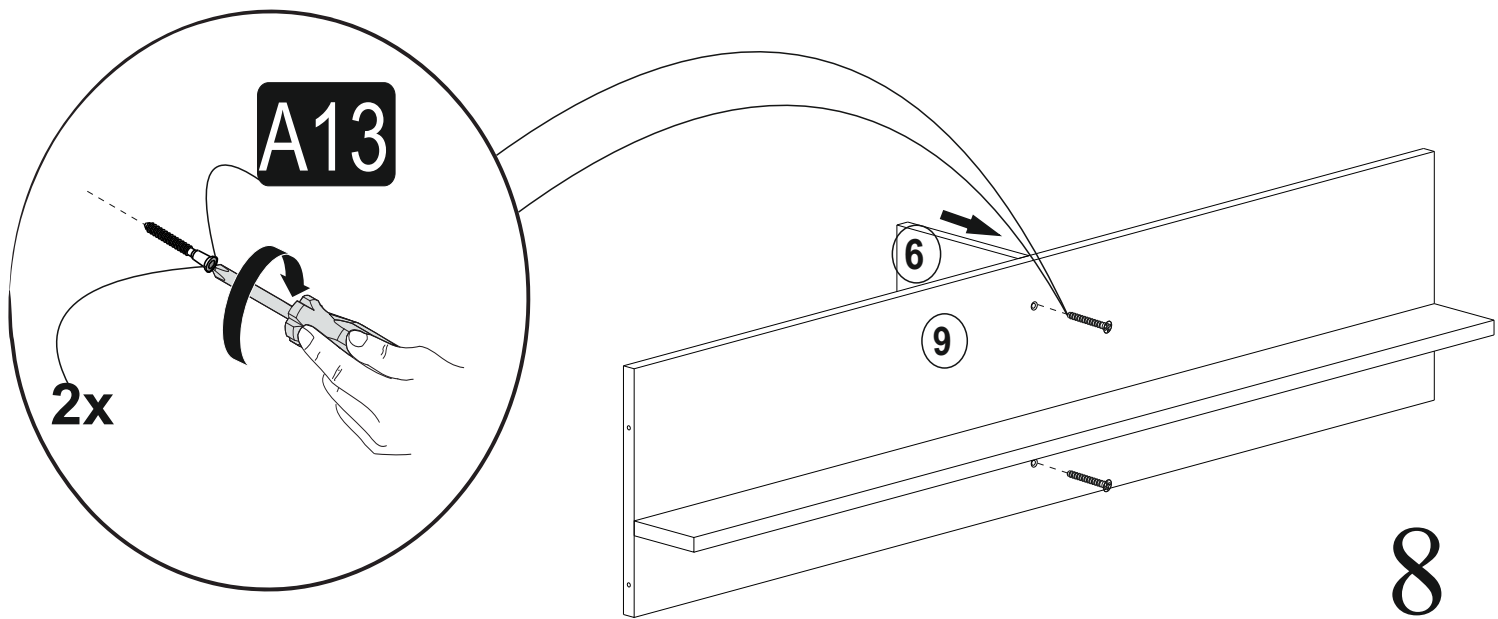
5 step e

- *Please put all the C04 (pivot) the way that they will fit the pre-drilled holes on the piece #9
- *Now take A09 (3.5x18 screw) and put them on pre-drilled holes then turn them all with screwdriver
- *Please attach the piece #10 to the piece #9 as shown below
- *Now screw the A13 (50 mm screw) clockwise direction with the help of screwdriver.



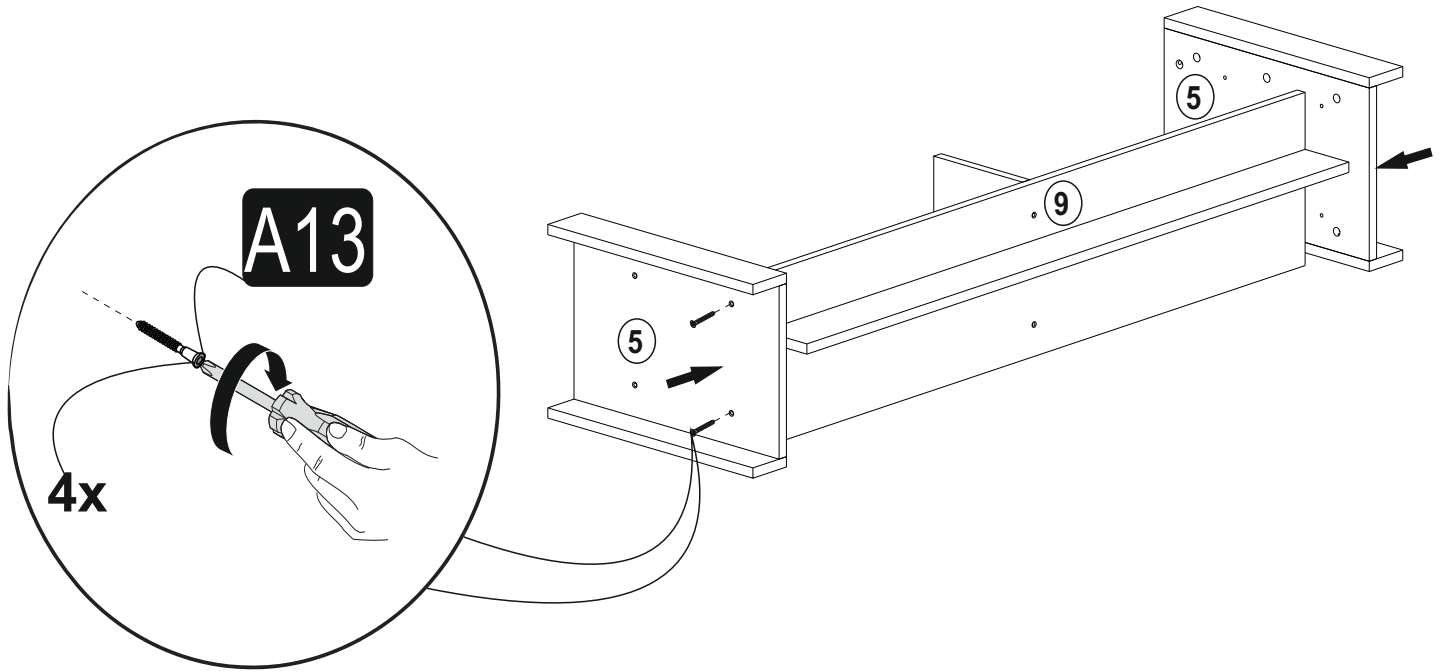
6 step f

- *Please attach the pieces #6 onto the piece #9 as shown below
- *Now screw the A13 (50 mm screw) clockwise direction with the help of screwdriver.



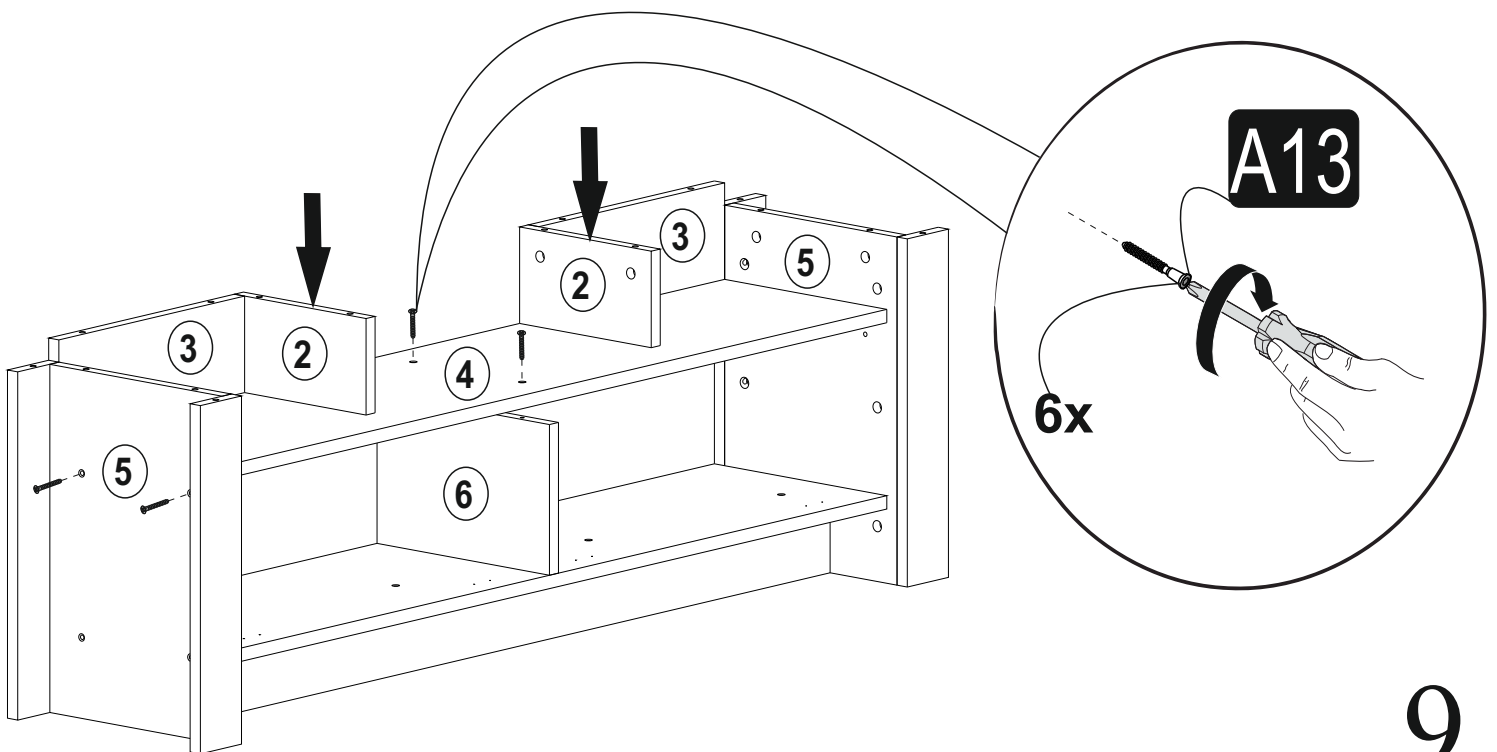
7 step g

- *Please attach the parts we installed in step b to the piece #9 as shown below
- *Now screw the A13 (50 mm screw) clockwise direction with the help of screwdriver.



8 step h

- *Please attach the part we installed in step d onto the piece #6 as shown below
- *Now screw the A13 (50 mm screw) clockwise direction with the help of screwdriver.

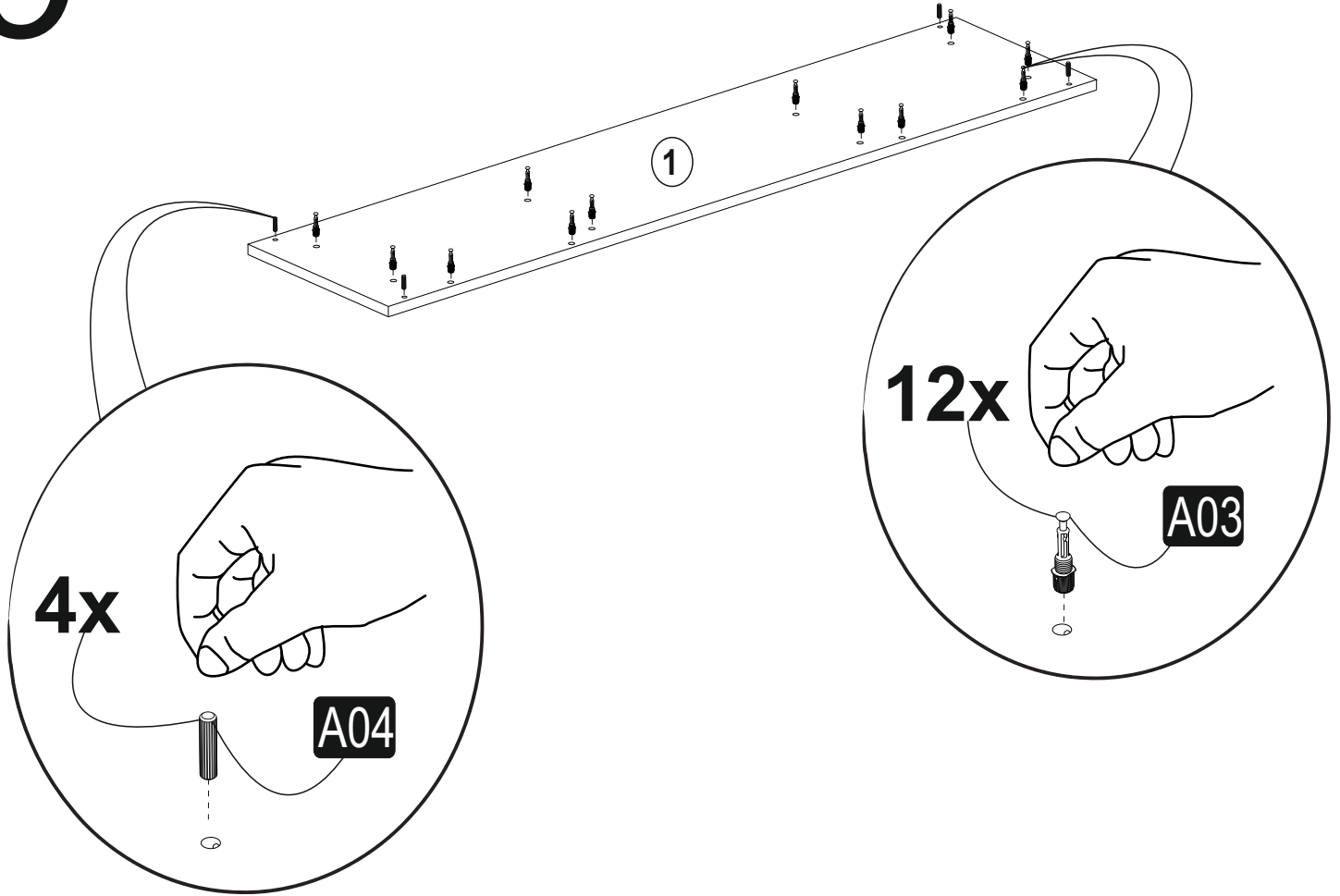


9

step i

*Please insert A03 (minifix screw) into the holes on the piece #1 as shown below

*Please insert A04 (dowel) into the holes on the piece #1 as shown below

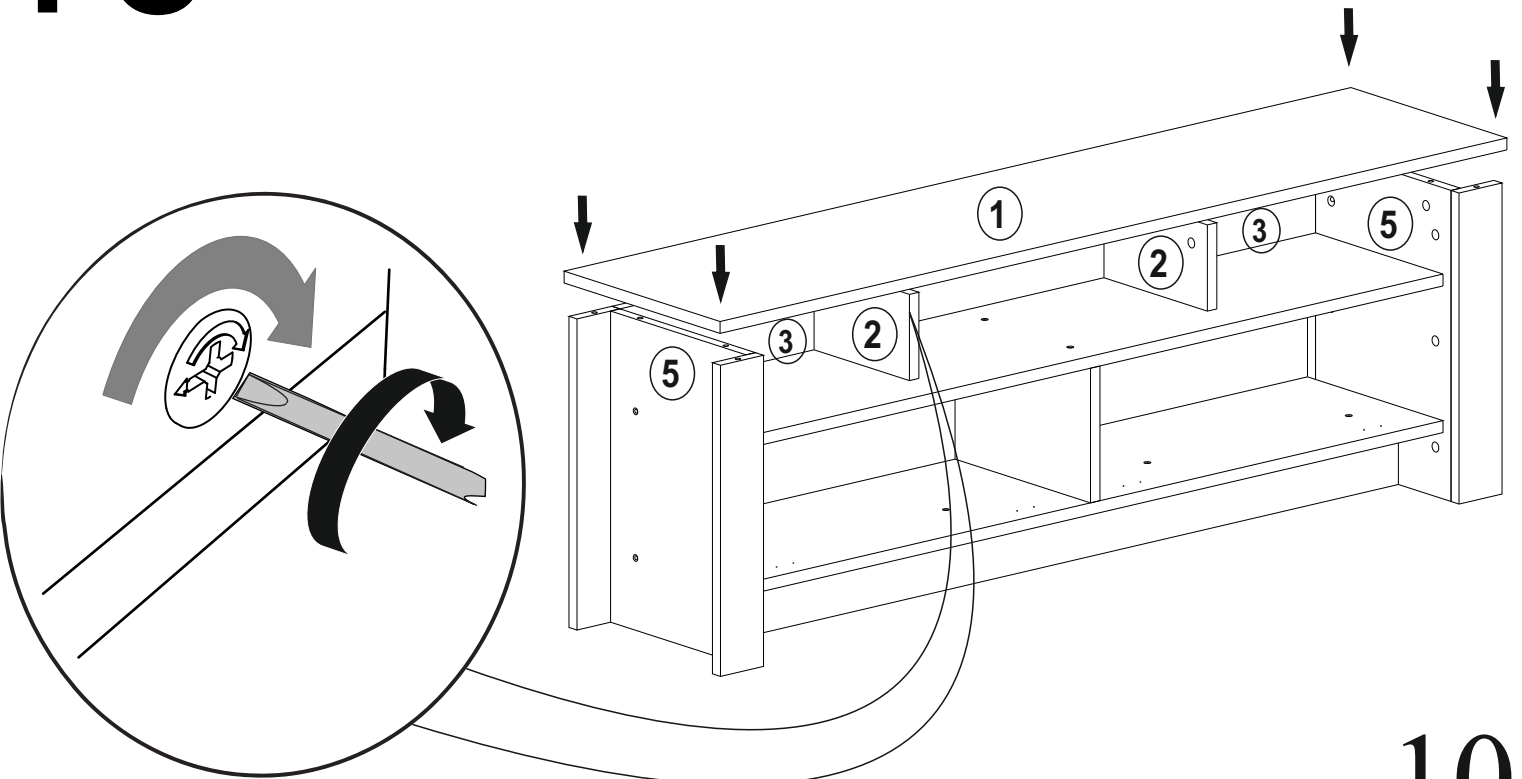


10

step j

*Please attach the piece #1 onto the pieces #2,#3 and #5 as shown below

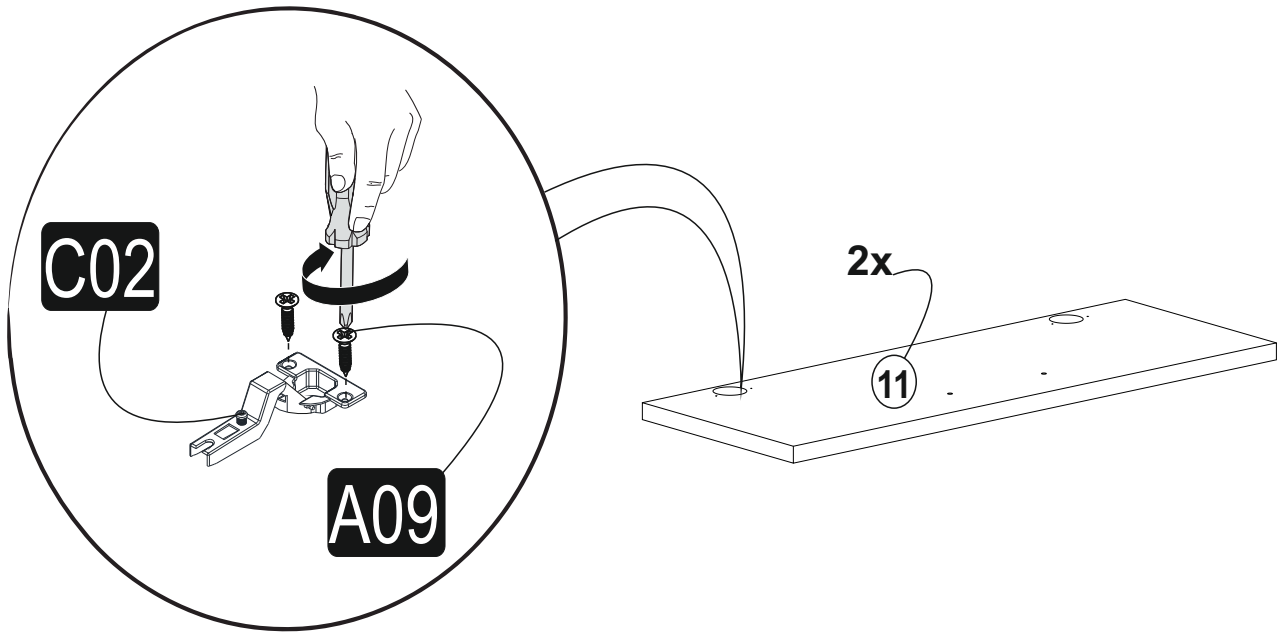
*Now screw the A02 (minifix head) clockwise direction with the help of screwdriver.



10

11 step k

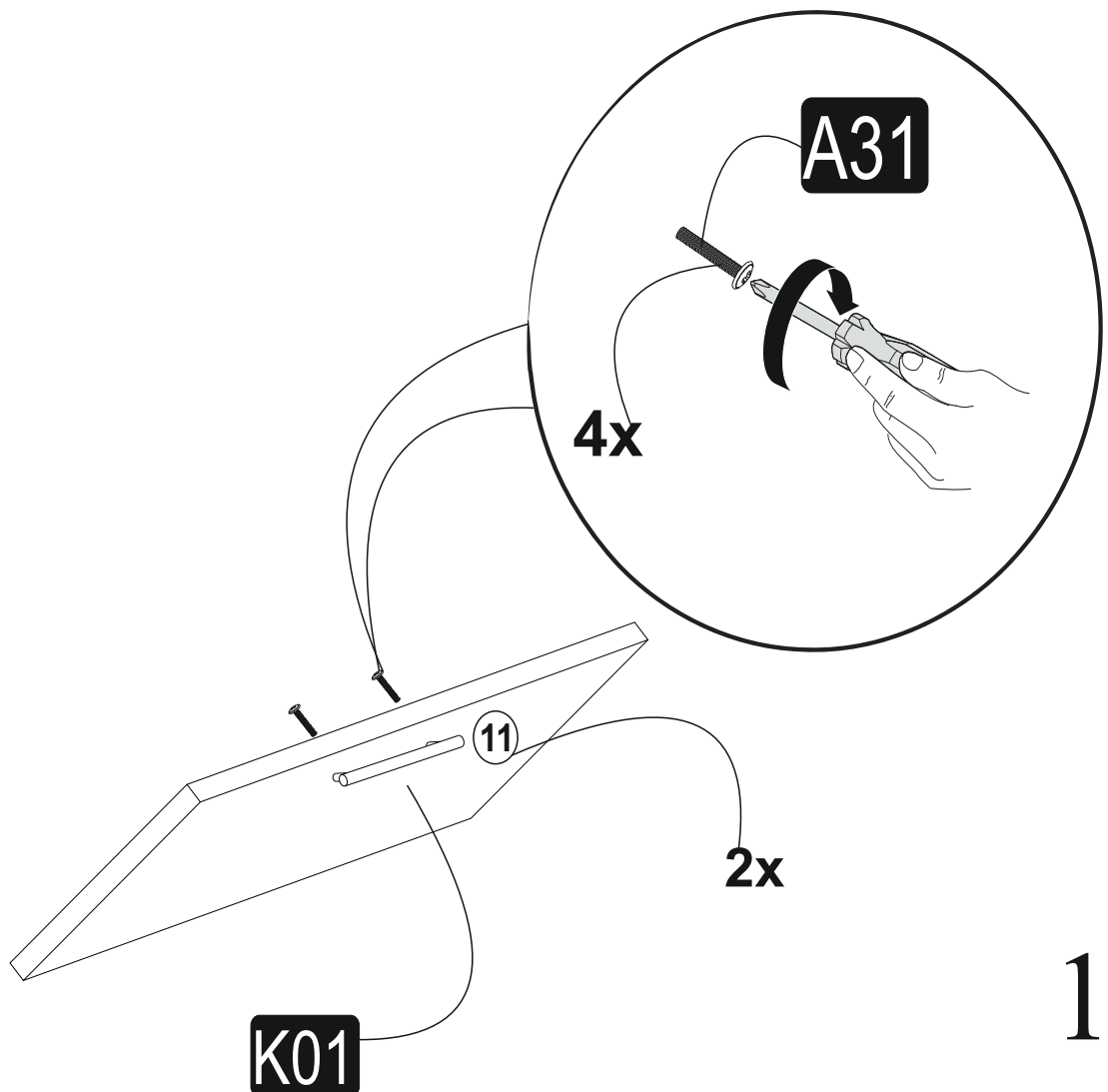
*Please put all C02 (bracelets) into the big holes on piece #11 the way they will fit the pre-drilled holes
*Now take A09 (3.5x18 screw) and put them on pre-drilled holes then turn them all with screwdriver



12 step l

*Please put A31(M4x22 handle screw) into the holes on the pieces #11 as shown below then attach the K01 (128 mm handle)

*Now turn A31(M4x22 handle screw) clockwise direction with the help of screwdriver.



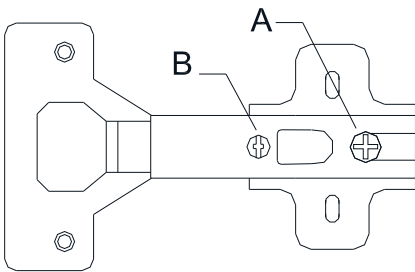
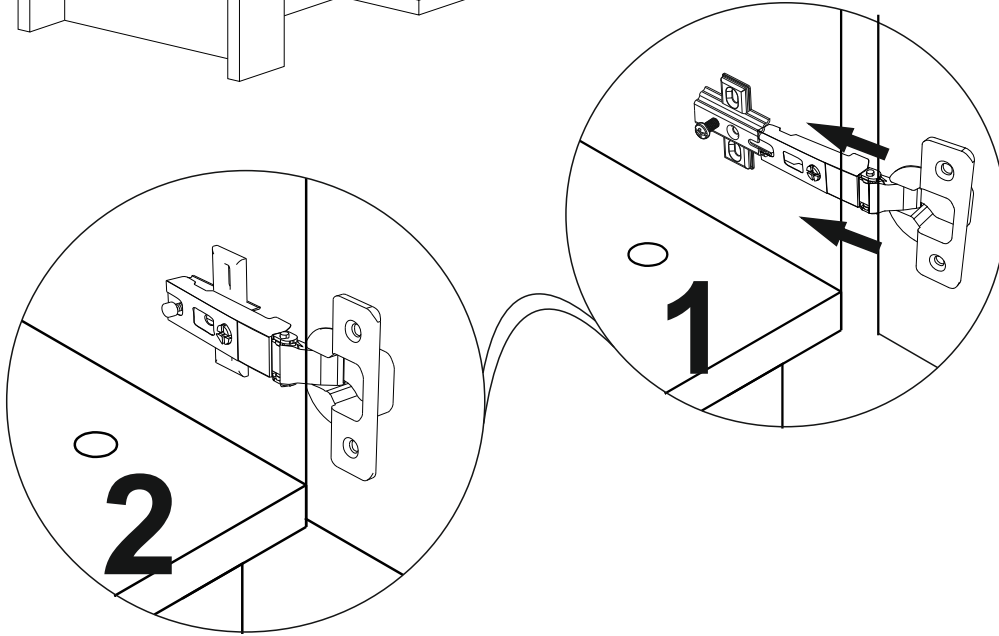
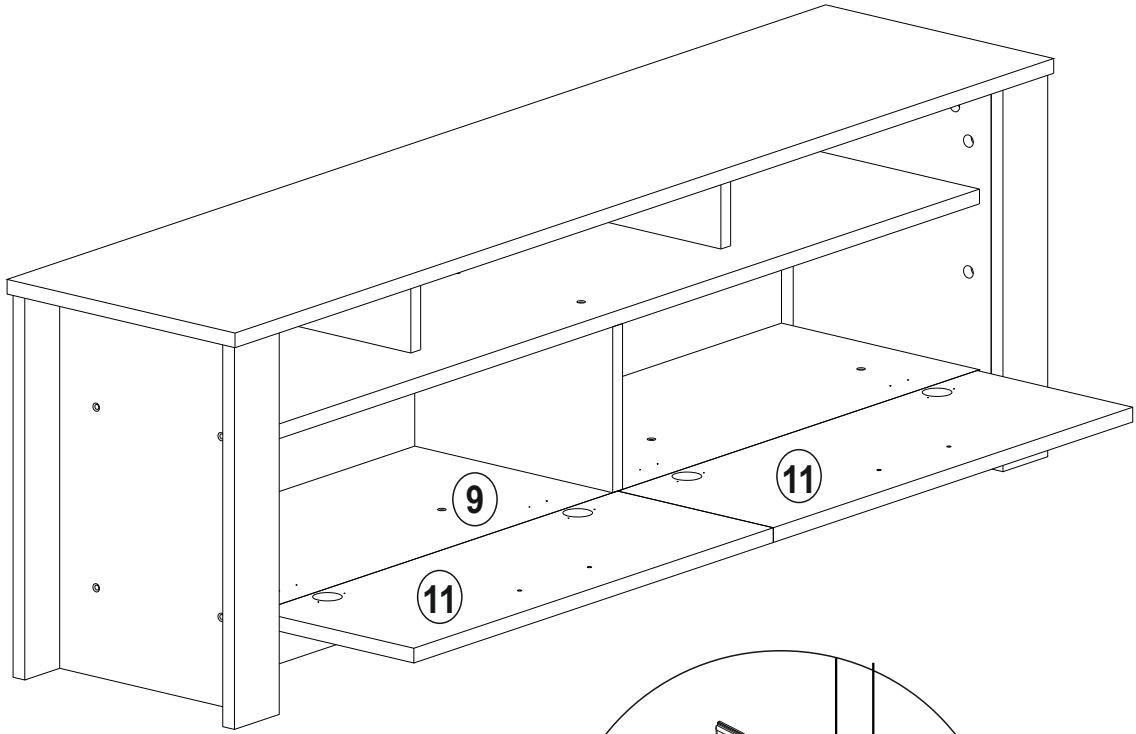
step m

13

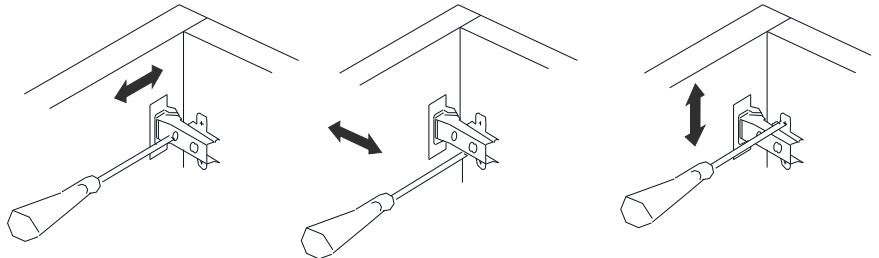
*Please connect C04(pivot) and C02 (bracelet) as shown in figure

*Turn the screw A

*You can make some adjustment with screw B for better opening and closing of door



A= menteşe bağlama vidası / to connect the hinge to the door
B = kapak ayar vidası / to arrange the door



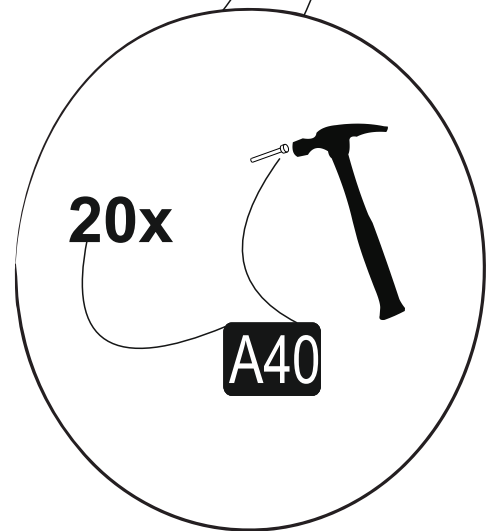
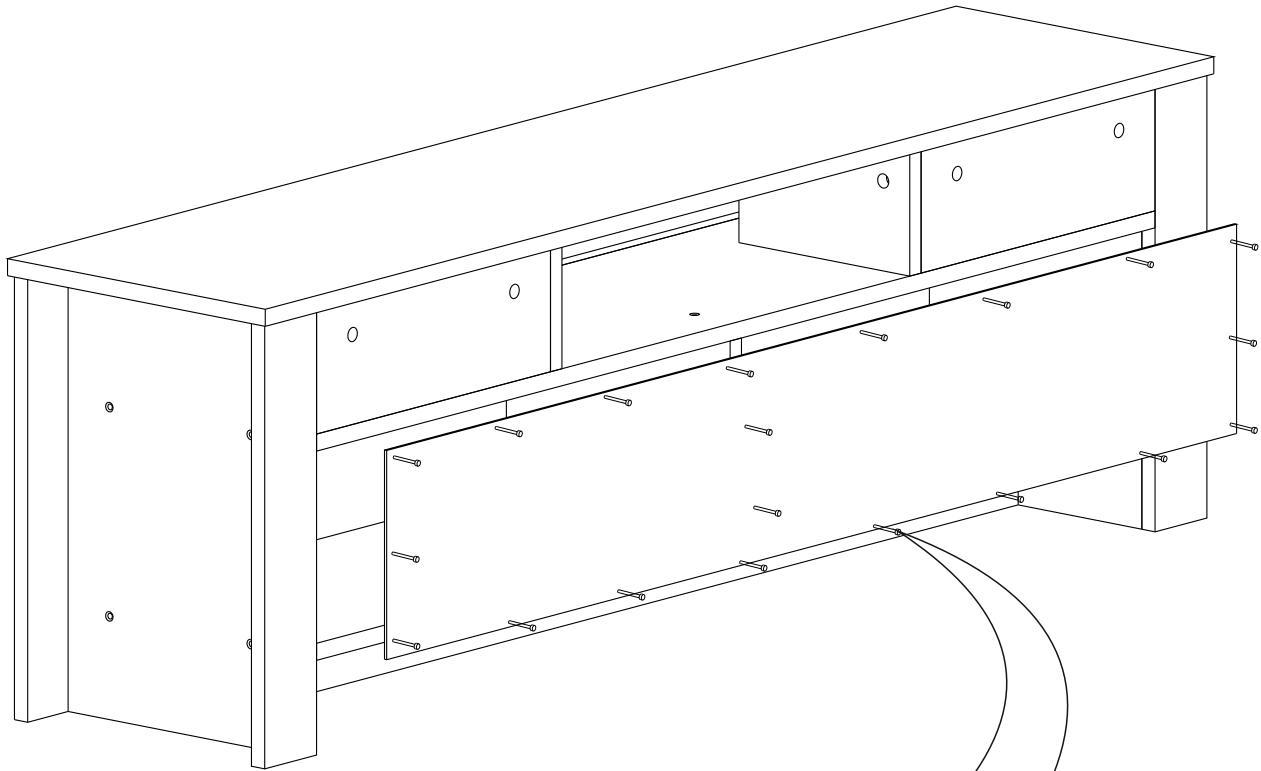
oklar kapağın ayarlama yönünü gösterir.
arrows to show the directions for arrangement of doors.

14

step n

*Please take the panel and nail down with the help of a hammer

*For the best result use all nails given in the hardware pack

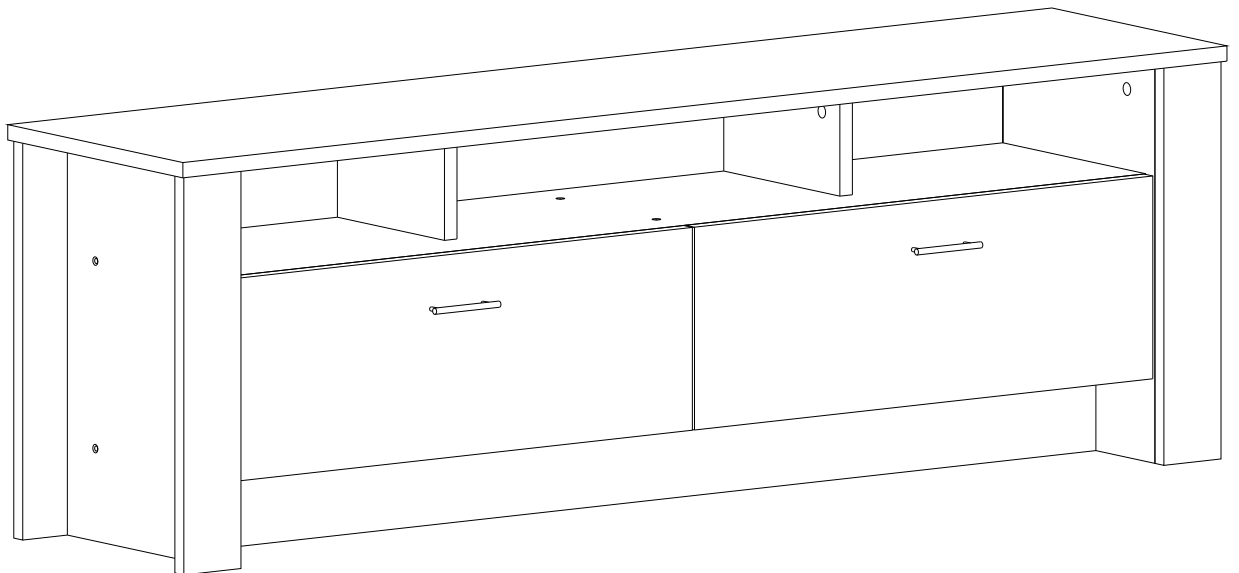
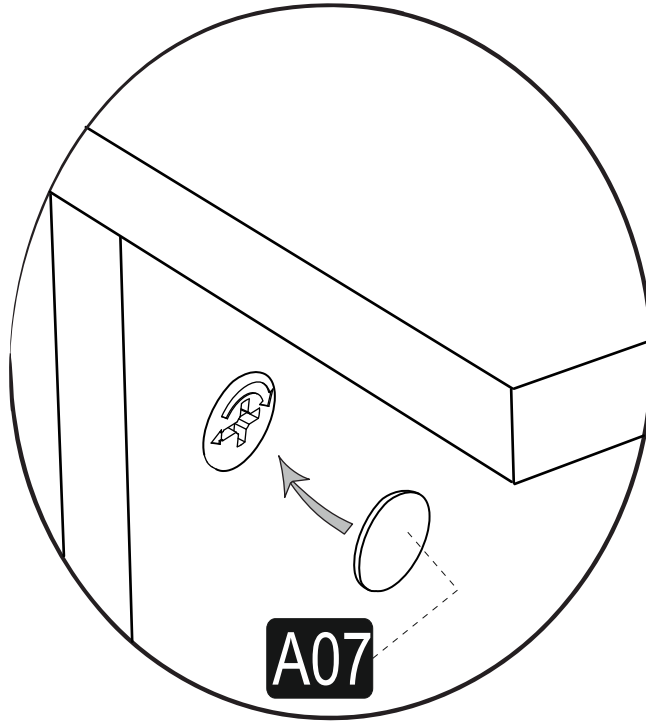


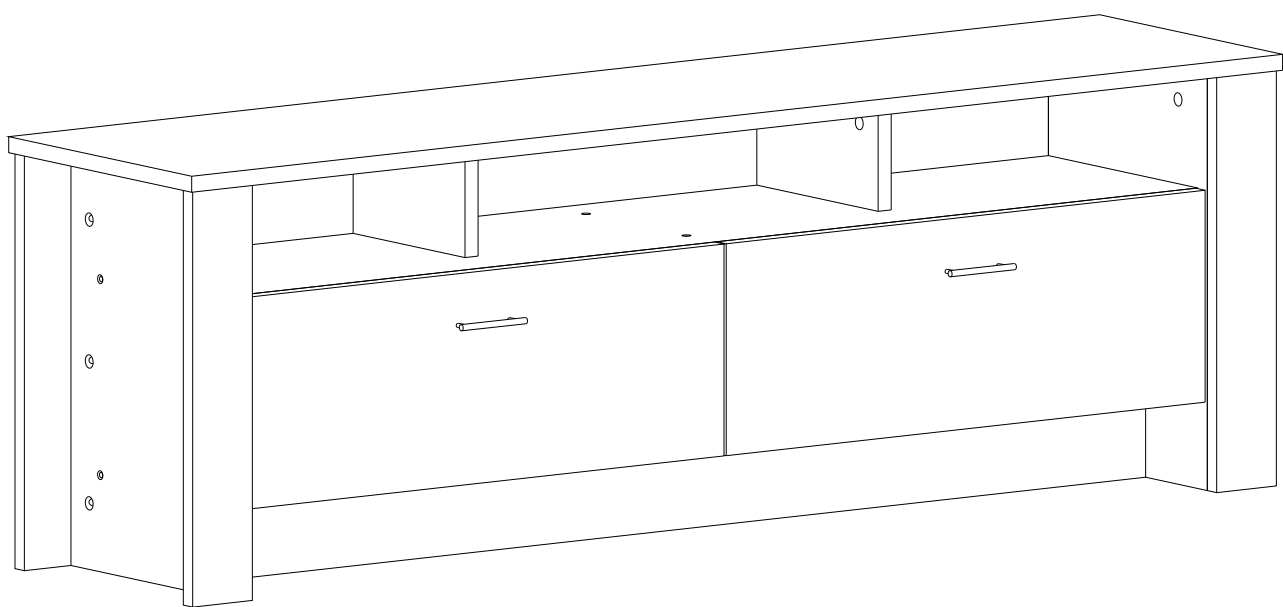
Please do not neglect installing the back panel of the tv stand. Installing the back panel will both make your tv stand sturdier and look better.

15

step o

*For the best appearance of your furniture please place all A07(18 mm sticker) onto the A13 (50 mm screw) and A02(minifix head).





final look

