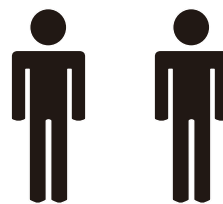


Tools required
(not included)



2 people for assembly



Safety and Care Advice

Important – Please read these instructions fully before starting assembly

- Check you have all the components and tools listed on the following pages.
- Remove all fittings from the plastic bags and separate them into their groups.
- Keep children and animals away from the work area, small parts could choke if swallowed.
- Make sure you have enough space to layout the parts before starting.

- During assembly do not stand or put weight on the product, this could cause damage.
- Assemble the item as close to its final position (in the same room) as possible.
- Assemble on a soft level surface to avoid damaging the unit or your floor.
- Parts of the assembly will be easier with 2 people.



power drill is set on a low torque setting.

- To reduce the likelihood of damaging your product please ensure that your

Care and maintenance

- Only clean using a damp cloth and mild detergent, do not use bleach or abrasive cleaners.
- From time to time check that there are no loose screws on this unit.
- This product should not be discarded with household waste. Take to your local authority waste disposal centre.

Handy Hints

- Assemble all parts and bolts loosely during assembly, only once the product is complete should you fully tighten the bolts
- Regularly check and ensure That all bolts and fittings are tightend properly.

WARNING In order to help prevent overturning – please follow these instructions

To help prevent product toppling over please follow the below steps:-

Use the anti tip stap or wall fixing method provided (if applicable)
Do not allow children to climb or hang on the furniture
Do not open more than one drawer at a time
Do not place heavy items in the top drawers
Do not place heavy items on top of the furniture, unless the furniture has been designed for this purpose

please note that only the anti tip strap is provided.
You will need to provide wall plugs and screws applicable for your wall type

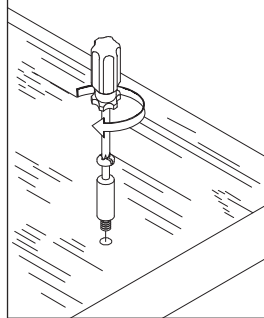
Using Camlocks

Step 1

Connect the male camlock as directed in the assembly instructions using a screwdriver.

1

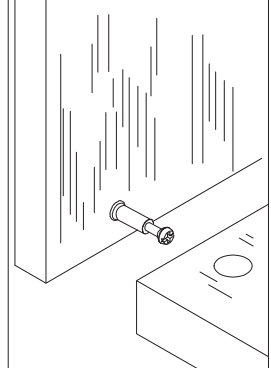
DO NOT OVER TIGHTEN.
NE PAS SERRER EXCESSIVEMENT.



Step 2

Push the male camlock into the entry hole.

2

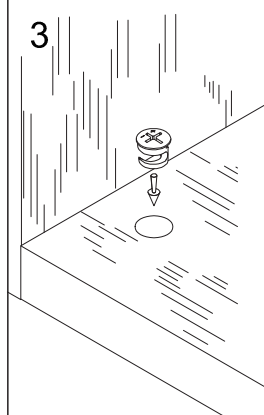


Step 3

Insert the female camlock as shown in the instruction.

Note: ensure that the arrow on the top of the camlock points towards the entry hole for the male camlock.

3



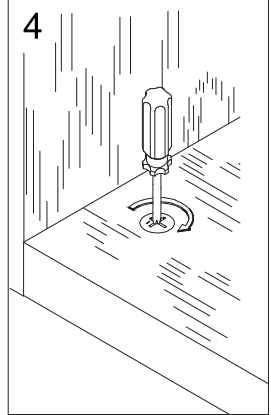
Step 4

Turn the female camlock clockwise with a screwdriver.

You should feel a click when the camlock is locked in place.

The joint is now secure.

4



WARNING



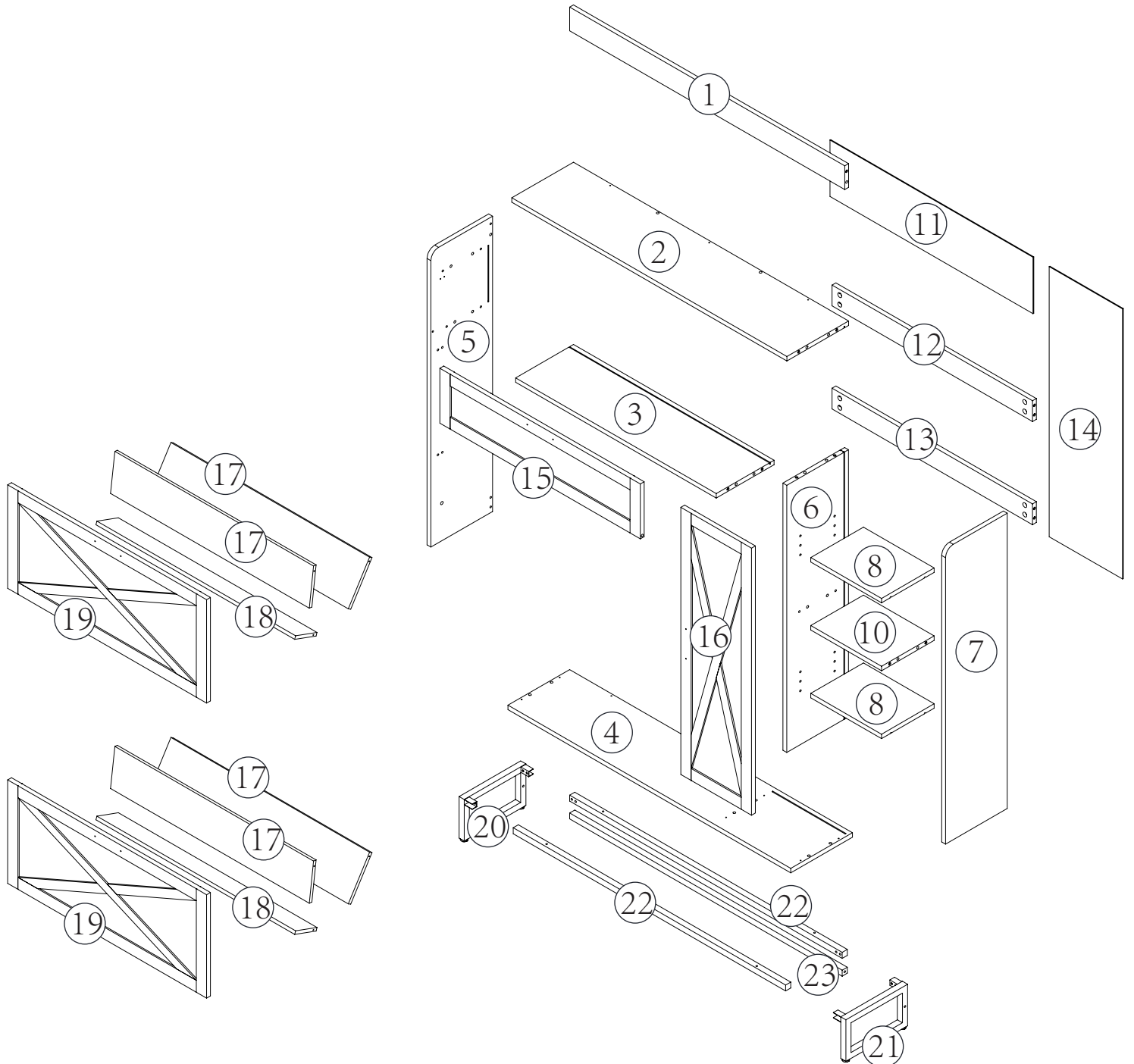
Children have died from furniture tipover. To reduce the risk of furniture tipover:

- ALWAYS install tipover restraint provided.
- NEVER put a TV on this product.
- NEVER allow children to stand, climb or hang on drawers, doors, or shelves.
- NEVER open more than one drawer at a time.
- Place heaviest items in the lowest drawers.



This is a permanent label.
Do not remove!

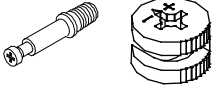
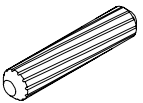
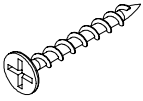
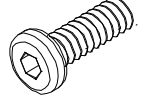
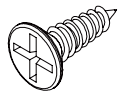
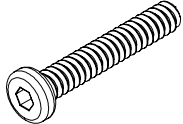
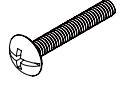
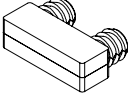
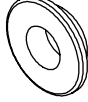
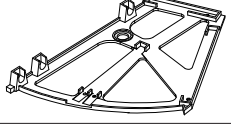
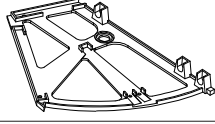

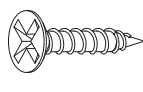
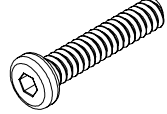
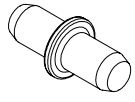
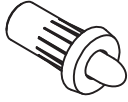
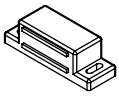


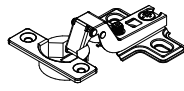
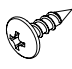
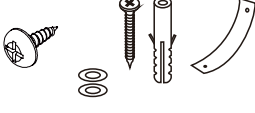
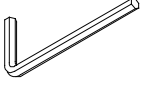
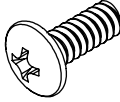
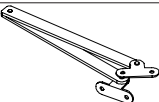
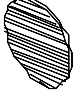
PRODUCT ASSEMBLY



Components - Fittings

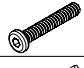

Please check you have all the panels listed below

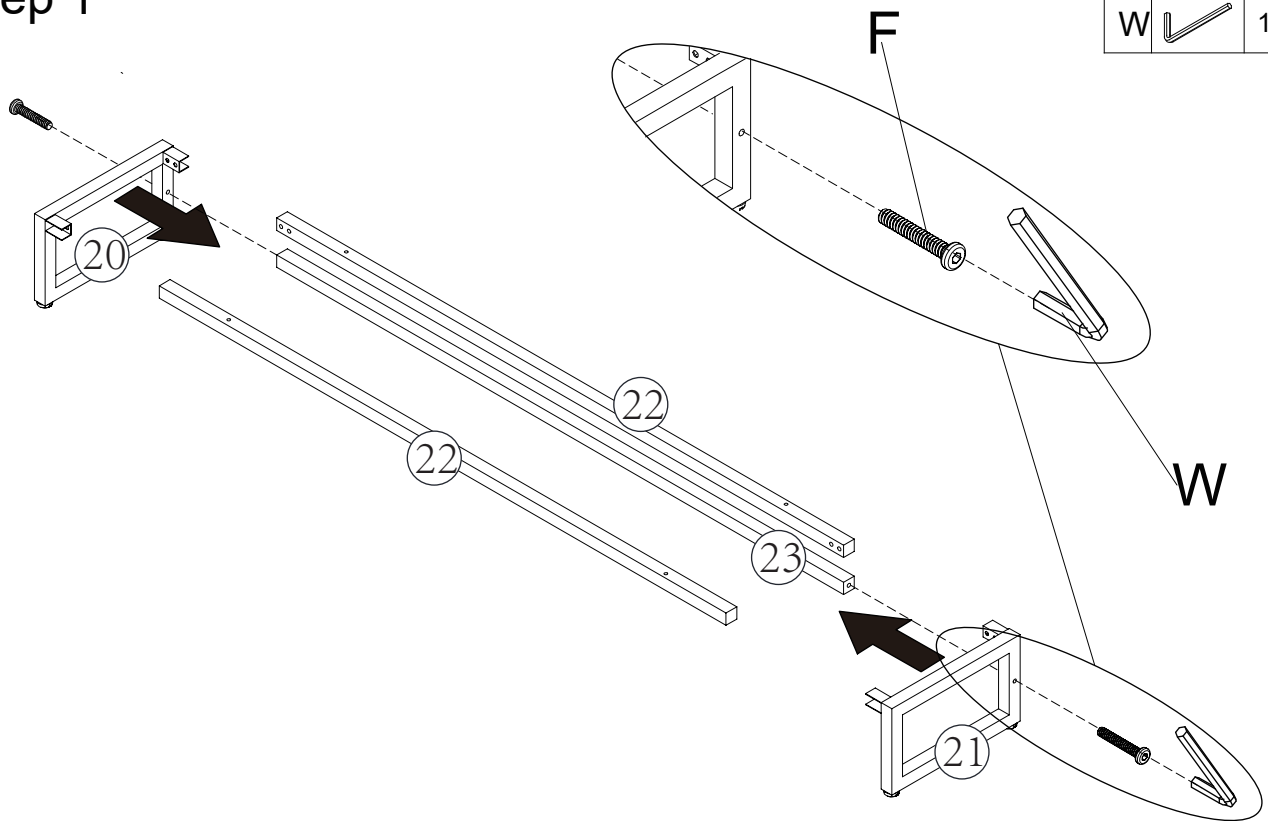
Note: The quantitie below are the correct amount to complete the assembly. In some cases more fittings may be supplied than are required.

A		24 sets +2 sets	B		24 pcs +2 pcs
C		11 pcs +1 pc	D		4 pcs
E		32 pcs +3 pcs	F		2 pcs
G		8 pcs	H		4 pcs
I		4 pcs	J		2 pcs
K		2 pcs	L		4 pcs
M		9 pcs	N		4 pcs
O		8 pcs	P		2 pcs
Q		1 pc	R		1 pc
S		10 sets +1 set	T		2 pcs
U		2 pcs	V		2 sets
W		1 pc	X		8 pcs
Z		2 pcs	Y		2 pcs


PRODUCT ASSEMBLY

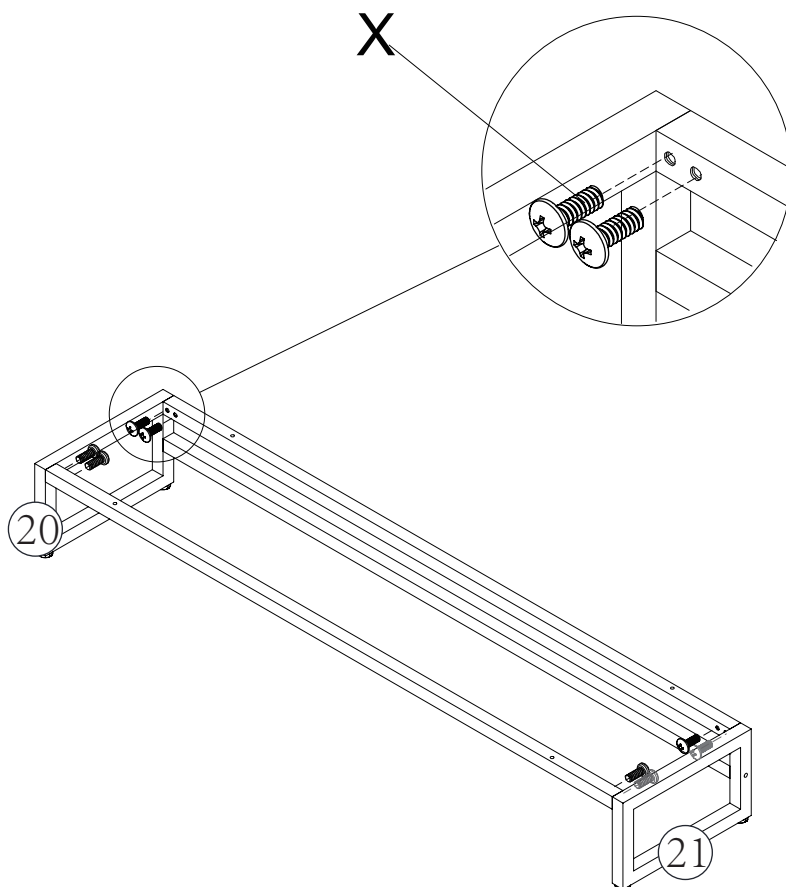
Step 1

F		2 pcs
W		1 pc






Step 2

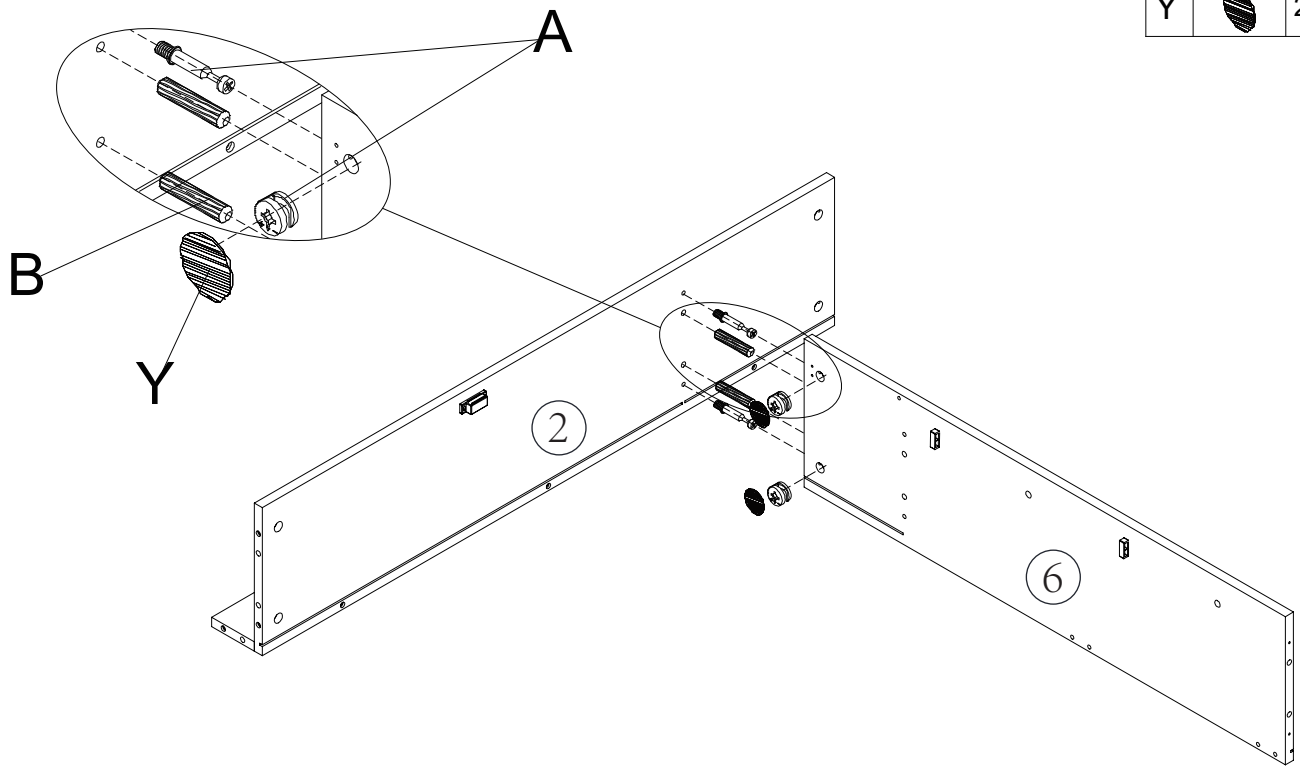
X		8 pcs
---	---	-------





PRODUCT ASSEMBLY

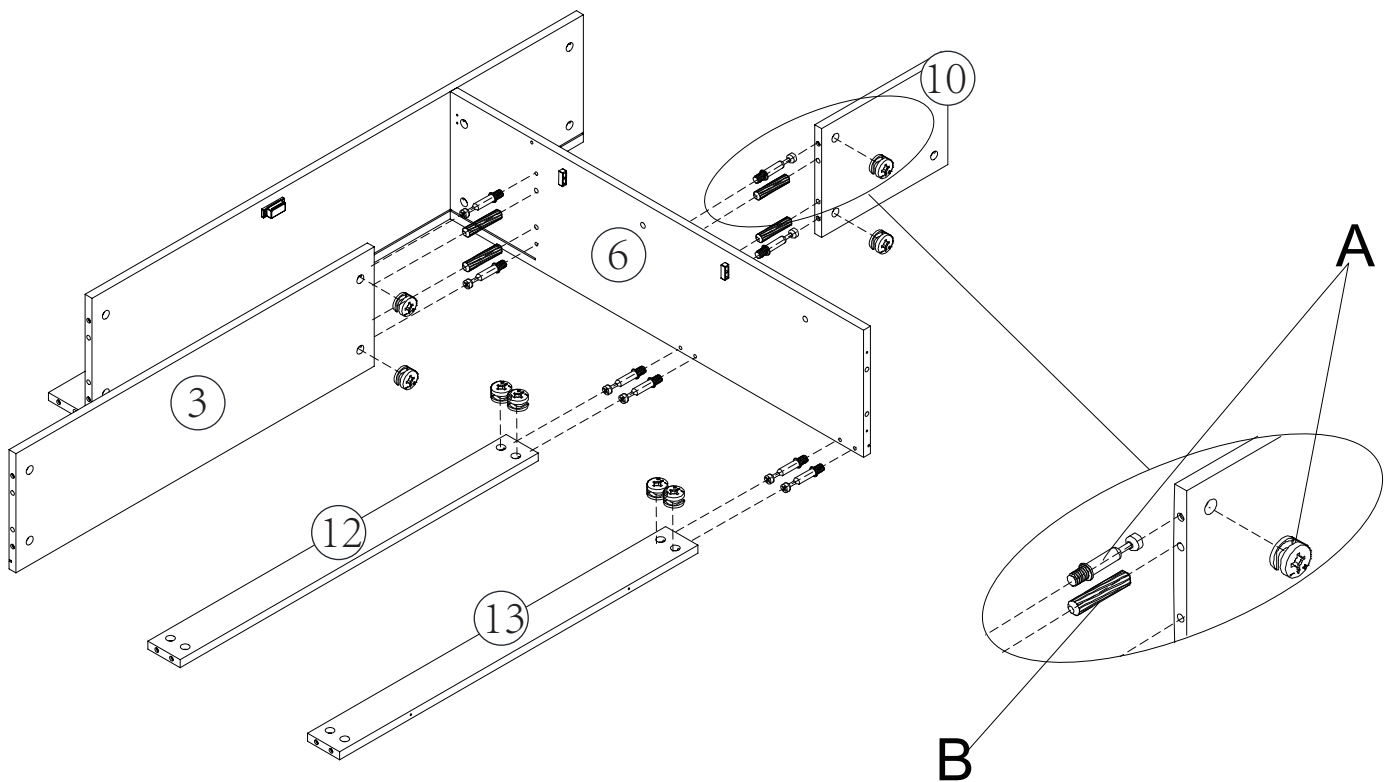
Step 5

A		2 sets
B		2 pcs
Y		2 pcs



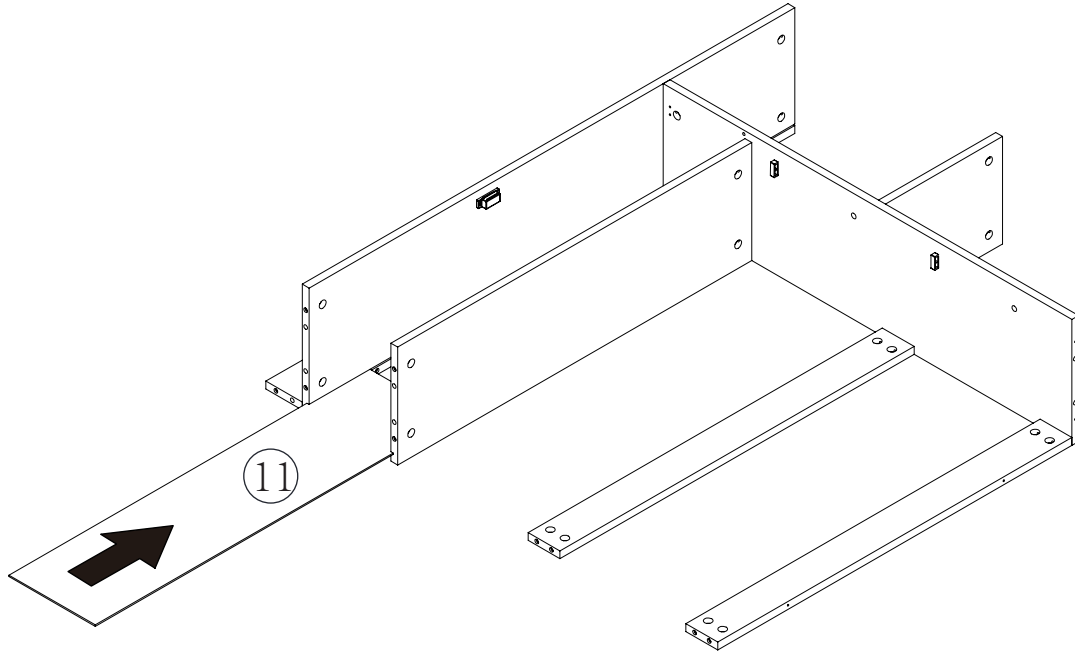
Step 6

A		8 sets
B		4 pcs





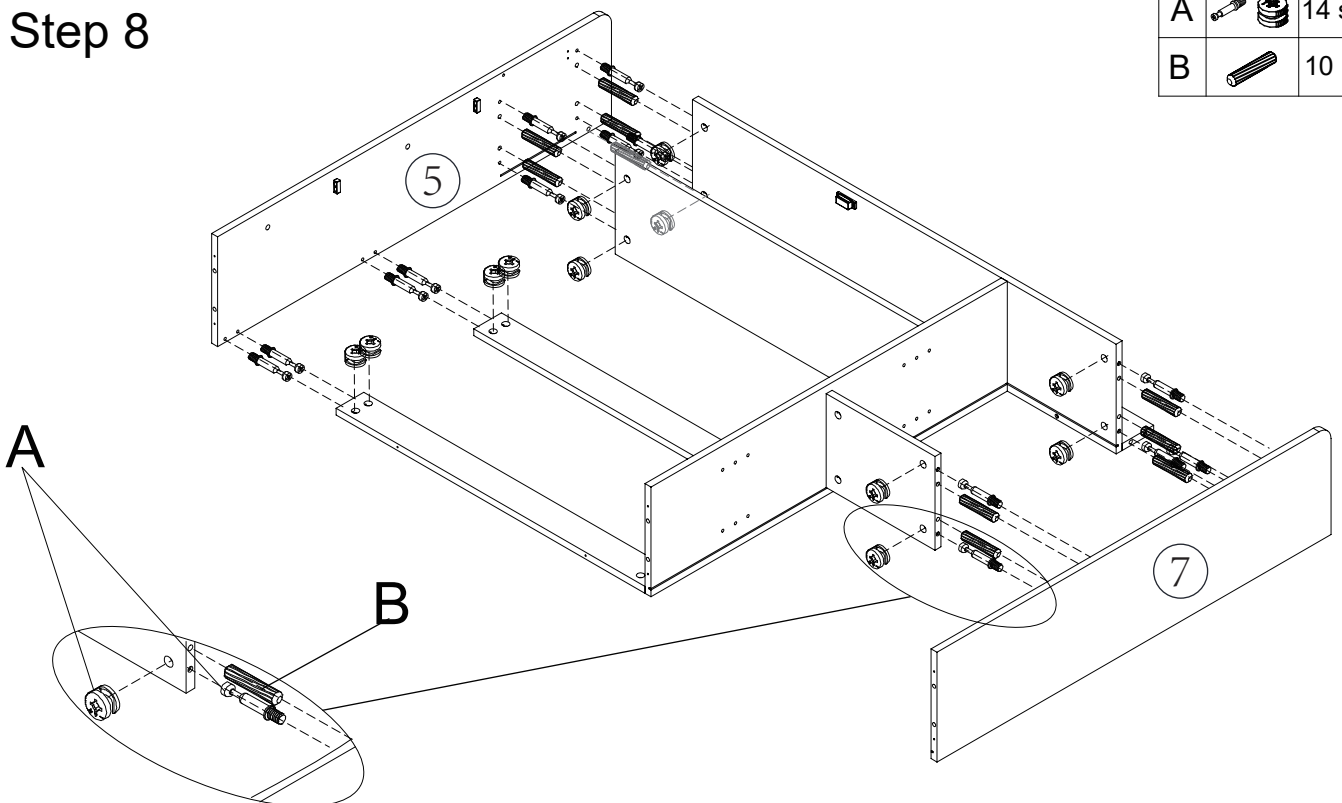
PRODUCT ASSEMBLY

Step 7



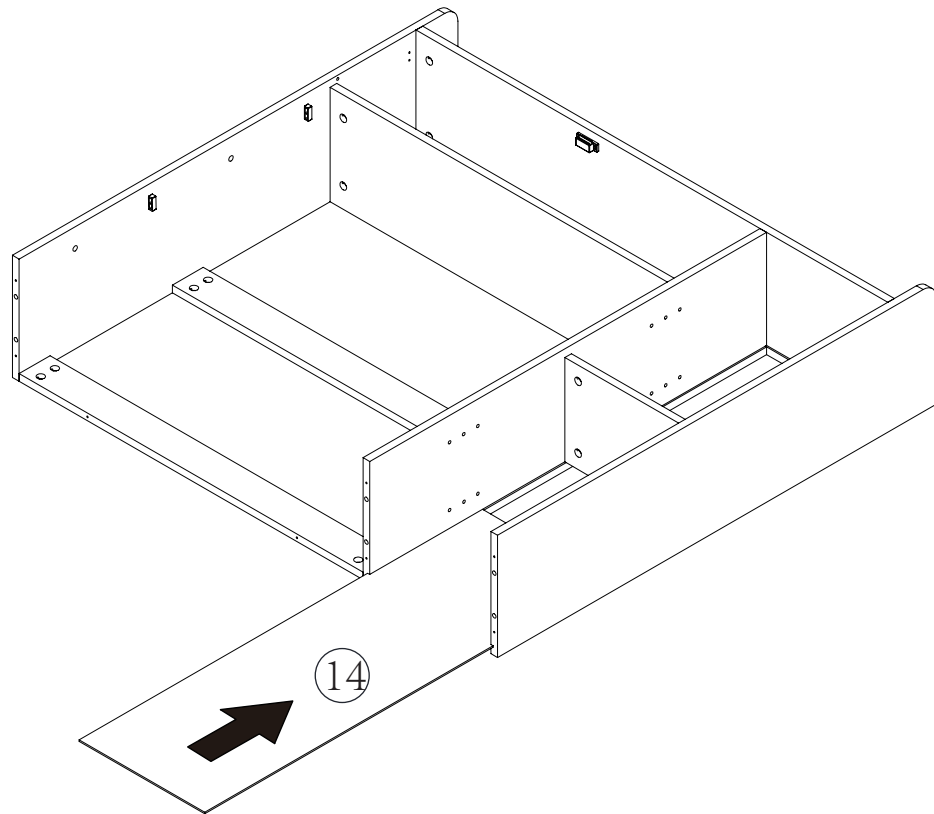
Step 8

A		14 sets
B		10 pcs

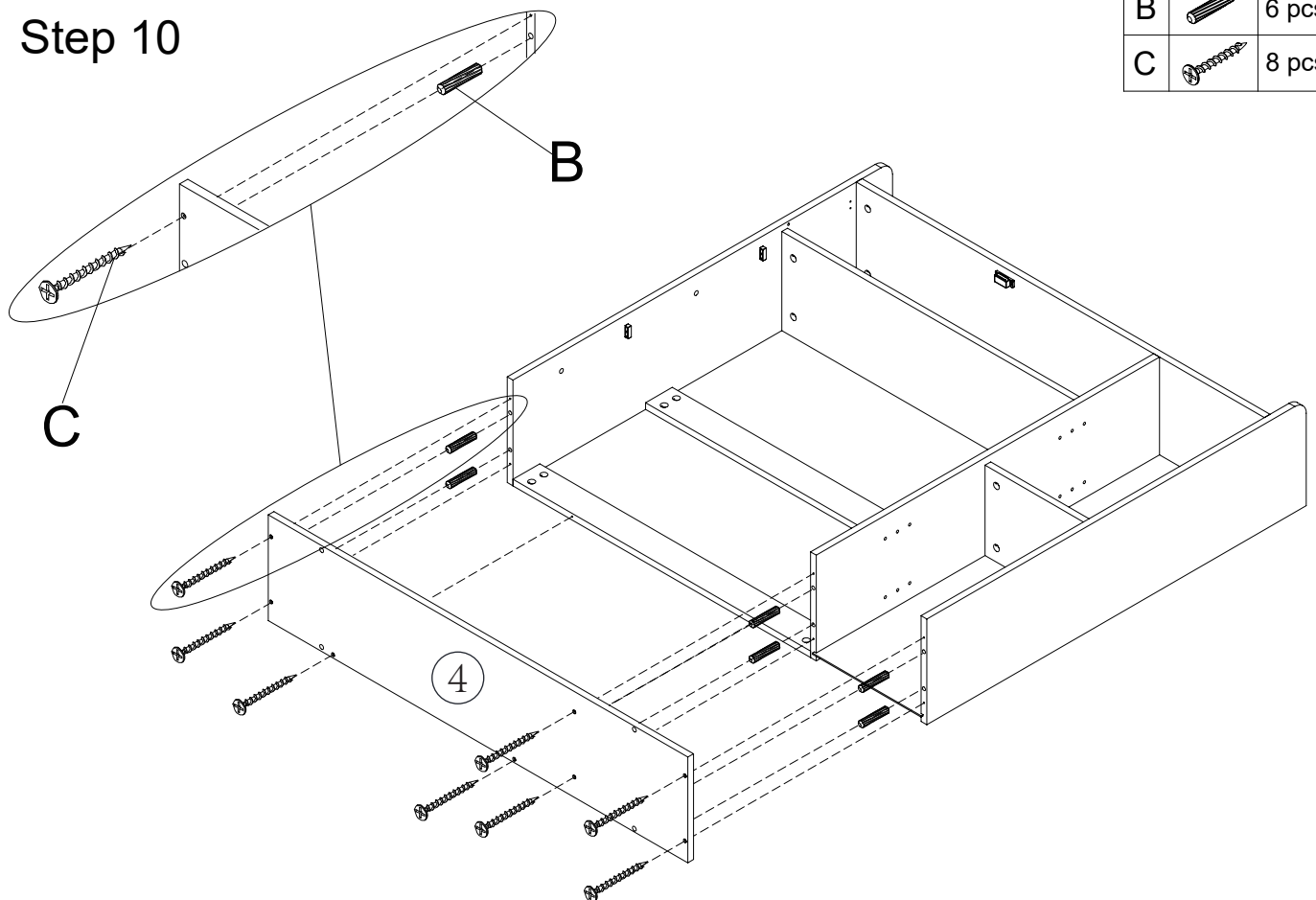


PRODUCT ASSEMBLY

Step 9



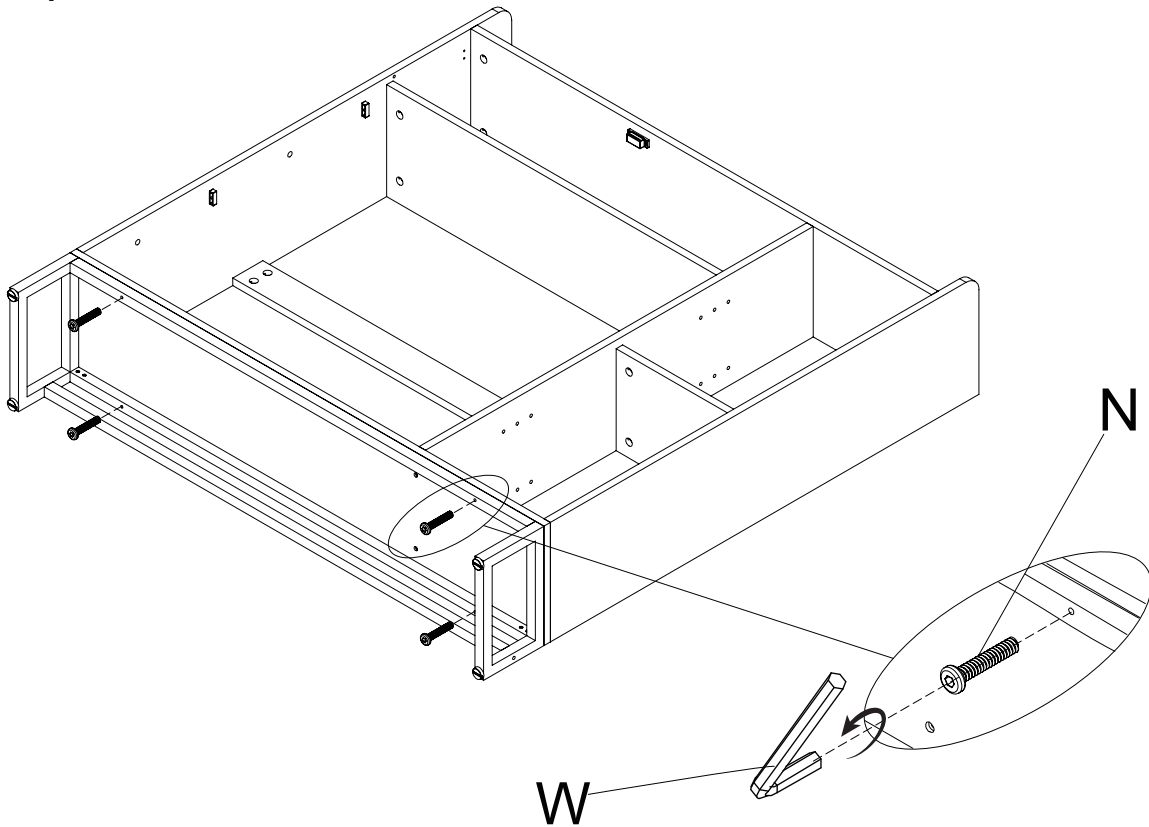
Step 10





PRODUCT ASSEMBLY

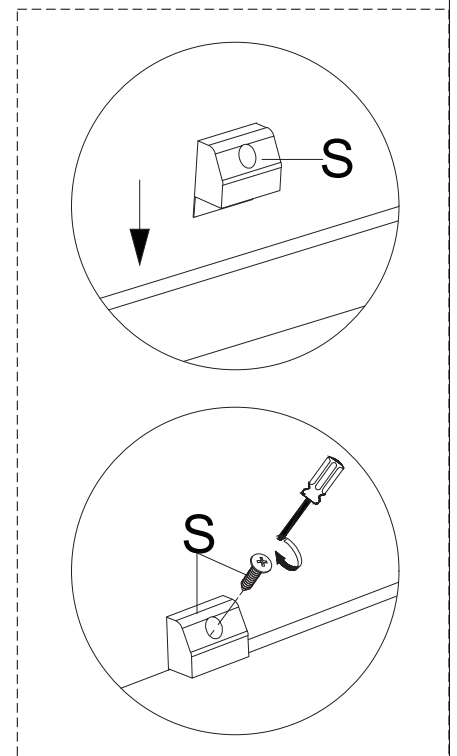
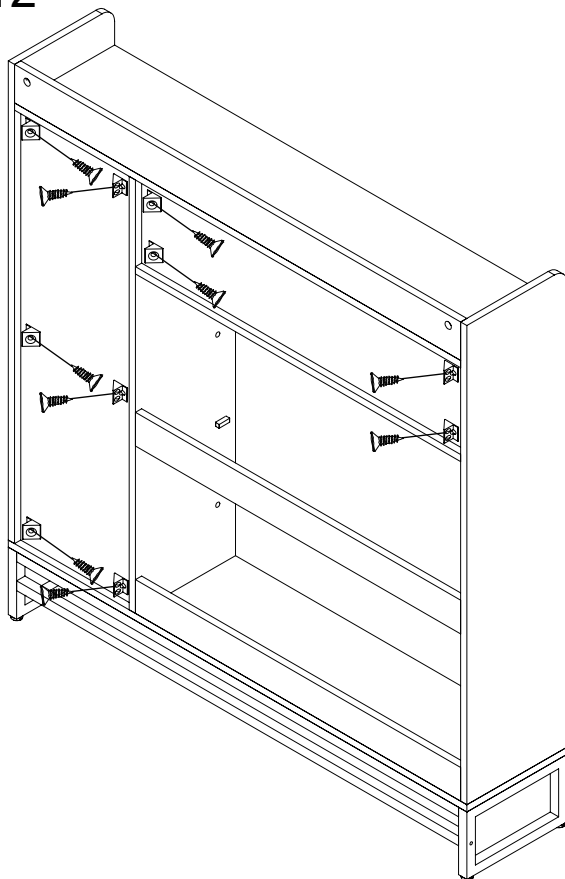
Step 11

N  4 pcs








Step 12

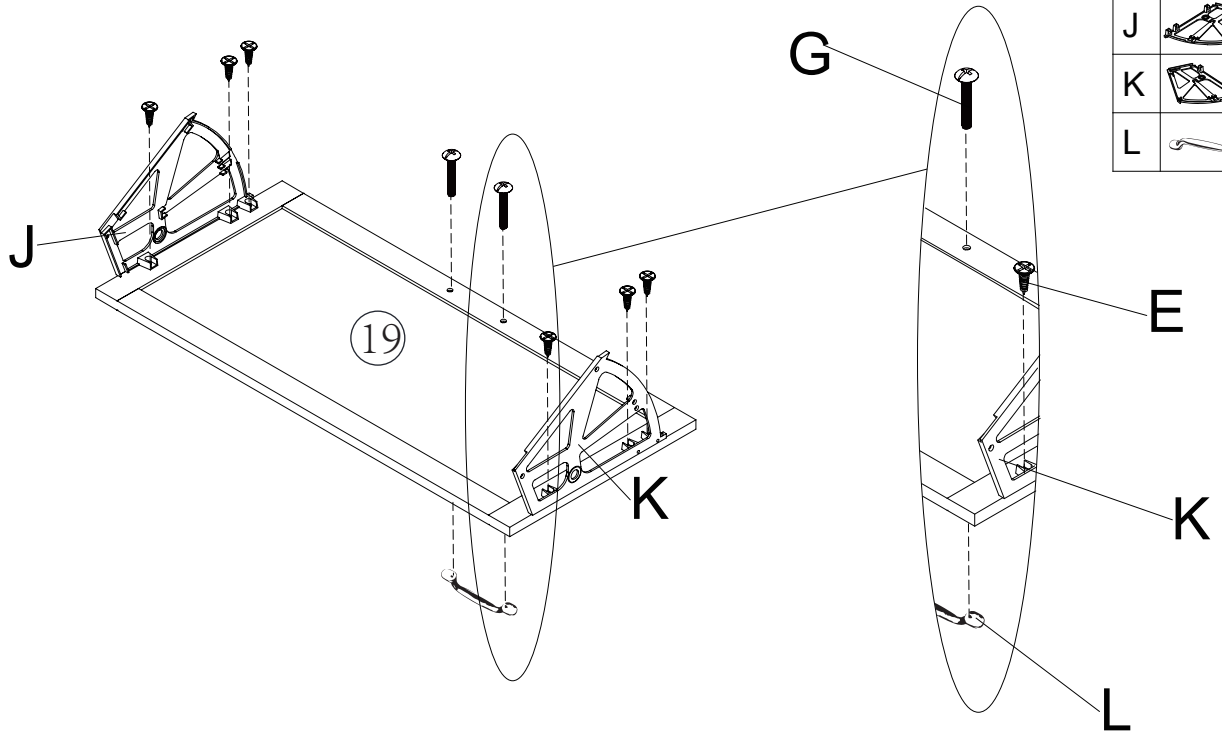
S   10 sets



PRODUCT ASSEMBLY

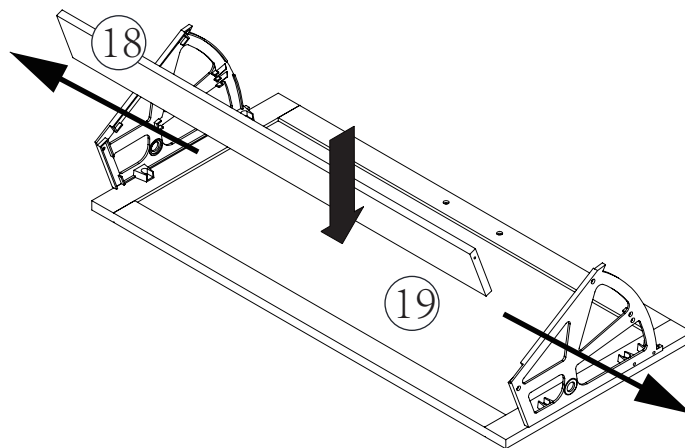
Step 13

E		12 pcs
G		4 pcs
J		2 pcs
K		2 pcs
L		2 pcs



X2

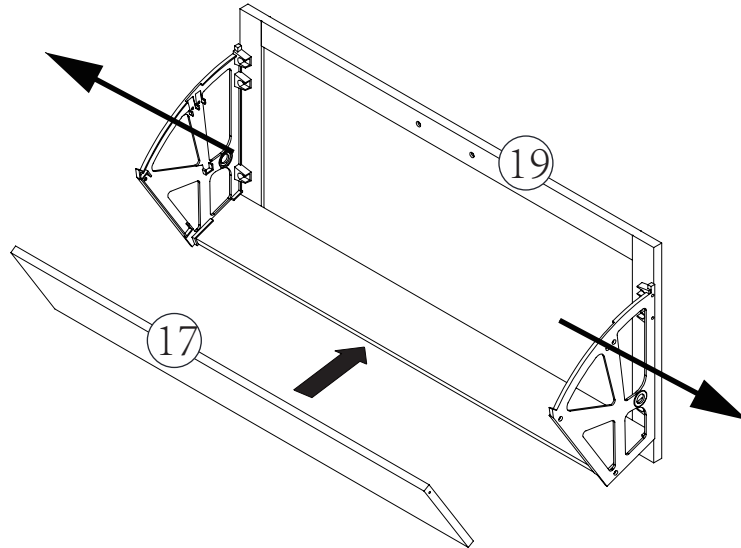
Step 14



X2

PRODUCT ASSEMBLY

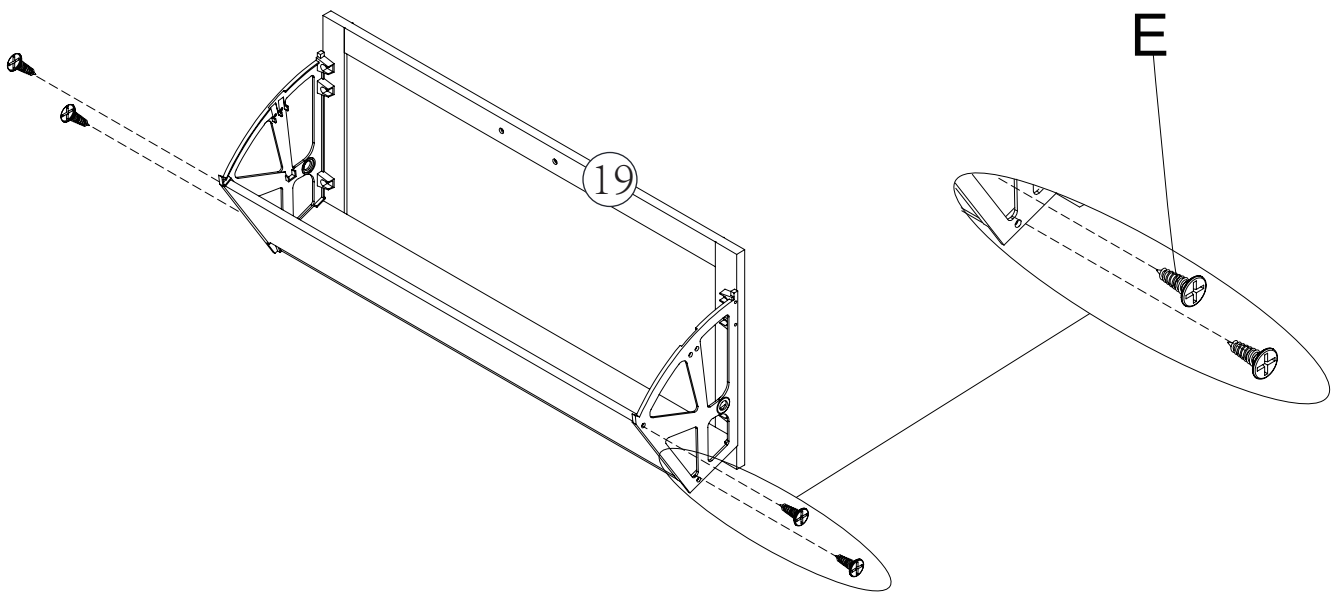
Step 15



X2

Step 16

E  8 pcs

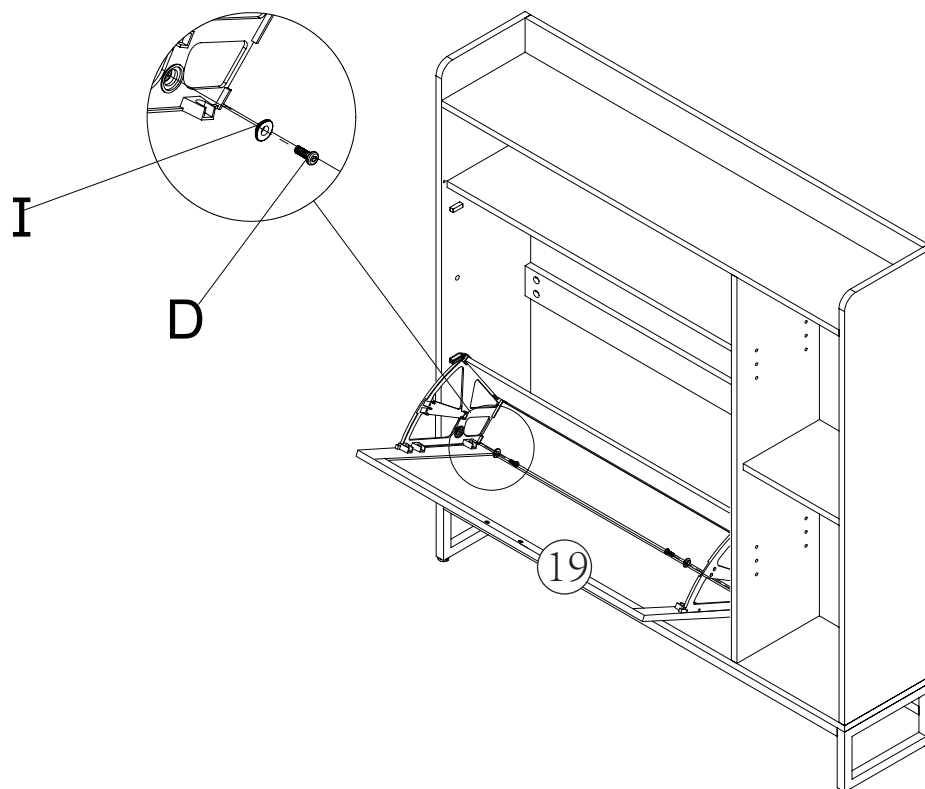


X2

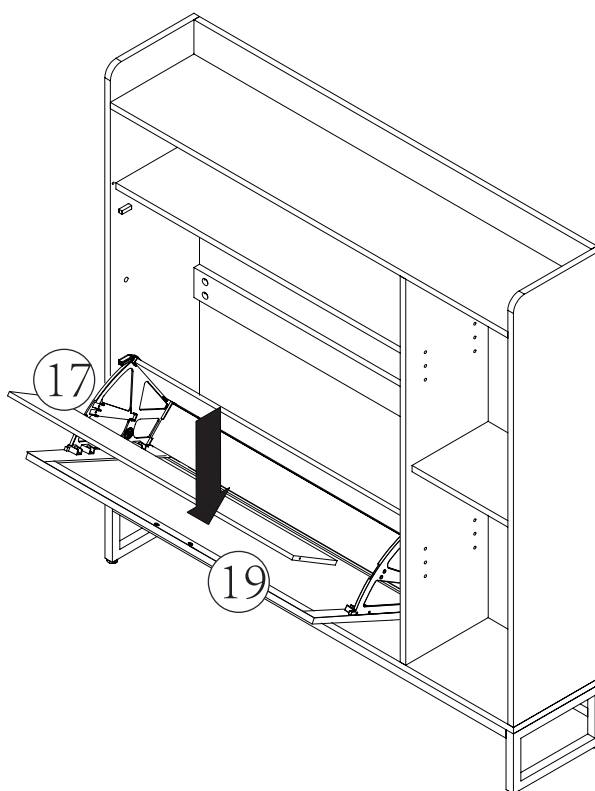
PRODUCT ASSEMBLY

Step 17

I		2 pcs
D		2 pcs



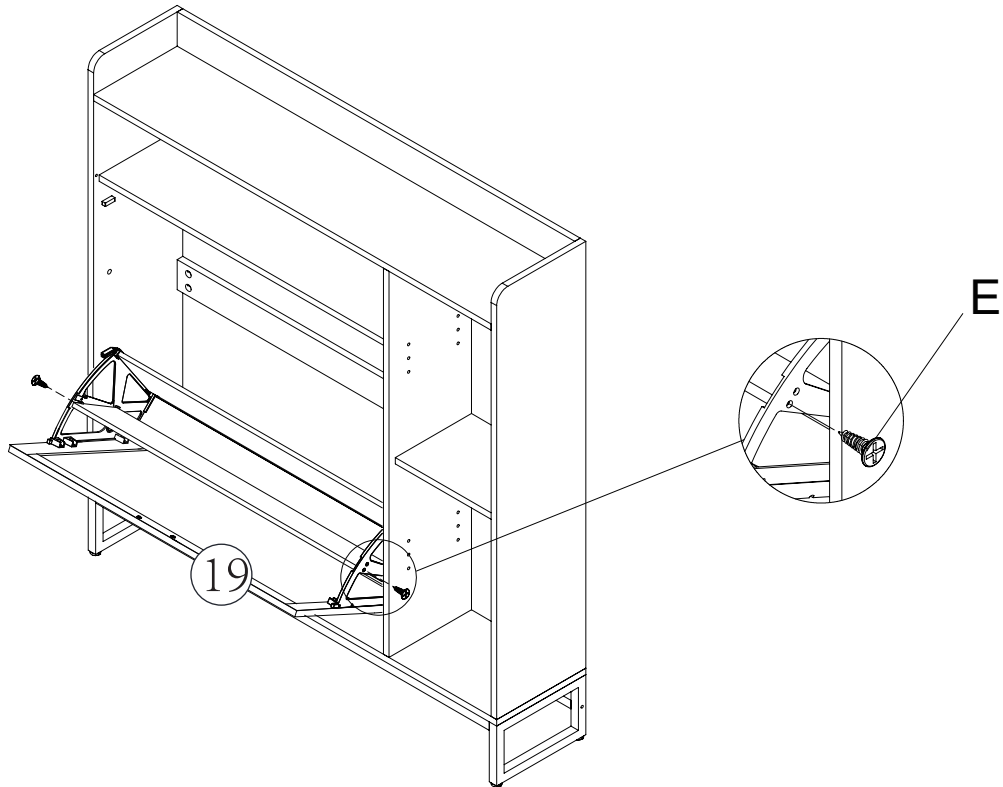
Step 18





PRODUCT ASSEMBLY

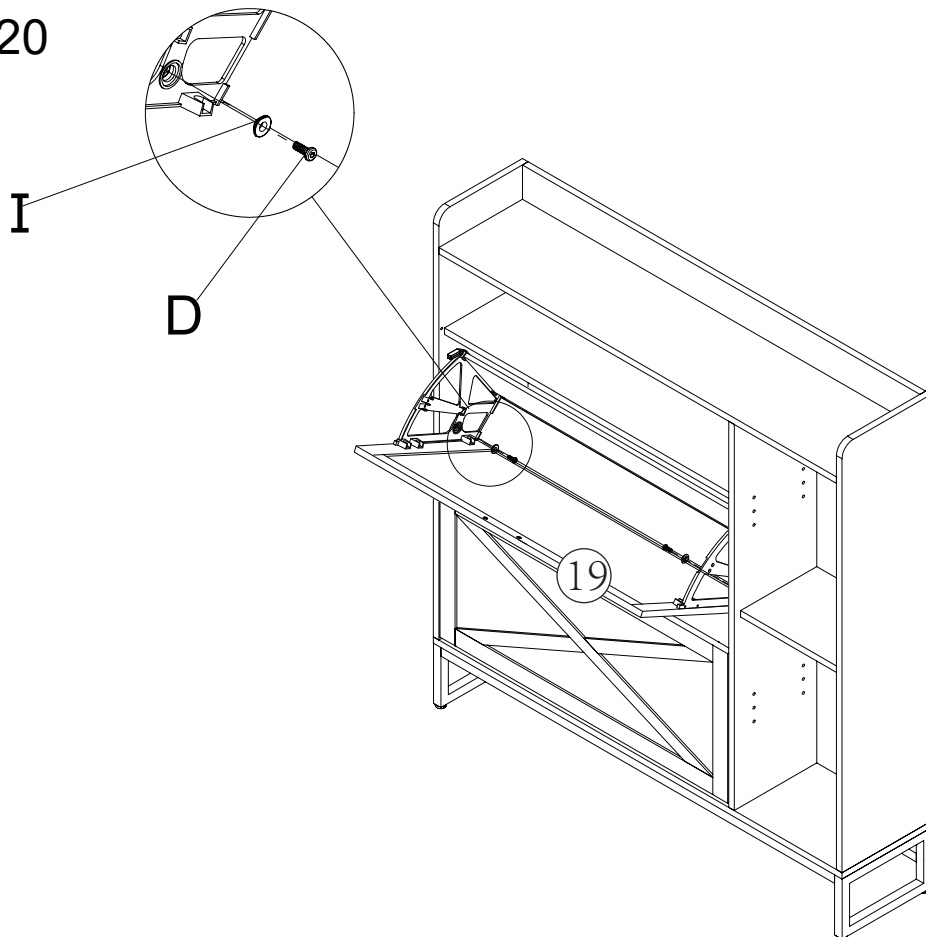
Step 19

E		2 pcs
---	---	-------



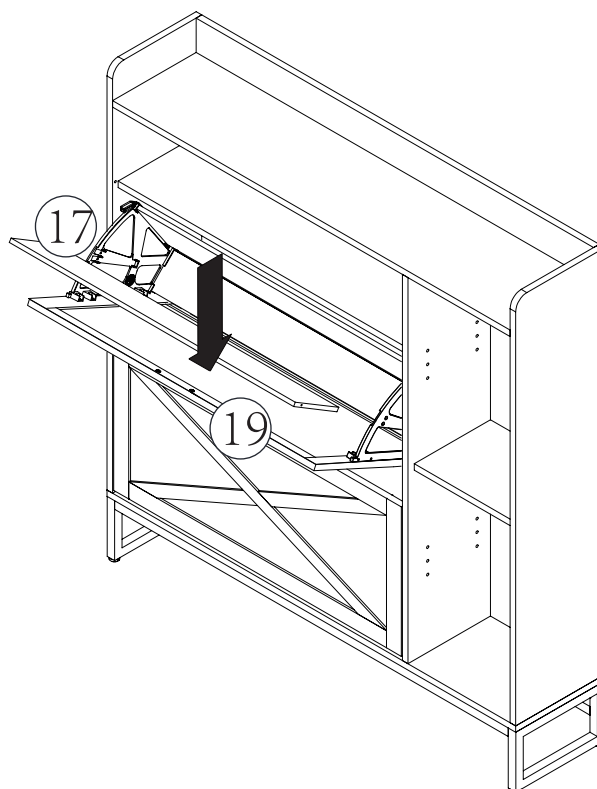
Step 20

I		2 pcs
D		2 pcs



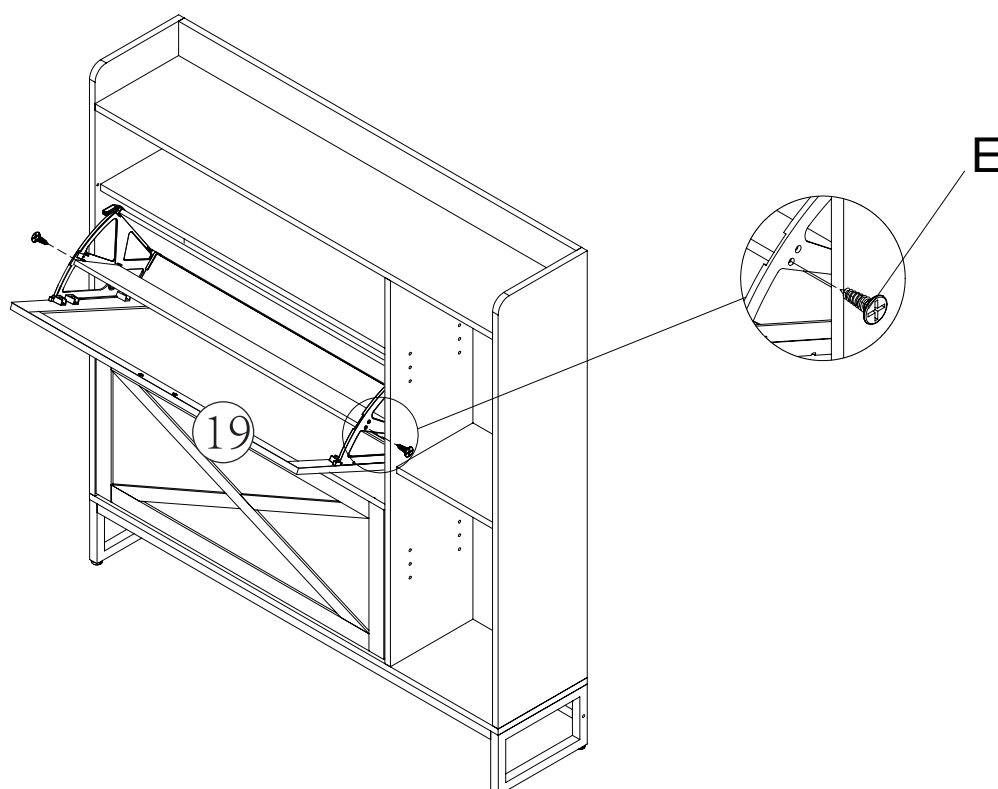
PRODUCT ASSEMBLY

Step 21



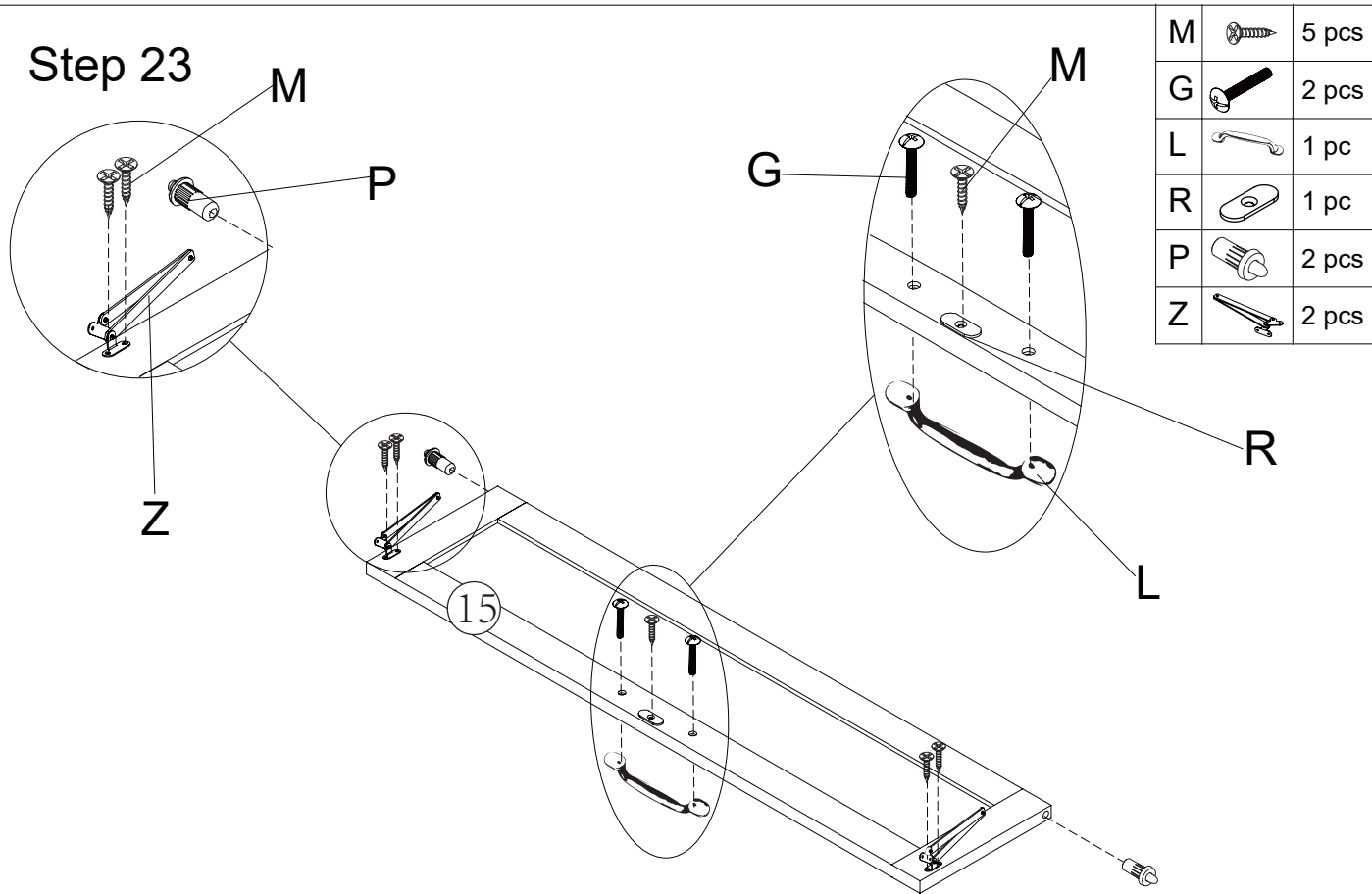
Step 22

E  2 pcs

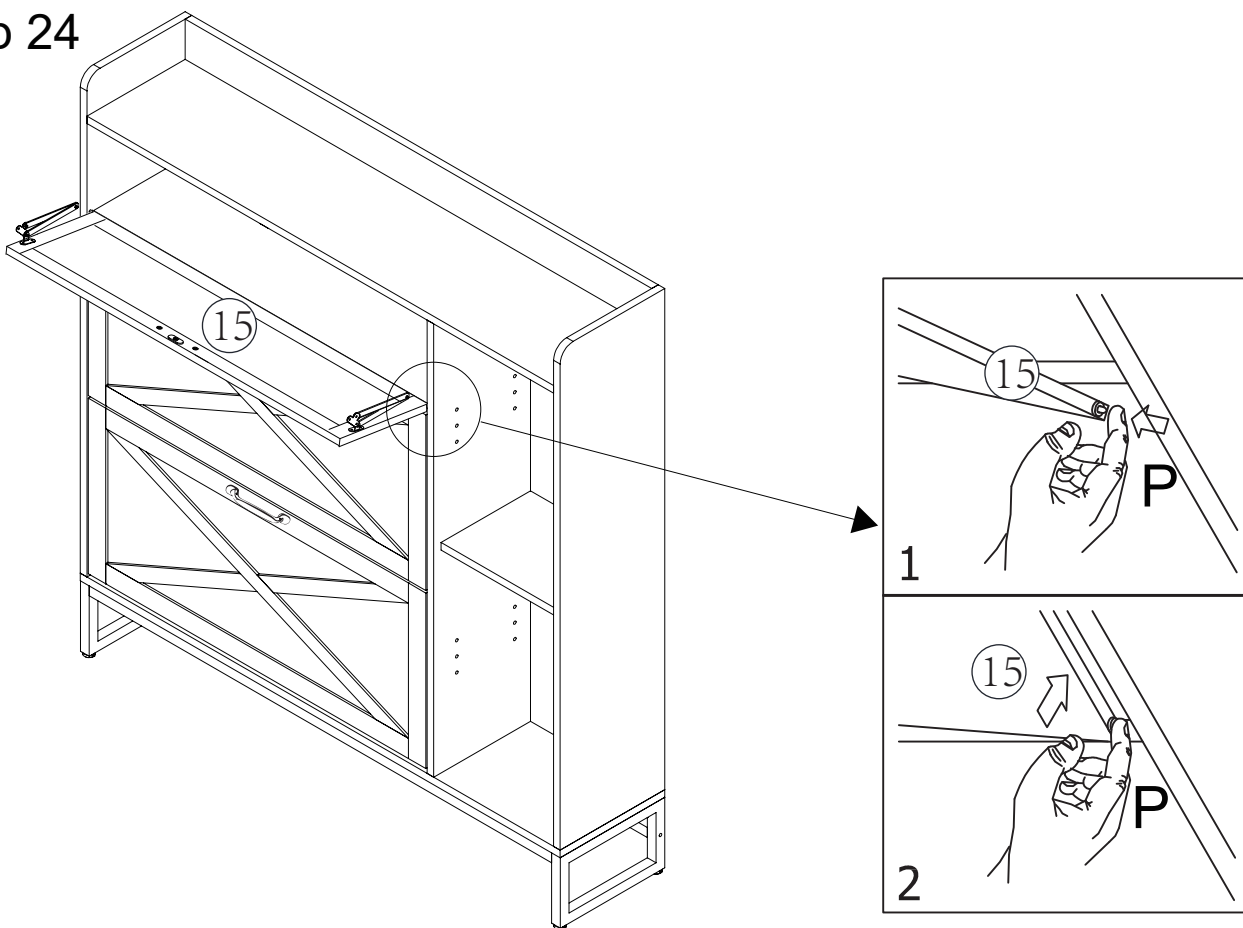


PRODUCT ASSEMBLY

Step 23



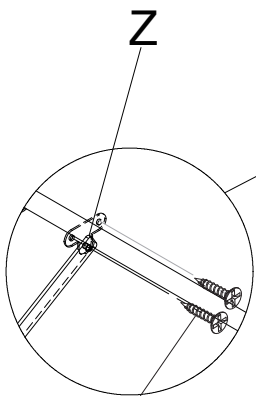
Step 24



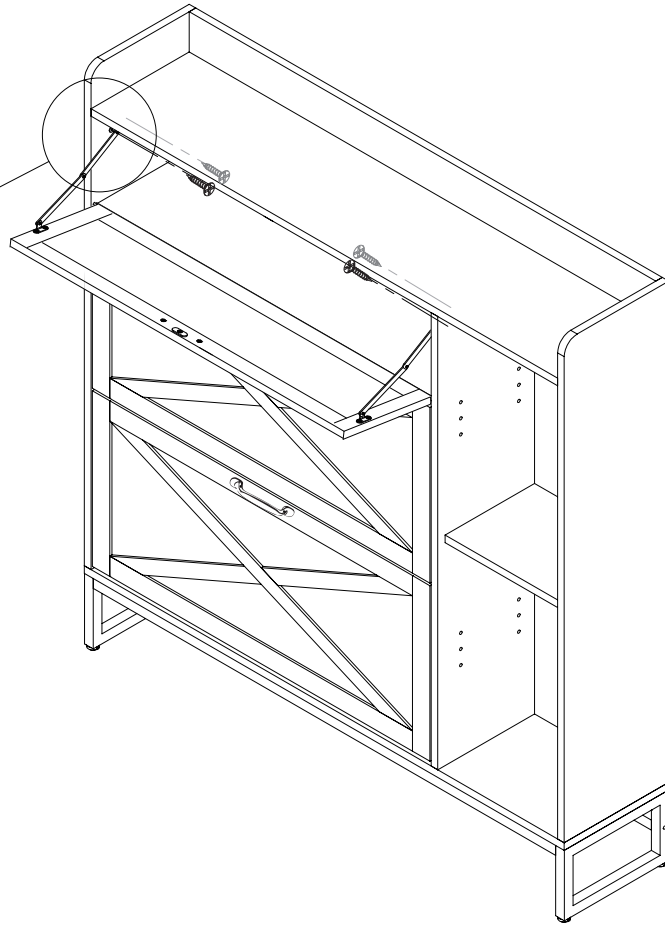
PRODUCT ASSEMBLY

Step 25

M  4 pcs

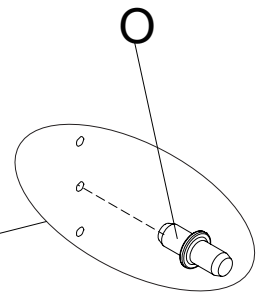
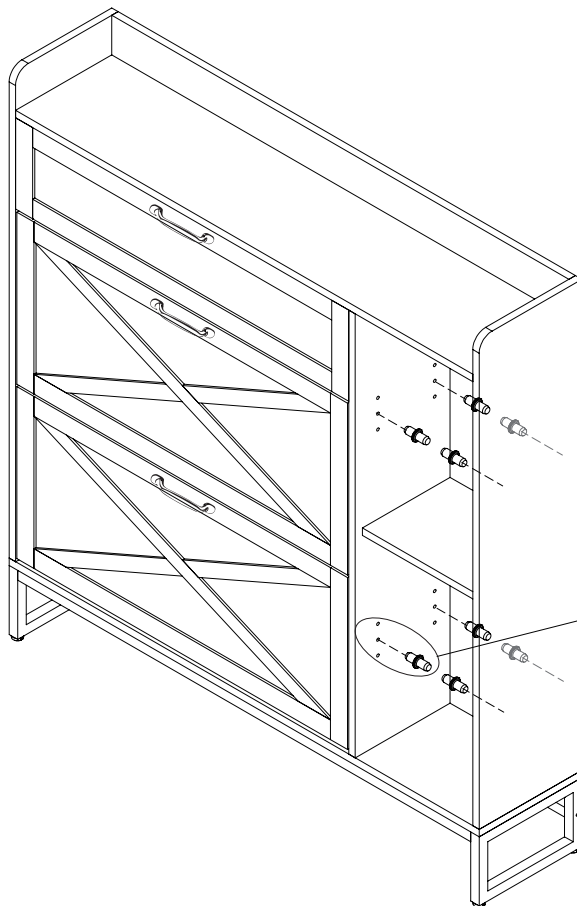


M



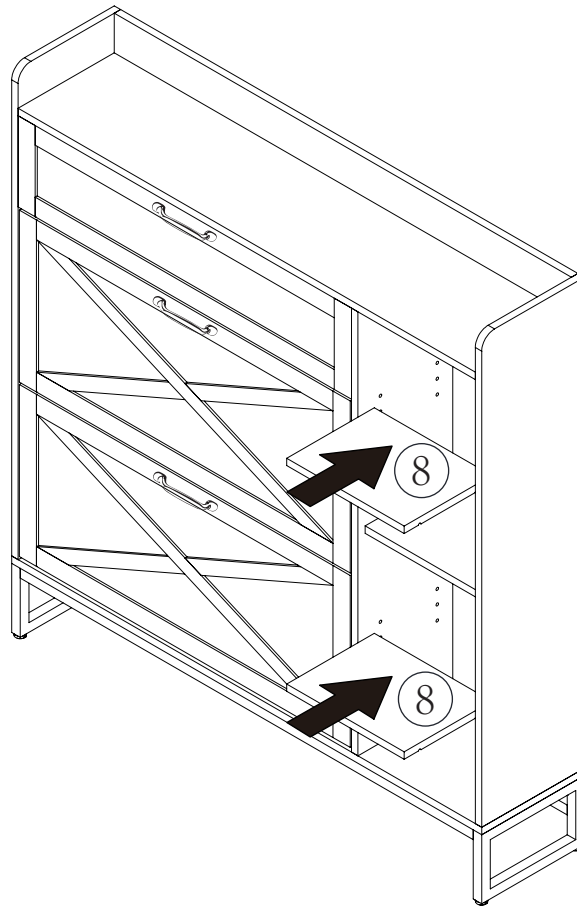
Step 26

O  8 pcs

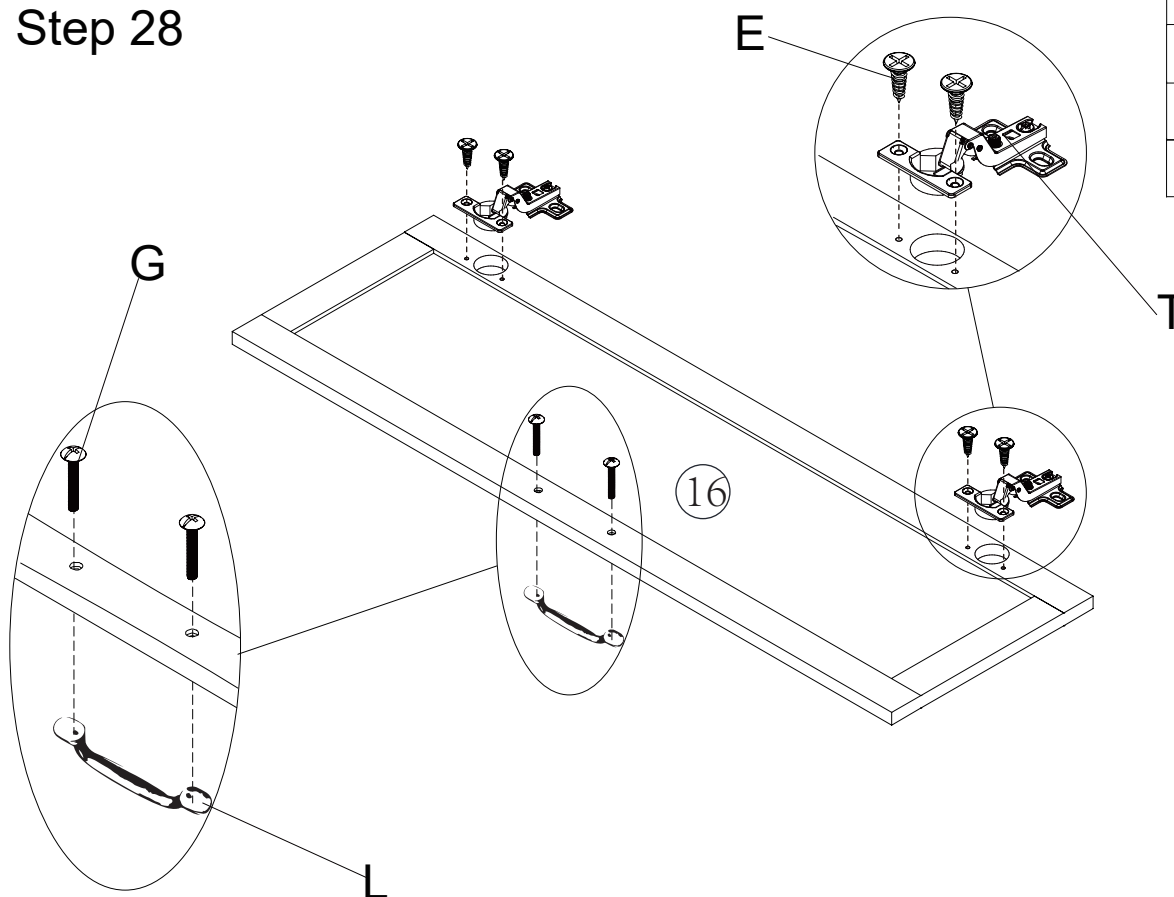






PRODUCT ASSEMBLY

Step 27



Step 28

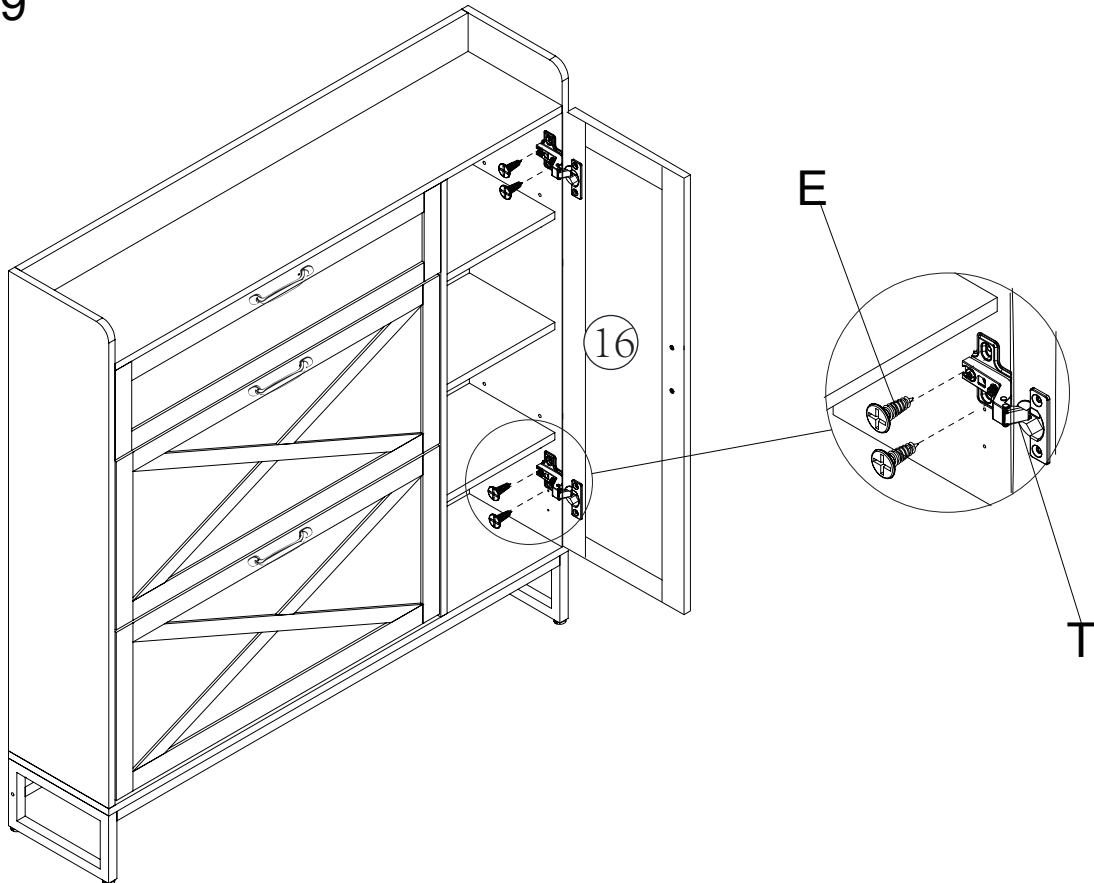


E		4 pcs
G		2 pc
L		1 pc
T		2 pcs

PRODUCT ASSEMBLY

Step 29

E  4pcs

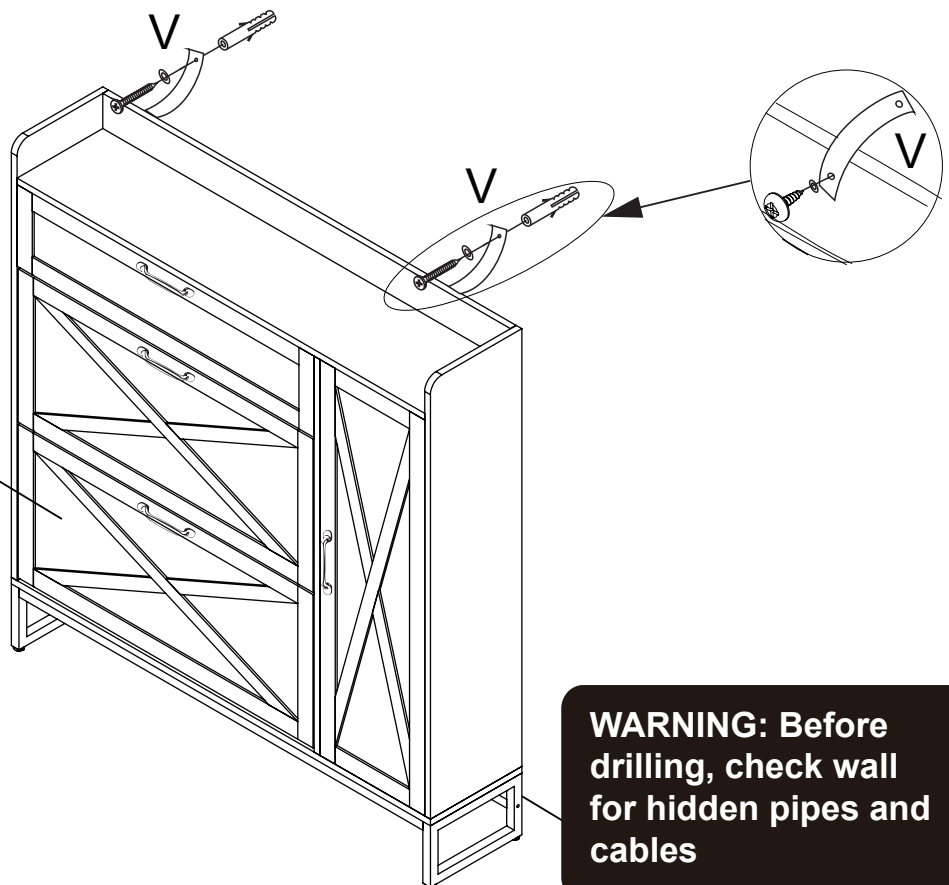


Step 30

V  2 sets

WARNING!

IN ORDER TO PREVENT OVERTURNING THIS PRODUCT MUST BE USED WITH THE WALL ATTACHMENT DEVICE PROVIDED



WARNING: Before drilling, check wall for hidden pipes and cables

A Guide to Wall Mounting & Fixings

Important note:

If plastic wall plugs (rawl plugs) are supplied with your product, eg:



- these are suitable for use in masonry walls

If you are in any doubt about the correct wall plugs for your wall, seek professional advice.

Failure of the product due to using the incorrect fixings is the responsibility of the installer.



Important: when drilling into walls always check that there are no hidden wires or pipes etc.



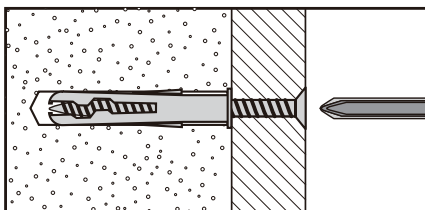
Hints:

1. General rule: always use a larger screw and wall plug if you are not sure.
2. Ensure you use the recommended drill bit to match the wall plug and hole size.
3. Ensure you drill the hole horizontally; do not force the drill or enlarge the hole.
4. Take extra care when drilling high walls, ceilings and ceramic tiles. Ensure wall plugs are inserted beyond the thickness of the ceramic tiles to avoid the tiles splitting or cracking.
5. Ensure wall plugs are well fitted and are a tight fit in the drilled hole.

Types of walls

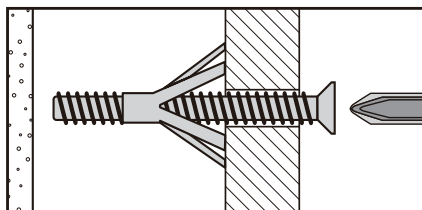
You can use one of the following types of wall plug if your walls are made of brick, breeze block, concrete, stone or wood.

No. 1 "General Purpose" wall plug



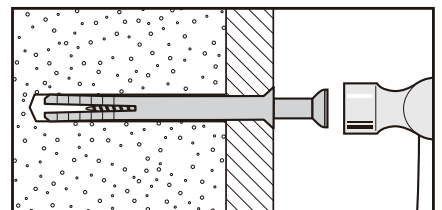
Generally aerated blocks should not be used to support heavy loads, use a specialist fitting in this case. For light loads, general purpose wall plugs can be used.

No. 3 "Cavity Fixing" wall plug



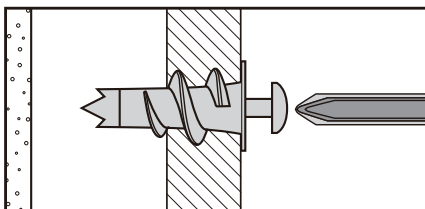
For use with plasterboard partitions or hollow wooden doors.

No. 5 "Hammer Fixing" wall plug



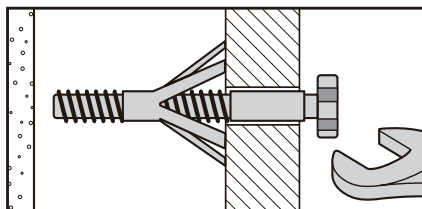
For use with walls stuck with plasterboard. The hammer fixing allows it to be fixed to the wall rather than the plasterboard. Always check the fixing is secure to the retaining wall.

No. 2 "Plasterboard" wall plug



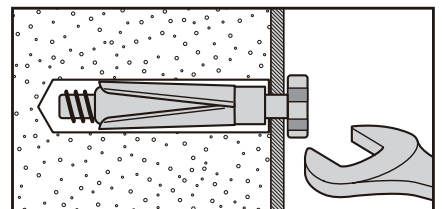
For use when attaching light loads onto plasterboard partitions.

No. 4 "Cavity Fixing - Heavy Duty" wall plug



For use when fitting or supporting heavy loads such as shelving, wall cabinets and coat racks.

No. 6 "Shield Anchor" wall plug - heavy loads



For use with heavier loads such as TV and HiFi speakers and satellite dishes etc.



Care & Maintenance

Safety: Always check the fitting and location to ensure your safety in and around the home.

Fitting: From time to time check the fitting to ensure the wall plugs or screws do not become loose.