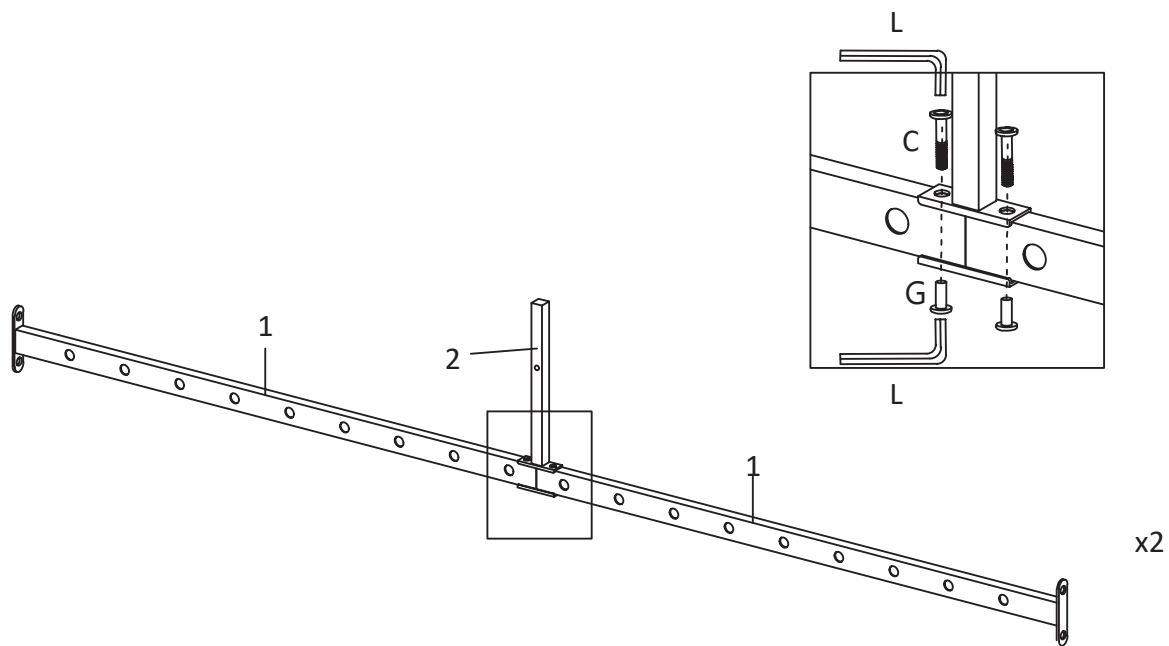
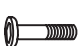



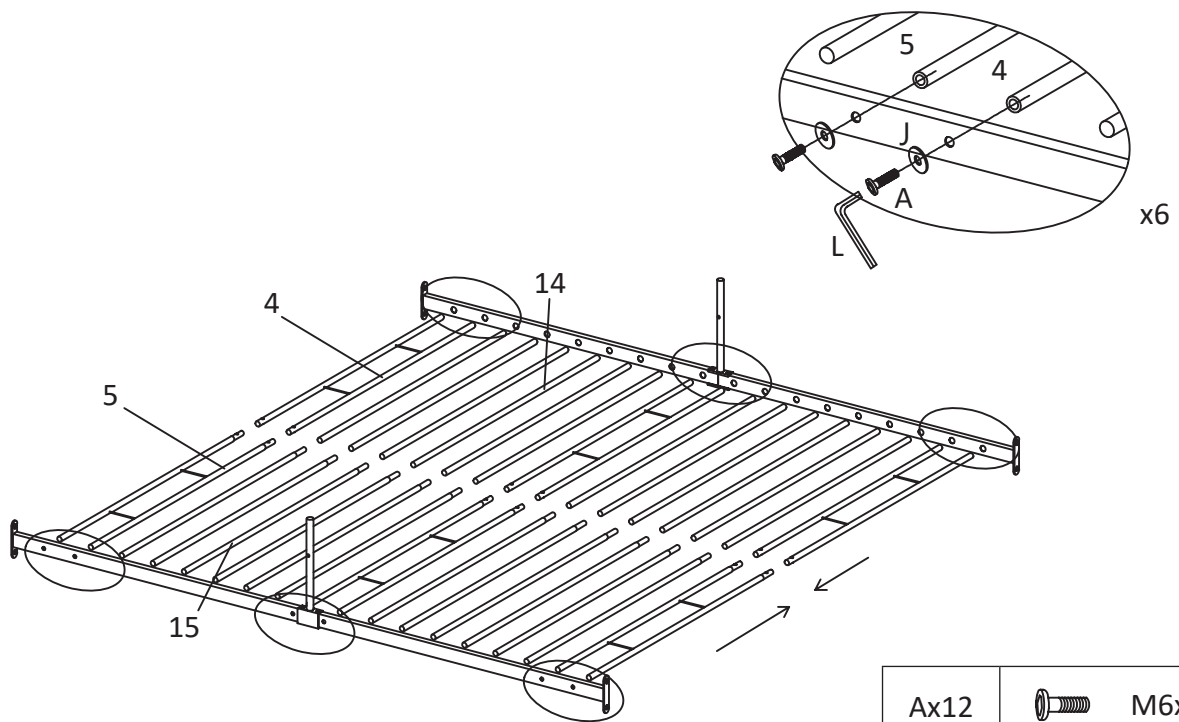
① x4 		② x2 		③ x2 		④ x3 		⑤ x3 		⑥ x2 	
⑦ x2 		⑧ x2 		⑨ x2 		⑩ x1 		⑪ x4 		⑫ x1 	
⑬ x6 		⑭ x12 		⑮ x12 		⑯ x4 		Ax18 M6x $\frac{15}{0.6}$		Bx2 M6x $\frac{20}{0.8}$	
Cx10 M6x $\frac{35}{1.4}$		Dx4 M6x $\frac{55}{2.2}$		Ex12 M8x $\frac{35}{1.4}$		Fx1 M6x $\frac{50}{2.0}$		Gx20 M6x $\frac{18}{0.7}$		Hx8 M8x $\frac{18}{0.7}$	
Jx38 		Kx16 		Lx2 M6		Mx2 M8		Nx4 		Ox7 	
Px6 M6x $\frac{10}{0.4}$		Ox6 M6x $\frac{30}{1.2}$		mm inch		x2					



1



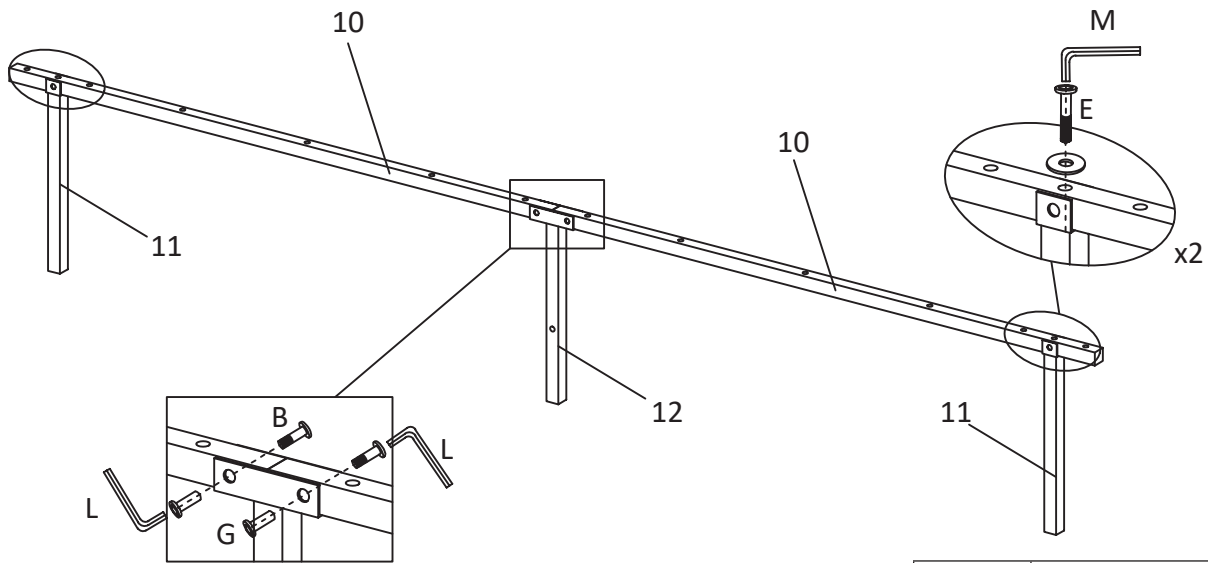
Cx4		M6x $\frac{35}{1.4}$
Gx4		M6x $\frac{18}{0.7}$

2



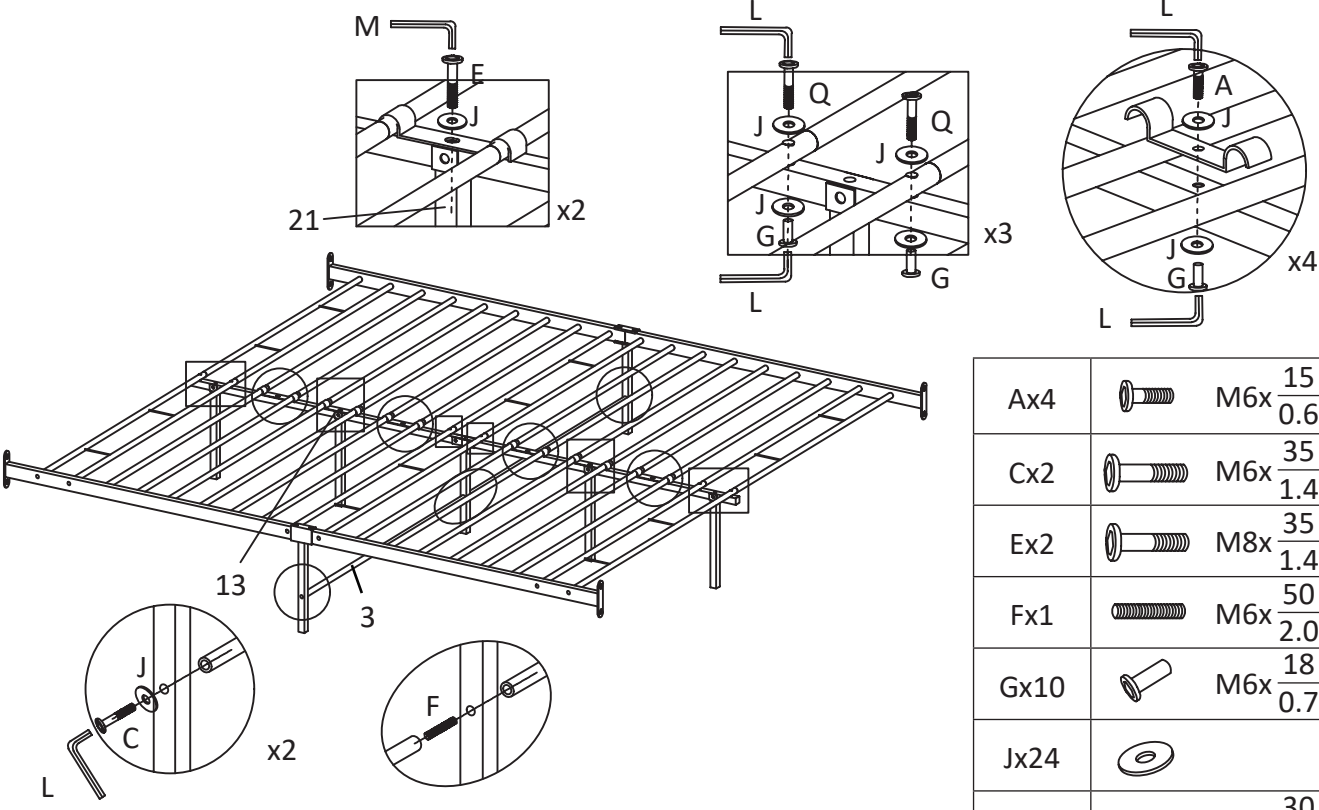
Ax12		M6x $\frac{15}{0.6}$
Jx12		

3



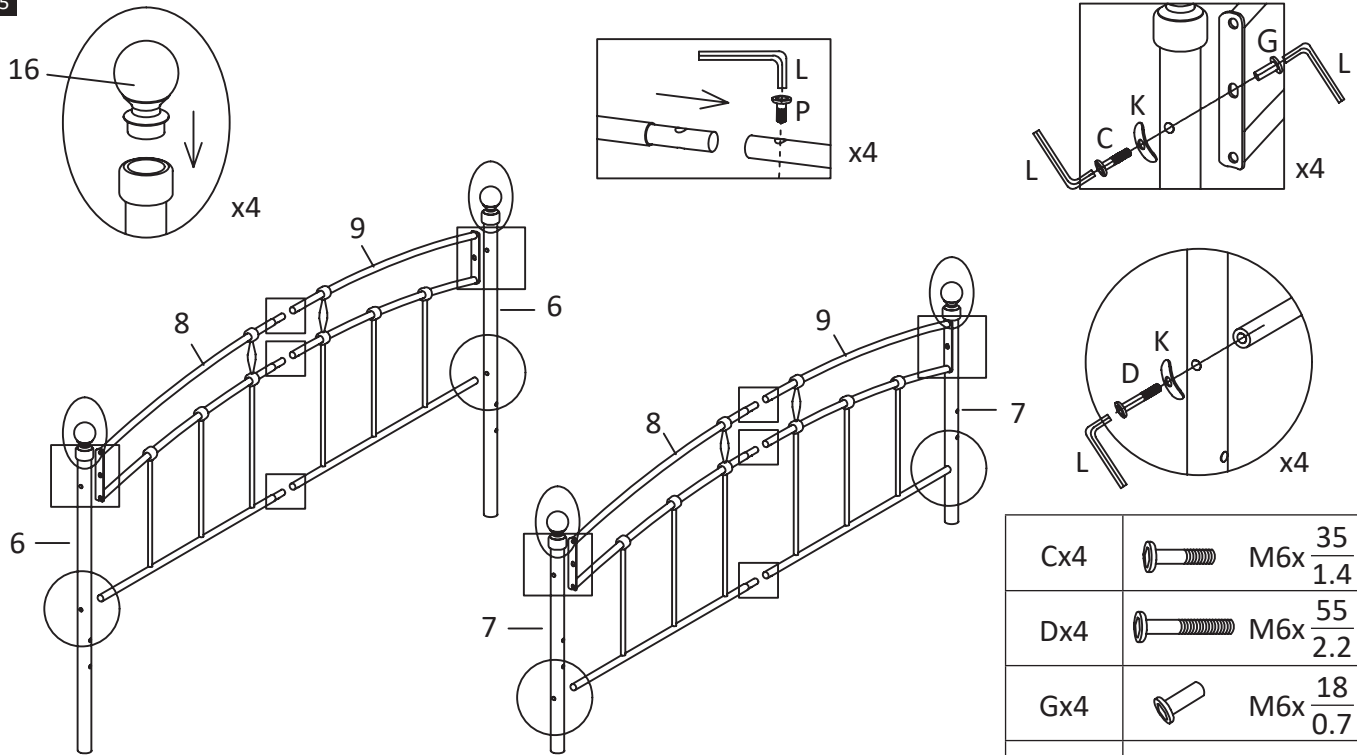
Bx2		M6x $\frac{20}{0.8}$
Ex2		M8x $\frac{35}{1.4}$
Gx2		M6x $\frac{18}{0.7}$
Jx2		

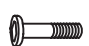
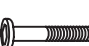



4



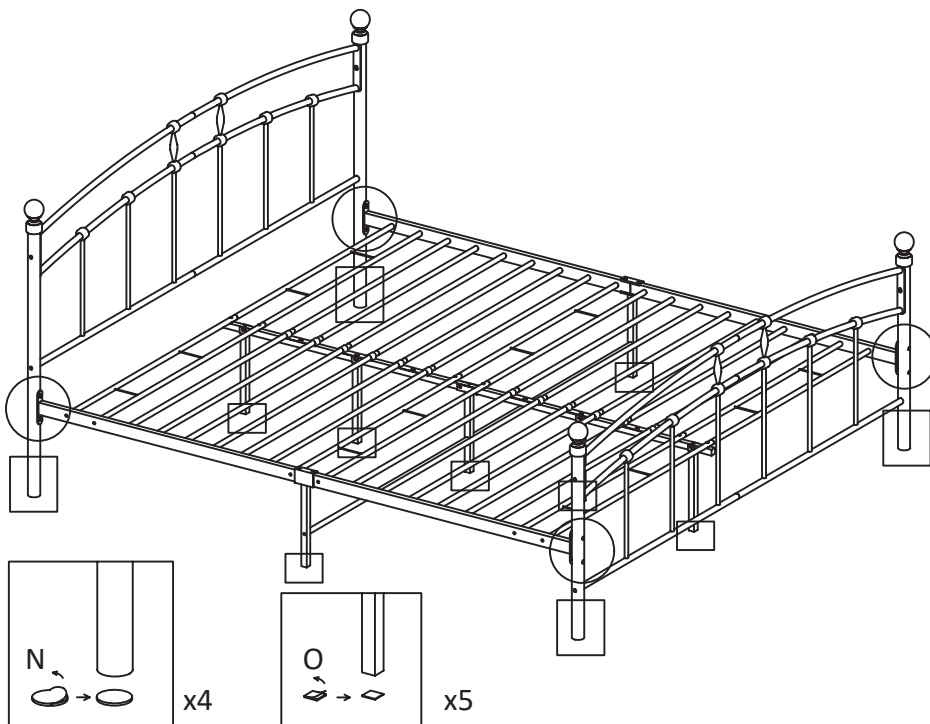
Ax4		M6x $\frac{15}{0.6}$
Cx2		M6x $\frac{35}{1.4}$
Ex2		M8x $\frac{35}{1.4}$
Fx1		M6x $\frac{50}{2.0}$
Gx10		M6x $\frac{18}{0.7}$
Jx24		
Qx6		M6x $\frac{30}{1.2}$

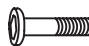



5



Cx4		M6x $\frac{35}{1.4}$
Dx4		M6x $\frac{55}{2.2}$
Gx4		M6x $\frac{18}{0.7}$
Kx8		
Px6		M6x $\frac{10}{0.4}$

6



Ex8		M8x $\frac{35}{1.4}$
Hx8		M8x $\frac{18}{0.7}$
Kx8		
Nx4		
Ox5	